

**FIGURE 1**

**ENGINE ASSEMBLY**

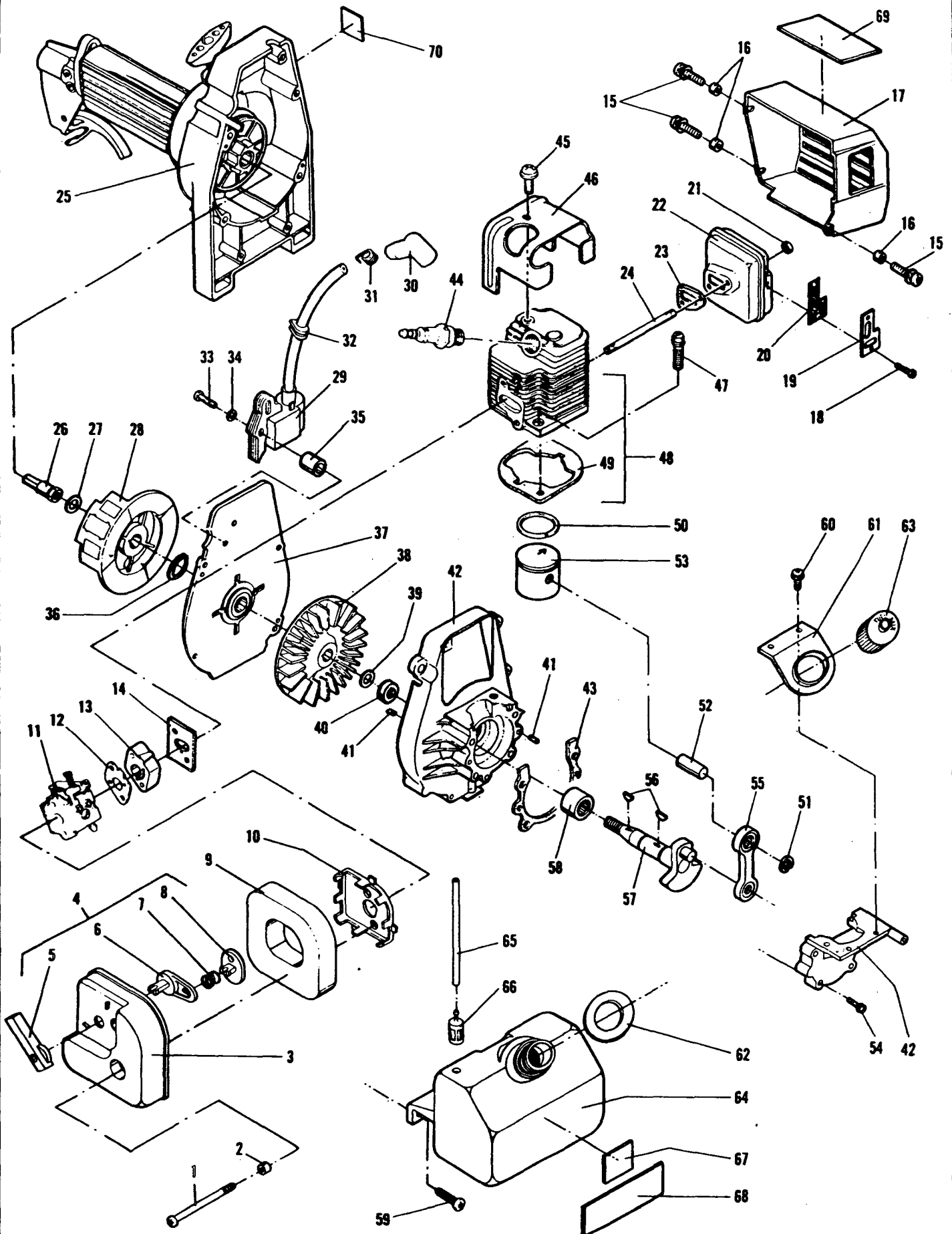


FIGURE 1 ENGINE ASSEMBLY

| ITEM NO. | STK. CODE | PART NUMBER | DESCRIPTION                              | UNITS | ITEM NO. | STK. CODE | PART NUMBER | DESCRIPTION                             | UNITS |
|----------|-----------|-------------|--|-------|----------|-----------|-------------|---|-------|
| 1        | B         | 219078      | Screw-PN M5x69<br>(18-23 in. lb. torque) | 2     | 38       | A         | 219498      | Fan-Cooling                             | 1     |
| 2        | A         | 219023      | Insert-A/C Cover                         | 2     | 39       | A         | 222837      | Washer                                  | 1     |
| 3        | A         | 223196      | Cover Assembly-Choke                     | 1     | 40       | C         | 83859       | Seal-Crankshaft/Oil                     | 1     |
| 4        | A         | 223520      | . Kit, Choke Knob                        | 1     | 41       | A         | 213191      | Pin                                     | 4     |
| 5        | --        | --          | .. Lever-Choke                           | 1     | 42       | A         | 222879      | Crankcase Assembly                      | 1     |
| 6        | --        | --          | .. Lever-Shutter                         | 1     | 43       | B         | 215545      | Gasket-Crankcase                        | 1     |
| 7        | A         | 219016      | .. Spring-Shutter                        | 1     | 44       | C         | 62345       | Plug-Spark DJBJ                         | 1     |
| 8        | --        | --          | .. Shutter-Choke                         | 1     | 45       | B         | 213178      | Screw-M5x8.5<br>(15-25 in. lb. torque)  | 1     |
| 9        | C         | 219145      | Filter-Air (Foam)                        | 1     | 46       | B         | 215540      | Cover-Cylinder                          | 1     |
| 10       | B         | 222758      | Box-Air                                  | 1     | 47       | B         | 217320      | Screw-M6x18<br>(70-80 in. lb. torque)   | 2     |
| 11       | FIGURE 3  |             | Carburetor                               | 1     | 48       | A         | 223716      | Kit-Cyl (Alum)/Gasket                   | 1     |
| 12       | C         | 218933      | Gasket-Spacer                            | 1     | 49       | B         | 215542      | . Gasket-Cylinder/C'Case                | 1     |
| 13       | B         | 219070      | Insulator-Carb/C'Case                    | 1     | 50       | B         | 223455      | Ring-Piston                             | 1     |
| 14       | B         | 216575      | Gasket Shield-Insulator                  | 1     | 51       | B         | 111026      | Ring-Snap                               | 2     |
| 15       | C         | 219508      | Screw-M4x17<br>(13-15 in. lb. torque)    | 3     | 52       | B         | 218275      | Pin-Wrist                               | 1     |
| 16       | C         | 219079      | Spacer-Muffler Shield                    | 3     | 53       | B         | 222836      | Piston (Plated)                         | 1     |
| 17       | B         | 218962      | Shield-Muffler (Plastic)                 | 1     | 54       | B         | 213179      | Screw M5x28.5<br>(35-40 in. lb. torque) | 4     |
| 18       | B         | 219194      | Screw 5-20x.438<br>(12-16 in lb. torque) | 2     | 55       | A         | 223744      | Connecting Rod Assembly                 | 1     |
| 19       | B         | 219150      | Cover-Screen                             | 1     | 56       | C         | 102164      | Key-Flywheel                            | 2     |
| 20       | B         | 219149      | Screen-Spark Arrester                    | 1     | 57       | A         | 219489      | Crankshaft Assembly                     | 1     |
| 21       | C         | 222247      | Nut-Stud<br>(41-50 in. lb. torque)       | 2     | 58       | B         | 213282      | Bearing-Crankshaft                      | 2     |
| 22       | A         | 219152      | Muffler Assembly                         | 1     | 59       | B         | 218644      | Screw-Pan M4x12                         | 2     |
| 23       | B         | 215515      | Gasket-Muffler                           | 1     | 60       | B         | 120001      | Screw-PN MAX 12.0                       | 2     |
| 24       | B         | 222480      | Stud-Muffler                             | 2     | 61       | A         | 222873      | Bracket-Fuel Tank                       | 1     |
| 25       | FIGURE 2  |             | Starter Assembly                         | 1     | 62       | A         | 222874      | Cushion-Fuel Tank                       | 1     |
| 26       | A         | 222849      | Coupling                                 | 1     | 63       | C         | 222347-01   | Cap-Fuel                                | 1     |
| 27       | A         | 110879      | Washer                                   | 1     | 64       | A         | 222912      | Tank Assembly-Fuel                      | 1     |
| 28       | A         | 222941      | Flywheel/Pawl Assembly                   | 1     | 65       | C         | 217264      | . Hose-Fuel                             | 1     |
| 29       | C         | 219848      | Ignition Assembly (Cream)                | 1     | 66       | C         | 216985      | . Pick-up-Fuel                          | 1     |
| 30       | B         | 95266       | . Boot-Sparkplug                         | 1     | 67       | A         | 217383      | Decal-40:1                              | 1     |
| 31       | B         | 102556      | . Connector-Spark                        | 1     | 68       | A         | 222506      | Decal-Storage                           | 1     |
| 32       | A         | 215533-01   | Grommet                                  | 1     | 69       | A         | 223215      | Decal-Starting                          | 1     |
| 33       | A         | 222944      | Screw                                    | 2     | 70       | A         | 223214      | Decal-Stop                              | 1     |
| 34       | A         | 213196      | Washer                                   | 2     |          |           |             |   |       |
| 35       | A         | 222877      | Spacer-Ignition Coil                     | 2     |          |           |             |   |       |
| 36       | A         | 222965      | Ring-Snap                                | 1     |          |           |             |   |       |
| 37       | A         | 222876      | Bulkhead Assembly                        | 1     |          |           |             |   |       |

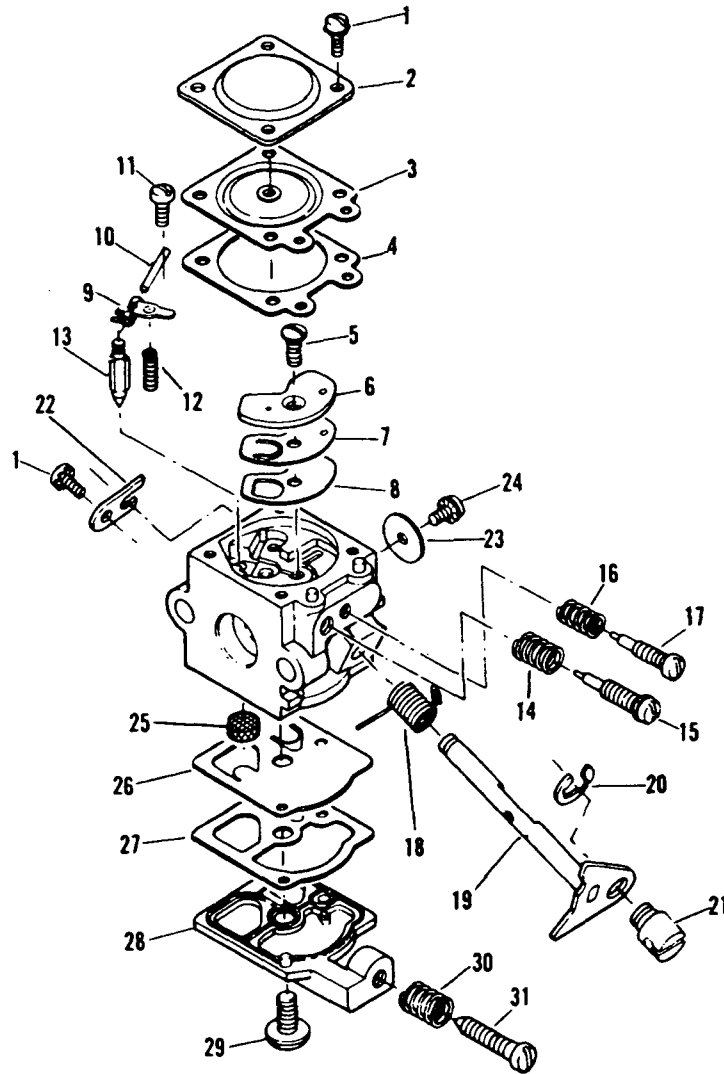


## FIGURE 2 GENERAL ASSEMBLY

| ITEM NO. | STK. CODE | PART NUMBER | DESCRIPTION                              | UNITS | ITEM NO. | STK. CODE | PART NUMBER | DESCRIPTION                               | UNITS |
|----------|-----------|-------------|--|-------|----------|-----------|-------------|---|-------|
| 1        | A         | 222930      | Starter Assembly                         | 1     | 31       | C         | 217937      | Screw 10-24x1                             | 1     |
| 2        | A         | 222931      | . Screw-Trigger Housing                  | 2     | 32       | B         | 218315      | Nut                                       | 1     |
| 3        | A         | 223200      | . Screw-Self Tapping                     | 1     | 33       | B         | 215874      | Screw M4x9.5                              | 1     |
| 4        | B         | 216027      | . Screw-M5x28.5                          | 1     | 34       | B         | 217672      | Washer M4 Flat                            | 1     |
| 5        | B         | 217159      | . Nut-Hex M5                             | 1     | 35       | B         | 222468      | Hsg. Assy.-Spindle                        | 1     |
| 6        | A         | 222832      | . Housing-Trigger                        | 1     | 36       | A         | 222402      | Washer-Thrust                             | 1     |
| 7        | C         | 215318      | . Trigger-Throttle                       | 1     | 37       | B         | 217477      | Coupling<br>(70 in. lbs. torque)          | 1     |
| 8        | A         | 222835      | . Guide-Throttle Cable                   | 1     | 38       | B         | 215314      | Shield-Grass                              | 1     |
| 9        | A         | 222834      | . Retainer-Cable                         | 1     | 39       | B         | 217936      | Screw 10-25x.75 TORX                      | 2     |
| 10       | A         | 222927      | . Cable-Throttle                         | 1     | 40       | C         | 216596      | Washer-Flat M6                            | 1     |
| 11       | A         | 222914      | . Button-Stop                            | 1     | 41       | C         | 218516      | Housing-Knife                             | 1     |
| 12       | A         | 222913      | . Spring-Stop Button                     | 1     | 42       | B         | 216595      | Screw-Hex M6x50                           | 1     |
| 13       | A         | 222926      | . Wire Assembly-Switch                   | 1     | 43       | B         | 215871      | Nut-Hex M6x1<br>(18-26 in. lb. torque)    | 1     |
| 14       | A         | 222907      | . Housing Assy-Starter                   | 1     | 44       | C         | 223734      | String Head Assy. (.095)                  | 1     |
| 15       | A         | 222833      | .. Cushion-Grip                          | 1     | 45       | A         | 223741      | . Cover-Spool                             | 1     |
| 16       | A         | 223385      | .. Guide-Rope                            | 1     | 46       | B         | 223736      | . Spool/Line Assy. (.095)                 | 1     |
| 17       | A         | 219024      | .. Spacer-Fan Housing                    | 4     | 47       | B         | 223740      | . Spring                                  | 1     |
| 18       | A         | 223357      | . Screw 8-16 Plastite                    | 1     | 48       | B         | 222403      | . Ring-Retaining                          | 1     |
| 19       | A         | 222911      | . Retainer-Pulley                        | 1     | 49       | B         | 222401      | . Washer-Plain                            | 1     |
| 20       | A         | 219496      | . Pulley-Starter                         | 1     | 50       | B         | 223737      | . Housing/Eyelet Assembly                 | 1     |
| 21       | B         | 222869      | . Starter Rope                           | 1     | 51       | A         | 223739      | .. Eyelet                                 | 1     |
| 22       | B         | 218941      | . Washer-Nylon                           | 1     | 52       | B         | 222400      | . Spindle                                 | 1     |
| 23       | C         | 216792      | . Handle-Starter                         | 1     | 53       | B         | 120041      | Screw-Hex M5x22<br>(18-26 in. lb. torque) | 2     |
| 24       | B         | 222797      | . Spring-Starter                         | 1     | 54       | B         | 217159      | Nut-Hex M5                                | 2     |
| 25       | C         | 217403      | Nut-Hex M6x1.0<br>(18-26 in. lb. torque) | 2     | 55       | A         | 217442      | Clamp-Delta Handle                        | 1     |
| 26       | C         | 216596      | Washer-Flat M6                           | 2     | 56       | A         | 217444      | Handle-Delta                              | 1     |
| 27       | A         | 223018      | Housing Assembly-Outer                   | 1     |          |           |             |   |       |
| 28       | A         | 218282      | . Sleeve                                 | 1     |          |           |             |   |       |
| 29       | C         | 218285      | Shaft-Flexible Drive 44"                 | 1     |          |           |             |   |       |
| 30       | A         | 218295      | Decal-Warning                            | 1     |          |           |             |   |       |

# FIGURE 3

# CARBURETOR ASSEMBLY



| ITEM NO. | STK. CODE | PART NUMBER | DESCRIPTION                   | UNITS |
|----------|-----------|-------------|-------------------------------|-------|
|          | B         | 215494      | ① Carburetor-(WA-146)         | 1     |
| 1        | --        | --          | . Screw-Cover                 | 1     |
| 2        | --        | --          | . Cover-Diaphragm             | 1     |
| 3        | --        | --          | ①②③ . Diaphragm-Metering      | 1     |
| 4        | --        | --          | ①②③ . Gasket-Diaphragm        | 1     |
| 5        | --        | --          | ② . Screw-Circuit Plate       | 1     |
| 6        | --        | --          | . Plate-Circuit               | 1     |
| 7        | --        | --          | ①②③ . Diaphragm-Circuit Plate | 1     |
| 8        | --        | --          | ①②③ . Gasket-Circuit Plate    | 1     |
| 9        | --        | --          | ①② . Lever-Metering           | 1     |
| 10       | --        | --          | ①② . Pin-Lever                | 1     |
| 11       | --        | --          | ①② . Screw-Lever Pin          | 1     |
| 12       | --        | --          | ①② . Spring-Lever             | 1     |
| 13       | --        | --          | ①② . Valve-Inlet Needle       | 1     |
| 14       | 229606    | ①           | . Spring-High Speed Needle    | 1     |
| 15       | 229612    | ①           | . Needle-High Speed           | 1     |

| ITEM NO. | STK. CODE | PART NUMBER | DESCRIPTION                | UNITS |
|----------|-----------|-------------|----------------------------|-------|
| 16       |           | 229607      | ① . Spring-Idle Needle     | 1     |
| 17       |           | 229605      | ① . Needle-Idle            | 1     |
| 18       | --        | --          | ① . Spring-Throttle Return | 1     |
| 19       | --        | --          | . Shaft-Throttle           | 1     |
| 20       | --        | --          | . Clip                     | 1     |
| 21       | --        | --          | . Swivel                   | 1     |
| 22       | --        | --          | . Clip-Throttle Shaft      | 1     |
| 23       | --        | --          | . Valve-Throttle           | 1     |
| 24       | --        | --          | ① . Screw-Throttle Valve   | 1     |
| 25       | --        | --          | ①② . Screen-Inlet          | 1     |
| 26       | --        | --          | ①②③ . Diaphragm-Fuel Pump  | 1     |
| 27       | --        | --          | ①②③ . Gasket-Fuel Pump     | 1     |
| 28       | 226043    |             | . Cover-Fuel Pump          | 1     |
| 29       | --        | --          | . Screw-Pump Cover         | 1     |
| 30       | 226041    |             | . Spring-Idle Screw        | 1     |
| 31       | 226042    |             | . Screw-Idle Adjusting     | 1     |

1. Contained in Major Repair Kit, P/N 222953 (Code A)
2. Contained in Minor Repair Kit, P/N 229198 (Code B)
3. Contained in Gasket/Diaphragm Kit, P/N 229191 (Code A)