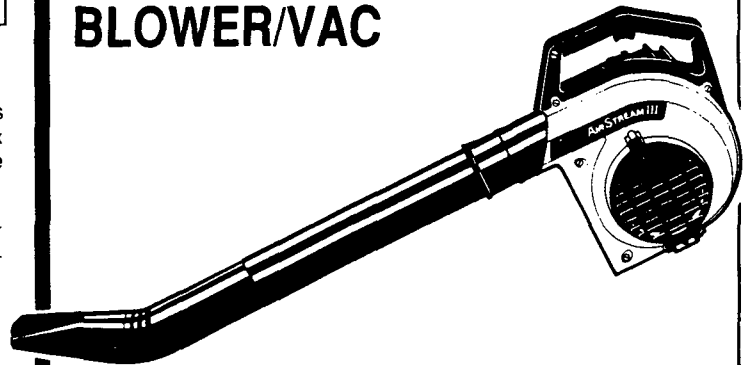


ILLUSTRATED PARTS LIST

MODEL NAMES	SERIAL NUMBER PREFIX	MODELS
Super Air Stream III	13-	400048-03
Super Air Stream IV	13-	400048-04
Eager Beaver III	13-	400048-05
Eager Beaver IV	13-	400048-06

EAGER BEAVER® III & IV SUPER AIR STREAM™ III & IV GAS BLOWER & BLOWER/VAC



McCulloch products are identified by a model number (in this instance 400048) followed by a suffix number (03 or 04). Suffix numbers denote variations in parts or assemblies used in the manufacture of this product.

Illustrated Parts Lists (IPLs) contain a **PART NUMBER**, **DESCRIPTION**, **UNITS** per assembly and **STOCKING CODE** for each part. **Stocking Codes** are:

- A - Factory stocked. Slow moving part.
- B - Distributor stocked. Medium to slow moving part.
- C - Dealer stocked. Fast to medium moving part.
- D - Indicates a McCulloch service tool.

NOTE: The following explains symbols/footnotes in this IPL.

(-) A dash preceding a **PART NUMBER** indicates that it is a new part number, different from the one listed in the previous IPL for this unit.

(. .) One or more dots (. Spring-Starter) preceding a part **DESCRIPTION** indicates the part is included in the kit or assembly described directly above the dot(s).

(- - -) If four dashes appear in place of a **PART NUMBER**, the part is not available individually but is included in the next higher assembly or subassembly.

① ② Circled numbers preceding a **DESCRIPTION** footnote the part or assembly to additional information on the page.

(*) An asterisk draws attention to general information.

The policy of McCulloch Corporation is one of continual improvement in design, manufacturing and engineering advancement wherever possible to assure still finer power tools. Hence, specifications, equipment, colors, design and manufacturer's suggested list prices are subject to change without notice. McCulloch Corporation reserves the right to make such changes without prior notification or obligation to backfit or supply backfit components for units previously shipped from the factory.

CONTENTS

	PAGE
FIGURE 1 Powerhead Assembly	2
FIGURE 2 General Assembly	4
FIGURE 3 Accessories	5
FIGURE 4 Carburetor Assembly	6
FIGURE 5 Specifications	7
FIGURE 6 Tools/Lubrication	7

NOVEMBER 1990



**McCULLOCH
CORPORATION**

P.O. Box 11990 • Tucson, Arizona 85734

219272-02

© U.S.A. - McCulloch Corporation, 1990 • Printed in U.S.A.

FIGURE 1 ENGINE ASSEMBLY

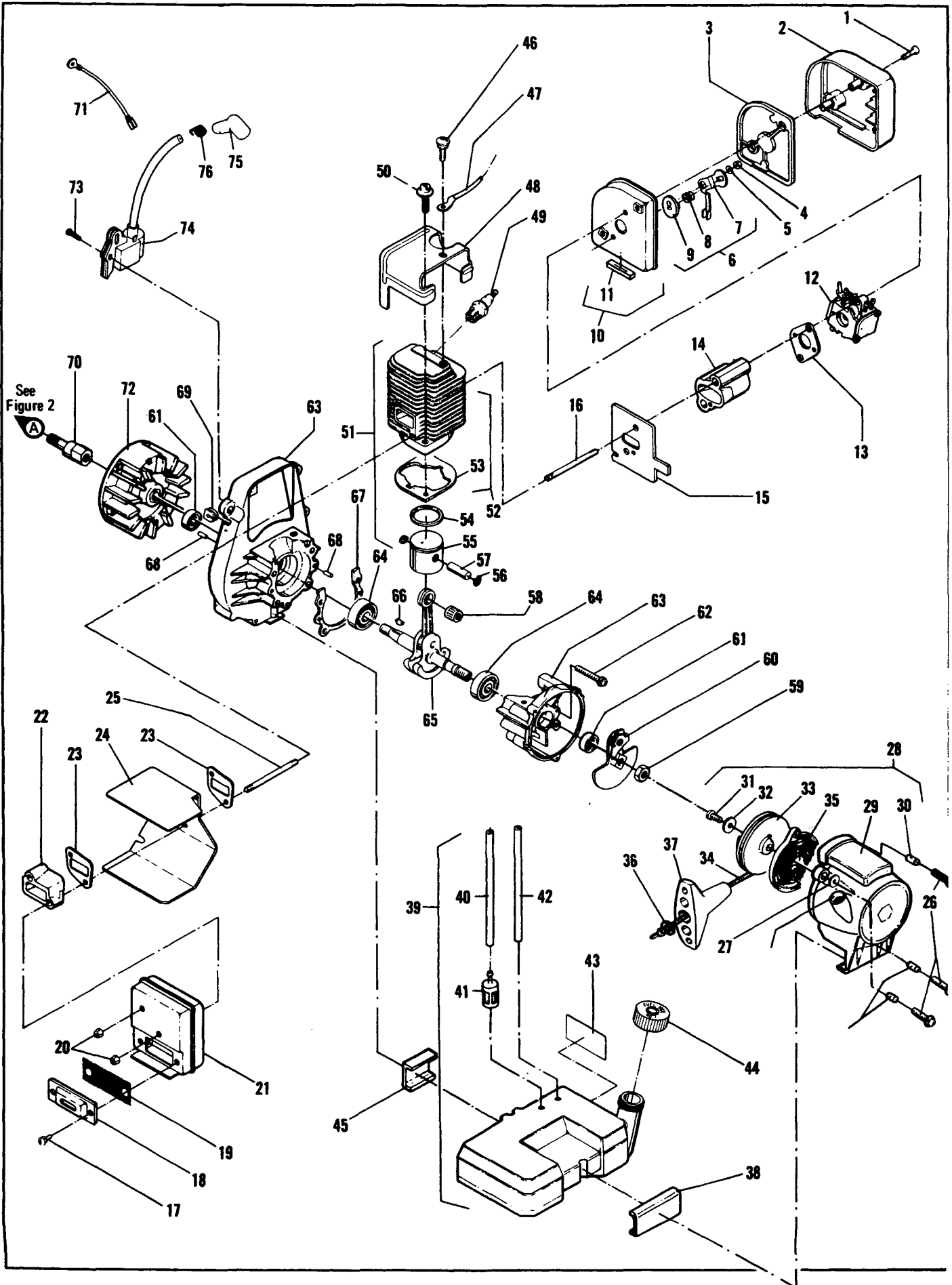


FIGURE 1 ENGINE ASSEMBLY

BLOWER/VAC

ITEM NO.	STK. CODE	PART NUMBER	DESCRIPTION	UNITS PER ASY.
1	C	217669	Screw-M4x25 Torx (6-9 in. lb. torque)	2
2	B	215988	Cover-Air Cleaner	1
3	C	217376	Filter Assembly-Air	1
4	C	222247	Nut-Stud	2
5	B	215993	Spacer	1
6	A	-223730	Kit, Choke Assy	1
7	--	--	. Shutter, Choke Lever	1
8	A	-219016	. Shutter Spring	1
9	--	--	. Shutter	1
10	B	216108	Air Box/Grommet Asy.	1
11	B	215992	. Grommet-Choke	1
12		Fig. 4	Carburetor Assembly	1
13	C	-218933	Gasket-Spacer	1
14	B	219171	Insulator-Carburetor	1
15	B	218918	Gasket/Shield Insulator	1
16	B	222481	Stud-Muffler	2
17	C	216025	Screw-M4x8 Torx Sems (3-5 in. lb. torque)	2
18	A	218553	Outlet-Muffler	1
19	B	215516	Screen-Spark Arrestor	1
20	C	222247	Nut-Stud (41-50 in. lb. torque)	2
21	A	218651	Muffler Assembly	1
22	A	218632	Spacer-Muffler	1
23	B	218920	Gasket-Muffler	2
24	A	218652	Shield-Muffler	1
25	B	222481	Stud-Muffler (41-50 in. lb. torque)	2
26	C	216022	Screw-M4x23.4 Torx (22-31 in. lb. torque)	3
27	B	217672	Washer-M4 Flat	3
28	A	219590	Starter Assembly	1
29	A	-223331	. Housing-Starter Asy.	1
30	C	219585	.. Spacer-Housing Starter	3
31	C	215874	. Screw-M4x9.5 Torx	1
32	B	216590	. Washer-M4 Flat	1
33	C	210092	. Drum/Rope Assembly	1
34	B	216093	.. Rope-Starter 36"	1
35	C	217482	. Spring-Starter	1
36	B	218941	. Washer-Nylon	1
37	C	216792	. Handle-Starter	1
38	C	217382	Cushion-Fuel Tank/Starter	1
39	A	-219901	Fuel Tank Assembly	1
40	B	-219899	. Hose-Fuel Inlet	1

ITEM NO.	STK. CODE	PART NUMBER	DESCRIPTION	UNITS PER ASY.
41	C	216985	. Pickup-Fuel	1
42	A	-219897	. Hose-Fuel Return	1
43	C	217383	Decal-40:1	1
44	C	-222347-01	Cap-Fuel	1
45	C	217390	Cushion-Fuel Tank/C'Case	1
46	B	213178	Screw-M5x8.5 Sems (15-26 in. lb. torque)	1
47	A	218649	Terminal Assembly-Ground	1
48	A	218586	Cover-Cylinder	1
49	C	62345	Plug-Spark	1
50	B	217320	Screw-M6x18 Torx (71-81 in. lb. torque)	2
51	B	222594	① Cylinder/Piston Kit	1
52	B	219084	① . Kit Cyl(Plated)/Gasket	1
53	C	215542	.. Gasket Cylinder	1
54	C	217475	. Ring-Piston	1
55	B	218264	① . Piston (Alum)	1
56	B	111026	. Ring-Snap	2
57	B	218275	. Pin-Wrist	1
58	B	110984	Bearing-Needle	1
59	B	216583	Nut-Hex M8 (150-168 in. lb. torque)	1
60	C	215525	Ratchet Assembly (Hand Tighten Only)	1
61	C	83859	Seal-Oil	2
62	C	216027	Screw-M5x28.5 Sems (35-43 in. lb. torque)	4
63	A	218185	Crankcase Assembly	1
64	C	213282	Bearing-C' Shaft/C'Case	2
65	B	218106-01	Crankshaft/Conn Rod Asy.	1
66	C	102164	Key-Flywheel	1
67	B	215545	Gasket-Crankcase	1
68	B	213191	Pin	4
69	B	215541	Grommet	1
70	A	218654	Extension-Shaft (150-168 in. lb. torque)	1
71	B	219383	Wire Asy-Switch	1
72	B	222308	Flywheel	1
73	C	216022	Screw-4x23.4 Torx (30-35 in. lb. torque)	2
74	B	219848	Ignition Assembly	1
75	B	95266	. Boot-Spark Plug	1
76	B	102556	. Connector	1

① Because both Chrome and Aluminum Cylinders were used on 12- and -13 Level units, it is essential that both Cylinder and Piston be replaced simultaneously. Kit, P/N 222594 (item number 51) should be ordered.

FIGURE 2 GENERAL ASSEMBLY

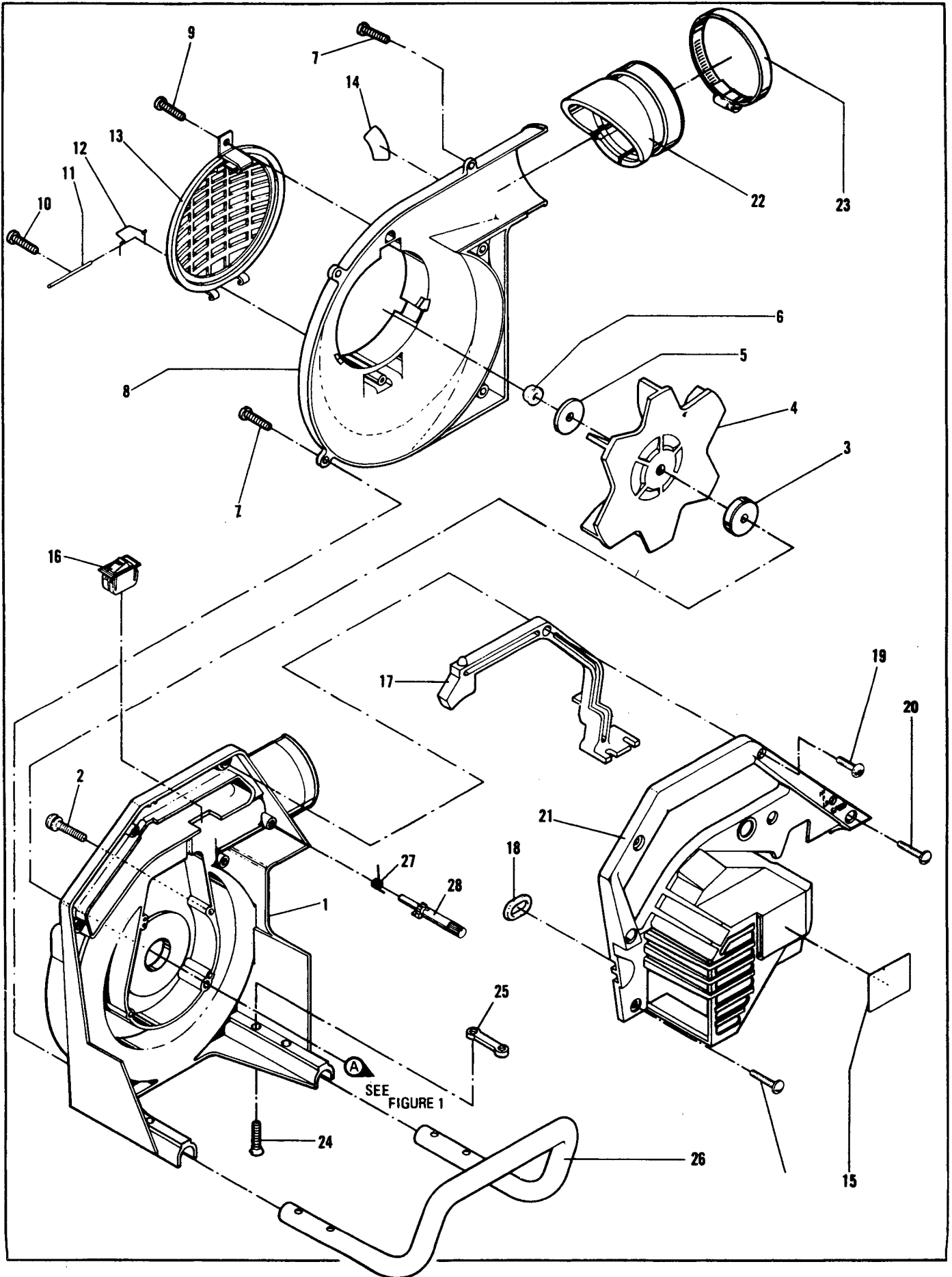


FIGURE 2 GENERAL ASSEMBLY

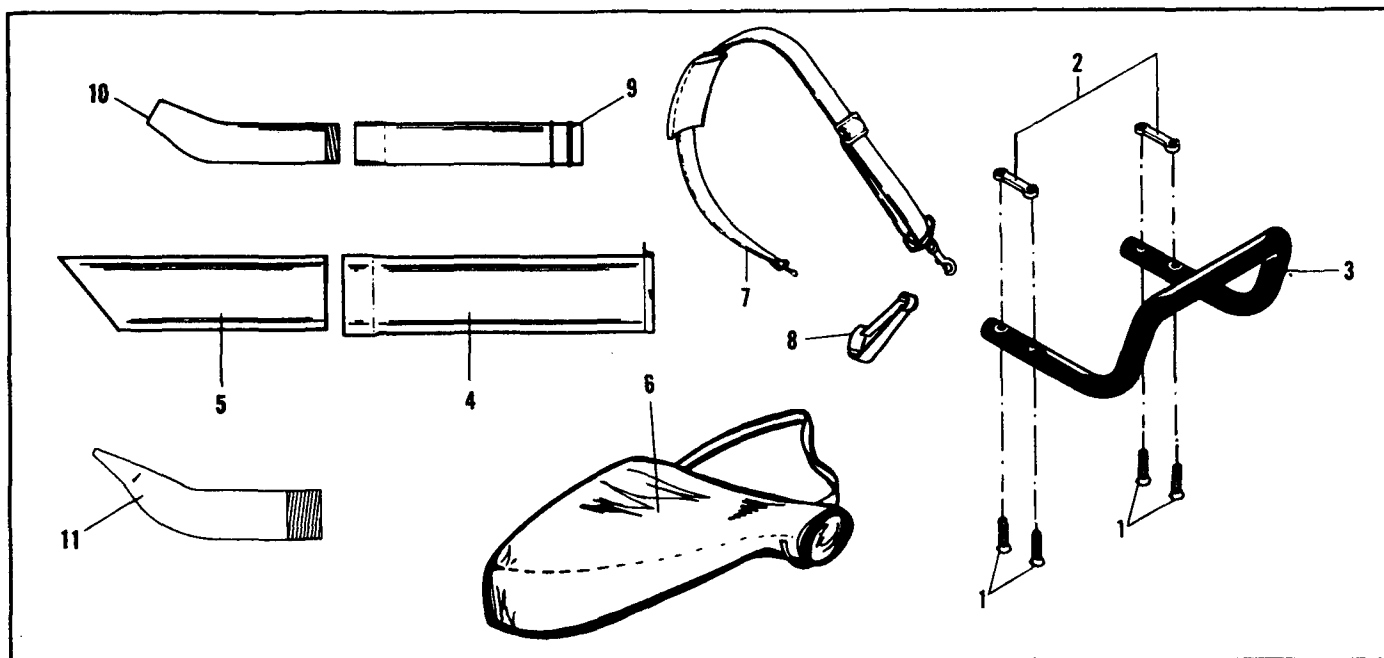
ITEM NO.	STK CODE	PART NUMBER	DESCRIPTION	UNITS PER ASY.
1	A	219947	① Housing-Inner Impeller	1
2	C	216022	Screw-M4x23.4 Torx (12-16 in. lb. torque)	4
3	A	218655	Disc-Drive	1
4	A	218518	Impeller	1
5	A	218856	Washer-Impeller	1
6	A	213169	Nut-Hx Flange M8 (150-168 in. lb. torque)	1
7	B	218644	Screw-10-14x.75 Torx (35-45 in. lb. torque)	5
8	A	219178	Housing-Outer Impeller	1
9	A	216389	Screw-Hex 8-32x.5 (20-25 in. lb. torque)	1
10	B	218643	Screw-8-16x.50 Torx (20-25 in. lb. torque)	1
11	A	218538	Pin-Cover	1
12	A	218539	Spring-Cover	1
13	B	218939	Cover-Inlet	1
14	A	218852	Decal-Warning Inlet	1
15	A	218797	Decal-Warning	1

ITEM NO.	STK CODE	PART NUMBER	DESCRIPTION	UNITS PER ASY.
16	A	-223241	Switch Momentary	1
17	A	219189	Trigger	1
18	A	218667	Link-Harness	2
19	A	219954	Screw 8-18x.75 Type B (45-55 in. lb. torque)	1
20	B	218644	Screw-10-14x.75 (35-45 in. lb. torque)	5
21	A	219946	② Shroud-Engine	1
22	B	219174	Adapter-Tube	1
23	B	219172	Clamp-Hose	1
24	B	218947	Screw-10-24x1.12 (55-60 in. lb. torque)	4
25	B	218117	Plate-Nut	2
26	A	-223800	③ Frame-Rear	1
27	A	219187	Spring-Throttle Lock	1
28	A	219188	Activator-Throttle Lock	1

- ① With Switch Hole.
- ② Without Switch Hole.
- ③ Original Equipment on Blower/Vac units only. Available as an accessory in Kit,(P/N 218717-01) for models without Vacuum attachments.

ACCESSORIES

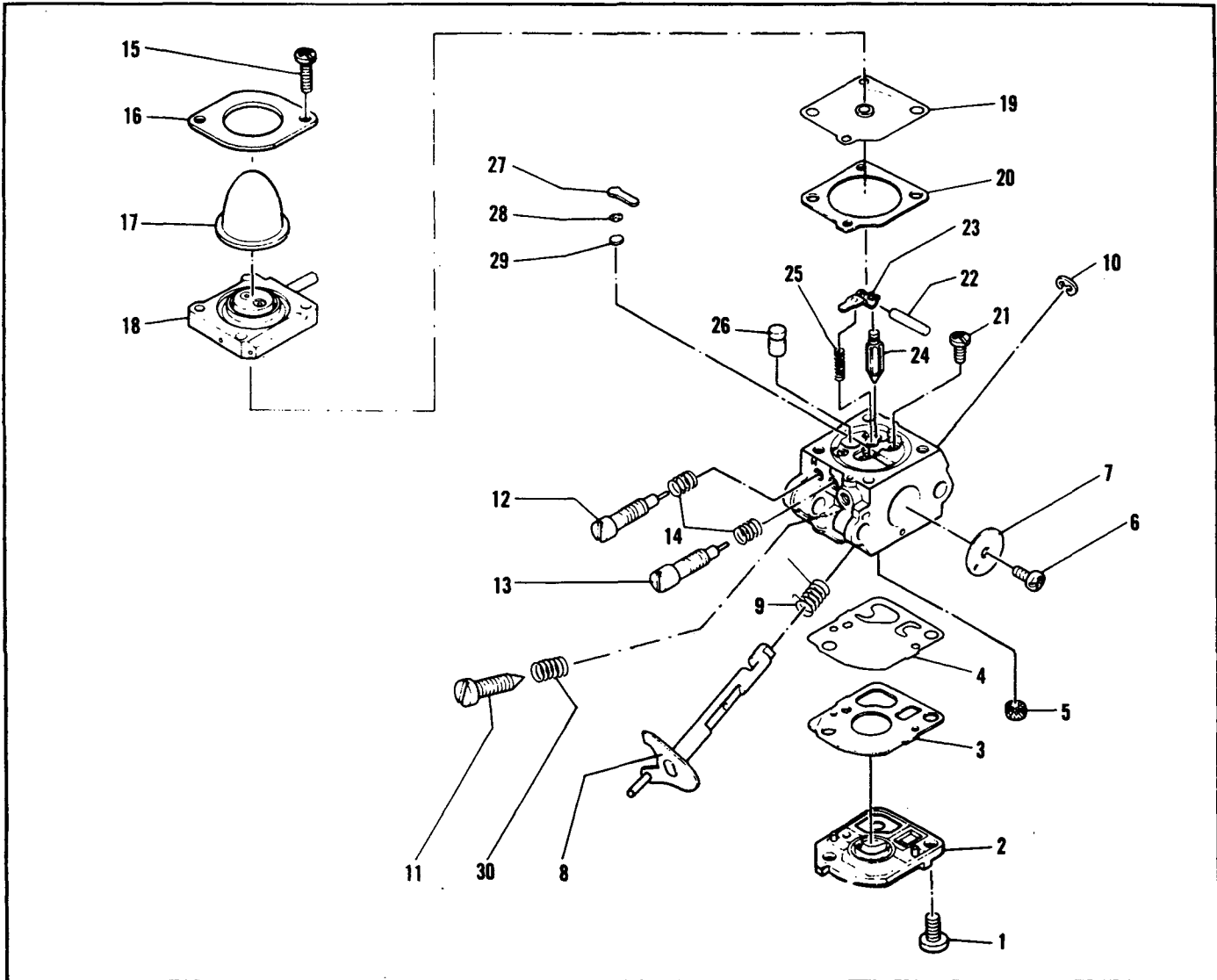
FIGURE 3



ITEM NO.	STK CODE	PART NUMBER	DESCRIPTION	UNITS PER ASY.
1	C	218717-01	Kit-Vacuum	1
	A	218947	Screw-10-24x1.12 (35-45 in. lb. torque)	4
2	B	218117	Plate-Nut	2
3	A	-223800	Frame-Rear	1
4	A	-223798	Vacuum Tube Upper Section	1
5	A	-223799	Vacuum Tube Lower Section	1

ITEM NO.	STK CODE	PART NUMBER	DESCRIPTION	UNITS PER ASY.
6	B	218660	Bag Assembly	1
7	B	218666	Harness	1
8	A	218938	Hook-Snap	1
9	B	219173-01	Blower Tube-Straight	1
10	B	219179	Blower Nozzle-Curved	1
11	A	218841	Nozzle-Fishtail	1

FIGURE 4 CARBURETOR ASSEMBLY



ITEM NO.	STK. CODE	PART NUMBER	DESCRIPTION	UNITS PER ASY.
	A	-222937*	Carburetor - Zama M21	1
1	-- --	-- --	. Screw-Pump Cover	2
2	-- --	-- --	. Cover-Pump	1
3	-- --	-- --	. Gasket-Pump	1
4	-- --	-- --	. Diaphragm-Pump	1
5	-- --	-- --	. Strainer	1
6	-- --	-- --	. Screw Throttle Valve	1
7	-- --	-- --	. Valve-Throttle	1
8	-- --	-- --	. Shaft Asy-Throttle	1
9	-- --	-- --	. Spring-Throttle Return	1
10	-- --	-- --	. "E" Ring-Throttle Shaft	1
11	-- --	-- --	. Screw-Throttle Adjust.	1
12	-- --	-- --	. Screw-High Speed	1
13	-- --	-- --	. Screw-Low Speed	1
14	-- --	-- --	. Spring-Adjuster Screw	2
15	-- --	-- --	. Screw-Metering Cover	2

ITEM NO.	STK. CODE	PART NUMBER	DESCRIPTION	UNITS PER ASY.
16	-- --	-- --	. Retainer-Primer	1
17	C	-223756	. Primer Bulb	1
18	-- --	-- --	. Base Asy-Primer	1
19	-- --	-- --	. Diaphragm Asy-Metering	1
20	-- --	-- --	. Gasket-Metering Chamber	1
21	-- --	-- --	. Screw-Pin Retaining	1
22	-- --	-- --	. Pin-Metering Lever	1
23	-- --	-- --	. Lever-Metering	1
24	-- --	-- --	. Valve-Inlet Needle	1
25	-- --	-- --	. Spring-Metering Lever	1
26	-- --	-- --	. Nozzle Asy-Check Valve	1
27	-- --	-- --	. Plug-Welch	1
28	-- --	-- --	. Retainer-Check Valve	1
29	-- --	-- --	. Valve-Check	1
30	-- --	-- --	. Spring-Adj. Screw	1

NOTE: Carburetor parts are shown for identification and disassembly sequence purposes only. Components are not available separately unless a part number is listed before the part description.

- ① Contained in Major Repair Kit, P/N 224400 (CODE B).
- ② Contained in Gasket/Diaphragm Kit, P/N 224401 (CODE B).

SPECIFICATIONS FIGURE 5

ENGINE TYPE	Two Cycle Single Cylinder
DISPLACEMENT	21.2cc
CYLINDER TYPE	Aluminun
IGNITION	Electronic
MUFFLER	Large Volume
SPARK ARRESTOR SCREEN	U.S.Forest Service Approved
CARBURETOR	All Position Diaphragm
AIR FILTER	Molded Felt
FUEL CAPACITY	14.6 Fl. Oz.
RUNNING TIME	35-40 Minutes
AIR VOLUME	400 CFM
OIL TYPE	40:1 2-Cycle Custom Lubricant
AIR VELOCITY	140 MPH
IMPELLER TYPE	Centrifugal Fan
IMPELLER BLADE NUMBER	6
IMPELLER SPEED	7000 RPM
DRY WEIGHT	11.2 Lbs.
NUMBER OF VACUUM TUBES	2 Sections
LENGTH OF VACUUM TUBES	34 3/4" Total (Installed)
VACUUM TUBE DIAMETER	4 1/2"
NUMBER OF BLOWER TUBES	25 1/2" Total (Installed)
BLOWER TUBE/NOZZLE OUTLET DIA.	2 3/4"/ 1 7/8" Respectively

TOOLS/LUBRICATIONS FIGURE 6

PART NUMBER	STK. CODE	DESCRIPTION
215439	D	TOOL-Piston Driving
215443	D	PLATE-Pressure (Intake)
215444	D	GASKET-Intake
215445	D	GASKET-Exhaust
222785	D	TORX Drive