

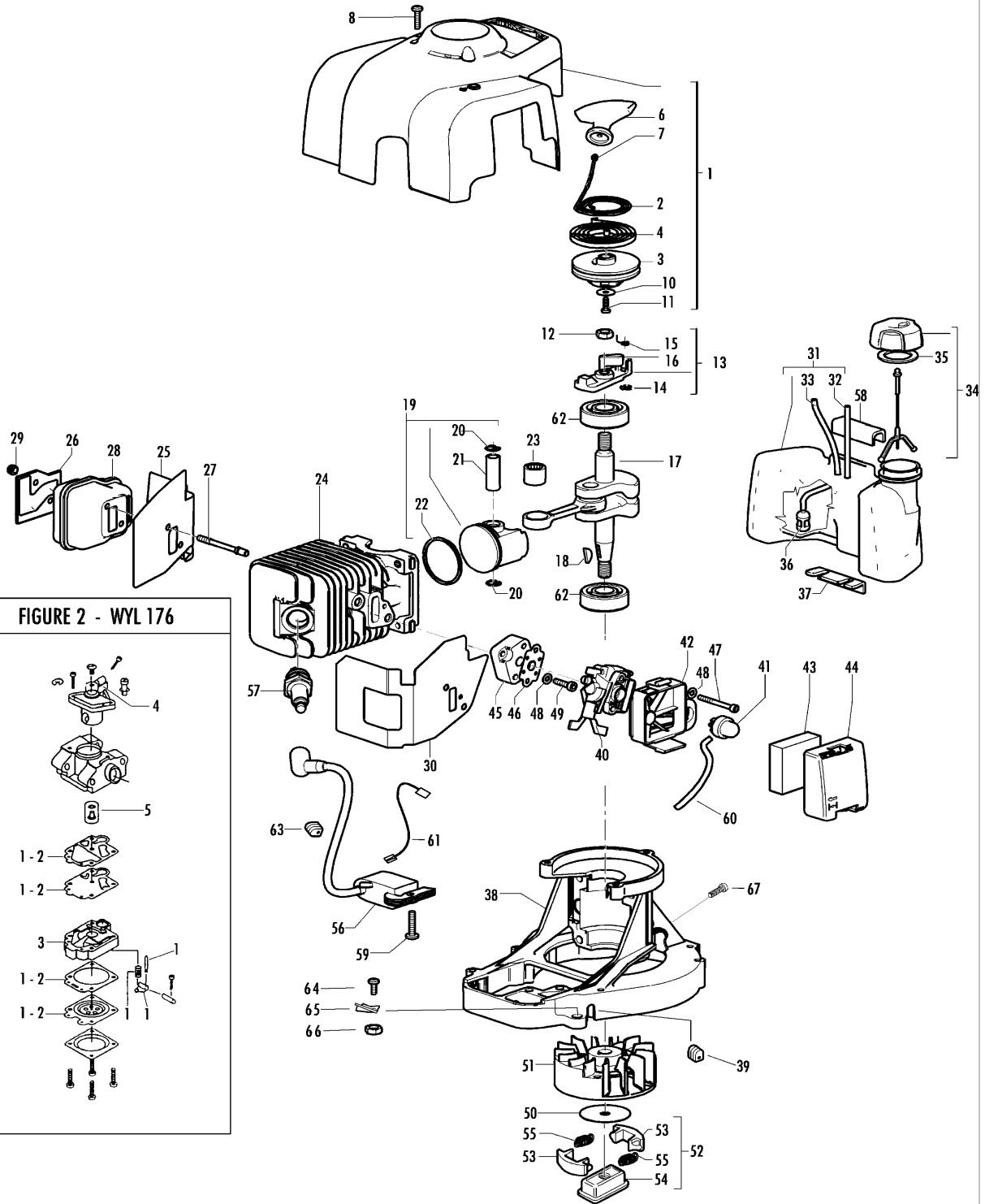
ELECTROLUX OUTDOOR PRODUCTS

| PNC | Type/Prefix/nd | Model | Brand |
|------------|-----------------------|--------------|--------------|
| 953900007 | 06 | HC 60 | McCulloch |
| 953900006 | 06 | HC 70 | McCulloch |
| 953900533 | 06 | PH 61 | Partner |

Number of Pages 1 of 5

| | |
|---|-----------------------------|
| Factory: IIQ - Valmadrera | Product Group: OP 94 |
| Publication Number: EIPL2004_VP0405007 | Petrol Portable |
| Publication Date: 12/05/04 | Sub Group 9435 |

FIGURE 1



| Item | P/N McC | P/N ELX | Qty | DESCRIPTION |
|-----------------|-----------------|-----------|-----|---------------------------|
| FIGURE 1 | | | | |
| C 1 | 242725 | 538242725 | 1 | starter ass'y |
| A 2 | • 241746 | 538241746 | 1 | rope |
| B 3 | • 241620 | 538241620 | 1 | starter pulley |
| B 4 | • 241619 | 538241619 | 1 | spring |
| 6 | • 241778 | 538241778 | 1 | starter pawl handle |
| 7 | • 235612 | 538235612 | 1 | washer |
| 8 | • 241963 | 538241963 | 3 | screw 4x22 |
| 10 | • 241703 | 538241703 | 1 | washer |
| 11 | • 241077 | 538241077 | 1 | screw 4x14 |
| 12 | 241624 | 538241624 | 1 | M8 nut |
| 13 | 241784 | 538241784 | 1 | starter pawl ass'y |
| 14 | • 111088 | 538111088 | 1 | snap ring |
| 15 | • 241782 | 538241782 | 1 | spring |
| 16 | • 241781 | 538241781 | 1 | pawl |
| 17 | 242003 | 538242003 | 1 | crank shaft assy |
| C 18 | 227631 | 538227631 | 1 | key |
| C 19 | 248177 | 538248177 | 1 | piston kit |
| 20 | • 235008 | 538235008 | 2 | snap ring |
| 21 | • 241735 | 538241735 | 1 | piston pin |
| B 22 | • 240002 | 538240002 | 1 | piston ring |
| C 23 | 235742 | 538235742 | 1 | needle bearing |
| C 24 | 241800 | 538241800 | 1 | cylinder |
| C 25 | 242517 | 538242517 | 1 | gasket |
| 26 | 322231 | 538322231 | 1 | outlet plate |
| 27 | 242037 | 538242037 | 2 | stud bolt |
| 28 | 242131 | 538242131 | 1 | muffler |
| 29 | 235642 | 538235642 | 2 | M5 nut |
| B 30 | 242516 | 538242516 | 1 | Gasket |
| C 31 | 242492 | 538242492 | 1 | fuel tank ass'y |
| B 32 | • 229789 | 538229789 | 1 | oil hose |
| B 33 | • 242491 | 538242491 | 1 | fuel hose |
| 34 | 242484 | 538242484 | 1 | fuel cap assy |
| 35 | • 236564 | 538236564 | 1 | gasket |
| A 36 | 242505 | 538242505 | 1 | pick up |
| 37 | 242038 | 538242038 | 1 | fuel tank grommet (lower) |
| 38 | 242029 | 538242029 | 1 | engine side cover |
| 39 | 241607 | 538241607 | 1 | wires grommet |
| 40 | FIGURE 2 | | | |
| 41 | 224242-01 | 538022424 | 1 | primer |
| 42 | 242420 | 538242420 | 1 | air filter box |
| B 43 | 242425 | 538242425 | 1 | air filter |
| C 44 | 242482 | 538242482 | 1 | air filter cover |
| C 45 | 242287 | 538242287 | 1 | carb. spacer |
| A 46 | 242325 | 538242325 | 1 | gasket |
| 47 | 235808 | 538235808 | 2 | screw M5x50 |
| 48 | 235248 | 538235248 | 4 | washer |
| 49 | 235806 | 538235806 | 2 | screw 5x20 |
| 50 | 241604 | 538241604 | 1 | clutch dust shield |
| 51 | 241796 | 538241796 | 1 | flywheel |

| Item | P/N McC | P/N ELX | Qty | DESCRIPTION |
|------|----------|-----------|-----|---------------------------|
| B 52 | 241793 | 538241793 | 1 | clutch assy |
| 53 | • 241743 | 538241743 | 2 | clutch shoe |
| 54 | • 241789 | 538241789 | 1 | clutch hub |
| A 55 | • 241794 | 538241794 | 2 | spring |
| C 56 | 241749 | 538241749 | 1 | ignition coil ass'y |
| A 57 | 92879 | 538092879 | 1 | spark RDJ8J |
| 58 | 242039 | 538242039 | 1 | fuel tank grommet (upper) |
| 59 | 235806 | 538235806 | 1 | screw |
| 60 | 242489 | 538242489 | 1 | primer hose |
| 61 | 241606 | 538241606 | 1 | ignition coil-switch wire |
| C 62 | 242030 | 538242030 | 2 | grommet/bearing assy |
| 63 | 236322 | 538236322 | 1 | wire protection |
| 64 | 236527 | 538236527 | 1 | screw M6x16 |
| 65 | 242710 | 538242710 | 1 | gas cable support |
| 66 | 235912 | 538235912 | 1 | nut M6 |
| 67 | 235803 | 538235803 | 4 | screw M5x25 |

| FIGURE 2 | | | | |
|-----------------|----------|-----------|---|---------------------|
| C - | 242438 | 538242438 | 1 | carburettor WYL 176 |
| 1 | • 247955 | 538247955 | 1 | repair kit K20 WYJ |
| 2 | • 247956 | 538247956 | 1 | gasket kit D20 WYJ |
| 3 | • 249184 | 538249184 | 1 | body pump 5-2760 |
| 4 | • 249185 | 538249185 | 1 | valve 34-811 |
| 5 | • 249154 | 538249154 | 1 | jet 0,41 |

A=ALTA ROTAZIONE
 B=MEDIA ROTAZIONE
 C=ALTA ROTAZIONE
 NUOVI CODICI

A=HIGH MOVING
 B=MEDIUM MOVING
 C=SLOW MOVING
 NEW P. NUMBERS

A=HAUTE DEMANDE
 B=MOYENNE DEMANDE
 C=BASSE DEMANDE
 NOUVELLES REFERENCES

A=GROBE NACHFRAGE
 B=MITTELMAESSIGE
 C=WENIGE NACHFRAGE
 NEU CODEX

FIGURE 3

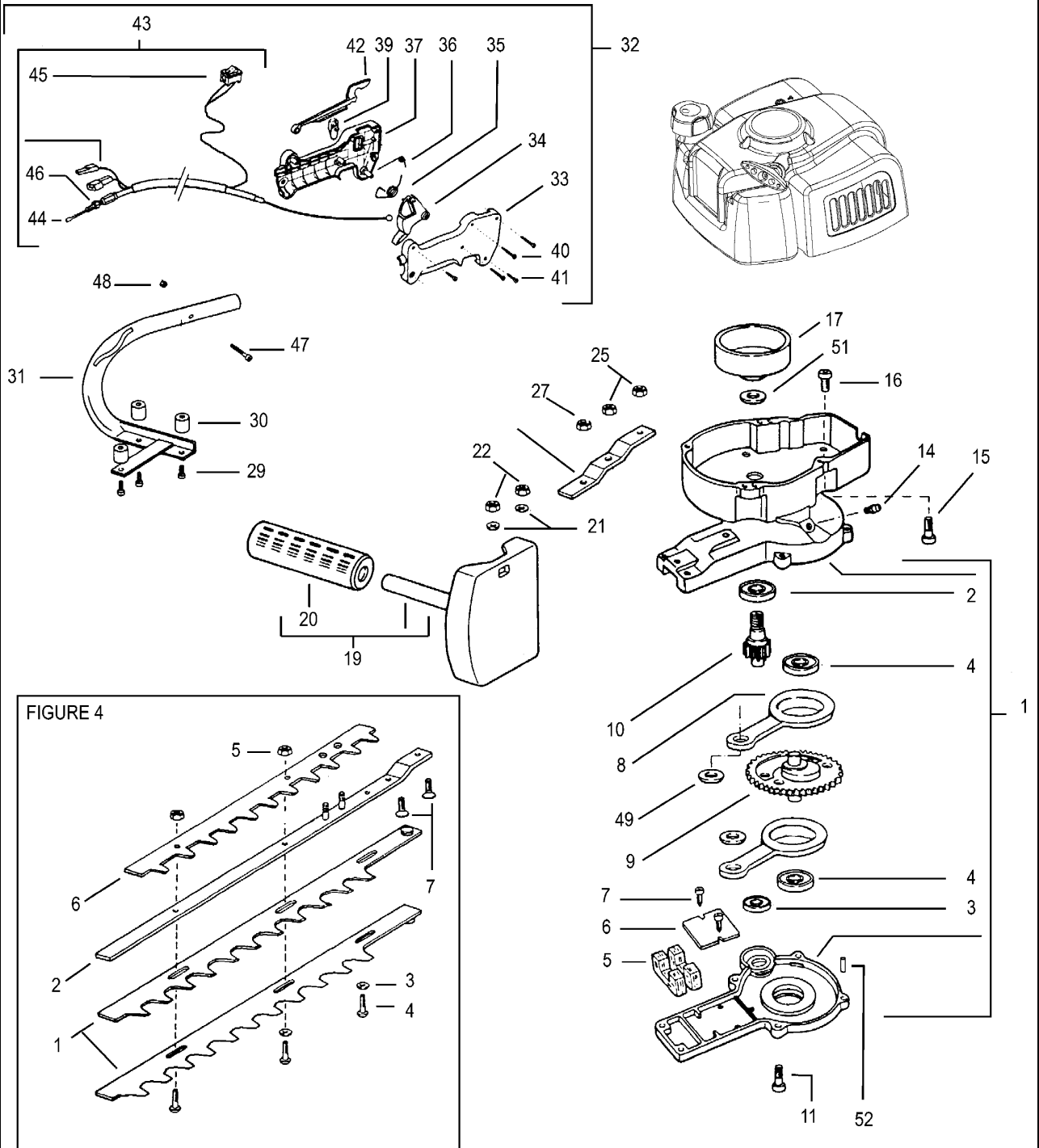
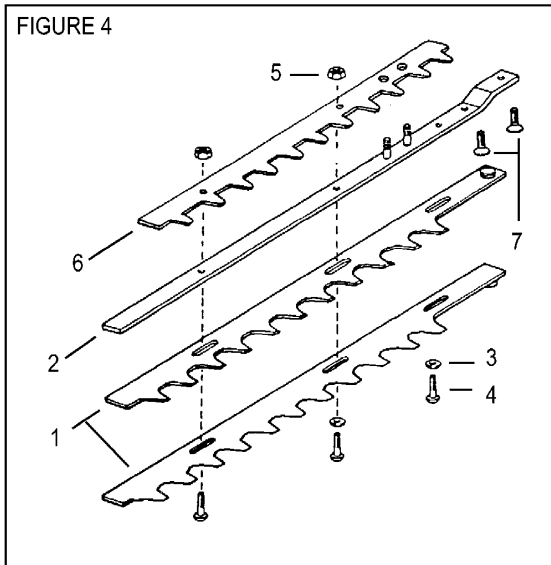


FIGURE 4



| Item | P/N McC | P/N ELX | Qty | DESCRIPTION |
|-----------------|-----------|-----------|-----|-------------------------|
| FIGURE 3 | | | | |
| 1 | 248114 | 538248114 | 1 | gear box ass'y |
| 2 | • 235897 | 538235897 | 1 | ball bearing 6000-2RS1 |
| 3 | • 235914 | 538235914 | 1 | ball bearing 608-2Z |
| 4 | • 228958 | 538228958 | 2 | ball bearing 6000-2Z |
| 5 | • 236365 | 538236365 | 2 | pin |
| C 6 | 228921 | 538228921 | 2 | dust shield |
| 7 | 228891 | 538228891 | 1 | plate |
| 8 | 228945 | 538228945 | 2 | screw M3x5 |
| C 9 | 241123 | 538241123 | 2 | connecting rod |
| 10 | 228804 | 538228804 | 1 | eccentric gear |
| 11 | 228806 | 538228806 | 1 | pinion |
| 12 | 229077 | 538229077 | 6 | screw M5x18 |
| 14 | 228861 | 538228861 | 1 | cap |
| 15 | 235801 | 538235801 | 4 | screw M4x16 |
| 16 | 235911 | 538235911 | 3 | screw M6x12 |
| C 17 | 242142 | 538242142 | 1 | clutch drum |
| 18 | 241023 | 538241023 | 1 | blade support |
| 19 | 229080 | 538229080 | 1 | front handle |
| 20 | • 235895 | 538235895 | 1 | handle |
| 21 | 236607 | 538236607 | 2 | washer D.6x12x1,6 |
| 22 | 228926 | 538228926 | 2 | nut M6 |
| 25 | 229208 | 538229208 | 2 | nut M5 |
| 27 | 228926 | 538228926 | 1 | nut M6 |
| 29 | 236512 | 538236512 | 3 | screw M6x8 |
| C 30 | 235987 | 538235987 | 3 | grommet |
| 31 | 228897 | 538228897 | 1 | rear handle |
| 32 | 240904 | 538240904 | 1 | Trigger box ass'y |
| 33 | • 241293 | 538241293 | 1 | trigger box- right half |
| 34 | • 241295 | 538241295 | 1 | throttle trigger |
| 35 | • 240091 | 538240091 | 1 | return spring |
| 37 | • 241294 | 538241294 | 1 | trigger box- left half |
| 39 | • 229824 | 538229824 | 1 | cap |
| 40 | • 240833 | 538240833 | 3 | screw 3x20 |
| 41 | • 240618 | 538240618 | 2 | screw 3 x16 |
| 42 | • 229820 | 538229820 | 1 | safety lever |
| C 43 | • 240903 | 538240903 | 1 | wires ass'y |
| C 44 | •• 240900 | 538240900 | 1 | cable |
| C 45 | •• 236394 | 538236394 | 1 | switch |
| 46 | •• 229207 | 538229207 | 2 | nut |
| 47 | 235804 | 538235804 | 1 | screw M5x30 |
| 48 | 235216 | 538235216 | 1 | nut M5 |
| 49 | 228728 | 538228728 | 2 | washer D.12x20x0.6 |
| 51 | 235164 | 538235164 | 1 | washer D.6x18x1.5 |

| Item | P/N McC | P/N ELX | Qty | DESCRIPTION |
|-------------------------------|---------|-----------|-----|---------------------|
| FIGURE 4 HC 60 / PH 61 | | | | |
| 1 | 228917 | 538228917 | 1 | blades |
| 2 | 228875 | 538228875 | 1 | blade guide |
| 3 | 236934 | 538236934 | 4 | washer D.6x18x1,5 |
| 4 | 228925 | 538228925 | 4 | screw M6x20 |
| 5 | 228926 | 538228926 | 4 | self locking nut M6 |
| 6 | 241013 | 538241013 | 1 | safety blade |
| 7 | 228924 | 538228924 | 2 | screw M5x20 |

| Item | P/N McC | P/N ELX | Qty | DESCRIPTION |
|-----------------------|---------|-----------|-----|---------------------|
| FIGURE 4 HC 70 | | | | |
| 1 | 228918 | 538228918 | 1 | blades |
| 2 | 228874 | 538228874 | 1 | blade guide |
| 3 | 236934 | 538236934 | 5 | washer D.6x18x1,5 |
| 4 | 228925 | 538228925 | 5 | screw M6x20 |
| 5 | 228926 | 538228926 | 5 | self locking nut M6 |
| 6 | 241013 | 538241013 | 1 | safety blade |
| 7 | 228924 | 538228924 | 2 | screw M5x20 |

A=ALTA ROTAZIONE
B=MEDIA ROTAZIONE
C=ALTA ROTAZIONE
NUOVI CODICI

A=HIGH MOVING
B=MEDIUM MOVING
C=SLOW MOVING
NEW P. NUMBERS

A=HAUTE DEMANDE
B=MOYENNE DEMANDE
C=BASSE DEMANDE
NOUVELLES REFERENCES

A=GROBE NACHFRAGE
B=MITTELMAESSIGE
C=WENIGE NACHFRAGE
NEU CODEX