

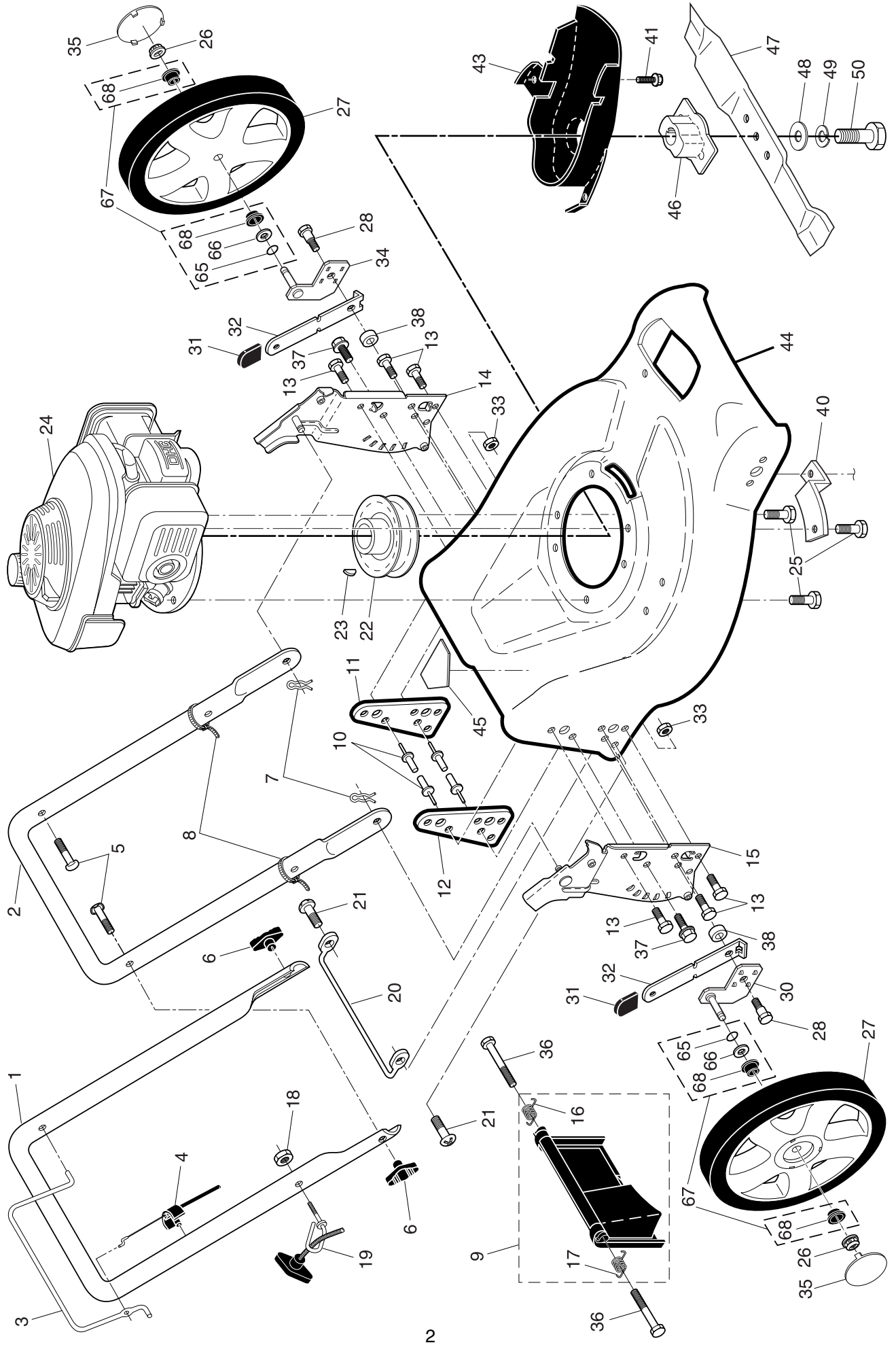
ILLUSTRATED PARTS LIST

CUSTOMER MODEL NO. M55H53SDHW

PRODUCT NUMBER 961 41 00-40

MFG. ID. NUMBER 96141004000

ROTARY LAWN MOWER - - MODEL NUMBER M55H53SDHW (96141004000) PRODUCT NO. 961 41 00-40



ROTARY LAWN MOWER - - MODEL NUMBER M55H53SDHW (96141004000) PRODUCT NO. 961 41 00-40

KEY NO.	PART NO.	DESCRIPTION	KEY NO.	PART NO.	DESCRIPTION
1	532 19 25-17	Upper Handle	27	532 18 91-61	Wheel & Tire Assembly
2	532 15 36-05	Lower Handle	28	532 16 08-28	Shoulder Bolt 5/16-18 x .33
3	532 14 67-71	Control Bar	30	532 18 25-41	Axle Arm Assembly, Rear, RH
4	532 18 35-67	Engine Zone Control Cable	31	532 17 54-77	Selector Knob
5	532 19 15-74	Handle Bolt	32	532 18 25-37	Selector Spring
6	532 19 19-38	Handle Knob	33	873 80 05-00	Locknut
7	532 05 17-93	Hairpin Cotter	34	532 18 25-42	Axle Arm Assembly, Rear, LH
8	532 06 64-26	Wire Tie	35	532 19 25-19	Hubcap
9	532 18 04-79	Rear Door Kit (Includes Key Numbers 16 and 17)	36	532 18 41-93	Bolt
10	532 12 84-15	Pop Rivet	37	532 15 00-78	Thread Cutting Screw w/Sems 5/16-18 x 3/4
11	532 18 25-38	Support Bracket, LH	38	819 11 22-06	Spacer
12	532 18 25-39	Support Bracket, RH	40	532 19 09-39	Mounting Bracket, Debris Shield
13	817 06 04-10	Screw 1/4-20 x 5/8	41	532 19 23-25	Screw
14	532 18 25-43	Handle Bracket Assembly, LH	43	532 18 87-84	Debris Shield
15	532 18 25-45	Handle Bracket Assembly, RH	44	532 19 48-60	Lawn Mower Housing (Includes Key Numbers 10, 11, 12 and 45)
16	532 18 00-71	Spring, Rear Door, LH	45	532 18 21-66	Danger Decal
17	532 18 00-72	Spring, Rear Door, RH	46	532 18 46-32	Blade Adapter
18	532 13 20-04	Keps Locknut 1/4-20	47	532 16 58-33	Blade, 21"
19	532 17 95-85	Rope Guide	48	532 85 10-74	Hardened Washer
20	532 17 92-05	Foot Guard, C.E.	49	532 85 02-63	Helical Washer 3/8-24 x 1-3/8 Grade 8
21	532 05 45-83	Screw, Tapping 1/4-20 x 1/2	50	532 85 10-84	Hex Head Machine Screw 3/8-24 x 1-3/8 Grade 8
22	532 18 49-41	Engine Pulley	65	532 18 81-52	O-Ring
23	532 18 77-23	Hi-Pro Key	66	532 08 83-48	Washer, Flat 3/8
24	- - -	Engine, Honda, Model Number GCV160 (order parts from engine manufacturer)	67	532 19 34-98	Kit, Bushing, High Wheel
25	532 15 04-06	Screw, Hex Head, Threaded, Rolled 3/8-16 x 1-1/8	68	532 19 36-96	Bushing, Nylon, Black
26	532 08 39-23	Nut, Hex, Flanged	- -	532 18 21-34	Decal, Self-Propelled, Internal (not shown)
			- -	532 19 52-15	Operator's Manual, European

NOTE: All component dimensions given in U.S. inches. 1 inch = 25.4 mm. **IMPORTANT:** Use only Original Equipment Manufacturer (O.E.M.) replacement parts. Failure to do so could be hazardous, damage your lawn mower and void your warranty.

ROTARY LAWN MOWER - - MODEL NUMBER M55H53SDHW (96141004000) PRODUCT NO. 961 41 00-40

KEY NO.	PART NO.	DESCRIPTION	KEY NO.	PART NO.	DESCRIPTION
1	532 18 45-88	Control Cable Assembly	54	532 19 52-13	Grassbag Assembly
2	532 08 80-58	Bearing, Wheel Adjuster	55	532 17 57-39	Driveshaft Cover
3	532 17 52-62	Pan Head Tapping Screw #10-24 x 2-3/4	57	532 18 88-15	Frame, Grassbag
4	532 15 87-55	Hex Washer Head Screw 1/4-20 x 2.12	60	532 18 34-97 *	Case, Lower
5	532 17 54-36	V-Belt	61	532 18 34-98 *	Case, Upper
6	532 15 04-95	Spring Retainer	62	532 18 34-99	Gear, 27 Teeth
7	532 19 17-30	Locknut #10-24	63	532 18 35-00	Lever, Clutch
8	532 16 43-78	Hubcap	64	532 18 35-01	Spring, Return
9	532 14 52-12	Locknut	65	532 18 35-02	Shaft, Input
11	532 18 07-67	Wheel & Tire Assembly	66	532 18 35-03	Dog, Movable
12	812 00 00-58	E-Ring	67	532 18 35-04	Dog, Fixed
13	532 13 70-54	Pinion	68	532 18 35-05	Wire, Formed
14	532 18 05-04	Dust Cover	69	532 18 35-06	Bearing, Ball
16	532 06 77-25	Washer 1/2 x 1-1/2 x .134	70	532 18 35-07	Fork, Shift
18	532 08 78-77	Selecter Knob	71	532 18 35-08	Seal, Output Shaft
28	532 18 14-67	Drive Cover	72	532 18 35-09	Washer
31	532 13 20-10	Hex Flange Nut	73	532 18 35-10	Seal, Case
32	532 18 94-07	Drive Pulley	74	532 18 35-11	Bushing
35	532 15 15-21	Kit, Wheel Adjuster, LH (Includes Knob and Bearing)	75	532 18 35-12	Shaft, Output
36	532 18 01-84	Gear Case Assembly (See Breakdown)	76	532 18 35-13	Screw
38	873 80 04-00	Locknut 1/4-20	77	532 18 35-14	Seal, Input Shaft
40	532 13 70-90	Spring			
41	532 15 15-20	Kit, Wheel Adjuster, RH (Includes Knob and Bearing)			

* Use Dow Corning #709 to reseal Gear Case Halves.

NOTE: All component dimensions given in U.S. inches. 1 inch = 25.4 mm. **IMPORTANT:** Use only Original Equipment Manufacturer (O.E.M.) replacement parts. Failure to do so could be hazardous, damage your lawn mower and void your warranty.