

ELECTROLUX OUTDOOR PRODUCTS

PNC	Type/Prefix/nd	Model	Brand
953900128 24802300B	09	VIRGINIA MH 542	McCulloch
953900129 24801400B	09	VIRGINIA MH 555	McCulloch
953900213	09	HG 17	Partner
953900180	09	HG 22	Partner

Number of Pages 1 of 5

Factory: IIQ - Valmadrera	Product Group: OP 93
Publication Number: EIPL2005_VP0504024	Petrol Portable
Publication Date: 22/04/05	Sub Group 9435

FIGURE 1

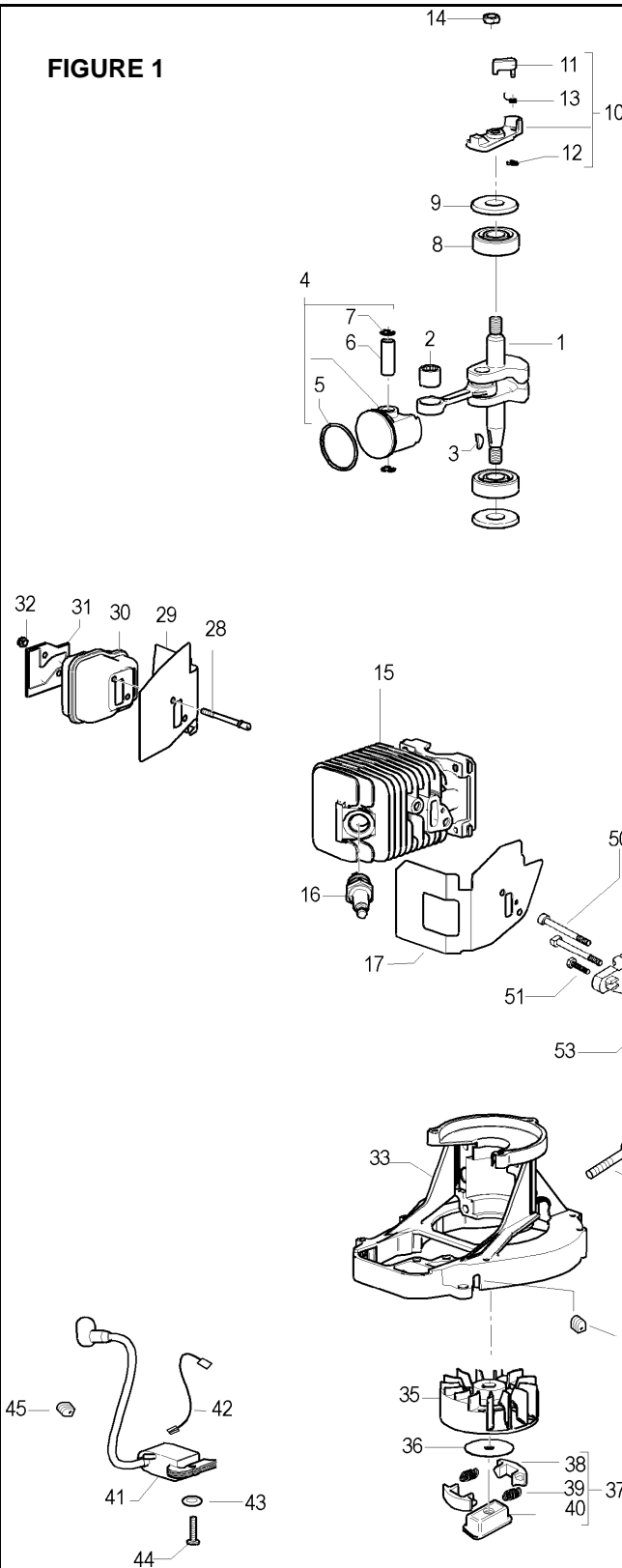


FIGURE 2

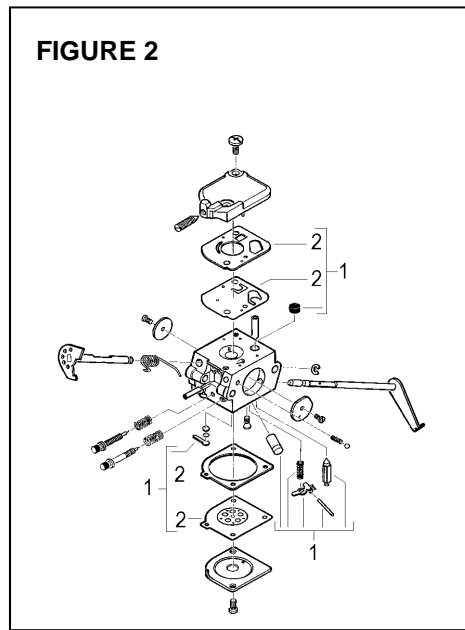


FIGURE 1

Item	P/N McC	P/N ELX	Qty	DESCRIPTION
FIGURE 1				
1	242003	538242003	1	crankshaft assy
C 2	235742	538235742	1	needle bearing 9x14x12
C 3	227631	538227631	1	key
4	248177	538248177	1	piston kit
C 5	• 240002	538240002	1	piston ring
B 6	• 241735	538241735	1	piston pin
C 7	• 235008	538235008	2	snap ring
C 8	241594	538241594	2	ball bearing
C 9	242994	538242994	2	seal
10	241784	538241784	1	starter pawl assy
11	• 241781	538241781	1	ratchet
C 12	• 111088	538111088	1	snap ring
13	• 241782	538241782	1	spring
14	241624	538241624	1	nut M8
15	242803	538242803	1	cylinder
16	92879	538092879	1	spark plug RDJ8J
17	242860	538242860	1	cylinder spacer gasket
A 28	242037	538242037	2	muffler stud bolt
C 29	242517	538242517	1	gasket
30	242131	538242131	1	muffler
C 31	322231	538322231	1	exhaust baffle
C 32	235642	538235642	2	nut M5 self locking
33	242802	538242802	1	engine carter
34	241607	538241607	1	wire grommet
35	241796	538241796	1	flywheel
36	241604	538241604	1	clutch dust shield
B 37	241793	538241793	1	clutch assy
38	• 241743	538241743	2	clutch shoe
A 39	• 241794	538241794	2	clutch spring
40	• 241789	538241789	1	clutch rotor
41	241749	538241749	1	ignition coil
42	241630	538241630	1	ignition cable/ switch
43	235248	538235248	2	washer d. 5x10x1
C 44	235806	538235806	2	screw M5x20
45	236322	538236322	1	grommet
46	227565	538227565	4	screw 5x25-12,9
50	111057	538111057	2	screw 10-24
51	240131	538240131	1	screw M5x20
C 52	241590	538241590	1	carb. Spacer
53	235206	538235206	2	screw M5x20 + washer
54	241644	538241644	1	throttle cable guide
55	235163	538235163	1	washer
56	235642	538235642	1	nut M5
57	241600	538241600	1	carb.-spacer gasket
58	FIGURE 2			
59	241647	538241647	1	air filter housing
60	111058	538111058	2	nut 10-24
C 61	241652	538241652	1	air filter
62	242742	538242742	1	air filter cover
63	218644	538218644	2	screw

Item	P/N McC	P/N ELX	Qty	DESCRIPTION
FIGURE 2 ZAMA M32-C				
C -	242813	538242813		carburettor
B 1	• 300465	538300465	1	carburettor repair kit
A 2	•• 300473	538300473	1	diaphragm+gasket kit

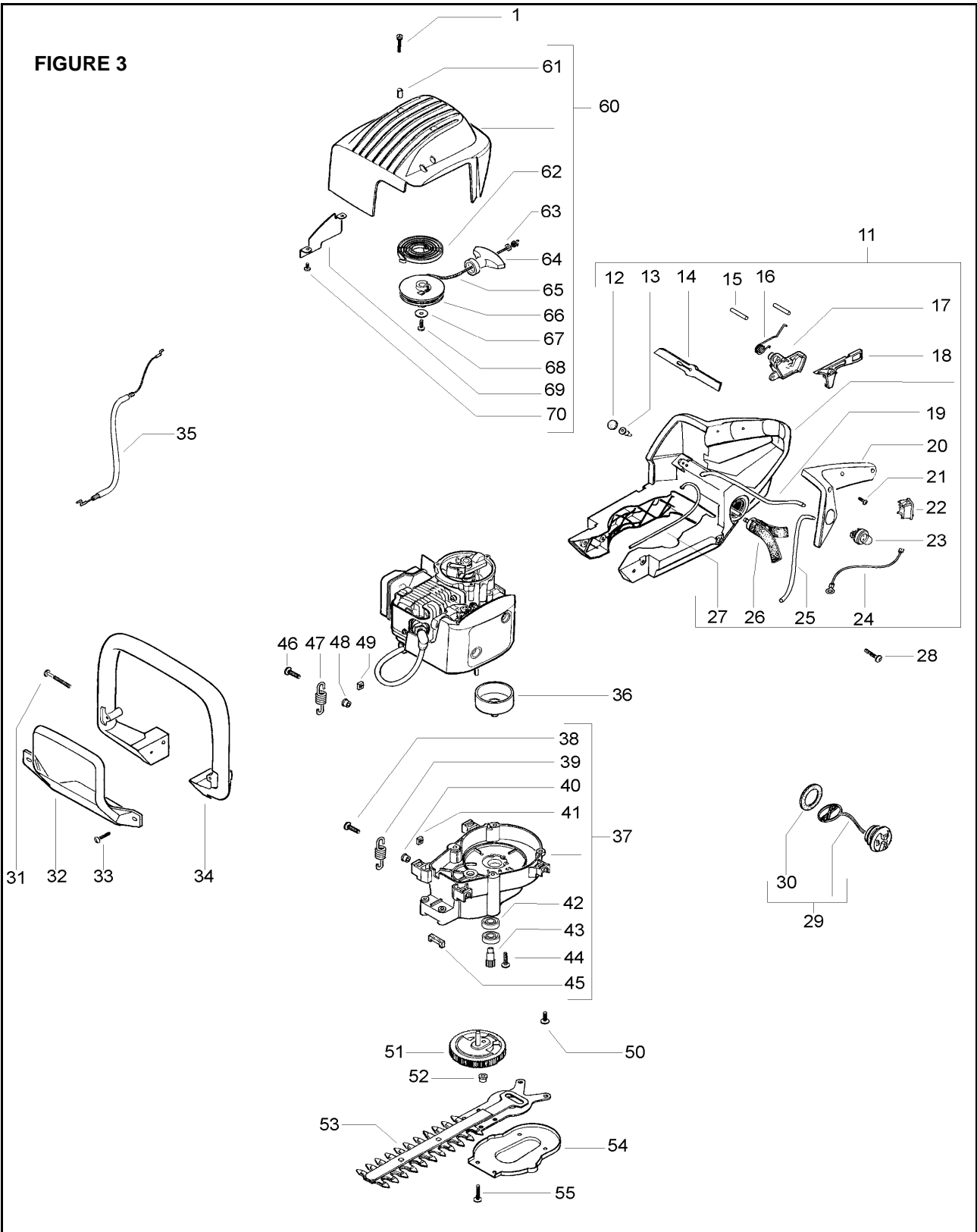
A=ALTA ROTAZIONE
B=MEDIA ROTAZIONE
C=ALTA ROTAZIONE
NUOVI CODICI

A=HIGH MOVING
B=MEDIUM MOVING
C=SLOW MOVING
NEW P. NUMBERS

A=HAUTE DEMANDE
B=MOYENNE DEMANDE
C=BASSE DEMANDE
NOUVELLES REFERENCES

A=GROBE NACHFRAGE
B=MITTELMAESSIGE
C=WENIGE NACHFRAGE
NEU CODEX

FIGURE 3



Item	P/N McC	P/N ELX	Qty	DESCRIPTION
------	---------	---------	-----	-------------

Item	P/N McC	P/N ELX	Qty	DESCRIPTION
------	---------	---------	-----	-------------

FIGURE 3

1	241963	538241963	3	screw M4x22
C 11	243363	538243363	1	rear handle assy
C 12	• 241717	538241717	1	valve felt
C 13	• 322199	538322199	1	valve duckbill
14	• 241709	538241709	1	cable holder
15	• 241762	538241762	2	pin d.4x25,5
16	• 241637	538241637	1	spring
C 17	• 241635	538241635	1	throttle rigger
C 18	• 241636	538241636	1	safety lever
B 19	• 241777	538241777	1	mix pipe
20	• 243332	538243332	1	half handle left
21	• 240862	538240862	3	screw - self threading 4x18
C 22	• 242439	538242439	1	switch
C 23	• 224242-01	538022424	1	primer
24	• 241867	538241867	1	ground cable
B 25	• 241776	538241776	1	primer pipe
A 26	• 240452	538240452	1	pick up
B 27	• 241775	538241775	1	tube mix
28	111117	538111117	2	screw 10-14x1"
B 29	240865	538240865	1	fuel cap assy
C 30	• 235510	538235510	1	o-ring
31	219883	538219883	4	screw 10-14x1,69
32	241654	538241654	1	front handle protection
33	111117	538111117	2	screw 10-14x1"
34	241868	538241868	1	front handle
C 35	241642	538241642	1	gas cable
C 36	241771	538241771	1	clutch drum
37	249083	538249083	1	gear box assy
38	• 217936	538217936	2	screw 10-24x0,75
C 39	• 241634	538241634	2	spring
40	• 241765	538241765	2	bushing
41	• 218005	538218005	2	square nut 10-24
42	• 235897	538235897	2	ball bearing 10x26x8 (6000-2RS1)
43	• 225007-01	538225007	1	gear
44	• 218644	538218644	2	screw 10-14x0,75
45	• 241633	538241633	1	dust shield
46	217936	538217936	2	screw 10-24x0,75
C 47	241634	538241634	2	spring
48	241765	538241765	2	bushing
49	218005	538218005	2	square nut 10-24

50	227568	538227568	4	screw M4x20
C 51	242457	538242457	1	blade gear
B 52	242521	538242521	1	bushing
C 53	242458	538242458	1	17" blade assy
C 53	242584	538242584	1	22" blade assy
54	241761	538241761	1	gear box cover
55	111117	538111117	6	screw 10-14x1"
60	241858	538241858	1	cover assy
61	• 241617	538241617	3	bushing 5x10
B 62	• 241619	538241619	1	starter spring
63	• 235612	538235612	1	washer d.4x9x0,8
64	• 241778	538241778	1	starter's handle
A 65	• 241746	538241746	1	starter rope
B 66	• 241620	538241620	1	starter pulley
67	• 241703	538241703	1	washer d.4x16x0,8
68	• 240862	538240862	1	screw - self threading 4x18
69	• 241758	538241758	1	air conductor
70	• 111069	538111069	2	screw 8x16x0.375

A=ALTA ROTAZIONE
B=MEDIA ROTAZIONE
C=ALTA ROTAZIONE
NUOVI CODICI

A=HIGH MOVING
B=MEDIUM MOVING
C=SLOW MOVING
NEW P. NUMBERS

A=HAUTE DEMANDE
B=MOYENNE DEMANDE
C=BASSE DEMANDE
NOUVELLES REFERENCES

A=GROBE NACHFRAGE
B=MITTELMAESSIGE
C=WENIGE NACHFRAGE
NEU CODEX