

HUSQVARNA OUTDOOR PRODUCTS ITALIA

PNC	ML	Model	Brand
953900695	01	PROMAC 1900-14 SCHUKO	McCulloch
953900735			
953900696	01	PROMAC 1900-16 SCHUKO	McCulloch
953900722			
966831801			
953900697	01	PROMAC 1900-14 CH	McCulloch

Number of Pages 1 of 5

Factory:	IIQ - Valmadrera	Product Group:	OP 93
Publication Number:	MIPL2006_V030000003	Petrol Portable	
Publication Date:	14/03/08	Sub Group	9434

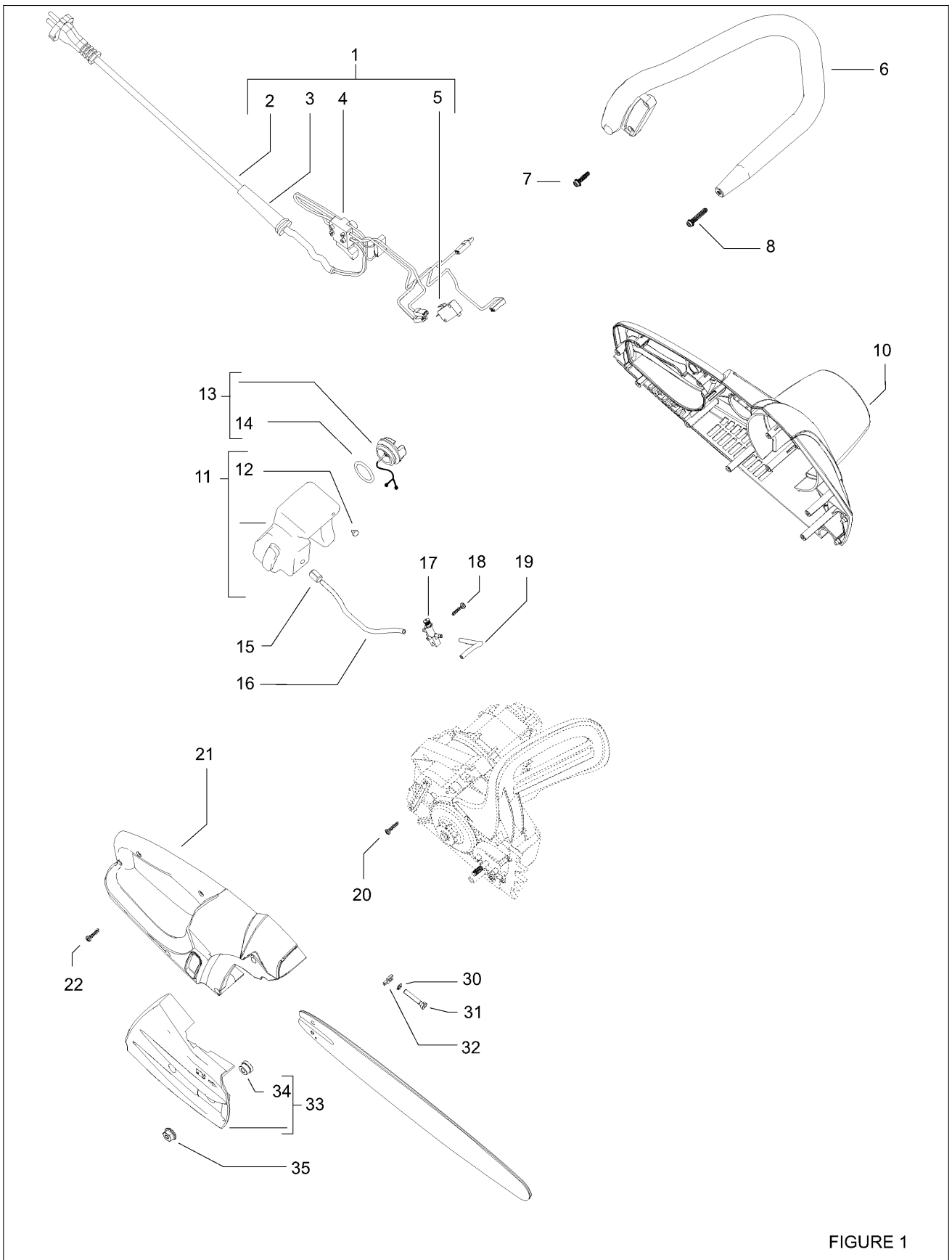
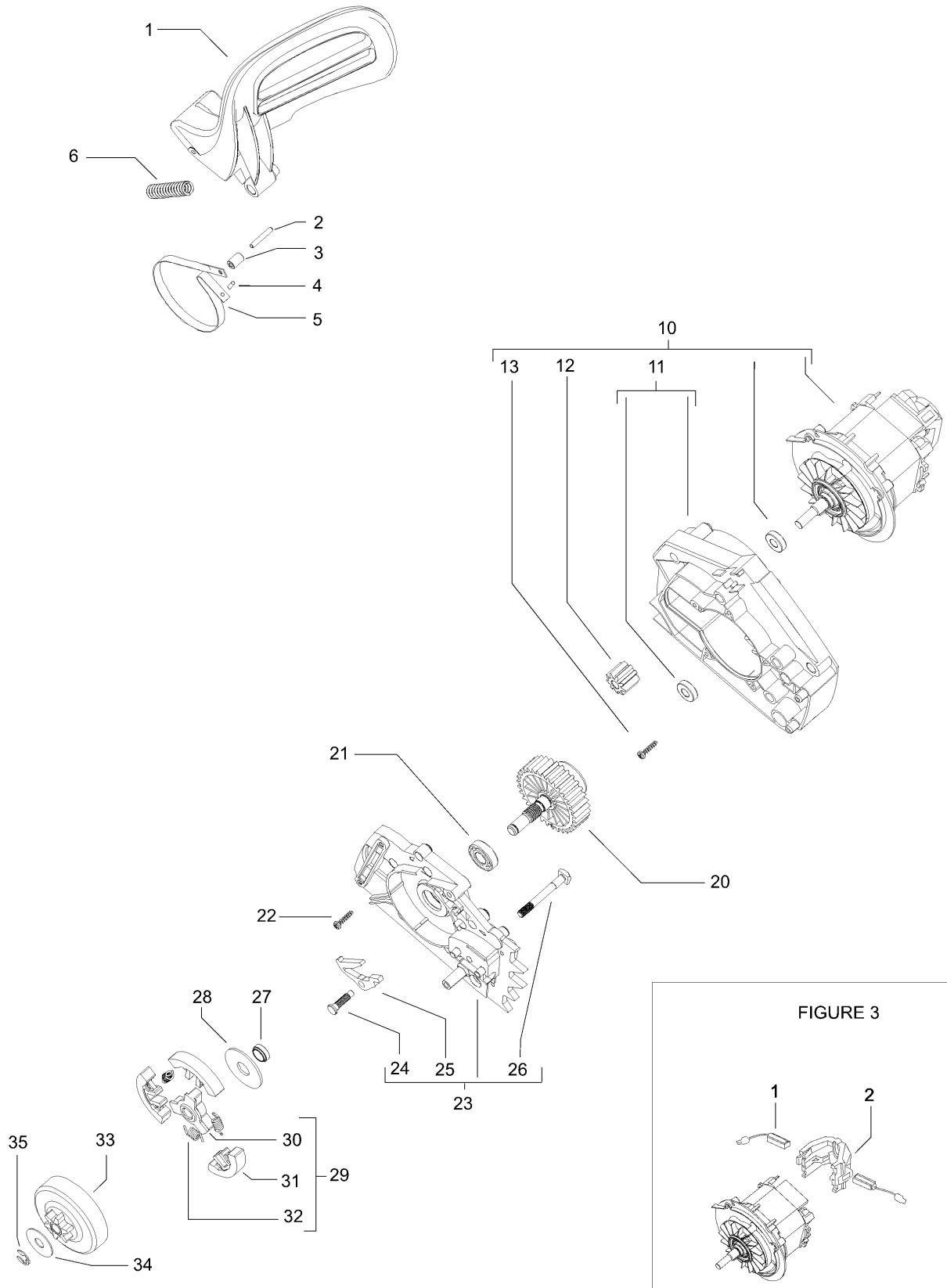


FIGURE 1

Item	PN	Qty	Description
FIGURE 1			
1	538243470	1	cable assy - SCHUKO
	538243582	1	cable assy - UK
	538243580	1	cable assy - CH
2	* 538243522	1	Plug assy - SCHUKO
	538243583	1	Plug assy - UK
	538243581	1	Plug assy - CH
3	538241051	1	cable strain relief
B 4	* 538243579	1	trigger
B 5	* 538242687	1	switch
6	538243474	1	front handle
7	503217520	2	screw 5x20, self threading
8	503218830	1	screw 6x30, self threading
10	538243444	1	left crankcase
11	538243472	1	oil tank assy
12	* 538322199	1	vernay
B 13	538243137	1	oil cap assy
14	* 538235510	1	o-ring
B 15	538225062	1	oil filter
16	538243456	1	oil hose 30cm
B 17	538243453	1	oil pump
18	538240862	1	screw 4x18, self threading
19	538005334	1	oil hose 13,5 cm
20	538240862	3	screw 4x18, self threading
21	538243445	1	right crankcase
22	538240862	7	screw 4x18, self threading
B 30	538235367	1	seeger
B 31	538241167	1	chain tensioner screw
B 32	538241037	1	chain tensioner nut
C 33	538243491	1	chain cover assy
C 34	* 538243494	1	spacer
A 35	538242501	1	nut M6

A = ALTA ROTAZIONE	A = HIGH MOVING	A = HAUTE DEMANDE	A = GROBE NACHFRAGE
B = MEDIA ROTAZIONE	B = MEDIUM MOVING	B = MOYENNE DEMANDE	B = MITTELMAESSIGE
C = BASSA ROTAZIONE	C = SLOW MOVING	C = BASSE DEMANDE	C = WENIGE NACHFRAGE
NUOVI CODICI	NEW PARTS	NOUVELLE REFERENCES	NEU CODEX

FIGURE 2



Item	PN	Qty	Description
FIGURE 2			
1	538243460	1	brake lever
2	538005367	1	brake pin
3	538243462	1	brake spacer
4	538229394	1	brake band plug
C 5	538243461	1	brake band
6	538235076	1	brake spring
C 10	538243447	1	motor
11	* 538243448	1	gear box
12	* 538243450	1	gear
13	* 538240862	3	screw 4x18
B 20	538243451	1	pinion gear
21	538235914	1	ball bearing
22	538240862	7	screw 4x18, self threading
B 23	538243457	1	gear box cover
24	* 538235075	1	brake latch pivot
25	* 538242367	1	brake latch
26	* 538241035	1	bar bolt
27	538243464	1	spacer
28	538241346	1	dust shield
B 29	538243577	1	clutch assy
30	* 538242005	1	clutch rotor
31	* 538227359	3	clutch shoe
32	* 538243578	3	clutch spring
A 33	538240260	1	clutch drum
34	538235287	1	washer
35	538229137	1	seeger

FIGURE 3			
C 1	538048956	2	brushes
C 2	538048957	1	brushes holder

A = ALTA ROTAZIONE	A = HIGH MOVING	A = HAUTE DEMANDE	A = GROBE NACHFRAGE
B = MEDIA ROTAZIONE	B = MEDIUM MOVING	B = MOYENNE DEMANDE	B = MITTELMAESSIGE
C = BASSA ROTAZIONE	C = SLOW MOVING	C = BASSE DEMANDE	C = WENIGE NACHFRAGE
NUOVI CODICI	NEW PARTS	NOUVELLE REFERENCES	NEU CODEX