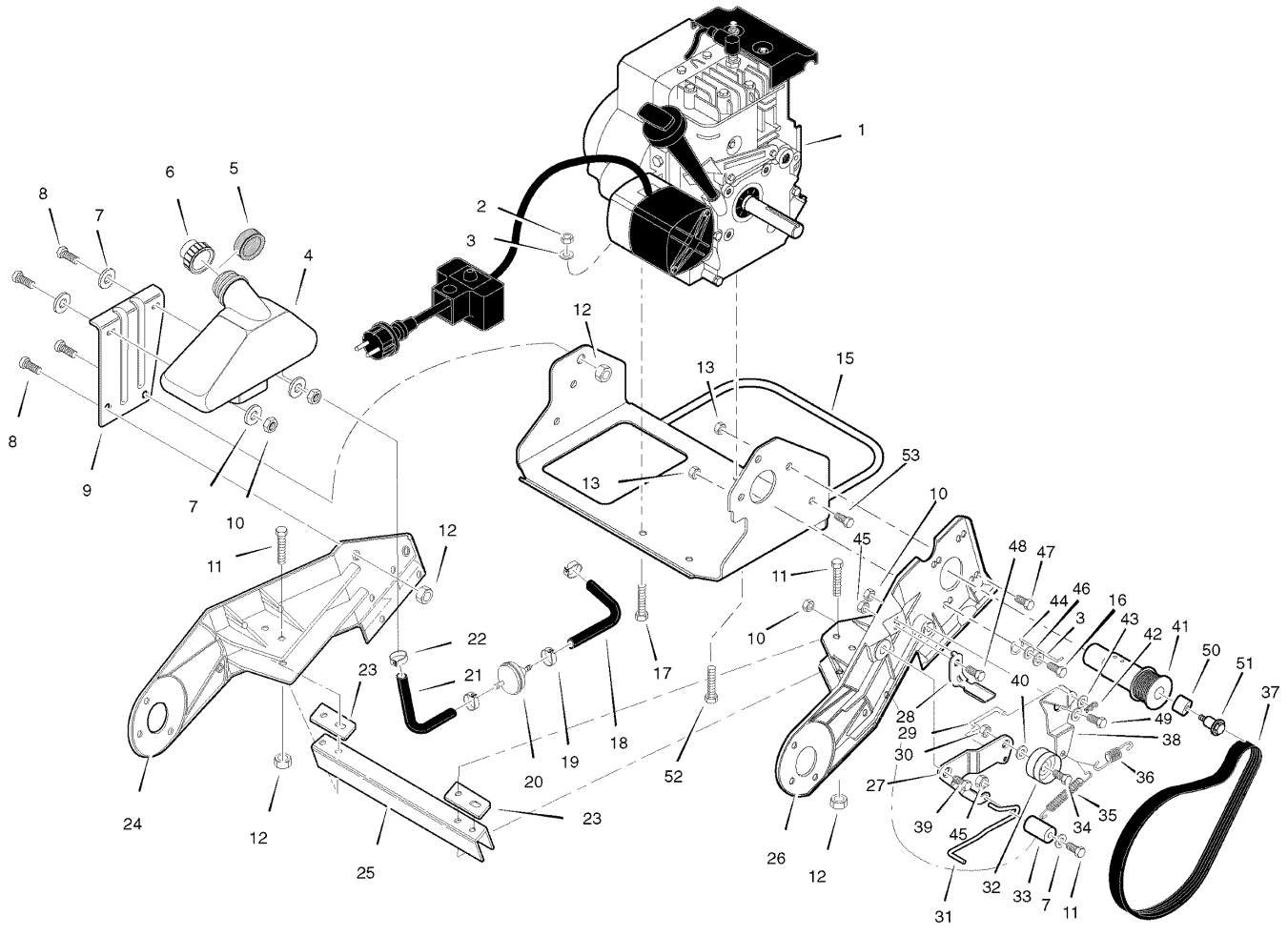


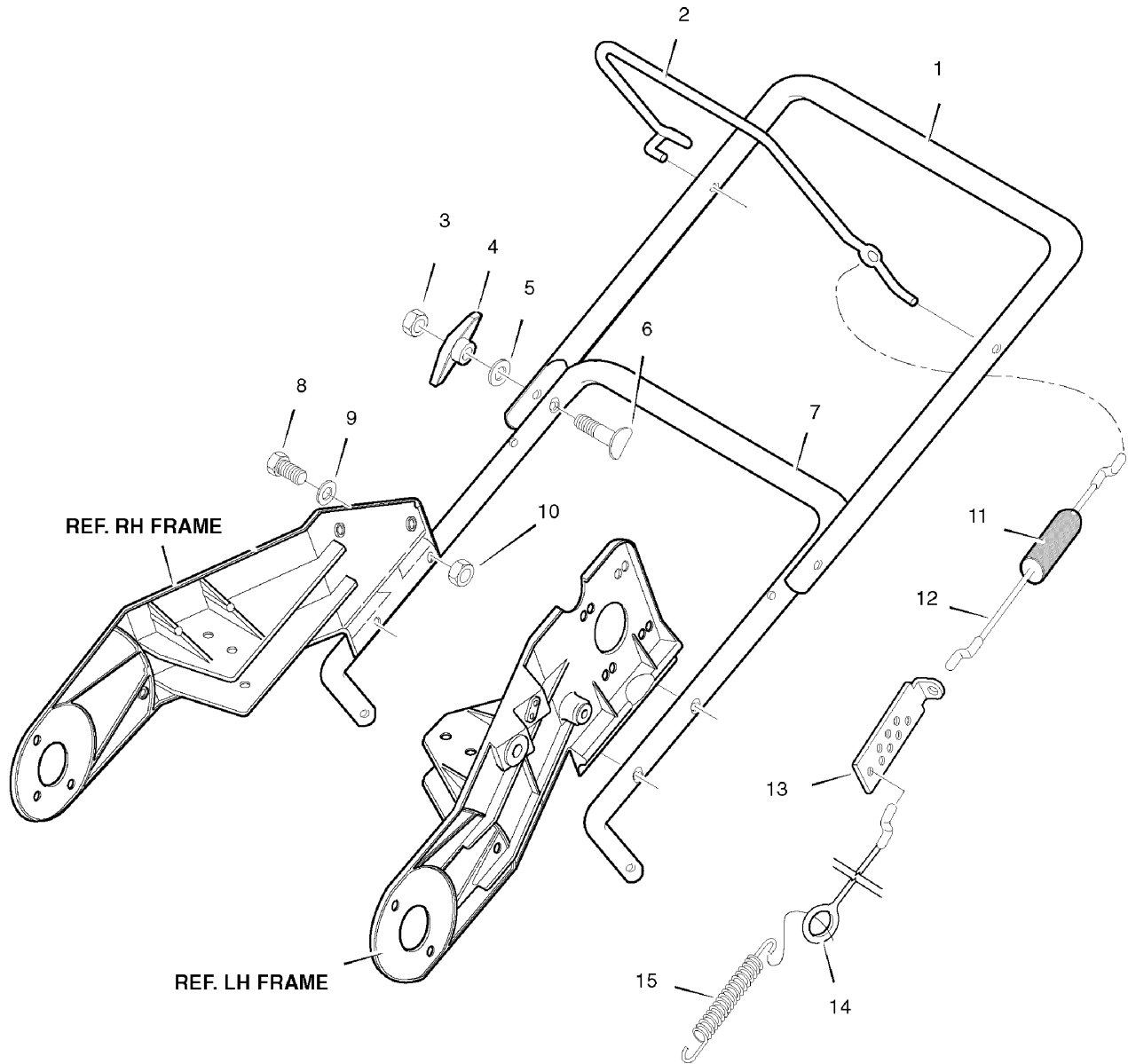
CHASSIS, ENGINE & PULLEYS (PM 50E, 961810004)



CHASSIS, ENGINE & PULLEYS (PM 50E, 961810004)

REF NO	PART NO.	DESCRIPTION	REF NO	PART NO.	DESCRIPTION
1	Order Parts From Engine Manufacturer	Engine	47	501 03 38-01	Screw
2	501 03 83-01	Nut	48	501 03 71-01	Screw
3	501 03 83-01	Washer, split lock	49	501 02 81-01	Screw
4	501 03 10-01	Tank Fuel	50	501 02 54-01	Spacer, drive pulley
5	501 03 99-01	Ring, foam fuel tank	51	501 02 43-01	Bolt, Engine pulley
6	501 02 32-01	Cap, fuel	52	501 02 62-01	Bolt, Engine pulley
7	501 03 86-01	Washer	53	501 02 78-01	Screw
8	501 03 86-01	Screw			
9	501 03 11-01	Bracket			
10	501 02 66-01	Nut			
11	501 02 58-01	Screw			
12	501 03 82-01	Nut			
13	501 03 95-01	Nut			
15	501 02 34-01	Cradle, weldment			
16	501 02 59-01	Bolt			
17	501 02 22-01	Bolt			
18	501 03 24-01	Tubeing, fuel line 6"			
19	501 03 03-01	Clamp, fuel line			
20	501 02 33-01	Filter Fuel line			
21	501 03 02-01	Tubing, fuel line 8"			
22	501 03 36-01	Clamp Hose Screw			
23	501 03 22-01	Plate bolting support			
24	501 02 40-01	Frame Rh. Side steel support			
25	501 03 17-01	Channel, frame support			
26	501 02 41-01	Frame Lh. Side steel support			
27	501 02 99-01	Lf arm, idler bracket			
28	501 03 16-01	Lf pad, brake			
29	501 02 86-01	Rod, clutch linkage			
30	501 03 78-01	Nut			
31	501 02 26-01	Wire clutch			
32	501 03 39-01	Pulley			
33	501 02 27-01	Roller, pinch			
34	501 02 72-01	Screw			
35	501 02 92-01	Spring extension			
36	501 02 91-01	Spring extension			
37	501 03 32-01	Belt			
38	501 02 88-01	Arm, idler pivot			
39	501 03 09-01	Bolt			
40	501 02 70-01	Washer			
41	501 02 44-01	Pulley, engine			
42	501 02 23-01	Pin,cotter			
43	501 03 34-01	Washer			
44	501 03 18-01	Guide Belt			
45	501 03 97-01	Nut			
46	501 03 87-01	Washer			

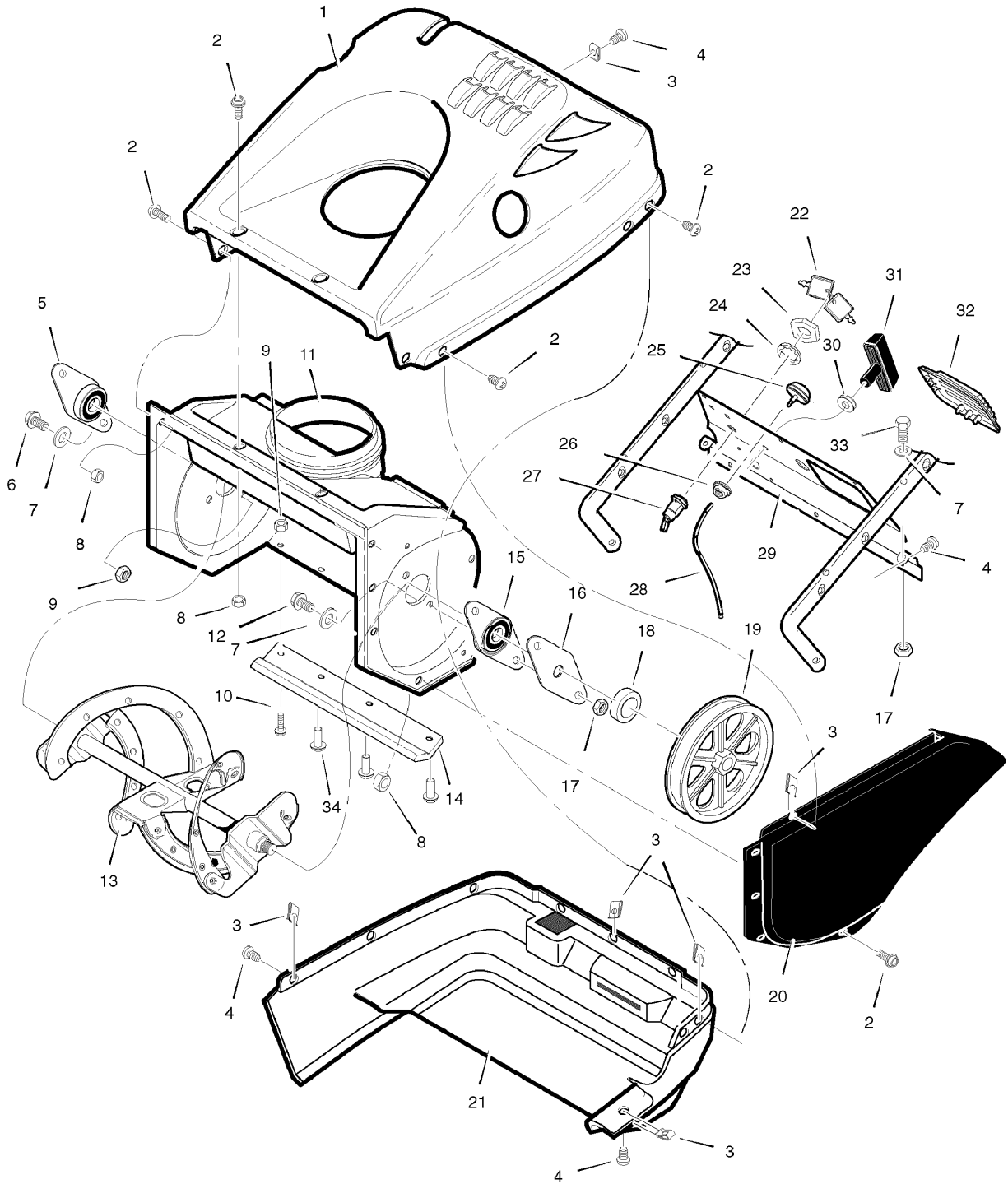
HANDLE & CONTROLS (PM 50E, 961810004)



HANDLE & CONTROLS (PM 50E, 961810004)

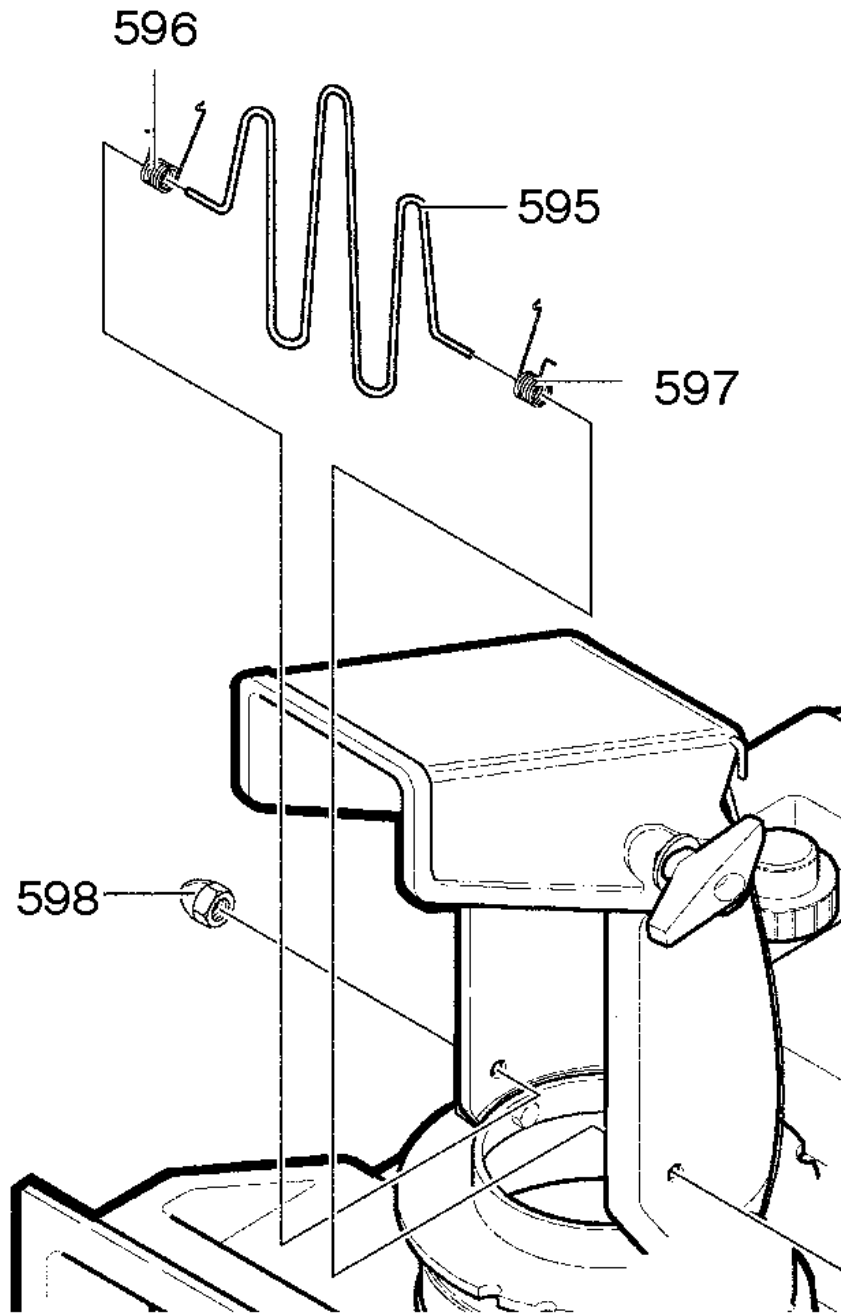
REF NO	PART NO.	DESCRIPTION
1	501 03 14-01	Handle, Upper
2	501 02 84-01	Bail, control
3	501 03 83-01	Nut
4	501 03 58-01	T-knob plastic
5	501 02 82-01	Washer
6	501 03 25-01	Bolt
7	501 03 13-01	Handle, Lower
8	501 02 93-01	Screw
9	501 03 86-01	Washer
10	501 03 97-01	Nut
11	501 02 76-01	Boot, Clutch spring
12	501 02 90-01	Cable, upper control
13	501 02 87-01	Bracket, cable adjust
14	501 02 89-01	Cable lower control
15	501 02 91-01	Spring extension

AUGER HOUSING & IMPELLER (PM 50E, 961810004)



AUGER HOUSING & IMPELLER (PM 50E, 961810004)

REF NO	PART NO.	DESCRIPTION
1	501 02 56-01	Cover top
2	501 02 24-01	Screw
3	501 03 68-01	Nut
4	501 02 96-01	Screw
5	501 03 61-01	Flange bearing
6	501 03 81-01	Screw
7	501 03 86-01	Washer
8	501 02 83-01	Nut
9	501 02 52-01	Nut
10	501 02 71-01	Screw
11	501 03 29-01	Auger Housing assembly
12	501 03 71-01	Screw
13	501 03 05-01	Auger Housing assembly complete
14	501 03 55-01	Balde scraper
15	501 03 76-01	Sf bearing & plate assembly
16	501 03 20-01	Lt plate, retainer bearing
17	501 03 97-01	Nut
18	501 03 67-01	Spacer sleeve
19	501 03 08-01	Pulley
20	501 03 28-01	Cover belt
21	501 02 28-01	Cover bottom
22	501 03 52-01	2 keys & ring assembly
23	501 02 69-01	Nut
24	501 02 95-01	Washer
25	501 02 30-01	Bulb, primer
26	501 02 67-01	Nut
27	501 03 56-01	Switch ignition
28	501 03 23-01	Hose primer 9.5"
29	501 02 29-01	Panel, control
30	501 03 59-01	Grommet & washer
31	501 02 50-01	Grip, recoil start
32	501 02 42-01	Panel, access spark plug
33	501 02 93-01	Screw
34	501 03 63-01	Rivet, offset

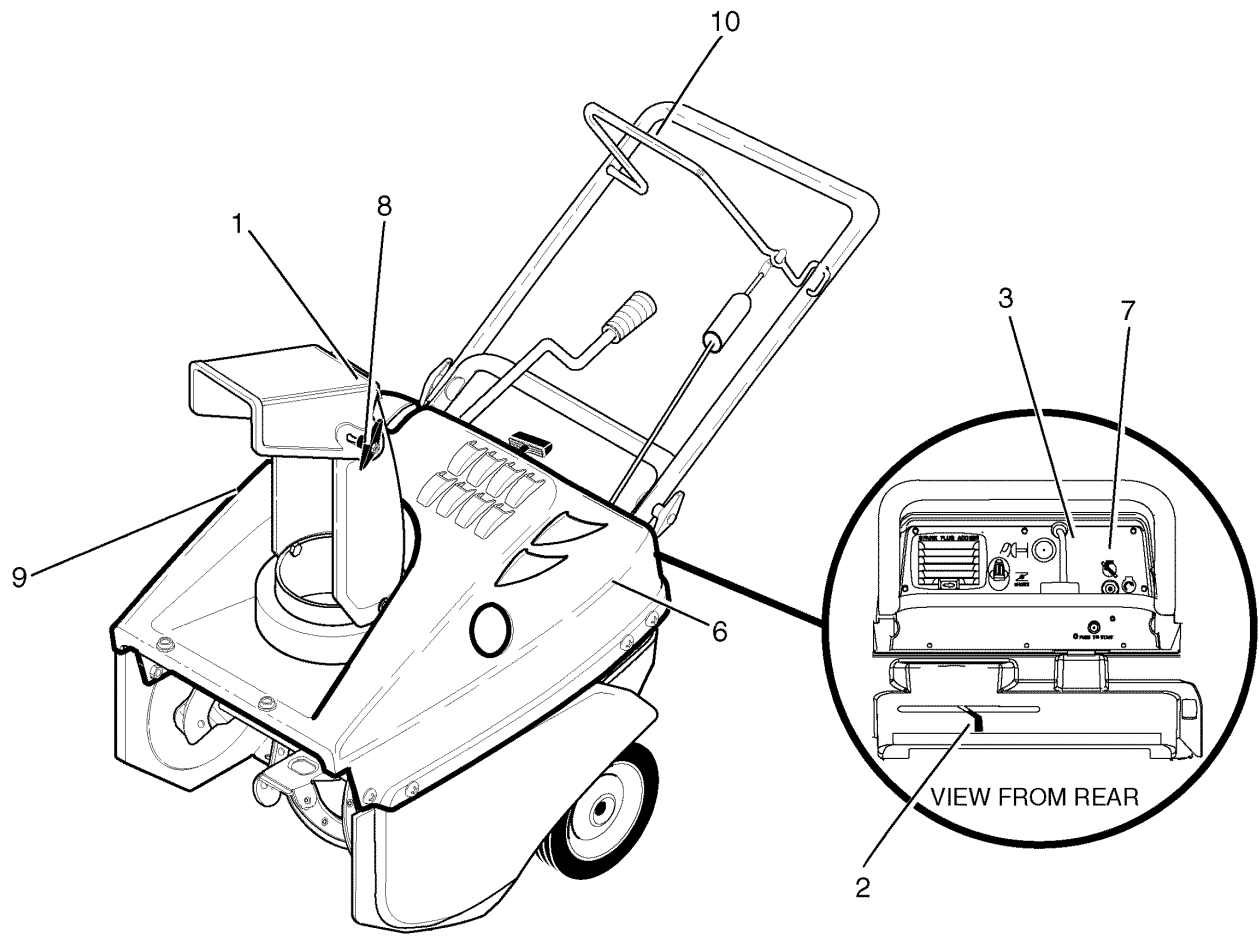


GUARDS (PM 50E, 961810004)

REF NO	PART NO.	DESCRIPTION
595	501 02 80-01	Guard, Wire Chute
596	501 03 53-01	Spring Torsion
597	501 03 54-01	Spring, Torsion
598	501 03 51-01	Nut



DECALS (PM 50E, 961810004)

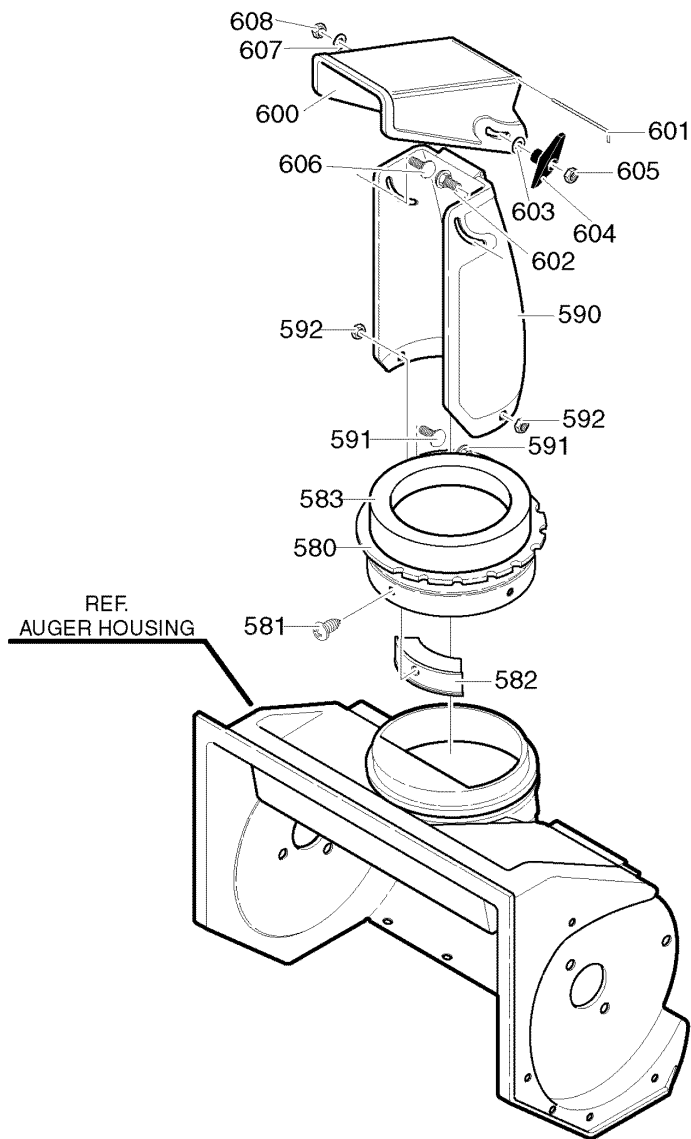


DECALS (PM 50E, 961810004)

REF NO	PART NO.	DESCRIPTION
1	501 03 41-01	Decal, EPA 5HP
2	501 03 43-01	Decal, Electric start
3	501 03 42-01	Decal, Dash
4	501 02 55-01	Decal, Partner 5.0/21
6	501 03 50-01	Decal, Muffler hot
7	501 03 43-01	Decal, Electric start
8	501 03 46-01	Decal, Danger Chute
9	501 03 47-01	Decal, Danger Auger
10	501 03 49-01	Decal, Auger Control



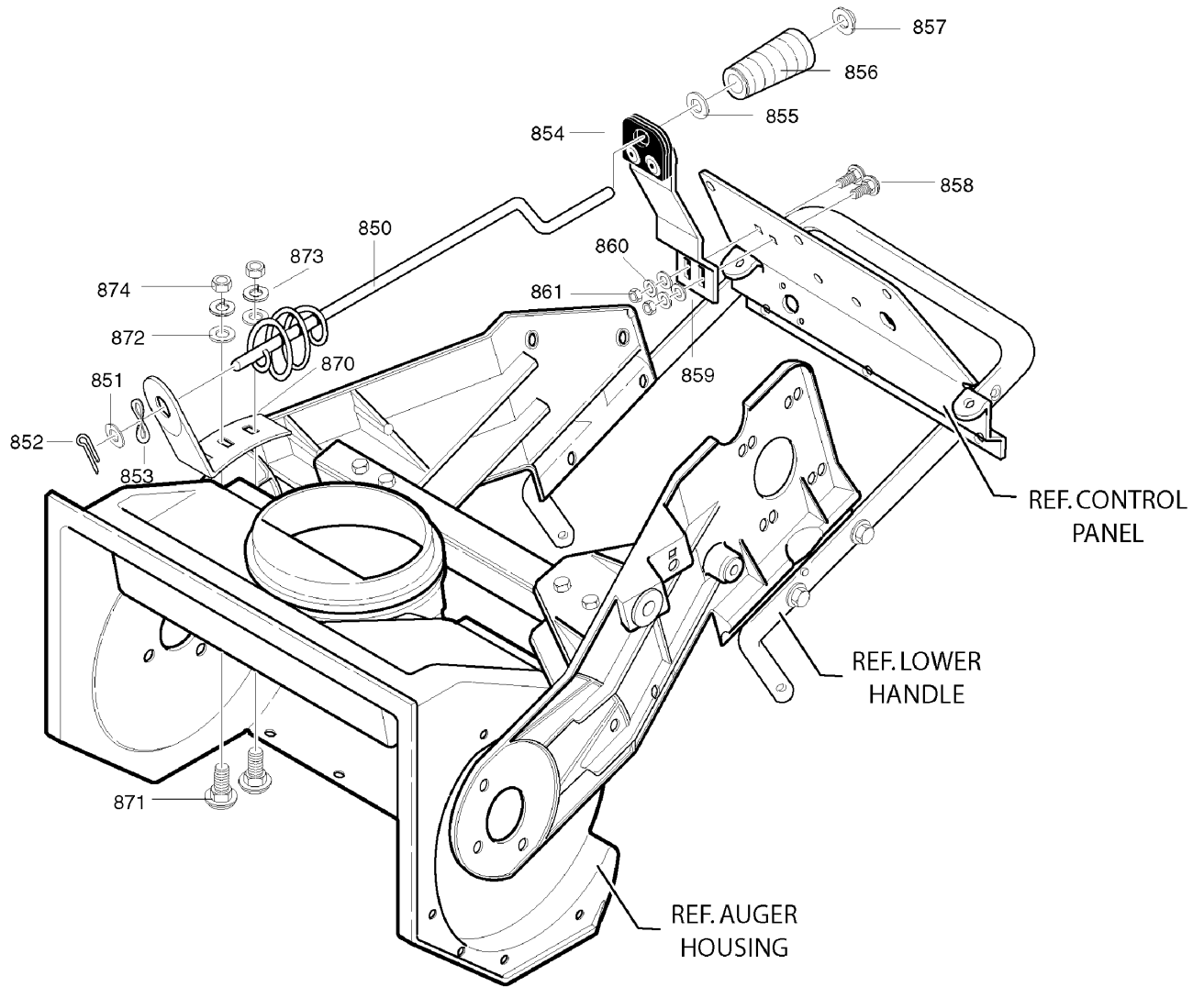
DISCHARGE CHUTE (PM 50E, 961810004)



DISCHARGE CHUTES (PM 50E, 961810004)

REF NO	PART NO.	DESCRIPTION
580	501 03 12-01	Ring, chute
581	501 03 92-01	Screw
582	501 03 60-01	Guide chute
583	501 03 98-01	Donut foam
590	501 02 75-01	Chute deflector lower
591	501 02 71-01	Screw
592	501 02 52-01	Nut
600	501 02 74-01	Chute deflector upper
601	501 02 79-01	Wire Chute hing
602	501 02 73-01	Bolt
603	501 03 87-01	Washer
604	501 03 58-01	Knob
605	501 03 83-01	Nut
606	501 03 66-01	Screw
607	501 03 87-01	Washer
608	501 03 95-01	Nut

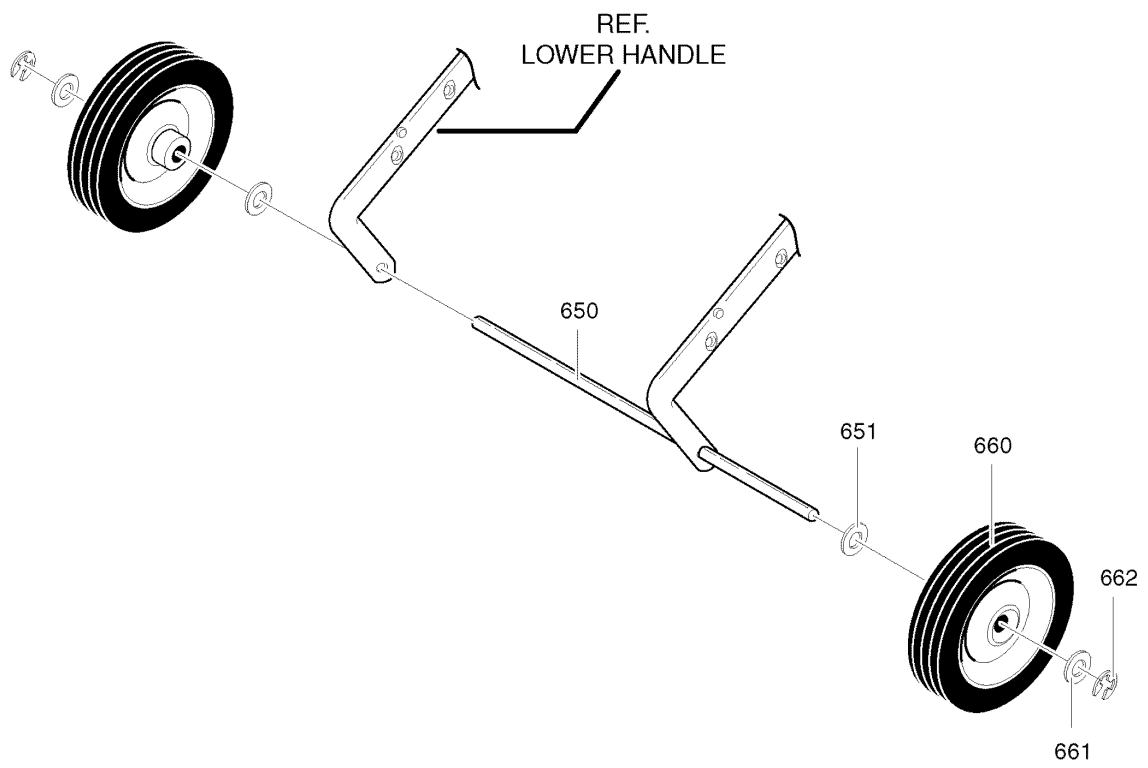
CONTROLS (PM 50E, 961810004)



CONTROLS (PM 50E, 961810004)

REF NO	PART NO.	DESCRIPTION
850	501 03 26-01	Rod Chute
851	501 03 88-01	Washer
852	501 03 89-01	Pin Cotter
853	501 02 85-01	Washer Curved
854	501 03 21-01	Assy Chute crank
855	501 03 88-01	Washer
856	501 03 57-01	Knob sleeve
857	501 03 06-01	Nut
858	501 03 30-01	Bolt
859	501 03 87-01	Washer
860	501 03 85-01	Washer
861	501 03 82-01	Nut
870	501 03 15-01	Bracket Chute rotate
871	501 03 31-01	Bolt
872	501 03 87-01	Washer
873	501 03 85-01	Washer
874	501 03 83-01	Nut

WHEELS (PM 50E, 961810004)



WHEELS (PM 50E, 961810004)

REF NO	PART NO.	DESCRIPTION
650	501 02 94-01	Axle Shaft
651	501 03 75-01	Washer
660	501 02 57-01	Tire & Rim
661	501 03 75-01	Washer
662	501 03 62-01	Ring retainer

