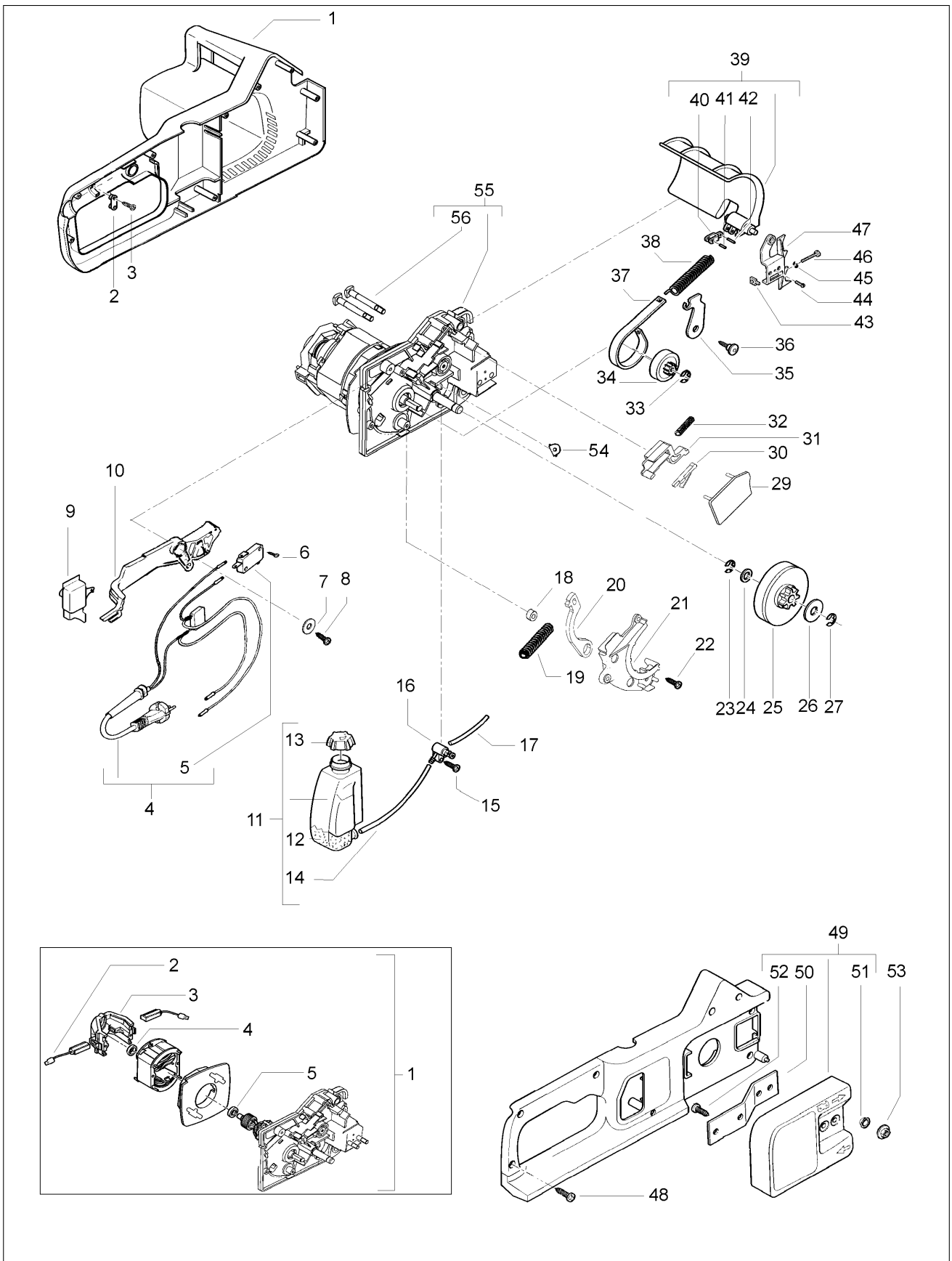


HUSQVARNA OUTDOOR PRODUCTS ITALIA

PNC	ML	Model	Brand
953900366	08	ELECTRAMAC 235	McCulloch
953900551			
953900552			
953900420			
953900644			
953900668			
953900497	08	MEL 235	McCulloch
953900663	08	ELECTRAMAC ES 1816	McCulloch
953900679	08	ELECTRAMAC ES 1750-14	McCulloch
953900745	08	ELECTRAMAC EL 1750-14	McCulloch

Number of Pages 1 of 3

Factory:	IIQ - Valmadrera	Product Group:	OP 93
Publication Number:	MIPL2007_V390000002	Petrol Portable	
Publication Date:	28/09/07	Sub Group	9434



Item	PN	Qty	Description
FIGURE 1			
1	538249134	1	crankcase kit, yellow
2	538241052	1	wires clamp
3	538241077	2	screw
C 4	538243008	1	wires ass'y(schuko)
C 4	538243039	1	wires ass'y(UK)
C 4	538243038	1	wires ass'y(CH)
C 4	538243044	1	wires ass'y(AU)
C 5 *	538242687	1	microswitch
6	538240862	1	screw, self threading 4x18
7	538241703	1	washer
8	538240833	1	screw, self threading 3x20
9	538243009	1	trigger
10	538243014	1	trigger lever
C 11	538004305	1	oil tank ass'y
12 *	538242365	1	oil filter
B 13 *	538241060	1	cap
C 14 *	538242402	1	oil tube (tank - oil pump)
15	538240862	1	screw, self threading 4x18
B 16	538241183	1	oil pump
17	538229743	1	oil tube (oil tank - chain)
B 18	538243005	1	bushing
19	538243006	1	spring
B 20	538243004	1	brake (stop in time)
21	538243007	1	brake cover
22	538240862	3	screw, self threading 4x18
23	538229137	1	seeger D.8
C 24	538241074	1	washer 10x15x1
A 25	538243909	1	gear
C 26	538241075	1	washer 10x30x0,8
B 27	538229137	1	seeger D.8
29	538243020	1	slide cover
C 30	538243019	1	trigger lock
C 31	538243018	1	slide
C 32	538241574	1	spring
33	538241073	1	seeger D.8
B 34	538243003	1	pinion
35	538241044	1	lever
36	538241045	1	screw
37	538241500	1	brake metal stripping
38	538241451	1	brake spring
39	538247717	1	brake lever ass'y
40 *	538241043	1	toggle
41 *	538229394	1	pin
42 *	538241978	1	pin
43	538241037	1	tensioner nut
44	538229082	1	screw
45	538235367	1	seeger ring

Item	PN	Qty	Description
46	538241167	1	screw
47	538241036	1	spiked bumper
48	538240862	8	screw, self threading 4x18
C 49	538004355	1	pinion cover ass'y
50 *	538241066	1	pinion cover plate
51 *	538241067	2	bushing
52 *	538241077	1	screw, self threading 4x14
A 53	538242501	2	nut M6
B 54	538243017	1	cap
55	—		FIGURE 2
A 56 *	538241035	2	bar bolt

FIGURE 2, 1500W — 1650W			
C 1	538243033	1	motor ass'y
C 2 *	538048956	2	brushes
C 3 *	538048957	1	brushes holder
C 4 *	538216400	1	bearing
C 5 *	538216404	1	bearing

FIGURE 2, 1700W — 1750W — 1800W — 1850W — 2200W			
C 1	538243035	1	motor ass'y
C 2 *	538048956	2	brushes
C 3 *	538048957	1	brushes holder
C 4 *	538216400	1	bearing
C 5 *	538216404	1	bearing

A = ALTA ROTAZIONE	A = HIGH MOVING	A = HAUTE DEMANDE	A = GROBE NACHFRAGE
B = MEDIA ROTAZIONE	B = MEDIUM MOVING	B = MOYENNE DEMANDE	B = MITTELMAESSIGE
C = BASSA ROTAZIONE	C = SLOW MOVING	C = BASSE DEMANDE	C = WENIGE NACHFRAGE
NUOVI CODICI	NEW PARTS	NOUVELLE REFERENCES	NEU CODEX