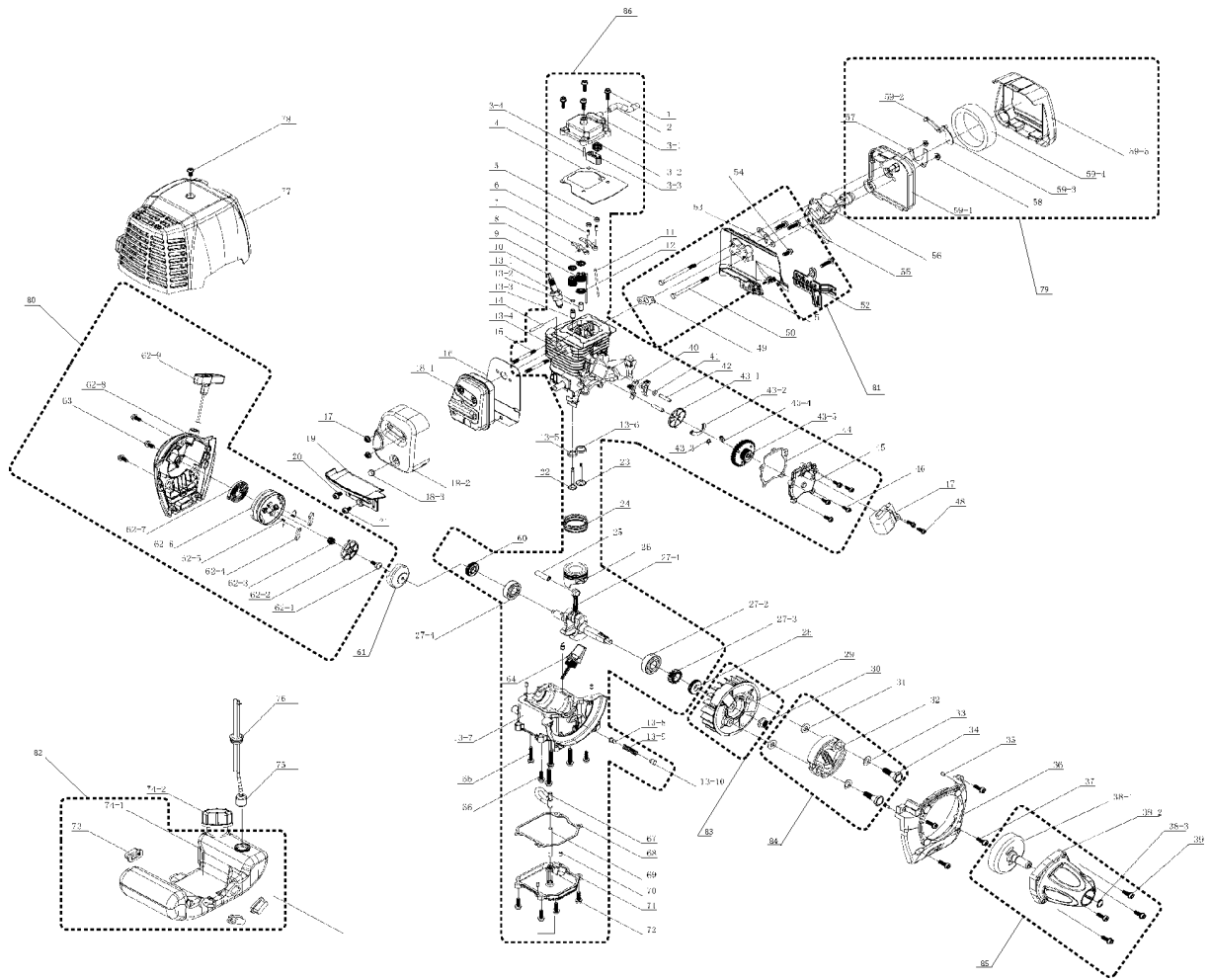




SPARE PARTS LIST

BRUSHCUTTERS/CLEARING SAWS

MAC BC 435 L, 965873901, 2010-05



ENGINE

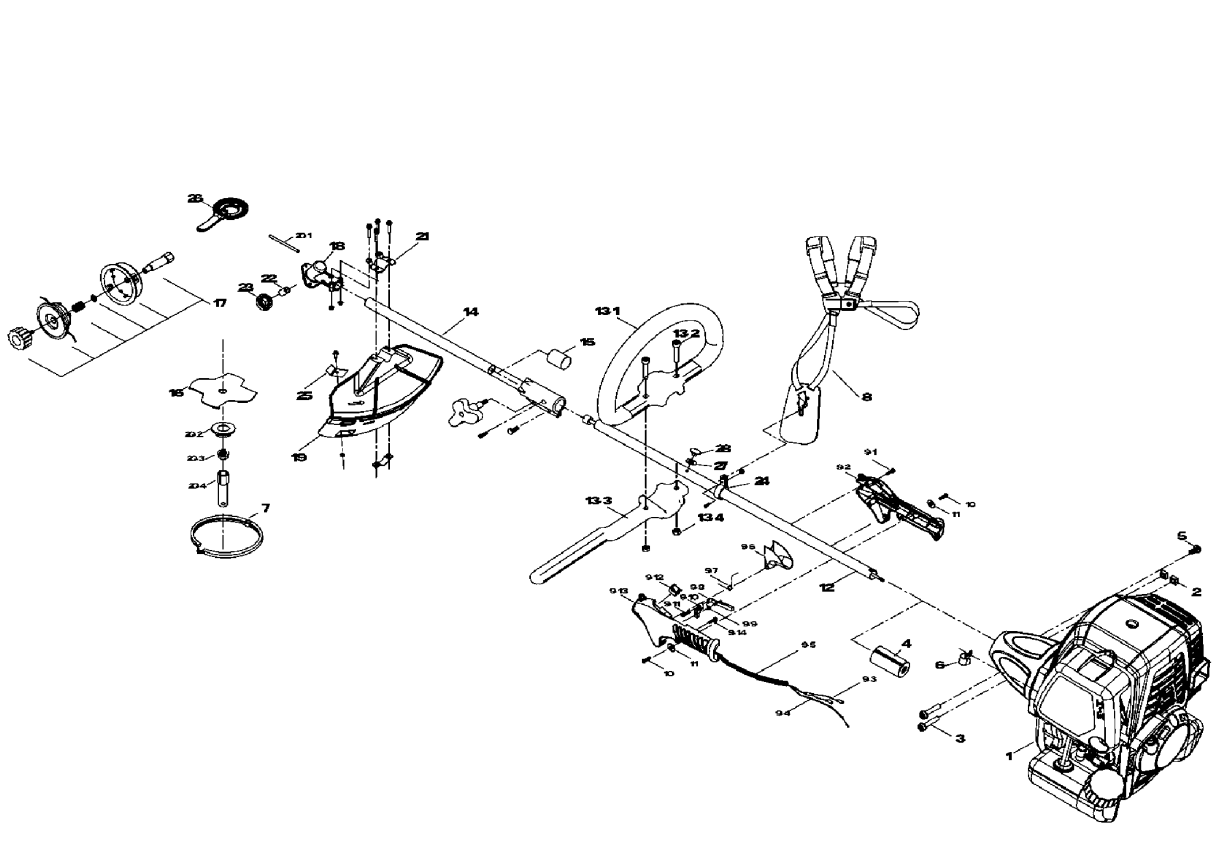
MAC BC 435 L, 965873901, 2010-05

| Ref | Part no. | Description | Remark | Qty | Kit |
|-----|--------------|--------------------|--------|-----|-----|
| 1 | 575 22 76-01 | BOLT | | 4 | |
| 2 | 575 22 77-01 | VENTILATING HOSE | | 1 | |
| 3 | 575 22 78-01 | COVER | | 1 | |
| 4 | 575 22 80-01 | GASKET | | 1 | |
| 5 | 575 22 81-01 | ADJUSTING NUT | | 2 | |
| 6 | 575 22 82-01 | ADJUSTING SCREW | | 2 | |
| 7 | 575 22 86-01 | PIVOTING ARM | | 2 | |
| 8 | 575 22 87-01 | SPRING RETAINER | | 2 | |
| 9 | 575 22 88-01 | SPRING | | 2 | |
| 10 | 575 28 77-01 | SPARK PLUG | | 1 | |
| 11 | 575 22 90-01 | PUSH ROD | | 2 | |
| 12 | 575 22 94-01 | SEALING | | 1 | |
| 13 | 575 23 18-01 | CYLINDER | | 1 | |
| 14 | 575 23 19-01 | SHAFT | | 1 | |
| 15 | 575 23 22-01 | STUD SCREW | | 2 | |
| 16 | 575 23 23-01 | PLATE | | 1 | |
| 17 | 575 23 25-01 | NUT | | 2 | |
| 18 | 575 23 26-01 | MUFFLER ASSY | | 1 | |
| 19 | 575 23 32-01 | COVER PLATE | | 1 | |
| 20 | 575 22 76-01 | BOLT | | 1 | |
| 21 | 575 23 39-01 | BOLT | | 1 | |
| 22 | 575 23 43-01 | EXHAUST VALVE | | 1 | |
| 23 | 575 23 45-01 | VALVE | | 1 | |
| 24 | 575 23 48-01 | PISTON RING | | 1 | |
| 25 | 575 23 49-01 | PISTON PIN | | 1 | |
| 26 | 575 23 51-01 | PISTON | | 1 | |
| 27 | 575 23 54-01 | CRANKSHAFT ASSY | | 1 | |
| 28 | 575 23 60-01 | RADIAL SEAL | | 1 | |
| 29 | 575 23 61-01 | FLYWHEEL ASSY | | 1 | |
| 30 | 575 23 62-01 | NUT FLANGE | | 1 | |
| 31 | 575 23 70-01 | WASHER | | 2 | |
| 32 | 575 23 71-01 | CLUTCH ASSY | | 1 | |
| 33 | 575 23 72-01 | SPRING WASHER | | 2 | |
| 34 | 575 23 73-01 | BOLT | | 2 | |
| 35 | 575 23 74-01 | GUIDE PIN | | 2 | |
| 36 | 575 23 75-01 | COVER | | 1 | |
| 37 | 575 22 76-01 | BOLT | | 4 | |
| 38 | 575 23 76-01 | CLUTCH DRUM ASSY | | 1 | |
| 39 | 575 23 77-01 | SCREW | | 4 | |
| 40 | 575 23 78-01 | LIFTING ARM | | 2 | |
| 41 | 575 23 79-01 | WASHER | | 1 | |
| 42 | 575 24 28-01 | SHAFT | | 2 | |
| 43 | 575 24 31-01 | CAMSHAFT | | 1 | |
| 44 | 575 24 34-01 | GASKET | | 1 | |
| 45 | 575 24 36-01 | COVER | | 1 | |
| 46 | 575 24 37-01 | BOLT | | 5 | |
| 47 | 575 24 38-01 | IGNITION COIL ASSY | | 1 | |
| 48 | 575 24 39-01 | BOLT | | 2 | |
| 49 | 575 24 41-01 | GASKET INTAKE | | 1 | |
| 50 | 575 24 42-01 | BOLT | | 2 | |
| 51 | 575 24 43-01 | INSULATION WALL | | 1 | |
| 52 | 575 28 13-01 | PLATE | | 1 | |
| 53 | 575 28 16-01 | GASKET | | 1 | |
| 54 | 575 28 18-01 | BOLT | | 1 | |
| 55 | 575 28 19-01 | BOLT | | 3 | |
| 56 | 575 28 20-01 | CARBURETTOR ASSY | | 1 | |
| 57 | 575 28 25-01 | PLATE | | 1 | |
| 58 | 575 28 29-01 | NUT FLANGE | | 2 | |
| 59 | 575 28 35-01 | FILTER HOLDER ASSY | | 1 | |
| 60 | 575 23 60-02 | RADIAL SEAL | | 1 | |
| 61 | 575 28 55-01 | DRIVER | | 1 | |
| 62 | 575 28 57-01 | STARTER ASSY | | 1 | |
| 63 | 575 23 39-01 | BOLT | | 3 | |
| 64 | 575 28 59-01 | OIL GAUGE | | 1 | |

ENGINE

MAC BC 435 L, 965873901, 2010-05

| Ref | Part no. | Description | Remark | Qty | Kit |
|-----|--------------|--------------------|--------|-----|-----|
| 65 | 575 28 61-01 | BOLT | | 4 | |
| 66 | 575 22 76-01 | BOLT | | 2 | |
| 67 | 575 28 64-01 | PIPE BEND | | 1 | |
| 68 | 575 28 67-01 | GASKET | | 1 | |
| 69 | 575 28 68-01 | PIPE | | 1 | |
| 70 | 575 23 74-01 | GUIDE PIN | | 2 | |
| 71 | 575 28 70-01 | LID | | 1 | |
| 72 | 575 22 76-01 | BOLT | | 4 | |
| 73 | 575 28 71-01 | RUBBER DAMPER | | 3 | |
| 74 | 575 28 72-01 | FUEL TANK ASSY | | 1 | |
| 742 | 575 28 73-01 | TANK CAP ASSY | | 1 | |
| 75 | 575 28 74-01 | FUEL FILTER ASSY | | 1 | |
| 76 | 575 28 75-01 | FUEL HOSE | | 1 | |
| 77 | 575 28 76-01 | CYLINDER COVER | | 1 | |
| 78 | 575 28 18-01 | BOLT | | 1 | |
| 79 | 585 36 16-01 | FILTER HOLDER ASSY | | 1 | |
| 80 | 585 36 12-01 | STARTER ASSY | | 1 | |
| 81 | 585 36 17-01 | MANIFOLD | | 1 | |
| 82 | 585 36 13-01 | TANK ASSY | | 1 | |
| 83 | 585 36 14-01 | FLYWHEEL ASSY | | 1 | |
| 84 | 585 36 15-01 | CLUTCH ASSY | | 1 | |
| 85 | 585 36 18-01 | CLUTCH DRUM ASSY | | 1 | |
| 86 | 585 36 11-01 | ENGINE ASSY | | 1 | |



SHAFT & HANDLE

MAC BC 435 L, 965873901, 2010-05

| Ref | Part no. | Description | Remark | Qty | Kit |
|------|--------------|-------------------------|--------|-----|-----|
| 2 | 574 31 67-01 | NUT | | 2 | |
| 3 | 574 31 68-01 | SCREW | | 2 | |
| 4 | 574 31 69-01 | ADAPTER | | 1 | |
| 5 | 574 31 70-01 | SCREW | | 1 | |
| 6 | 574 31 71-01 | FIXING WASHER | | 1 | |
| 7 | 574 31 72-01 | TRANSPORT GUARD | | 2 | |
| 7 | 574 31 72-01 | TRANSPORT GUARD | | 2 | |
| 9 | 574 31 72-01 | TRANSPORT GUARD | | 1 | |
| 9-1 | 574 32 78-01 | THROTTLE HANDLE ASSY | | 1 | |
| 9-2 | - | TBD | | 1 | 9 |
| 9-3 | 574 31 78-01 | WIRE ASSY | | 1 | |
| 9-4 | 574 31 79-01 | THROTTLE CABLE | | 1 | |
| 9-5 | - | TBD | | 1 | 9 |
| 9-6 | 574 31 81-01 | THROTTLE CONTROL | | 1 | |
| 9-7 | 574 31 82-01 | SPRING | | 1 | |
| 9-8 | 574 31 83-01 | THROTTLE LOCKOUT | | 1 | |
| 9-9 | 574 31 84-01 | THROTTLE LOCKOUT SPRING | | 1 | |
| 9-10 | - | TBD | | 1 | 9 |
| 9-11 | 574 31 86-01 | SCREW | | 1 | |
| 9-12 | 574 31 87-01 | STOP CONTROL | | 1 | |
| 9-13 | - | TBD | | 1 | 9 |
| 9-14 | 574 31 89-01 | SCREW | | 1 | |
| 10 | 574 31 90-01 | SCREW | | 2 | |
| 11 | 574 31 91-01 | WASHER | | 2 | |
| 12 | 574 32 80-01 | TUBE DRIVESHAFT ASSY | | 1 | |
| 13 | 574 31 93-01 | FRONT HANDLE ASSY | | 1 | |
| 13-1 | - | TBD | | 1 | 13 |
| 13-2 | 574 31 95-01 | SCREW | | 2 | |
| 13-3 | - | TBD | | 1 | 13 |
| 13-4 | 574 31 97-01 | NUT | | 2 | |
| 14 | 574 32 79-01 | TUBE DRIVESHAFT ASSY | | 1 | |
| 16 | 574 31 98-01 | GRASS BLADE | | 1 | |
| 17 | 531 02 50-04 | TRIMMER HEAD | | 1 | |
| 18 | 574 32 24-01 | GEAR HOUSING ASSY | | 1 | |
| 19 | 574 32 26-01 | COMBINATION GUARD | | 1 | |
| 20 | 574 32 27-01 | FLANGE | | 1 | |
| 20-1 | 574 32 28-01 | DOLLY | | 1 | |
| 20-2 | 574 32 29-01 | FLANGE | | 1 | |
| 20-3 | 574 32 30-01 | NUT | | 1 | |
| 20-4 | 574 32 31-01 | SOCKET WRENCH | | 1 | |
| 21 | 574 32 33-01 | FIXING PLATE | | 1 | |
| 22 | 574 32 51-01 | SPLINEWAY | | 1 | |
| 23 | 574 32 58-01 | DRIVER FLANGE | | 1 | |
| 24 | 574 32 61-01 | LOOP | | 1 | |
| 25 | 574 32 64-01 | BLADE | | 1 | |
| 26 | 574 32 74-01 | SPANNER | | 1 | |
| 27 | 574 32 75-01 | WASHER | | 1 | |