

ILLUSTRATED PARTS LIST

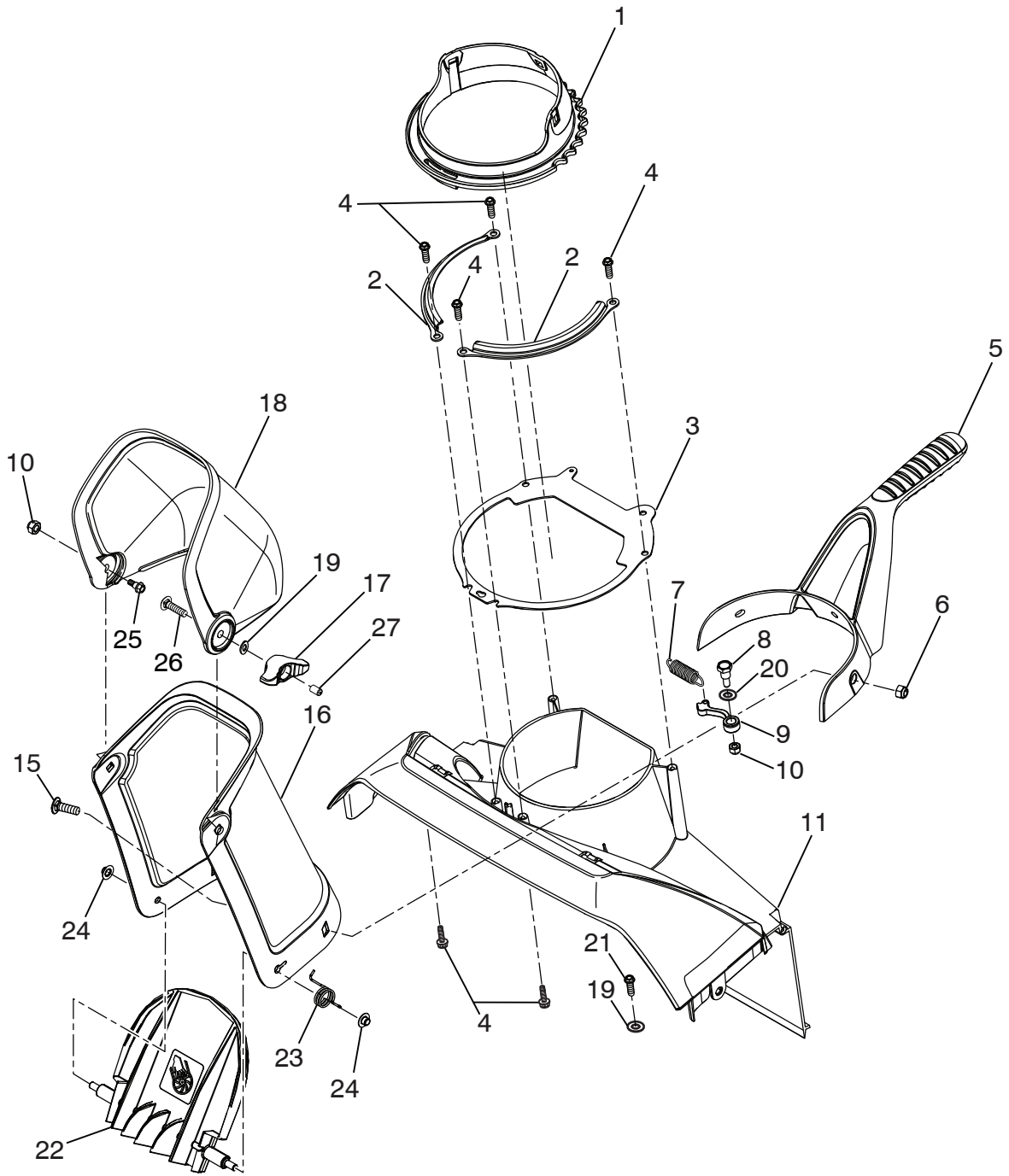
MODEL NUMBER MSB121

PRODUCT NUMBER 961 81 00-07

MFG. ID. NUMBER 96181000701

REPAIR PARTS SNOW THROWER - - MODEL NUMBER MSB121 (96181000701)

CHUTE ASSEMBLY



SSST-Chute asm_12

NOTE: All component dimensions given in U.S. inches. 1 inch = 25.4 mm
IMPORTANT: Use only Original Equipment Manufacturer (O.E.M.) replacement parts. Failure to do so could be hazardous, damage your snow thrower and void your warranty.

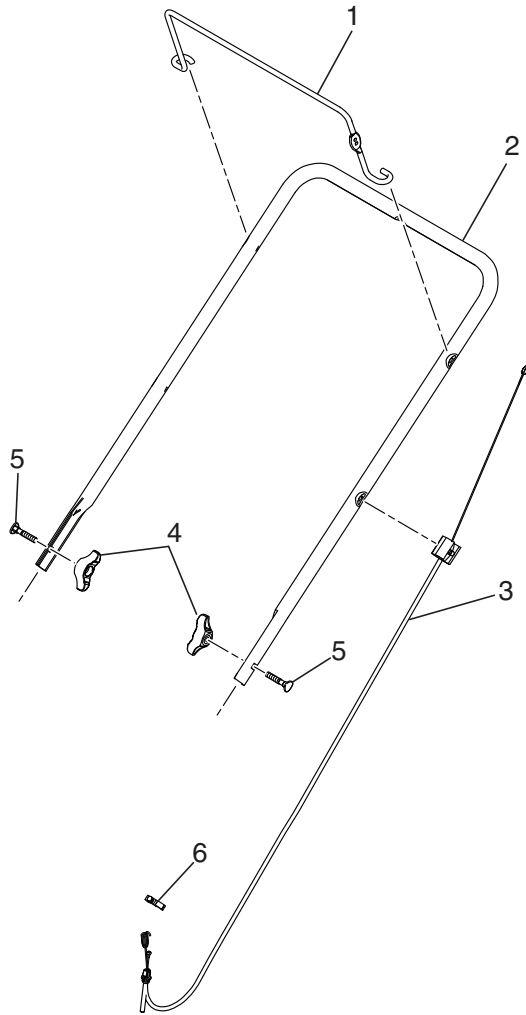
REPAIR PARTS SNOW THROWER - - MODEL NUMBER MSB121 (96181000701)

CHUTE ASSEMBLY

KEY NO.	PART NO.	QTY	DESCRIPTION
1	532 43 48-77	1	CHUTE.RATCHETING.PLASTIC.W/GRV
2	532 43 76-40	2	PLATE.CHUTE.RETAINER
3	532 43 76-35	1	PLATE.CHUTE.BASE
4	817 41 13-12	6	BOLT.HEX.WSH.HD.13-16 X 3/4
5	532 43 76-42	1	HANDLE.CHUTE.MS428
6	873 97 05-00	3	NUT.LOCK.HX.W/INS 5/16-18 UNC PL
7	532 43 48-79	1	SPRING.RATCHET.ARM
8	532 08 13-28	1	BOLT.SHOULDER.1/4-20 UNC X .94
9	532 43 48-78	1	ARM.CHUTE.RATCHET
10	532 13 20-04	2	HEX NUT.1/4-20 NYLON LOCKING
11	532 44 33-96	1	PLENUM
15	532 43 73-18	3	CARRIAGE.BOLT
16	532 43 76-41	1	CHUTE
17	532 19 19-38	1	HANDLE.KNOB
18	532 43 76-43	1	DEFLECTOR.CHUTE
19	819 13 13-16	1	WASHER
20	819 13 24-16	1	WASHER.RATCHET.PAWL
21	532 42 88-67	1	BOLT
22	532 43 76-45	1	GUARD.CHUTE
23	532 43 66-22	1	SPRING.CHUTE.GUARD
24	532 44 22-51	2	NUT.PUSH
25	532 44 46-82	1	SHOULDER BOLT 1/4-20
26	872 11 05-10	1	CARRIAGE BOLT 5/16-18
27	532 07 16-73	1	CAP PLUNGER

NOTE: All component dimensions given in U.S. inches. 1 inch = 25.4 mm
IMPORTANT: Use only Original Equipment Manufacturer (O.E.M.) replacement parts.
 Failure to do so could be hazardous, damage your snow thrower and void your warranty.

**REPAIR PARTS SNOW THROWER - - MODEL NUMBER MSB121 (96181000701)
HANDLE ASSEMBLY**

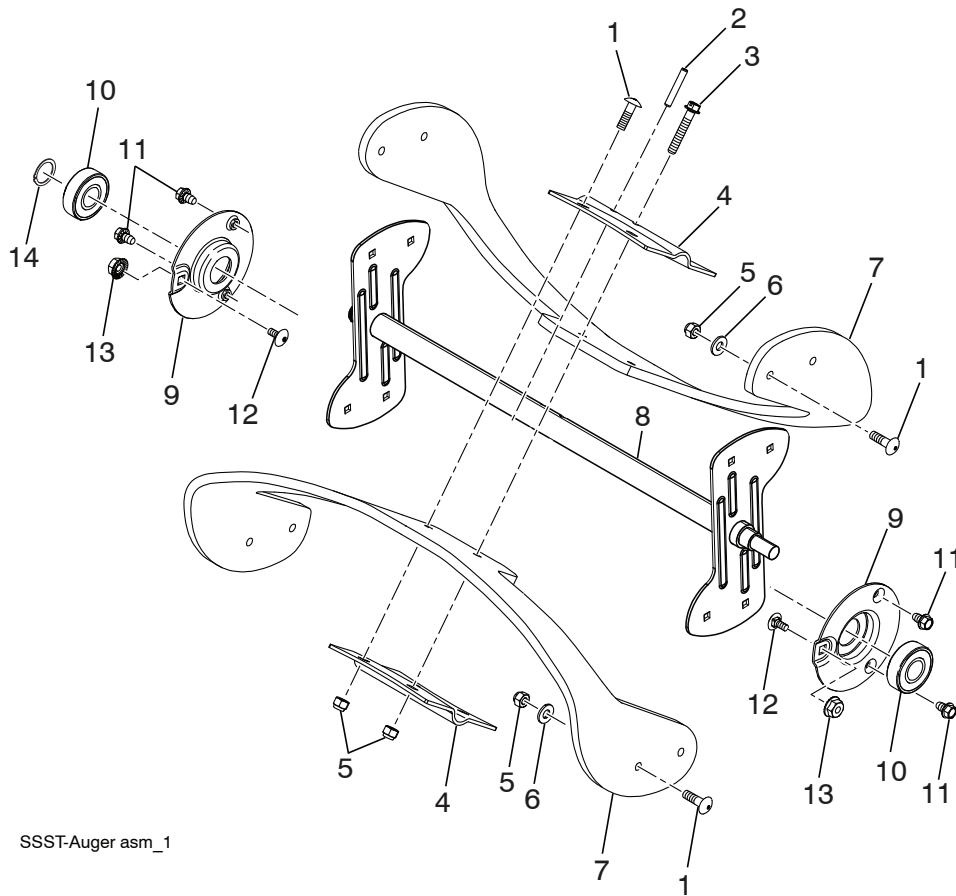


SSST-Handle asm_1

KEY NO.	PART NO.	QTY	DESCRIPTION
1	532 43 76-47	1	BAIL.HANDLE.PAINT
2	532 44 46-41	1	HANDLE.PNT.UPPER.SSST
3	532 43 48-06	1	CONTROL.CABLE
4	532 19 19-38	2	KNOB.HANDLE.BLACK
5	532 19 15-74	2	BOLT.HANDLE.BLACK PATCHED
6	532 14 50-06	1	CLIP.PUSH-IN.HINGED

NOTE: All component dimensions given in U.S. inches. 1 inch = 25.4 mm
IMPORTANT: Use only Original Equipment Manufacturer (O.E.M.) replacement parts.
 Failure to do so could be hazardous, damage your snow thrower and void your warranty.

REPAIR PARTS SNOW THROWER - - MODEL NUMBER MSB121 (96181000701) AUGER ASSEMBLY

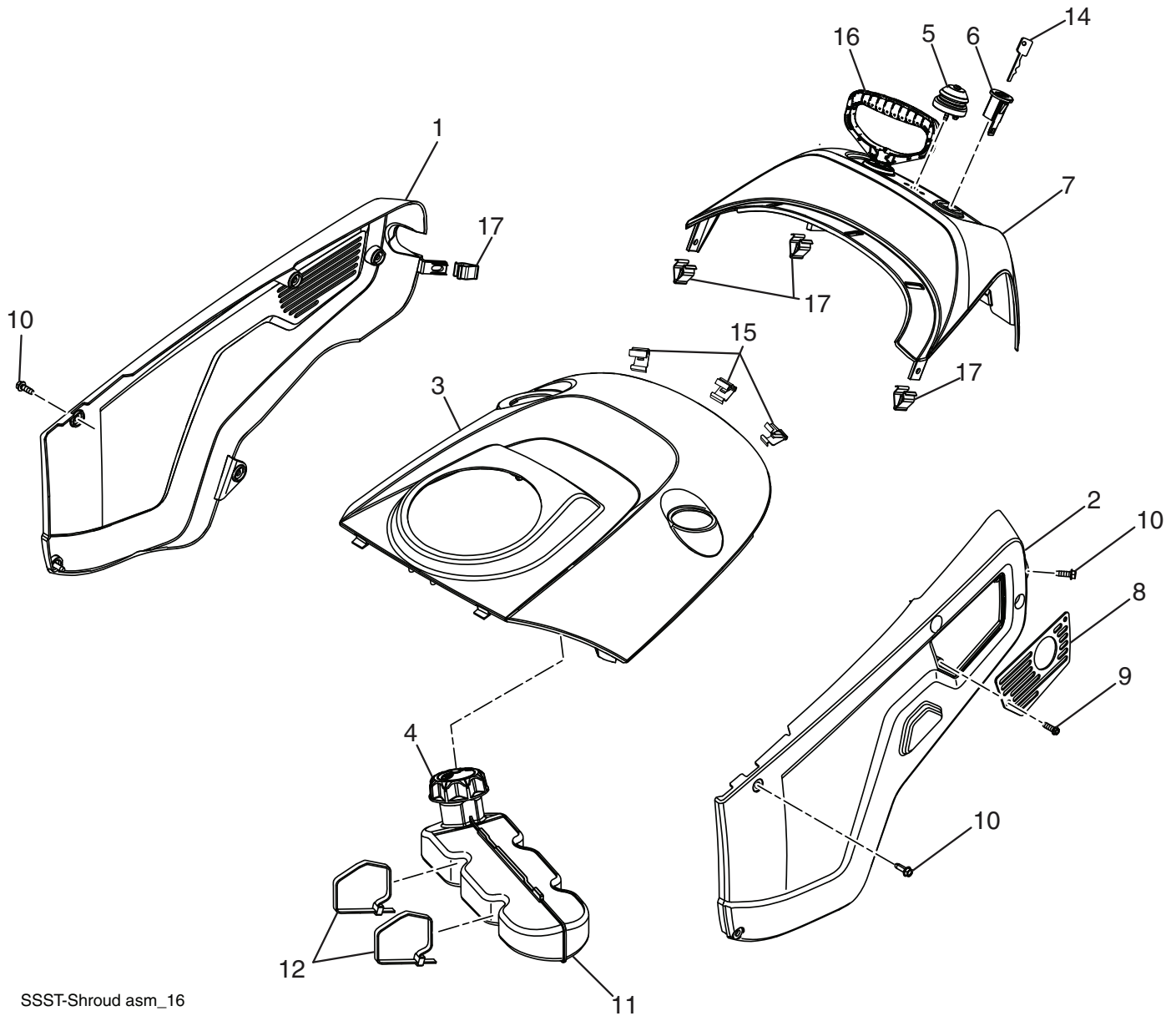


SSST-Auger asm_1

KEY NO.	PART NO.	QTY	DESCRIPTION
1	872 11 04-07	12	BOLT.CARRIAGE
2	532 43 76-20	1	PIN.ROLL.3/16 X 1-1/4
3	532 19 96-87	1	BOLT.1/4-20.1.50"
4	532 43 76-18	2	PLATE.CENTER.BLADE
5	532 13 20-04	13	HEX NUT.1/4-20 NYLON LOCKING
6	819 09 10-16	8	WASHER 9/32 X 5/8 X 16 GA.
7	532 44 27-59	2	BLADE.AUGER
8	532 43 76-17	1	WELDMENT.AUGER.ASM
9	532 43-76-21	2	SUPPORT.BEARING.SSST.PNT
10	532 11 04-85	2	BEARING.BALL.MANDREL
11	817 60 04-06	4	SCREW.HEX.WASHEAD.1/4-20 X 3/8
12	872 11 04-04	2	BOLT.CARR.SS.1/4-20 UNC X 1/2.GR5
13	532 43 81-30	2	NUT.FLANGE.1.4.20
14	812 00 00-28	1	RETAINING.CLIP

NOTE: All component dimensions given in U.S. inches. 1 inch = 25.4 mm
IMPORTANT: Use only Original Equipment Manufacturer (O.E.M.) replacement parts.
 Failure to do so could be hazardous, damage your snow thrower and void your warranty.

REPAIR PARTS SNOW THROWER - - MODEL NUMBER MSB121 (96181000701) SHROUD ASSEMBLY



SSST-Shroud asm_16

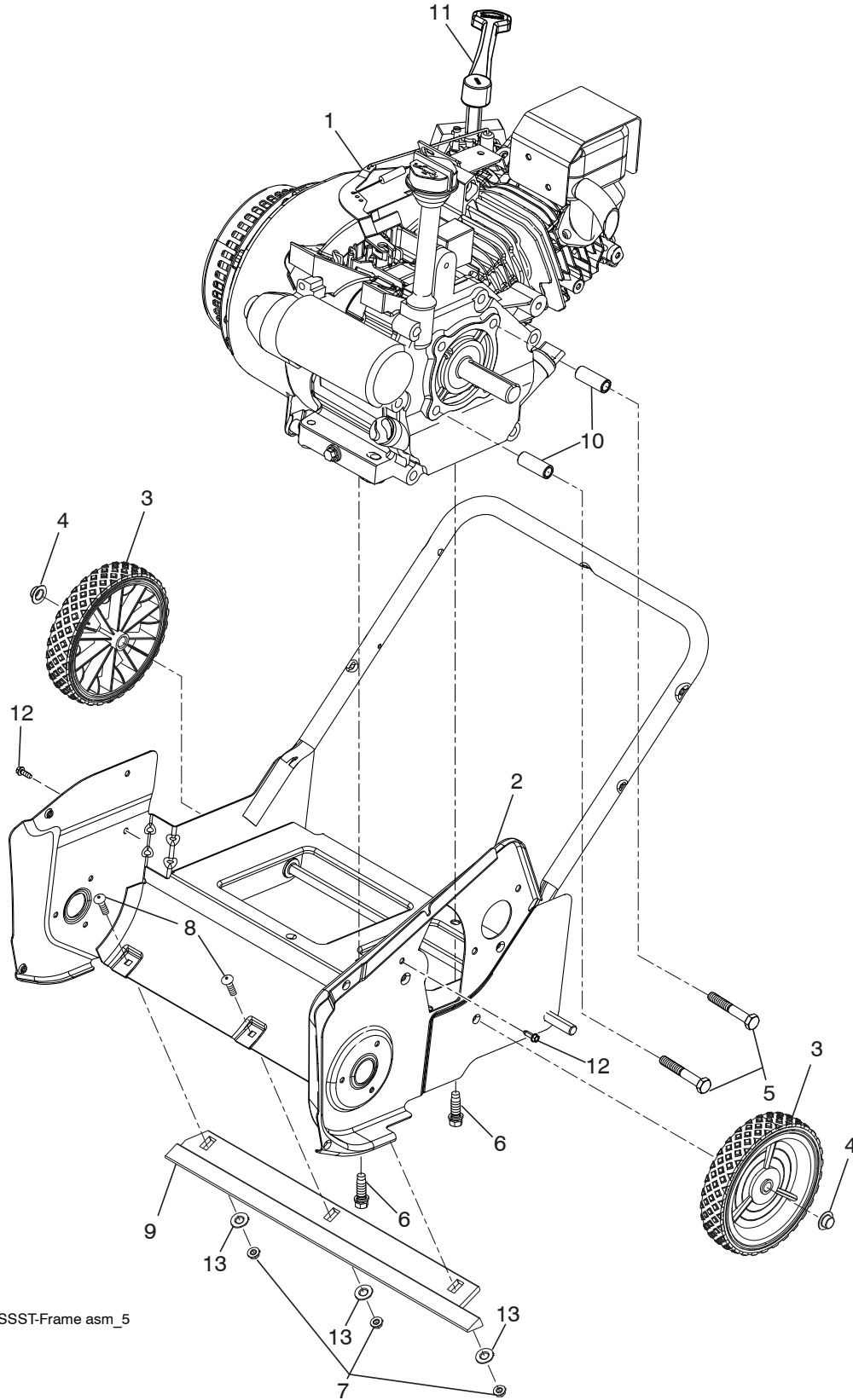
NOTE: All component dimensions given in U.S. inches. 1 inch = 25.4 mm
IMPORTANT: Use only Original Equipment Manufacturer (O.E.M.) replacement parts.
Failure to do so could be hazardous, damage your snow thrower and void your warranty.

**REPAIR PARTS SNOW THROWER - - MODEL NUMBER MSB121 (96181000701)
SHROUD ASSEMBLY**

KEY NO.	PART NO.	QTY	DESCRIPTION
1	532 44 33-97	1	COVER.NON-DRIVE.SIDE.MS428
2	532 44 33-98	1	COVER.DRIVE.SIDE.MS428
3	532 44 33-99	1	TOP.COVER
4	532 43 02-20	1	CAP.ASM.FUEL.2.25"FR.N/CB.E10
5	532 43 62-35	1	BULB.PRIMER
6	532 43 54-07	1	KEY HOUSING
7	532 43 76-58	1	TOP.REAR.COVER
8	532 43 76-31	1	PLATE.EXHAUST.PNT.
9	817 41 13-12	4	SCREW
10	532 44 22-50	10	SCREW.HEXWSH.THDROL.1/4-20X3/4
11	532 43 48-80	1	TANK.FUEL.ASM.
12	532 14 68-48	2	TIE.CABLE.24.5X.29.NYLON.WHITE
14	532 43 54-09	2	KEY
15	532 19 66-88	3	THREADED.CLIP
16	532 43 62-76	1	HDL.STARTER(RECOIL)
17	532 43 48-68	4	CLIP.TRIM

NOTE: All component dimensions given in U.S. inches. 1 inch = 25.4 mm
IMPORTANT: Use only Original Equipment Manufacturer (O.E.M.) replacement parts.
 Failure to do so could be hazardous, damage your snow thrower and void your warranty.

REPAIR PARTS SNOW THROWER - - MODEL NUMBER MSB121 (96181000701) FRAME ASSEMBLY



SSST-Frame asm_5

NOTE: All component dimensions given in U.S. inches. 1 inch = 25.4 mm
IMPORTANT: Use only Original Equipment Manufacturer (O.E.M.) replacement parts.
Failure to do so could be hazardous, damage your snow thrower and void your warranty.

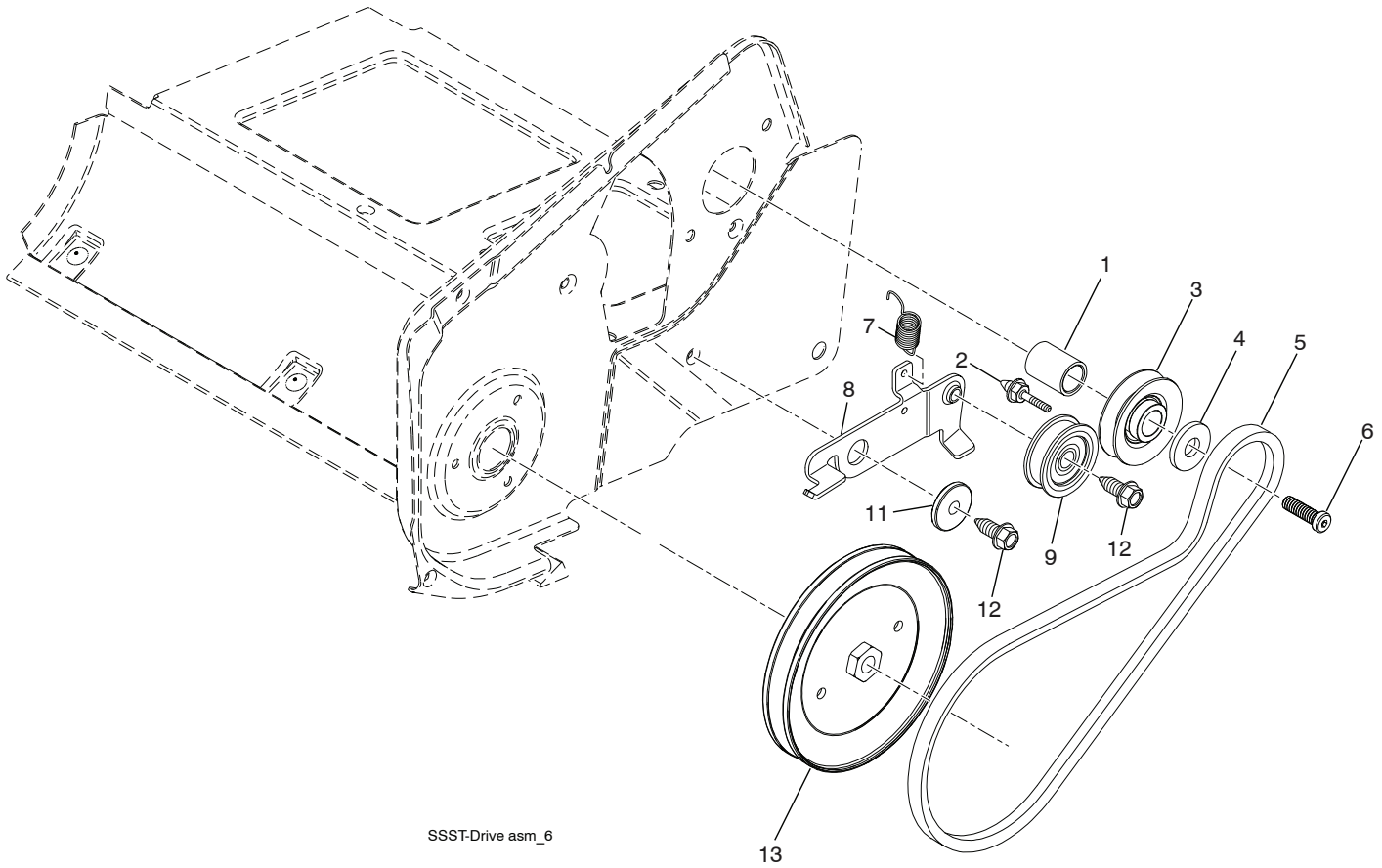
**REPAIR PARTS SNOW THROWER - - MODEL NUMBER MSB121 (96181000701)
 FRAME ASSEMBLY**

KEY NO.	PART NO.	QTY	DESCRIPTION
1	532 44 41-70	1	LCT.ENGINE.MODEL.PW3HK1865018P
2	532 44 46-39	1	FRAME.WELDMENT
3	532 43 76-16	2	WHEEL.7X1.5.DMD.GS.3SPK.MS428
4	532 43 54-17	2	NUT.PUSH.AXLE.0.5IN
5	532 43 55-78	2	SCREW. 5/16-24 X 2.00"HHCS
6	532 15 04-06	2	BOLT.ENG. 3/8-16 X 1.280
7	532 19 17-30	3	NUT.HEX.FLANGE.1/4-20.CTR.LOCK
8	872 11 04-07	3	BOLT.RDHD.SQNK.1/4-20 UNC X 5/8
9	532 44 29-42	1	BAR.SCRAPER
10	532 43 48-57	2	SPACER.ENGINE
11	532 43 48-74	1	LEVER.CHOKE
12	817 41 13-12	2	BOLT
13	819 09 10-16	3	WASHER.9/32 X 5/8 X 16 GA

NOTE: All component dimensions given in U.S. inches. 1 inch = 25.4 mm
IMPORTANT: Use only Original Equipment Manufacturer (O.E.M.) replacement parts.
 Failure to do so could be hazardous, damage your snow thrower and void your warranty.

REPAIR PARTS SNOW THROWER - - MODEL NUMBER MSB121 (96181000701)

DRIVE ASSEMBLY



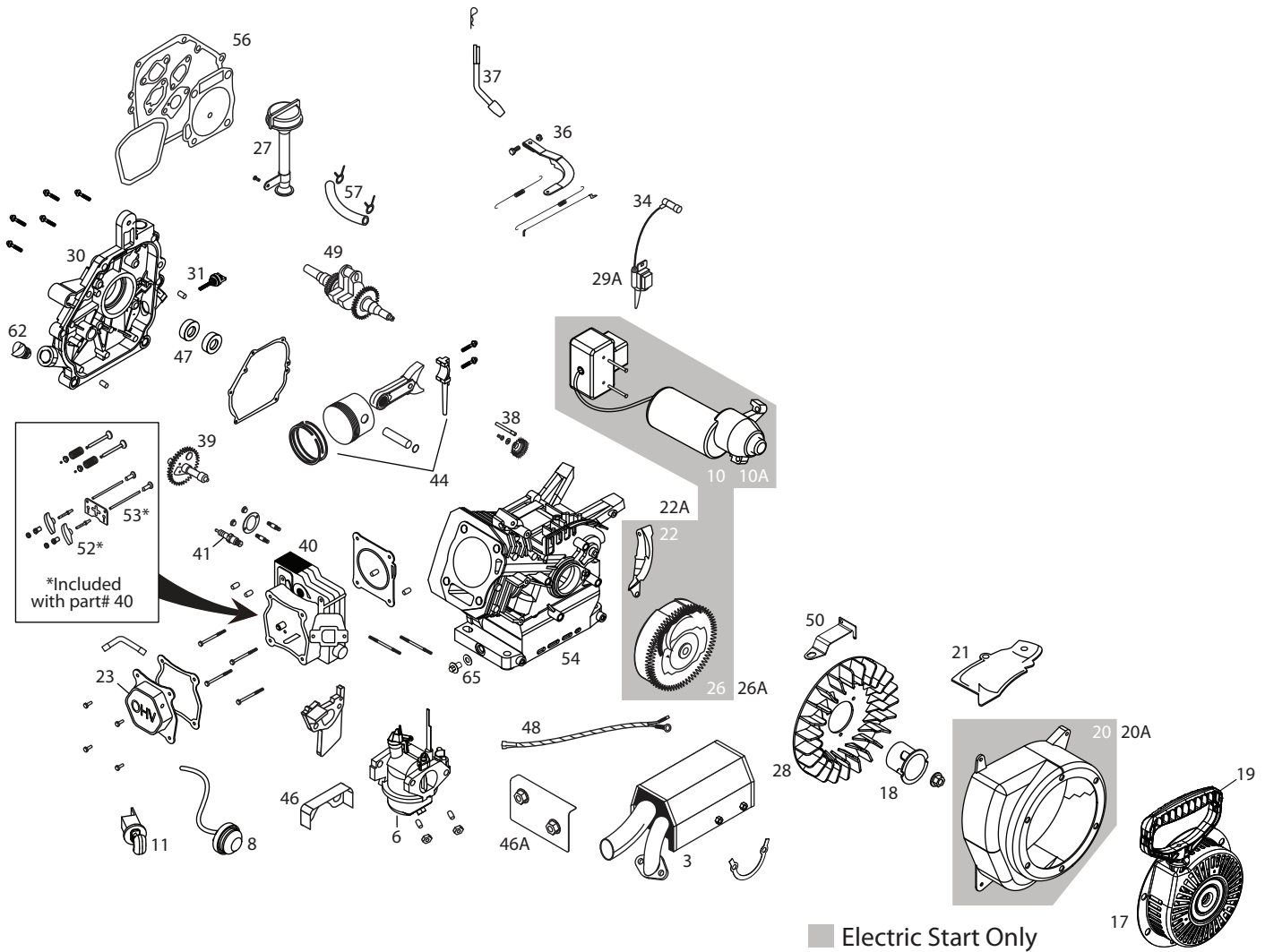
NOTE: All component dimensions given in U.S. inches. 1 inch = 25.4 mm
IMPORTANT: Use only Original Equipment Manufacturer (O.E.M.) replacement parts.
Failure to do so could be hazardous, damage your snow thrower and void your warranty.

**REPAIR PARTS SNOW THROWER - - MODEL NUMBER MSB121 (96181000701)
DRIVE ASSEMBLY**

KEY NO.	PART NO.	QTY	DESCRIPTION
1	532 43 48-60	1	SPACER.ENGINE.CRANK
2	532 43 45-02	1	KEEPER.ENGINE.BELT
3	532 42 64-90	1	PULLEY.ENG.TRACTION.3/4
4	532 85 10-74	1	WASHER.HARDEN
5	532 43 72-61	1	BELT-V.TRACTION
6	532 43 08-17	1	SCREW.CAP.SCHD.3/8-24 X 1.25
7	532 43 48-59	1	SPRING.IDLER.PULLEY.RETURN
8	532 43 76-09	1	ARM.IDLER.PNT.MS431
9	532 16 60-43	1	PULLEY.IDLER.BACKSIDE
11	532 19 90-92	1	SPACER.RETAINER
12	817 06 06-20	2	SCREW.3/8-16 X 1.SMGML.TAP/R
13	532 43 53-83	1	PULLEY.DRIVEN
--	532 43 64-35	1	OWNER'S.MANUAL.EURO
--	532 43 64-36	1	OWNER'S.MANUAL.SCAN
--	532 43 64-61	1	OWNER'S.MANUAL.EBLOC
--	532 43 64-62	1	OWNER'S.MANUAL.BALTIC

NOTE: All component dimensions given in U.S. inches. 1 inch = 25.4 mm
IMPORTANT: Use only Original Equipment Manufacturer (O.E.M.) replacement parts.
 Failure to do so could be hazardous, damage your snow thrower and void your warranty.

REPAIR PARTS SNOW THROWER -- MODEL NUMBER MSB121 (96181000701)
ENGINE, LCT **COMPLETE ENGINE-444170**



NOTE: All component dimensions given in U.S. inches. 1 inch = 25.4 mm
IMPORTANT: Use only Original Equipment Manufacturer (O.E.M.) replacement parts.
 Failure to do so could be hazardous, damage your snow thrower and void your warranty.

REPAIR PARTS SNOW THROWER -- MODEL NUMBER MSB121 (96181000701)
ENGINE, LCT **COMPLETE ENGINE-444170**

KEY NO.	PART NO.	DESCRIPTION
3	532 44 42-77	Muffler Assembly-Snow
6	532 43 71-22	Snow Carburetor Assy
8	532 43 71-23	Fuel Primer Bulb With Hose
10	532 43 71-24	Electric Starter Assy
10A	532 43 71-25	European 230V Electric Starter
11	532 42 49-54	Key Switch Assy
17	532 43 69-67	Recoil Starter Assembly-Snow
18	532 43 69-68	Starter Cup Small
19	532 42 49-68	Snow Starter Grip
20	532 42 49-71	Blower Housing Assembly Electric Start - Snow (Black)
20A	532 42 92-30	Blower Housing Assembly Manual Start - Snow (Black)
21	532 42 49-73	Shield, Cylinder
22	532 42 49-75	Shield, Flywheel Electric Start (If Equipped)
22A	532 42 95-96	Shield, Flywheel Manual Start
23	532 42 05-80	Valve Cover
26	532 42 92-35	Electric Start Flywheel Assy
26A	532 42 05-85	Manual Start Flywheel Assy
27	532 44 40-91	High Oil Fill Tube Assy
28	532 42 05-86	Flywheel Fan
29A	532 44 39-34	Ignition Coil (CDI) (used on engines without ref. 12)
30	532 42 06-06	Crankcase Cover Assy
31	532 42 09-61	Black Oil Dipstick
34	532 43 69-66	Spark Plug Boot
36	532 42 06-01	Governor Arm Assy
37	532 42 06-02	Governor Shaft
38	532 42 96-46	Governor Gear Assy
39	532 42 05-84	Camshaft
40	532 42 05-78	Cylinder Head Assy
41	532 42 49-39	Spark Plug
44	532 42 05-82	Piston And Rod Assy
46	532 42 92-60	Vapor Shield
46A	532 44 42-75	Intake Shield
47	532 42 95-99	Seal Kit
48	532 44 42-76	Wire Harness
49	532 42 96-00	Crankshaft
50	532 42 92-59	Speed Control Bracket
52	532 42 96-91	Rocker Arm Kit
53	532 42 05-79	Push Rod Kit
54	532 43 65-67	Cylinder Assembly
56	532 42 96-01	Gasket Kit
57	532 43 80-14	Fuel Hose Kit
62	532 42 95-98	Non-Removable Oil Plug
65	532 43 54-95	Oil Drain Plug Kit

NOTE: All component dimensions given in U.S. inches. 1 inch = 25.4 mm
IMPORTANT: Use only Original Equipment Manufacturer (O.E.M.) replacement parts.
 Failure to do so could be hazardous, damage your snow thrower and void your warranty.

