

PNC-ML
962000181-00

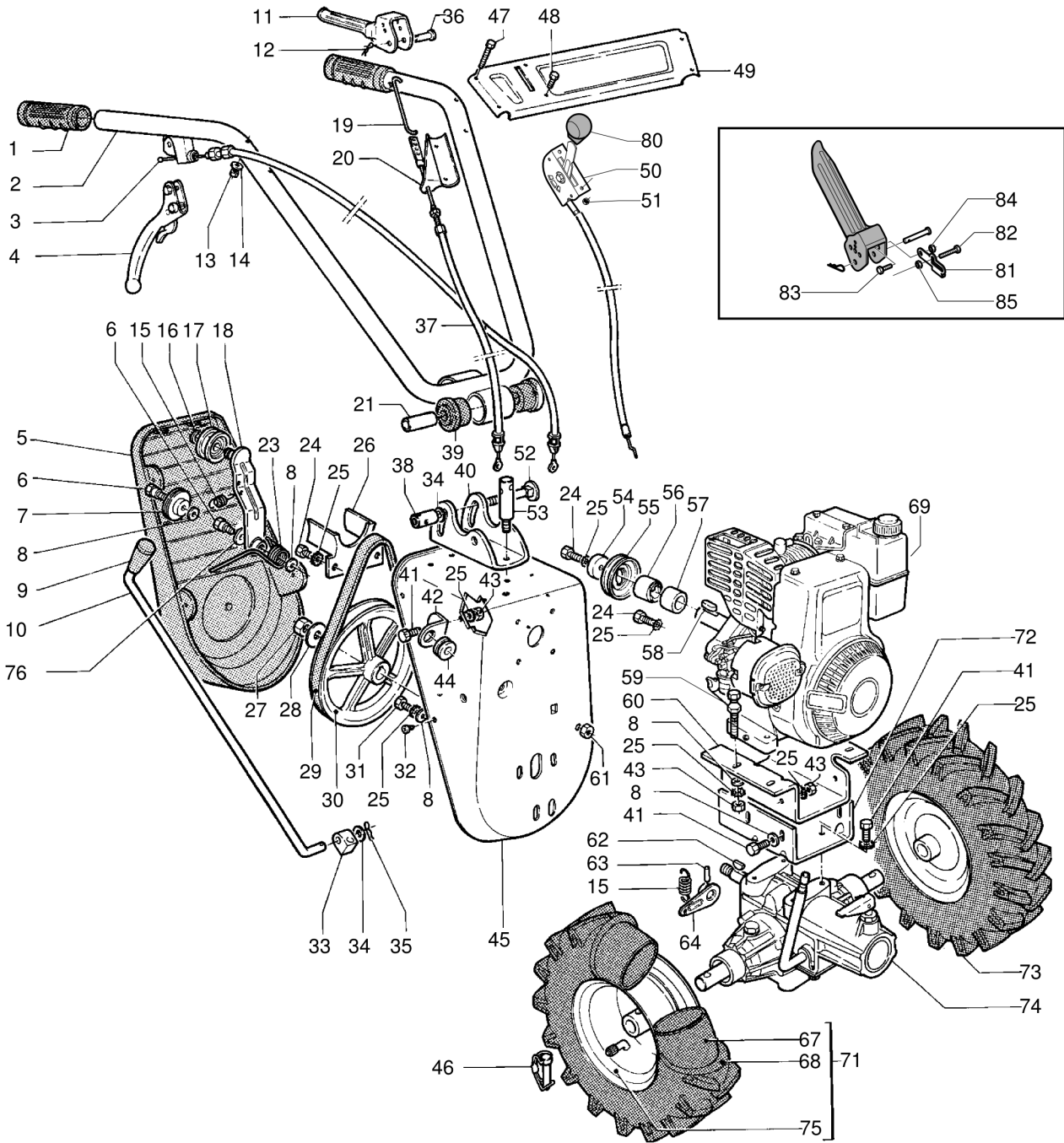
Model
MPF 72B

Brand
McCulloch

Number of Pages 1 of 7

Factory:	IIQ - Valmadrera	Product Group:	OP 93
Publication Number:	MIPL2011_V130000001	Petrol Portable	
Publication Date:	29/07/14	Sub Group	1076

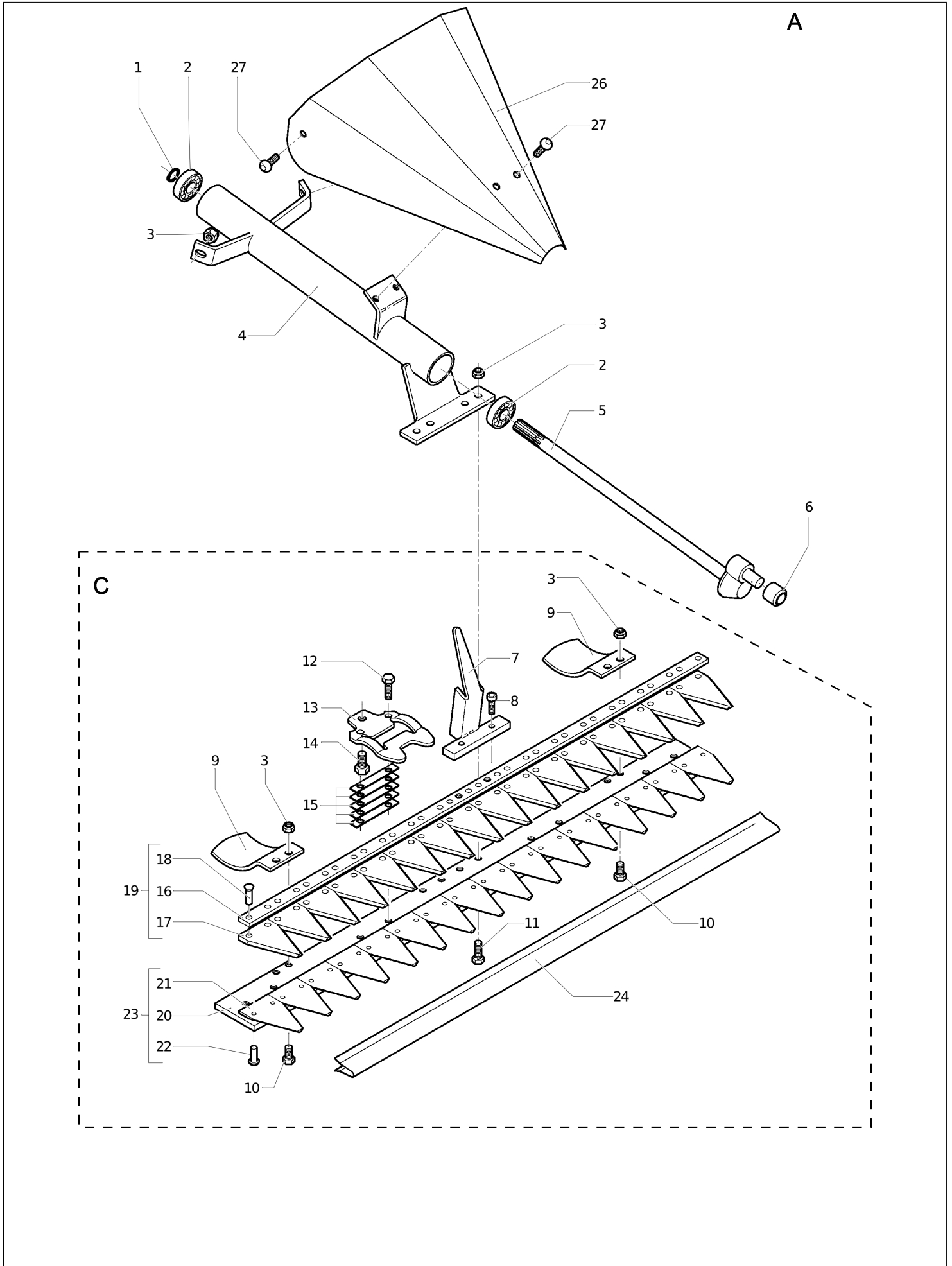
HUSQVARNA OUTDOOR PRODUCTS ITALIA SPA



HUSQVARNA OUTDOOR PRODUCTS ITALIA SPA

Item	PN	Description	Qty	Item	PN	Description	Qty
1	531 20 71-31	sheating	2	50	531 20 88-21	throttle cable	1
2	531 20 54-04	handle	1	51	531 20 86-61	nut	2
3	574 41 32-05	cable (+handle 4)	1	52	531 20 53-94	screw	2
4	531 20 54-11	handle	1	53	531 20 53-89	pin	2
5	531 20 53-93	safety housing	1	54	531 20 74-87	metal ring	1
6	531 20 78-09	pin	2	55	531 20 74-84	pulley	1
7	531 20 54-08	pulley	1	56	531 20 74-85	bush	1
8	531 20 49-22	washer	15	57	531 20 74-86	spacer	1
9	531 20 53-95	knob	1	58	531 20 74-32	key	1
10	531 20 53-98	rod	1	59	531 20 70-44	screw	4
11	531 20 54-22	clutch handle	1	60	531 20 54-39	support	1
12	531 20 74-08	cotter pin	1	61	531 20 85-99	nut	1
13	531 20 84-91	nut	4	62	531 20 80-69	key	1
14	531 20 49-61	washer	2	63	531 20 65-95	resilient pin	1
15	531 20 54-22	spring	2	64	531 20 53-83	lever	1
16	531 20 87-72	seeger	1	67	531 20 81-45	inner tube	2
17	531 20 44-30	pulley	1	68	531 20 81-44	tire	2
18	531 20 53-99	lever	1	69	————	engine, B&S 0831320119	1
19	531 20 54-48	tie rod	1	71	531 20 54-26	wheel	1
20	531 20 87-83	support	1	72	531 20 54-41	support	1
21	531 20 54-07	spacer	2	73	531 20 54-29	wheel	1
23	531 20 54-00	spring	1	74	531 20 44-27	gear box	1
24	531 20 75-96	screw	5	75	531 20 81-82	rim	2
25	531 20 79-81	washer	21	76	531 20 73-80	washer	2
26	531 20 53-88	belt side	1	80	531 20 69-70	knob	1
27	531 20 53-87	nut	1	81	531 20 63-37	plate	1
28	531 20 55-52	washer	1	82	531 20 63-46	screw	1
29	531 20 53-84	belt	1	83	531 20 78-38	screw	1
30	531 20 53-85	pulley	1	84	531 20 84-92	nut	2
31	531 20 85-85	screw	7	85	531 21 34-55	washer	1
32	531 20 78-41	screw	4				
33	531 20 54-09	joint	1				
34	531 20 71-22	washer	2				
35	531 20 66-53	cotter pin	1				
36	531 20 74-09	pin	1				
37	531 20 42-96	cable (+support 20)	1				
38	531 20 53-90	metal ring	2				
39	531 20 54-10	shock absorber	4				
40	531 20 53-92	support	1				
41	531 20 79-80	screw	5				
42	531 20 53-96	support	1				
43	531 20 79-82	nut	9				
44	531 20 53-97	ring	1				
45	531 20 54-16	deck	1				
46	531 20 52-71	cotter pin	2				
47	531 20 74-41	screw	4				
48	531 20 72-70	screw	2				
49	531 20 75-18	dash board	1				

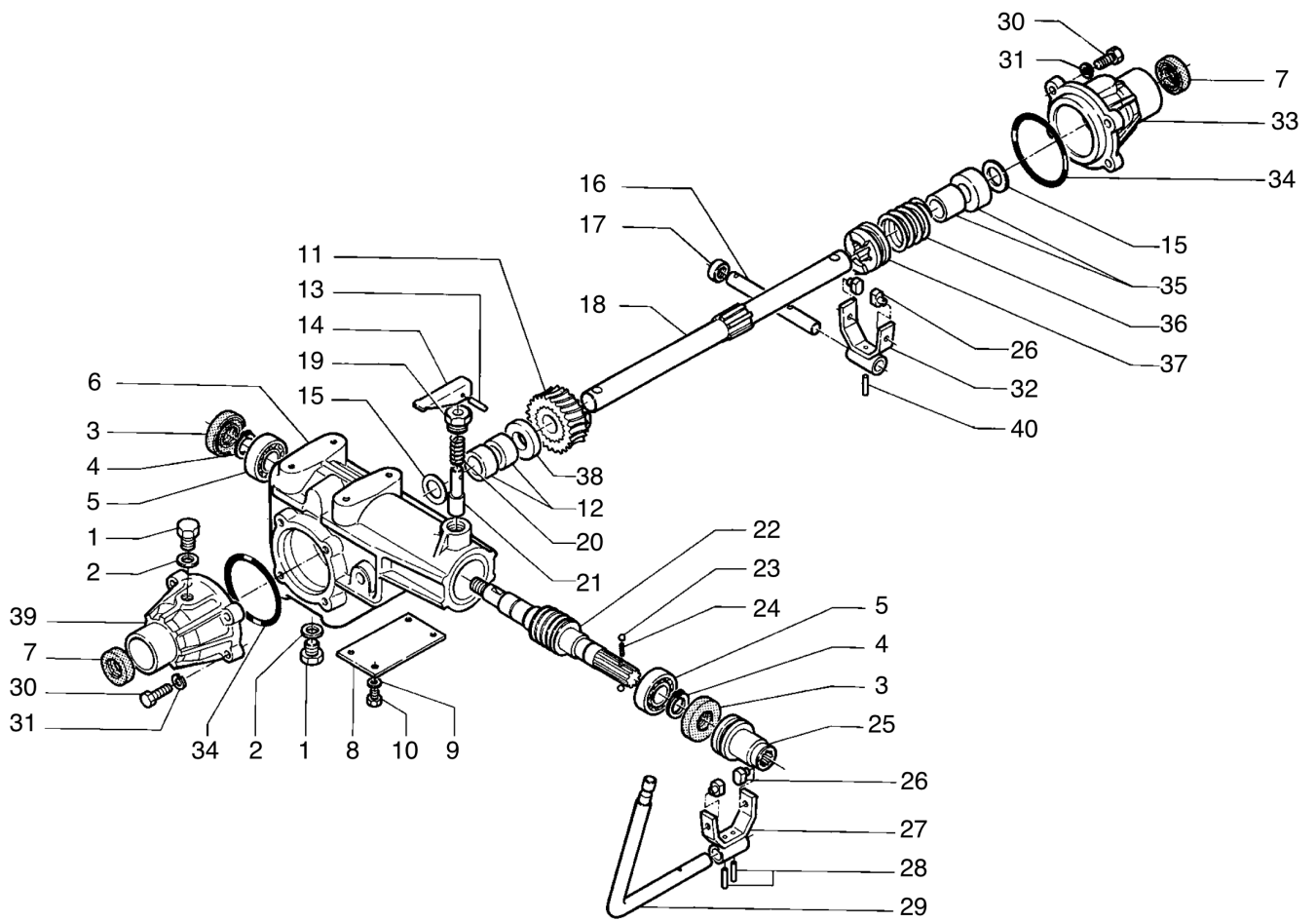
HUSQVARNA OUTDOOR PRODUCTS ITALIA SPA



HUSQVARNA OUTDOOR PRODUCTS ITALIA SPA

Item	PN	Description	Qty
1	531 20 81-53	seeger	1
2	531 20 81-52	ball bearing	2
3	531 20 85-99	nut	10
4	531 20 81-41	sleeve	1
5	531 21 07-52	shaft	1
6	531 21 07-53	bushing	1
7	531 20 81-71	blade slide	1
8	531 20 81-72	screw	2
9	531 21 07-54	support	2
10	531 20 85-85	screw	4
11	531 20 85-86	screw	4
12	531 21 07-55	screw	8
13	531 21 07-56	guide cable	4
14	531 20 81-70	screw	4
15	531 20 81-80	plate	20
16	531 20 81-65	rod	1
17	531 20 90-19	blade	28
18	531 20 90-95	rivet	28
19	531 20 81-66	rod	1
20	531 20 81-43	plate	1
21	531 20 90-17	blade	15
22	531 20 91-01	rivet	30
23	531 20 81-64	plate	1
24	531 20 84-80	bar cover	1
26	531 21 07-57	safety housing	1
27	531 20 81-40	screw	4
A	531 21 05-12	complete blade	1
C	531 21 05-13	mowing bar	1

HUSQVARNA OUTDOOR PRODUCTS ITALIA SPA



HUSQVARNA OUTDOOR PRODUCTS ITALIA SPA

Item	PN	Description	Qty
1	531 20 84-13	plug	2
2	531 20 84-14	gasket	2
3	531 20 81-05	nut	2
4	531 20 65-99	seeger	2
5	531 20 81-07	roller bearing	2
6	531 20 80-94	reduction gear box	1
7	531 20 81-02	gas ring	2
8	531 20 81-20	cover	1
9	531 20 84-99	washer	4
10	531 20 66-30	screw	4
11	531 20 80-97	crown gear	1
12	531 20 81-78	spacer	1
13	531 20 81-18	resilient pin	1
14	531 20 81-17	lever	1
15	531 20 80-67	washer	2
16	531 20 81-08	shaft	1
17	531 20 86-08	gas ring	1
18	531 20 80-98	shaft	1
19	531 20 81-09	nut	1
20	531 20 81-15	spring	1
21	531 20 81-16	pin	1
22	531 20 80-96	shaft	1
23	531 20 81-22	ball	2
24	531 20 81-21	spring	1
25	531 20 81-14	joint	1
26	531 20 81-01	slider shoe	4
27	531 20 81-00	fork	1
28	531 20 84-84	resilient pin	2
29	531 20 81-13	lever	1
30	531 20 85-86	screw	8
31	531 20 66-17	washer	8
32	531 20 81-12	fork	1
33	531 20 80-95	cover	1
34	531 20 81-25	gas ring	2
35	531 20 81-04	spacer	1
36	531 20 81-19	spring	1
37	531 20 80-99	clutch	1

Item	PN	Description	Qty
38	531 20 81-79	washer	1
39	531 20 81-84	cover	1
40	531 20 81-85	resilient pin	1