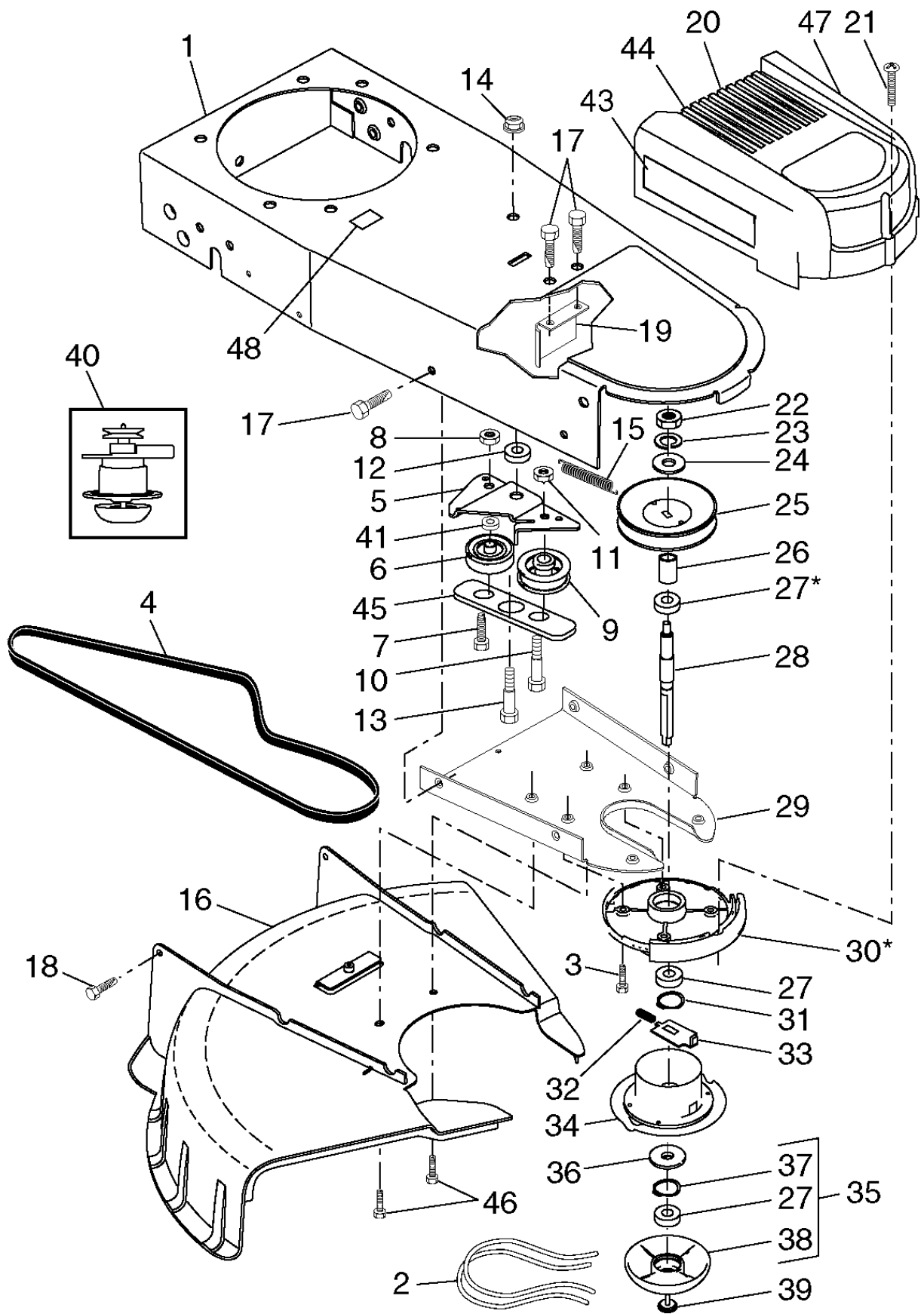




SPARE PARTS LIST

TRIMMERS/EDGERS

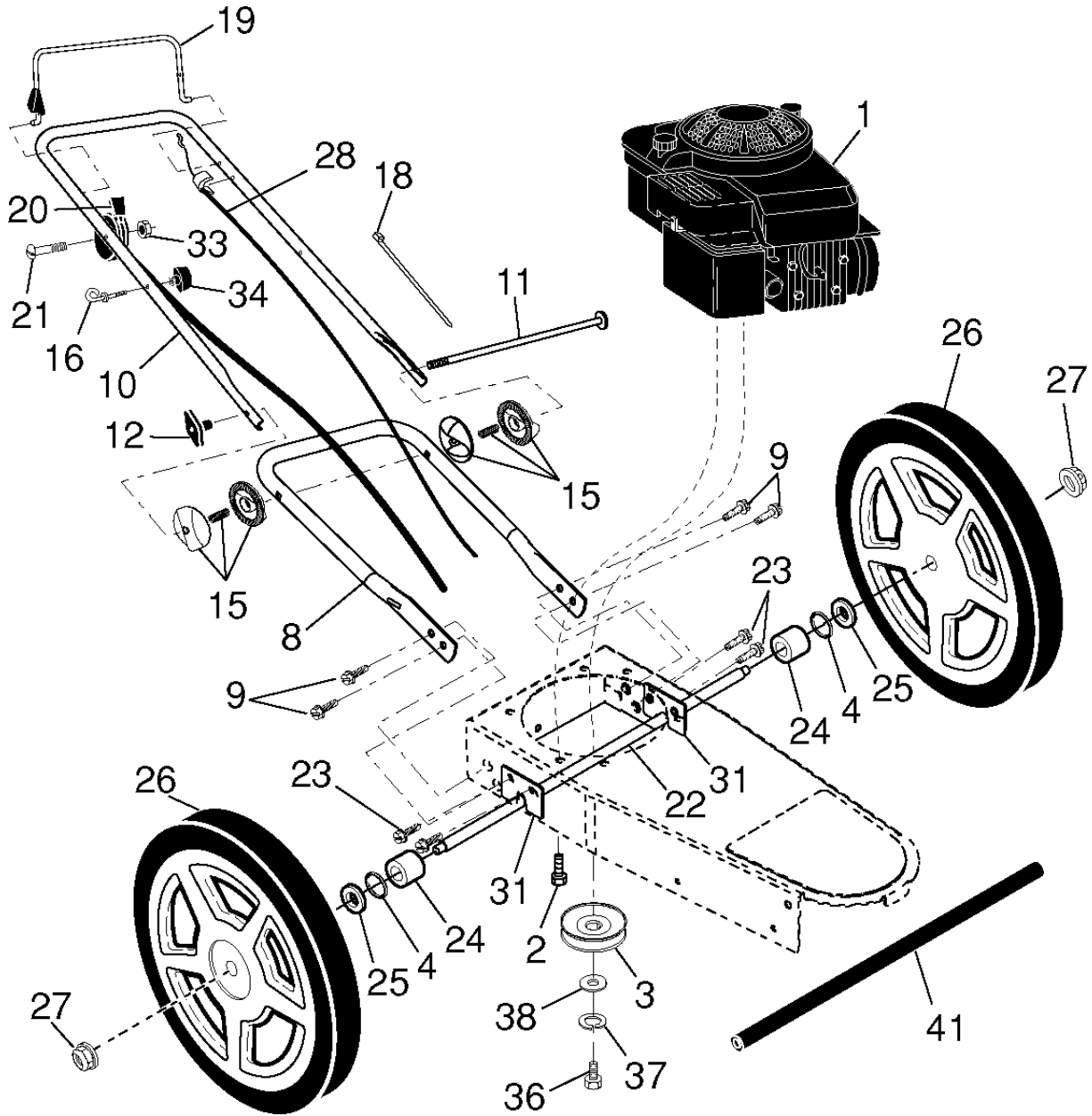
MWT420, 96171000303, 2014-11



COVER

MWT420, 96171000303, 2014-11

| Ref | Part No | Description | Remark | QTY | KIT |
|-----|--------------|-------------------------|--------|-----|-------------|
| 1 | 581 70 83-82 | HOUSING ASSY | | 1 | |
| 2 | 532 18 22-19 | TRIMMER LINE | | 1 | |
| 3 | 532 17 37-15 | SCREW | | 1 | |
| 4 | 532 18 54-76 | V-BELT | | 1 | |
| 5 | 586 90 91-03 | BRACKET | | 1 | |
| 6 | 532 16 60-42 | PULLEY | | 1 | |
| 7 | 532 17 37-16 | BOLT | | 1 | |
| 8 | 873 93 06-00 | NUT | | 1 | |
| 9 | 532 16 60-43 | PULLEY | | 1 | |
| 10 | 532 16 08-29 | BOLT | | 1 | |
| 11 | 873 93 05-00 | NUT | | 1 | |
| 12 | 532 17 37-17 | SPACER | | 1 | |
| 13 | 532 17 47-19 | BOLT | | 1 | |
| 14 | 532 40 91-49 | NUT | | 1 | |
| 15 | 532 17 38-11 | SPRING | | 1 | |
| 16 | 584 95 32-01 | DEFLECTOR | | 1 | |
| 17 | 817 06 04-10 | SCREW | | 1 | |
| 18 | 532 17 88-48 | SCREW | | 1 | |
| 19 | 586 91 66-03 | KEEPER | | 1 | |
| 20 | 581 81 93-01 | COVER | | 1 | |
| 21 | 532 14 97-46 | SCREW | | 1 | |
| 22 | 873 61 06-00 | NUT | | 1 | |
| 23 | 532 85 02-63 | WASHER | | 1 | |
| 24 | 819 12 12-14 | WASHER | | 1 | |
| 25 | 532 18 03-40 | PULLEY | | 1 | |
| 26 | 532 17 25-51 | SPACER | | 1 | |
| 27 | 532 17 45-49 | BEARING | | 1 | |
| 28 | 532 17 25-20 | JACKSHAFT | | 1 | |
| 29 | 532 18 67-52 | COVER | | 1 | |
| 30 | 532 17 45-43 | SPINDLE HOUSING ASSEMBL | | 1 | 27 |
| 31 | 532 17 45-81 | RETAINING RING | | 1 | |
| 32 | 532 17 39-73 | SPRING | | 1 | |
| 33 | 532 17 25-19 | LOCKING PLATE | | 1 | |
| 34 | 532 18 03-38 | CARRIER PLATE ASSEMBLY | | 1 | |
| 35 | 532 18 22-17 | CUP | | 1 | 27,37,38 |
| 36 | 532 17 25-16 | COVER | | 1 | |
| 37 | 532 17 45-80 | RETAINING RING | | 1 | |
| 38 | 532 17 25-23 | CUP | | 1 | |
| 39 | 532 18 03-34 | BOLT | | 1 | |
| 40 | 532 18 03-33 | SPINDLE | | 1 | 22-28,30-39 |
| 41 | 532 17 40-29 | SPACER | | 1 | |
| 43 | 532 17 40-42 | DECAL | | 1 | |
| 44 | 532 18 74-58 | LABEL | | 1 | |
| 45 | 532 18 67-53 | BELT KEEPER, BOTTOM | | 1 | |
| 46 | 817 06 04-08 | SCREW | | 1 | |
| 47 | 532 18 22-05 | DECAL | | 1 | |
| 48 | 532 41 25-90 | DECAL | | 1 | |



FRAME

MWT420, 96171000303, 2014-11

| Ref | Part No | Description | Remark | QTY KIT |
|-----|--------------|-------------------------|---|---------|
| 1 | 000 00 00-00 | W/O DESCRIPTION | B&S 126T02-0065-H1 FOR SERVICE & PARTS 1-800-233-3723 | 1 |
| 2 | 532 15 04-06 | BOLT | | 1 |
| 3 | 532 17 94-66 | PULLEY | | 1 |
| 4 | 532 08 83-48 | WASHER | | 1 |
| 8 | 532 18 67-54 | HANDLE | LOWER | 1 |
| 9 | 532 42 88-67 | BOLT | | 1 |
| 10 | 532 18 67-55 | HANDLE | UPPER | 1 |
| 11 | 532 17 09-80 | BOLT | | 1 |
| 12 | 532 19 19-38 | KNOB | | 1 |
| 15 | 532 17 97-51 | HANDLE ADJUSTER ASSEMBL | | 1 |
| 16 | 581 90 21-01 | GUIDE | | 1 |
| 18 | 532 06 64-26 | HOOP | | 1 |
| 19 | 585 64 53-13 | BAIL ARM ASSY | | 1 |
| 20 | 586 86 12-01 | CONTROL | | 1 |
| 21 | 532 18 33-65 | SCREW | | 1 |
| 22 | 532 44 78-29 | AXLE | | 1 |
| 23 | 532 42 88-67 | BOLT | | 1 |
| 24 | 532 16 98-23 | WASHER | | 1 |
| 25 | 532 19 74-80 | O-RING | | 1 |
| 26 | 581 01 03-05 | WHEEL ASSY | | 1 |
| 27 | 532 40 91-49 | NUT | | 1 |
| 28 | 584 95 41-01 | CABLE | | 1 |
| 31 | 532 42 62-97 | BRACKET | | 1 |
| 33 | 532 13 20-04 | NUT | | 1 |
| 34 | 581 91 26-01 | KNOB | | 1 |
| 36 | 532 85 10-84 | SCREW | | 1 |
| 37 | 532 85 02-63 | WASHER | | 1 |
| 38 | 532 85 10-74 | WASHER | | 1 |
| 41 | 532 44 83-36 | TUBE | | 1 |