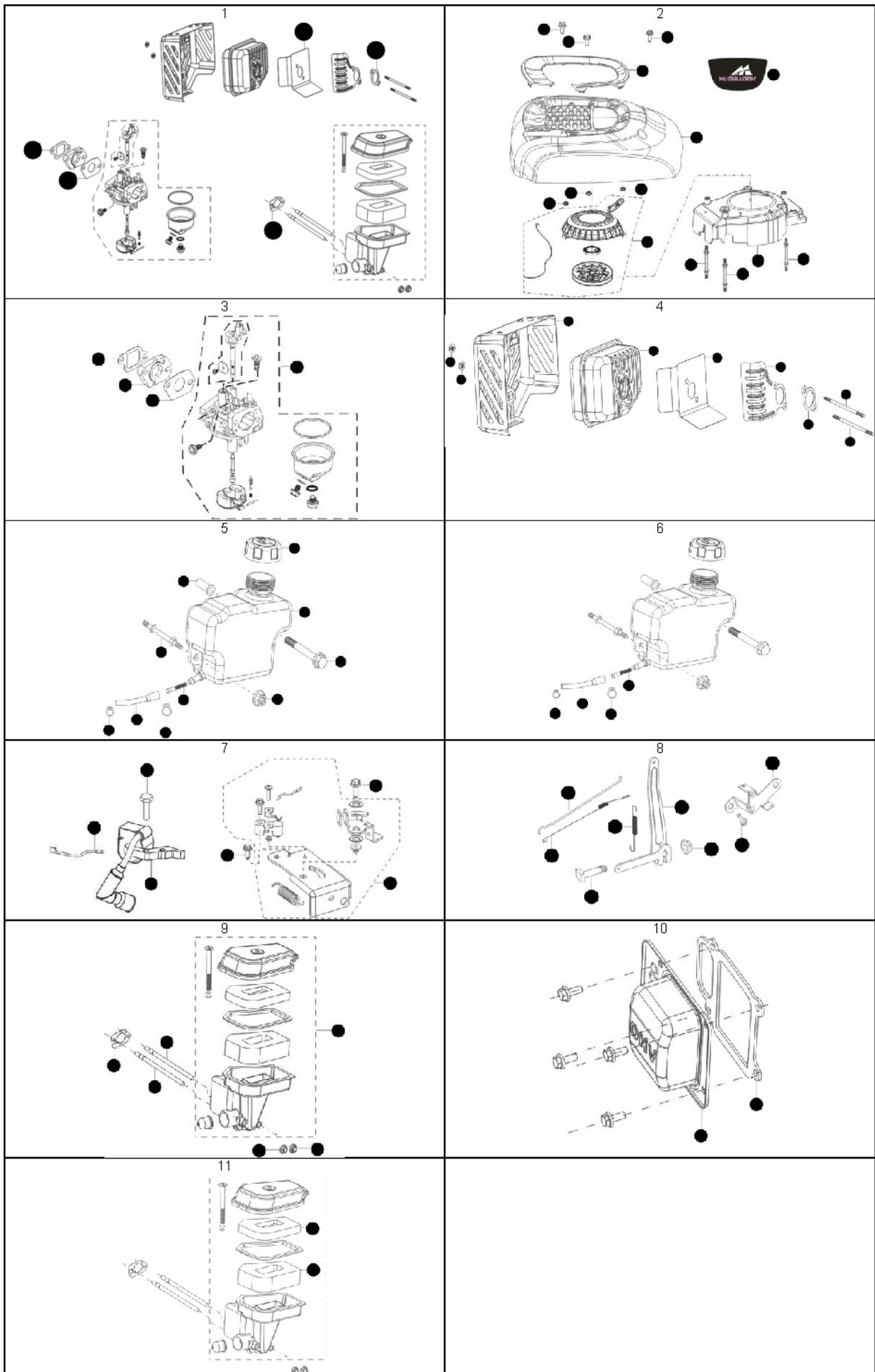




SPARE PARTS LIST

LAWN MOWERS: CONSUMER
WALK-BEHINDS

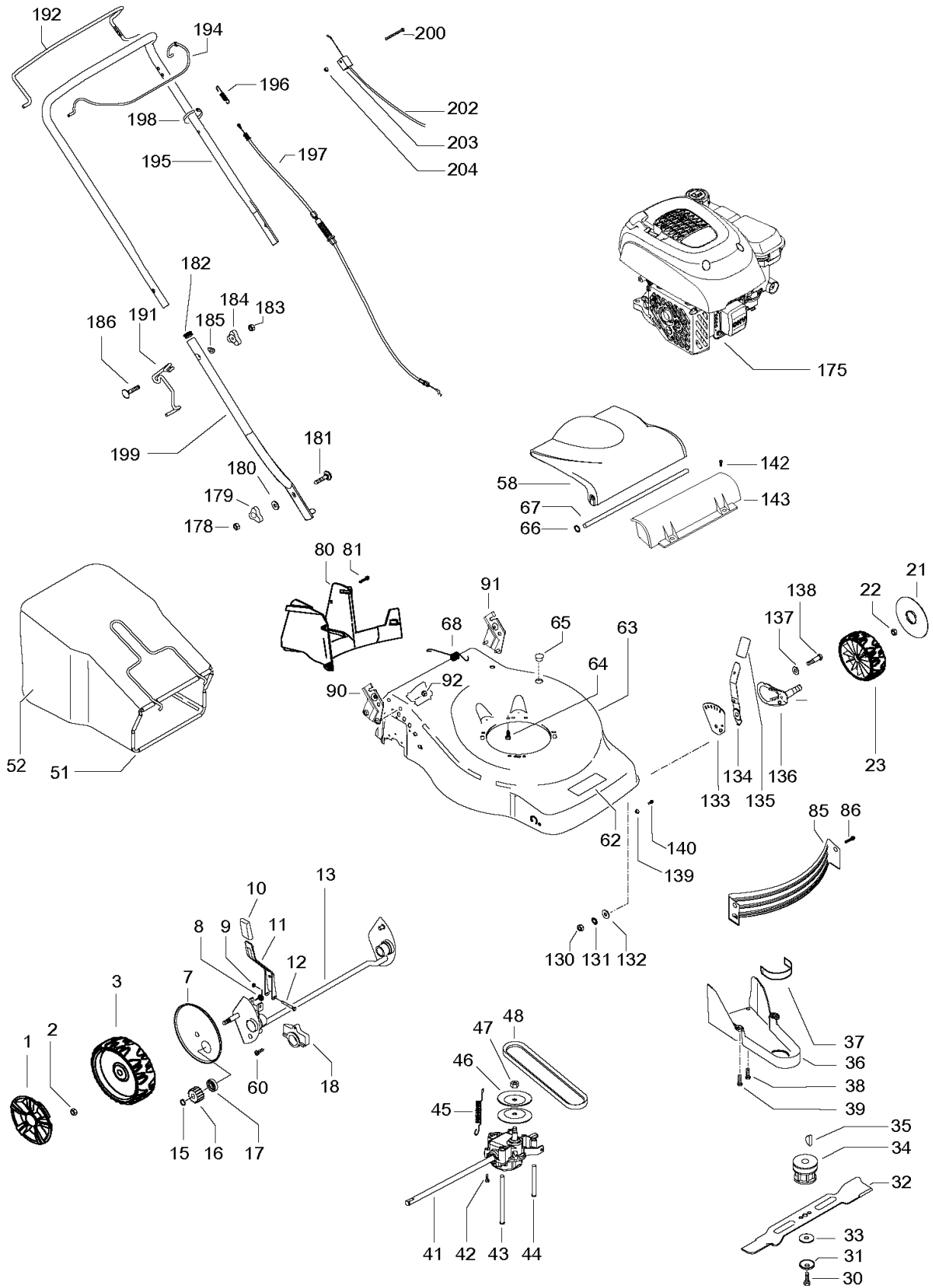
M46-110 R CLASSIC, 96762160101,
2016-12



ENGINE

M46-110 R CLASSIC, 96762160101, 2016-12

Ref	Part No	Description	Remark	QTY KIT
1	579 82 02-02	GASKET KIT		1
2	579 82 02-03	SHROUD KIT		1
3	579 82 02-04	CARBURETTOR KIT		1
4	579 82 02-05	MUFFLER KIT		1
5	579 82 02-06	FUEL TANK KIT		1
6	579 82 02-07	FUEL FILTER KIT		1
7	579 82 02-08	IGNITION KIT		1
8	579 82 02-09	GOVERNOR KIT		1
9	579 82 02-10	AIR INTAKE KIT		1
10	579 82 02-11	CYLINDER HEAD KIT		1
11	579 82 02-13	AIR FILTER		1
-	579 82 02-12	DIPSTICK		1
-	579 82 02-14	FUEL CAP		1



PRODUCT COMPLETE

M46-110 R CLASSIC, 96762160101, 2016-12

Ref	Part No	Description	Remark	QTY KIT
1	574 39 65-01	HUB CAP	d.210	2
2	504 85 78-01	NUT	M8, self locking, flanged	2
3	574 41 52-04	WHEEL	d.210	2
7	504 82 73-01	DUST COVER		2
8	583 95 13-02	SPRING		1
9	531 20 74-08	PIN RETAINING SCREW		1
10	574 61 05-01	KNOB		1
11	582759301	TBD		1
12	587 19 82-01	PEN		1
13	504 80 01-01	REAR AXLE		1
15	531 20 87-72	WASHER		2
16	544 34 23-01	PINION		2
17	531 20 87-78	BEARING		2
18	531 20 59-44	SUPPORT		2
21	574 39 64-01	HUB CAP	d.190	2
22	504 85 78-01	NUT	M8, self locking, flanged	2
23	574 41 50-04	WHEEL	d.190	2
30	531 20 80-08	SCREW	3/8"	1
31	531 20 72-37	WASHER		1
32	581 18 89-10	MOWER BLADE		1
33	531 20 72-43	WASHER		1
34	581 84 30-01	BLADE SUPPORT		1
35	505 29 09-01	KEY		1
36	589023101	TBD		1
37	501189002	TBD		1
38	817 41 13-12	SCREW		1
39	531 20 78-56	SCREW	5x10	2
41	544 34 32-03	GEARBOX	box	1
42	510 03 75-01	SCREW	4x16, self threading	2
43	544 93 44-01	BELT GUIDE		1
44	544 93 43-01	BELT GUIDE		1
45	544 93 47-01	SPRING	box	1
46	504 54 79-01	PULLEY		2
47	504 54 80-01	NUT		1
48	504 03 48-01	BELT	Z28 10X710	1
51	531 21 34-67	FRAME		1
52	579 81 63-01	COLLECTOR		1
58	574 61 02-01	HATCH		1
60	531 20 66-77	SCREW		2
62	581 02 17-01	DECAL	McCulloch	1
63	582890402	TBD		1
64	532 15 04-06	BOLT	3/8"	3
65	531 20 53-18	PLUG		1
66	584 81 69-03	LOCKWASHER		2
67	531 20 50-60	SHAFT		1
68	531 20 59-99	SPRING		1
80	589023001	TBD		1
81	532 14 24-32	SCREW		5
85	589008701	TBD		1
86	817 00 05-10	BOLT		2
90	582749802	TBD	right	1
91	582746702	TBD	left	1
92	582758901	TBD	M8	4
130	531 20 79-78	NUT	M10	2
131	531 20 89-74	WASHER		2
132	531 20 79-89	WASHER		2
133	589352802	TBD		2
134	544 45 25-01	LEVER		2
135	574 61 05-01	KNOB		2
136	589354102	TBD		2
137	588 23 42-01	WASHER		2
138	531 20 49-12	SCREW	M10	2
139	531 20 52-13	NUT	M5	2
140	531 20 72-70	SCREW	M5	2

PRODUCT COMPLETE

M46-110 R CLASSIC, 96762160101, 2016-12

Ref	Part No	Description	Remark	QTY KIT
142	576 13 60-06	SCREW		2
143	579 30 09-01	SEAL		1
175	501 15 71-06	ENGINE		1
178	531 20 79-82	NUT	M8	2
179	531 20 49-23	WING NUT		2
180	531 20 49-22	WASHER		2
181	531 20 49-21	SCREW	M8x25	2
182	531 20 89-50	PLUG		2
183	531 20 79-82	NUT	M8	2
184	531 20 49-23	WING NUT		2
185	531 20 70-90	WASHER		2
186	531 20 70-89	SCREW	M8x50	2
191	504 70 86-01	HOOK		1
192	504 70 84-01	HANDLE		1
194	504 70 83-04	HANDLE		1
195	504 70 80-01	HANDLE	upper half	1
196	580 76 19-01	SPRING		1
197	544 90 80-01	CABLE		1
198	531 20 55-81	CLIP		2
199	531 20 60-71	HANDLE	lower half	2
200	580 83 36-01	SCREW EHHM	M5x40	1
202	582 19 21-02	CABLE ASSY		1
203	531 21 26-89	CASING		1
204	581 55 12-01	HEXAGON LOCKING NUT		1