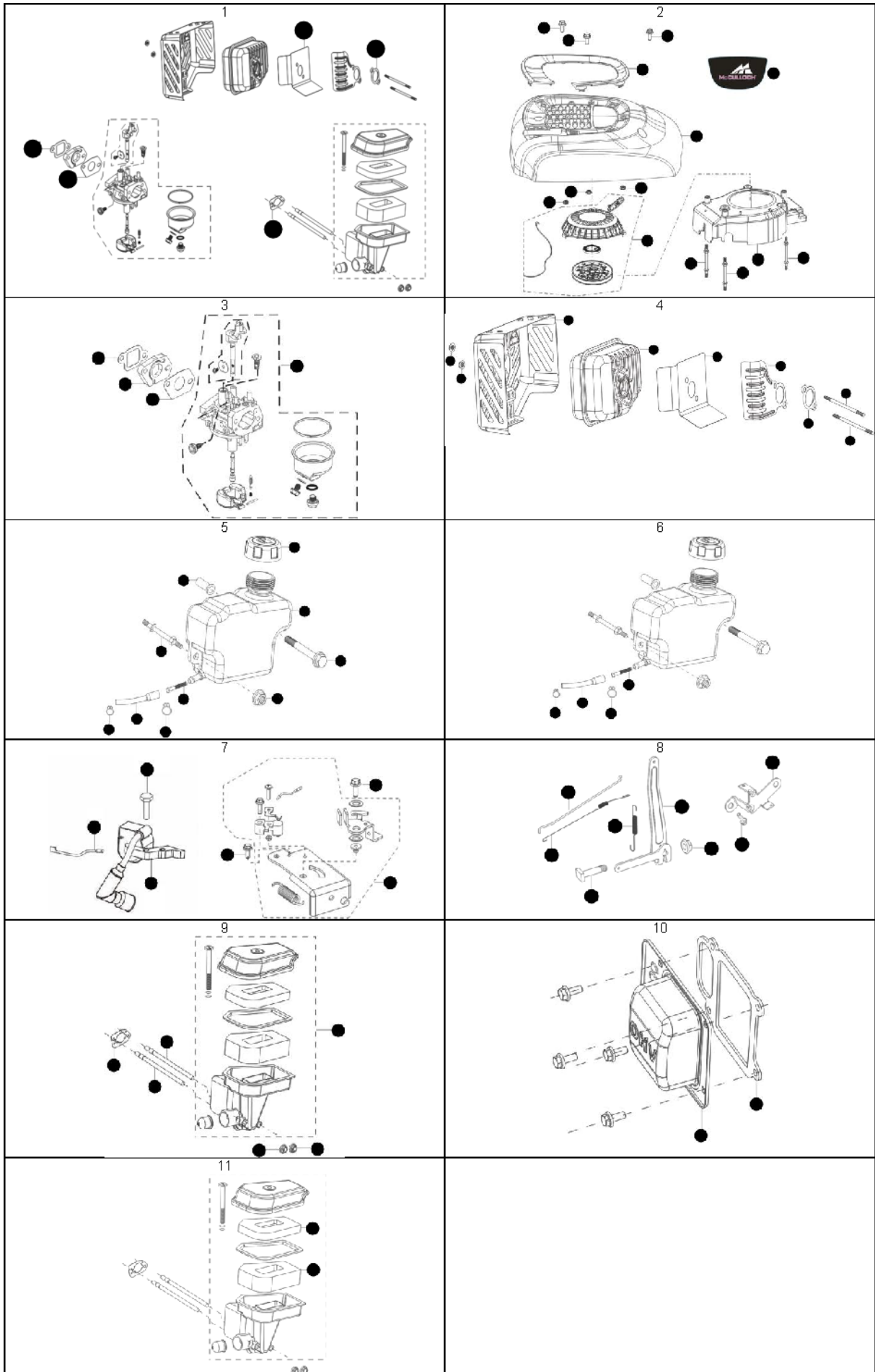




SPARE PARTS LIST

LAWN MOWERS: CONSUMER
WALK-BEHINDS

M46-110 R CLASSIC, 96762160100,
2016-02

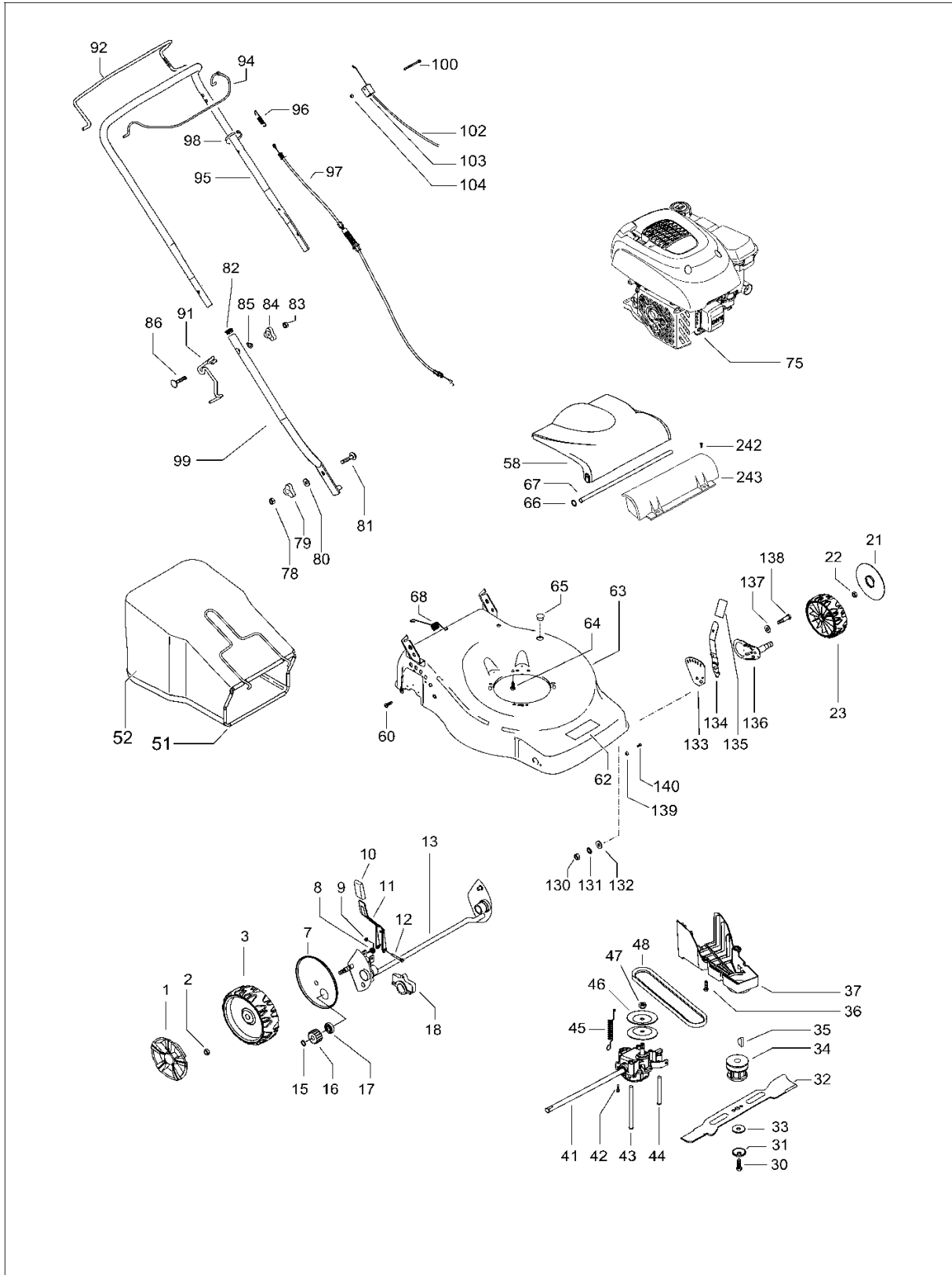


ENGINE

M46-110 R CLASSIC, 96762160100, 2016-02

Ref	Part No	Description	Remark	QTY KIT
1	579 82 02-02	GASKET KIT		1
2	579 82 02-03	SHROUD KIT		1
3	579 82 02-04	CARBURETTOR KIT		1
4	579 82 02-05	MUFFLER KIT		1
5	579 82 02-06	FUEL TANK KIT		1
6	579 82 02-07	FUEL FILTER KIT		1
7	579 82 02-08	IGNITION KIT		1
8	579 82 02-09	GOVERNOR KIT		1
9	579 82 02-10	AIR INTAKE KIT		1
10	579 82 02-11	CYLINDER HEAD KIT		1
11	579 82 02-13	AIR FILTER		1
-	579 82 02-12	DIPSTICK		1
-	579 82 02-14	FUEL CAP		1

HUSQVARNA ITALIA SPA



PRODUCT COMPLETE

M46-110 R CLASSIC, 96762160100, 2016-02

Ref	Part No	Description	Remark	QTY KIT
1	574 39 65-01	HUB CAP		2
2	504 85 78-01	NUT		2
3	574 41 52-04	WHEEL		2
7	504 82 73-01	DUST COVER		2
8	583 95 13-02	SPRING		1
9	531 20 84-92	NUT		1
10	574 61 05-01	KNOB		1
11	581 17 86-01	LEVER ASSY		1
12	538 23 58-07	SCREW		1
13	504 80 01-01	REAR AXLE		1
15	531 20 87-72	WASHER		2
16	544 34 23-01	PINION		2
17	531 20 87-78	BEARING		2
18	531 20 59-44	SUPPORT		2
21	574 39 64-01	HUB CAP		2
22	504 85 78-01	NUT		2
23	574 41 50-04	WHEEL		2
30	531 20 80-08	SCREW		1
31	531 20 72-37	WASHER		1
32	581 18 89-10	MOWER BLADE		1
33	531 20 72-43	WASHER		1
34	581 84 30-01	BLADE SUPPORT		1
35	505 29 09-01	KEY		1
36	531 20 78-56	SCREW		3
37	544 46 22-02	BELT GUARD		1
41	544 34 32-03	GEARBOX		1
42	510 03 75-01	SCREW		2
43	544 93 44-01	BELT GUIDE		1
44	544 93 43-01	BELT GUIDE		1
45	544 93 47-01	SPRING		1
46	504 54 79-01	PULLEY		2
47	504 54 80-01	NUT		1
48	504 03 48-01	BELT		1
51	531 21 34-67	FRAME		1
52	579 81 63-01	COLLECTOR		1
58	574 61 02-01	HATCH		1
60	531 20 66-77	SCREW		2
62	581 02 17-01	DECAL		1
63	531 21 39-11	DECK		1
64	531 21 28-51	SCREW		3
65	531 20 53-18	PLUG		1
66	584 81 69-03	LOCKWASHER		2
67	531 20 50-60	SHAFT		1
68	531 20 59-99	SPRING		1
75	579 82 02-01	ENGINE ASSY		1
78	531 20 79-82	NUT		2
80	531 20 49-22	WASHER		2
79	531 20 49-23	WING NUT		2
81	531 20 49-21	SCREW		2
82	531 20 89-50	PLUG		2
83	531 20 79-82	NUT		2
84	531 20 49-23	WING NUT		2
85	531 20 70-90	WASHER		2
86	531 20 70-89	SCREW		2
91	504 70 86-01	HOOK		1
92	504 70 84-01	HANDLE		1
94	580 84 91-04	BAIL		1
95	504 70 80-01	HANDLE		1
96	580 76 19-01	SPRING		1
97	544 90 80-04	CABLE		1
98	531 20 55-81	CLIP		2
99	531 20 60-71	HANDLE		2
100	580 83 36-01	SCREW EHHM		1
102	531 21 35-22	BRAKE WIRE		1

PRODUCT COMPLETE

M46-110 R CLASSIC, 96762160100, 2016-02

Ref	Part No	Description	Remark	QTY KIT
103	531 21 26-89	CASING		1
104	581 55 12-01	HEXAGON LOCKING NUT		1
130	531 20 79-78	NUT		2
131	531 20 89-74	WASHER		2
132	574 37 52-01	COVER		2
133	576 55 50-01	INDEX PLATE		2
134	544 45 25-01	LEVER		2
136	504 85 14-01	SUPPORT WHEEL		2
135	574 61 05-01	KNOB		2
137	588 23 42-01	WASHER		2
138	531 20 49-12	SCREW		2
139	531 20 52-13	NUT		2
140	531 20 72-70	SCREW		2
242	576 13 60-06	SCREW		2
243	579 30 09-01	SEAL		1