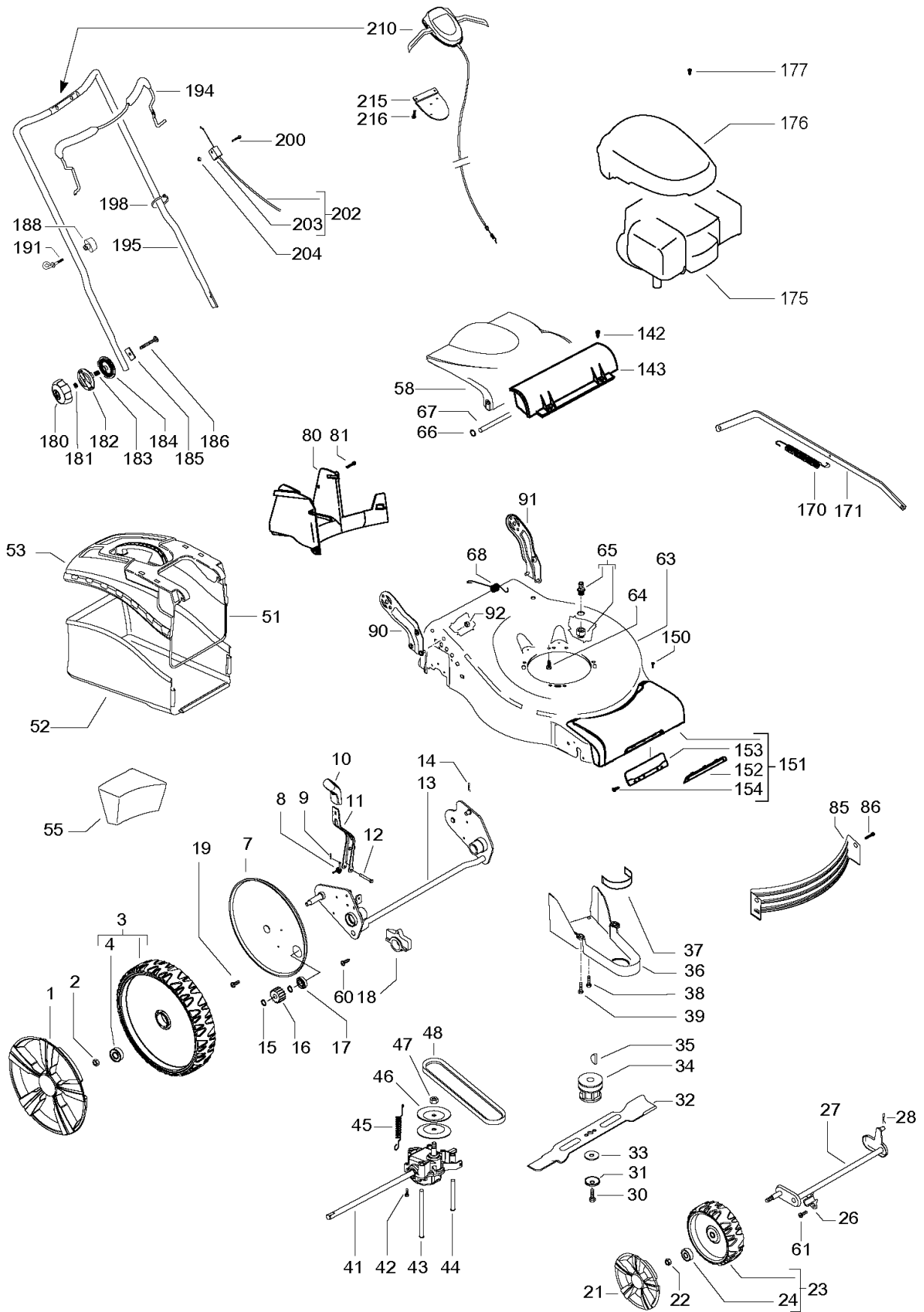




SPARE PARTS LIST

LAWN MOWERS: CONSUMER
WALK-BEHINDS

M46-160 AWRPX, 96719480106, 2017-01



PRODUCT COMPLETE

M46-160 AWRPX, 96719480106, 2017-01

| Ref | Part No | Description | Remark | QTY | KIT |
|-----|--------------|---------------------|---------------------------|-----|-----|
| 1 | 574 39 66-01 | HUB CAP | d.280 | 2 | |
| 2 | 504 85 78-01 | NUT | M8, self locking, flanged | 2 | |
| 3 | 574 45 12-02 | WHEEL ASSY | d.280 | 2 | |
| 4 | 531 20 87-78 | BEARING | | 4 | 3 |
| 7 | 504 53 99-01 | HUB CAP | d.280 | 2 | |
| 8 | 583 95 13-02 | SPRING | | 1 | |
| 9 | 531 20 74-08 | PIN RETAINING SCREW | | 1 | |
| 10 | 580 46 24-01 | KNOB | | 1 | |
| 11 | 582 75 93-01 | LEVER ASSY | | 1 | |
| 12 | 587 19 82-01 | PEN | | 1 | |
| 13 | 510 09 28-01 | REAR AXLE | | 1 | |
| 14 | 531 20 66-53 | PIN | | 1 | |
| 15 | 531 20 87-72 | WASHER | | 4 | |
| 16 | 544 34 23-01 | PINION | | 2 | |
| 17 | 531 20 87-78 | BEARING | | 2 | |
| 18 | 531 20 59-44 | SUPPORT | | 2 | |
| 19 | 531 20 78-56 | SCREW | M5x10 | 4 | |
| 21 | 574 39 64-01 | HUB CAP | d.190 | 2 | |
| 22 | 504 85 78-01 | NUT | M8, self locking, flanged | 2 | |
| 23 | 574 45 09-02 | WHEEL ASSY | d.190 | 2 | |
| 24 | 531 20 87-78 | BEARING | | 4 | 23 |
| 26 | 577 38 42-01 | SUPPORT | | 2 | |
| 27 | 504 85 65-01 | FRONT AXLE ASSY | | 1 | |
| 28 | 531 20 66-53 | PIN | | 1 | |
| 30 | 531 20 80-08 | SCREW | 3/8" | 1 | |
| 31 | 531 20 72-37 | WASHER | | 1 | |
| 32 | 580 25 92-02 | MOWER BLADE | | 1 | |
| 33 | 531 20 72-43 | WASHER | | 1 | |
| 34 | 504 59 12-01 | BLADE SUPPORT | | 1 | |
| 35 | 504 59 14-01 | KEY | | 1 | |
| 36 | 589023101 | TBD | | 1 | |
| 37 | 501 18 90-02 | BELT GUIDE | | 1 | |
| 38 | 817 41 13-12 | SCREW | | 1 | |
| 39 | 531 20 78-56 | SCREW | 5x10 | 2 | |
| 41 | 504 54 14-02 | GEARBOX | | 1 | |
| 42 | 510 03 75-01 | SCREW | 4x16, self threading | 2 | |
| 43 | 544 93 44-01 | BELT GUIDE | | 1 | |
| 44 | 544 93 43-01 | BELT GUIDE | | 1 | |
| 45 | 544 93 47-01 | SPRING | | 1 | |
| 46 | 504 54 79-01 | PULLEY | | 2 | |
| 47 | 504 54 80-01 | NUT | | 1 | |
| 48 | 504 03 48-01 | BELT | Z28 10X710 | 1 | |
| 51 | 574 86 94-01 | FRAME | | 1 | |
| 52 | 574 86 96-02 | GRASSBAG | | 1 | |
| 53 | 574 61 03-01 | GRASSBAG | | 1 | |
| 55 | 579 67 92-01 | PLUG | | 1 | |
| 58 | 574 61 02-01 | HATCH | | 1 | |
| 60 | 531 20 66-77 | SCREW | 4.8x19, self threading | 2 | |
| 61 | 525 43 31-01 | SCREW | 4x16, self threading | 4 | |
| 63 | 501 30 48-02 | CHASSIS | | 1 | |
| 64 | 532 15 04-06 | BOLT | 3/8" | 3 | |
| 65 | 531 20 58-48 | CONNECTOR | 1/2" | 1 | |
| 66 | 584 81 69-03 | LOCKWASHER | | 2 | |
| 67 | 531 21 14-41 | TIE ROD | | 1 | |
| 68 | 531 21 18-40 | SPRING | | 1 | |
| 80 | 589023001 | TBD | | 1 | |
| 81 | 532 14 24-32 | SCREW | | 5 | |
| 85 | 589008701 | TBD | | 1 | |
| 86 | 817 00 05-10 | BOLT | | 2 | |
| 90 | 582 75 06-02 | HANDLE BRACKET | right | 1 | |
| 91 | 582 75 02-02 | HANDLE BRACKET | left | 1 | |
| 92 | 582 75 89-01 | HEXAGON NUT FLANGE | M8 | 4 | |
| 142 | 576 13 60-06 | SCREW | M5x8 | 2 | |
| 143 | 579 30 09-01 | SEAL | | 1 | |

PRODUCT COMPLETE

M46-160 AWRPX, 96719480106, 2017-01

| Ref | Part No | Description | Remark | QTY | KIT |
|-----|--------------|---------------------|-------------------------------|-----|-----|
| 150 | 576 04 74-01 | SCREW CRPANT | M5x16 | 2 | |
| 151 | 575 56 21-04 | FRONT COVER ASSY | | 1 | |
| 152 | 574 37 52-01 | COVER | | 1 | 151 |
| 153 | 574 72 17-01 | ATTACHMENT PLATE | | 1 | 151 |
| 154 | 575 95 57-01 | SCREW ITXPANT | | 2 | 151 |
| 170 | 579 24 53-02 | SPRING | | 1 | |
| 171 | 580 96 33-01 | ROD | | 1 | |
| 175 | N/A | TBD | engine, Honda, 160A0S4BBSD | 1 | |
| 176 | 580 29 01-01 | SHROUD | | 1 | |
| 177 | 580 76 87-01 | SCREW ITXPANT | | 3 | |
| 180 | 580 42 43-01 | KNOB | | 2 | |
| 181 | 531 20 49-22 | WASHER | | 2 | |
| 182 | 531 21 14-74 | SEGMENT | outer | 2 | |
| 183 | 531 21 14-76 | SPRING | | 2 | |
| 184 | 531 21 14-73 | SEGMENT | inner | 2 | |
| 185 | 531 21 15-81 | PLATE | | 2 | |
| 186 | 581 25 95-01 | SCREW RSQM | M8x55 | 2 | |
| 188 | 581 91 26-01 | KNOB | | 1 | |
| 191 | 581 90 21-01 | GUIDE | | 1 | |
| 194 | 587 68 93-03 | BAIL ARM ASSY | | 1 | |
| 195 | 580 33 36-02 | HANDLE | | 1 | |
| 198 | 531 20 55-81 | CLIP | | 2 | |
| 200 | 580 83 36-01 | SCREW EHHM | | 1 | |
| 202 | 582 19 21-01 | CABLE ASSY | | 1 | |
| 203 | 531 20 80-43 | BRACKET | | 1 | 202 |
| 204 | 581 55 12-01 | HEXAGON LOCKING NUT | | 1 | |
| 210 | 580 68 39-01 | CONTROL | | 1 | |
| 215 | 587 24 93-02 | BACKPLATE | | 1 | |
| 216 | 532 18 16-98 | SCREW | | 4 | |