

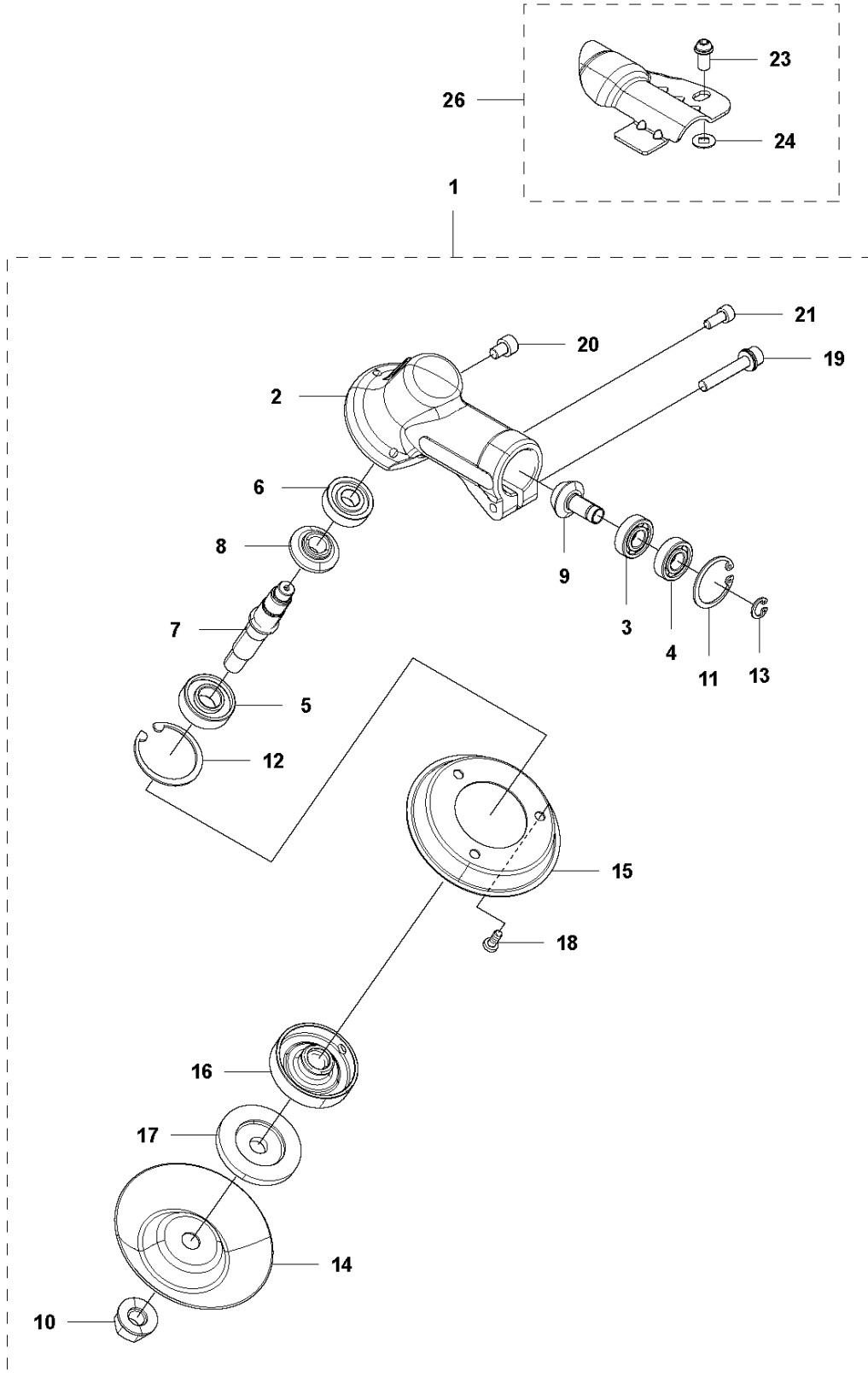


SPARE PARTS LIST

BRUSHCUTTERS/CLEARING SAWS

B40 B, 966778701, 2017-01

A B40B
BEVEL GEAR

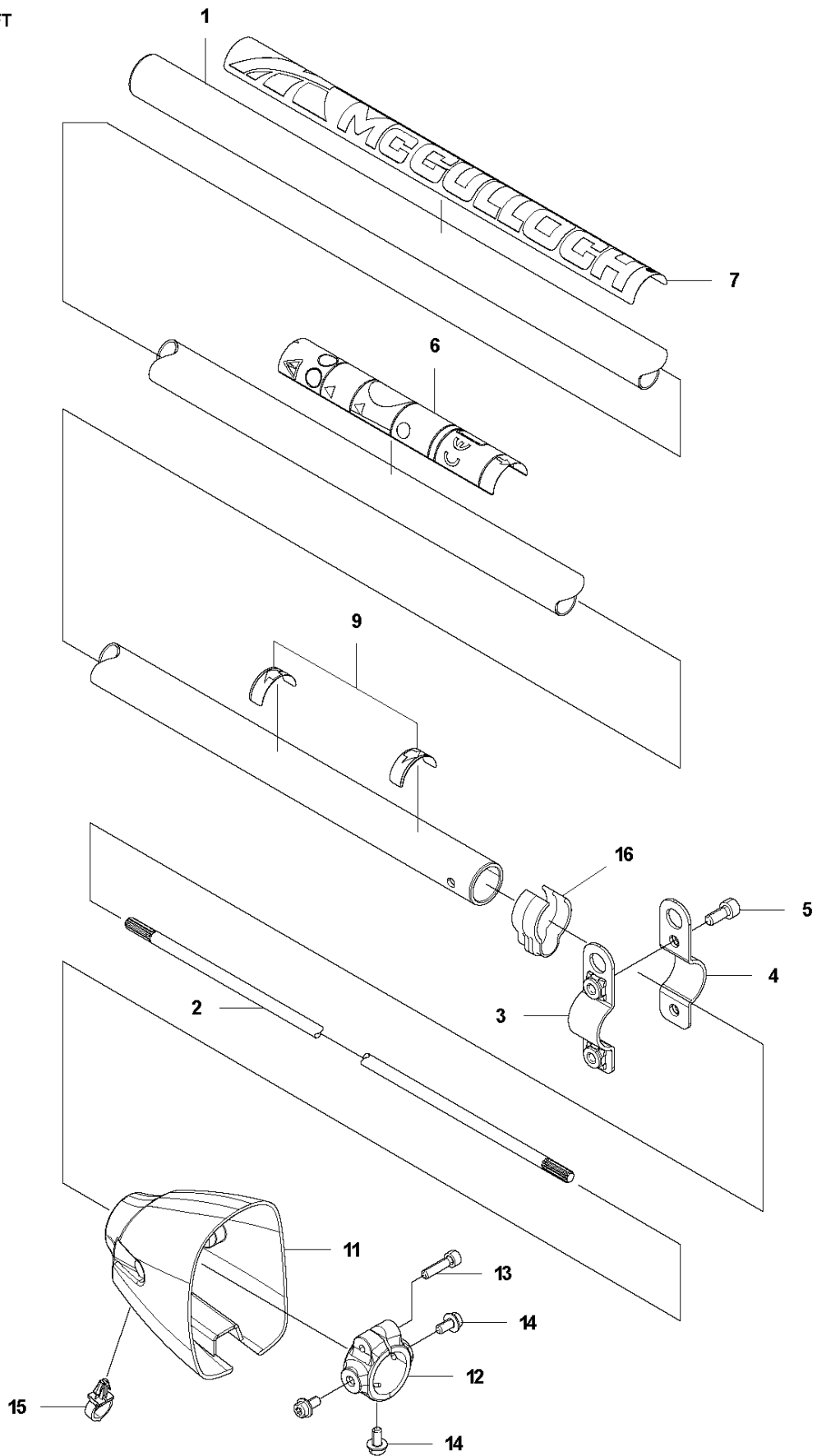


BEVEL GEAR

B40 B, 966778701, 2017-01

| Ref | Part No | Description | Remark | QTY | KIT |
|-----|--------------|-------------|--------|-----|-------|
| 1 | 578 33 33-01 | GEAR CASE | | 1 | |
| 2 | 579 00 65-01 | GEAR CASE | | 1 | 1, 25 |
| 3 | 505 16 92-01 | BEARING | | 1 | 1, 25 |
| 4 | 505 16 93-01 | BEARING | | 1 | 1, 25 |
| 5 | 510 56 97-01 | BEARING | | 1 | 1, 25 |
| 6 | 579 06 41-01 | BEARING | | 1 | 1, 25 |
| 7 | 579 00 69-01 | SHAFT | | 1 | 1, 25 |
| 8 | 579 00 72-01 | GEAR | | 1 | 1, 25 |
| 9 | 579 00 73-01 | PINION | | 1 | 1, 25 |
| 10 | 581 31 54-01 | NUT | | 1 | 1 |
| 11 | 505 16 94-01 | LOCK RING | | 1 | 1, 25 |
| 12 | 504 12 10-01 | SNAP RING | | 1 | 1, 25 |
| 13 | 521 82 18-01 | RING | | 1 | 1, 25 |
| 14 | 579 00 66-01 | COVER | | 1 | 1 |
| 15 | 579 00 67-01 | COVER | | 1 | 1, 25 |
| 16 | 579 00 71-01 | HOLDER | | 1 | 1 |
| 17 | 579 00 70-01 | HOLDER | | 1 | 1 |
| 18 | 510 46 46-01 | SCREW | | 3 | 1, 25 |
| 19 | 521 86 23-01 | BOLT | | 1 | 1 |
| 20 | 521 86 20-01 | BOLT | | 1 | 1, 25 |
| 21 | 521 86 11-01 | BOLT | | 1 | 1 |
| 23 | 530 01 57-71 | SCREW | | 1 | 26 |
| 24 | 575 67 73-01 | LOCKWASHER | | 1 | 26 |
| 26 | 579 21 69-01 | BRACKET | | 1 | |

B B40B
SHAFT

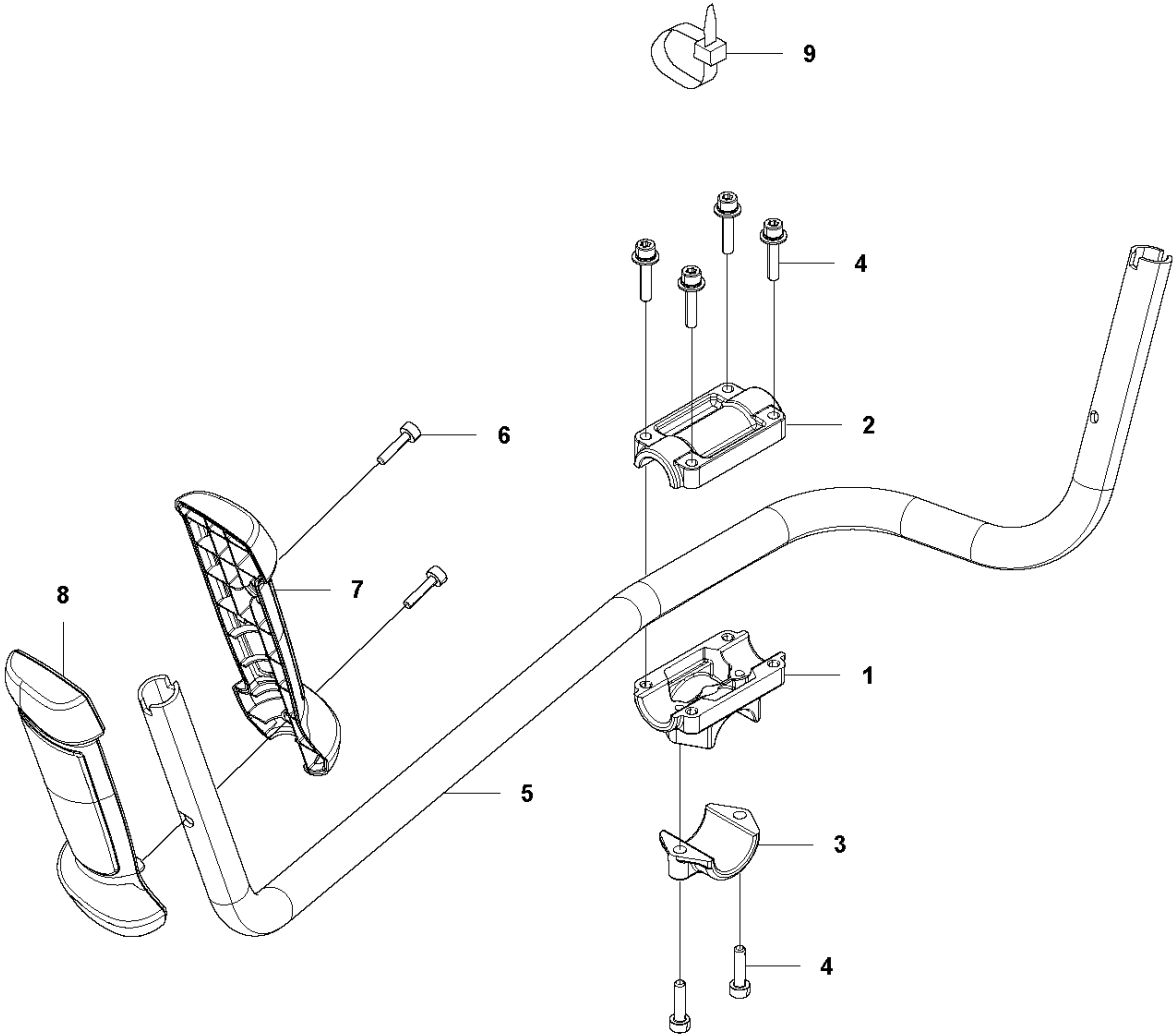


SHAFT

B40 B, 966778701, 2017-01

| Ref | Part No | Description | Remark | QTY KIT |
|-----|--------------|-------------|--------|---------|
| 1 | 578 33 30-01 | TUBE | | 1 |
| 2 | 578 33 32-01 | DRIVE SHAFT | | 1 |
| 3 | 579 07 36-01 | HOOK | | 1 |
| 4 | 579 07 35-01 | HOOK | | 1 |
| 5 | 544 25 80-01 | BOLT | | 2 |
| 6 | 587 36 28-01 | DECAL | | 1 |
| 7 | 578 96 43-01 | DECAL | | 1 |
| 9 | 580 23 73-01 | DECAL | | 2 |
| 11 | 578 86 75-02 | CONE | | 1 |
| 12 | 578 86 27-01 | BRACKET | | 1 |
| 13 | 510 90 46-01 | BOLT | | 1 |
| 14 | 521 51 59-01 | BOLT | | 3 |
| 15 | 579 01 15-01 | CLIP | | 1 |
| 16 | 521 65 40-01 | CLAMP | | 2 |

C B40B
HANDLE

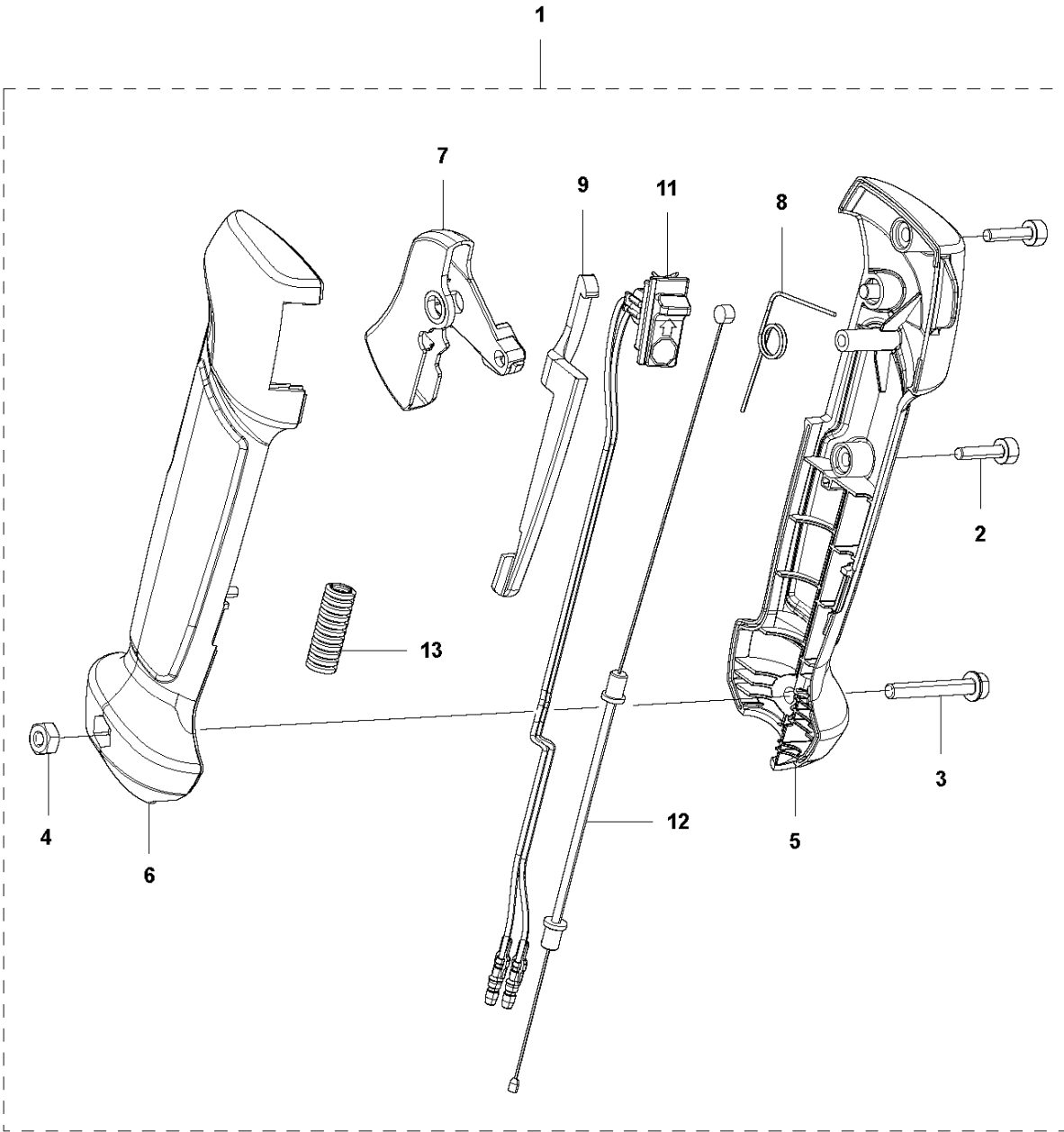


HANDLE

B40 B, 966778701, 2017-01

| Ref | Part No | Description | Remark | QTY KIT |
|-----|--------------|--------------|--------|---------|
| 1 | 578 96 33-01 | CLAMP | | 1 |
| 2 | 578 96 34-01 | CLAMP | | 1 |
| 3 | 578 96 35-01 | CLAMP | | 1 |
| 4 | 521 51 69-01 | BOLT | | 6 |
| 5 | 578 42 88-01 | HANDLEBAR | | 1 |
| 6 | 574 44 40-01 | SCREW ITXSCT | | 2 |
| 7 | 585 16 90-01 | HANDLE GRIP | | 1 |
| 8 | 585 16 91-01 | HANDLE GRIP | | 1 |
| 9 | 514 36 40-01 | BAND | | 1 |

D B40B
THROTTLE CONTROLS

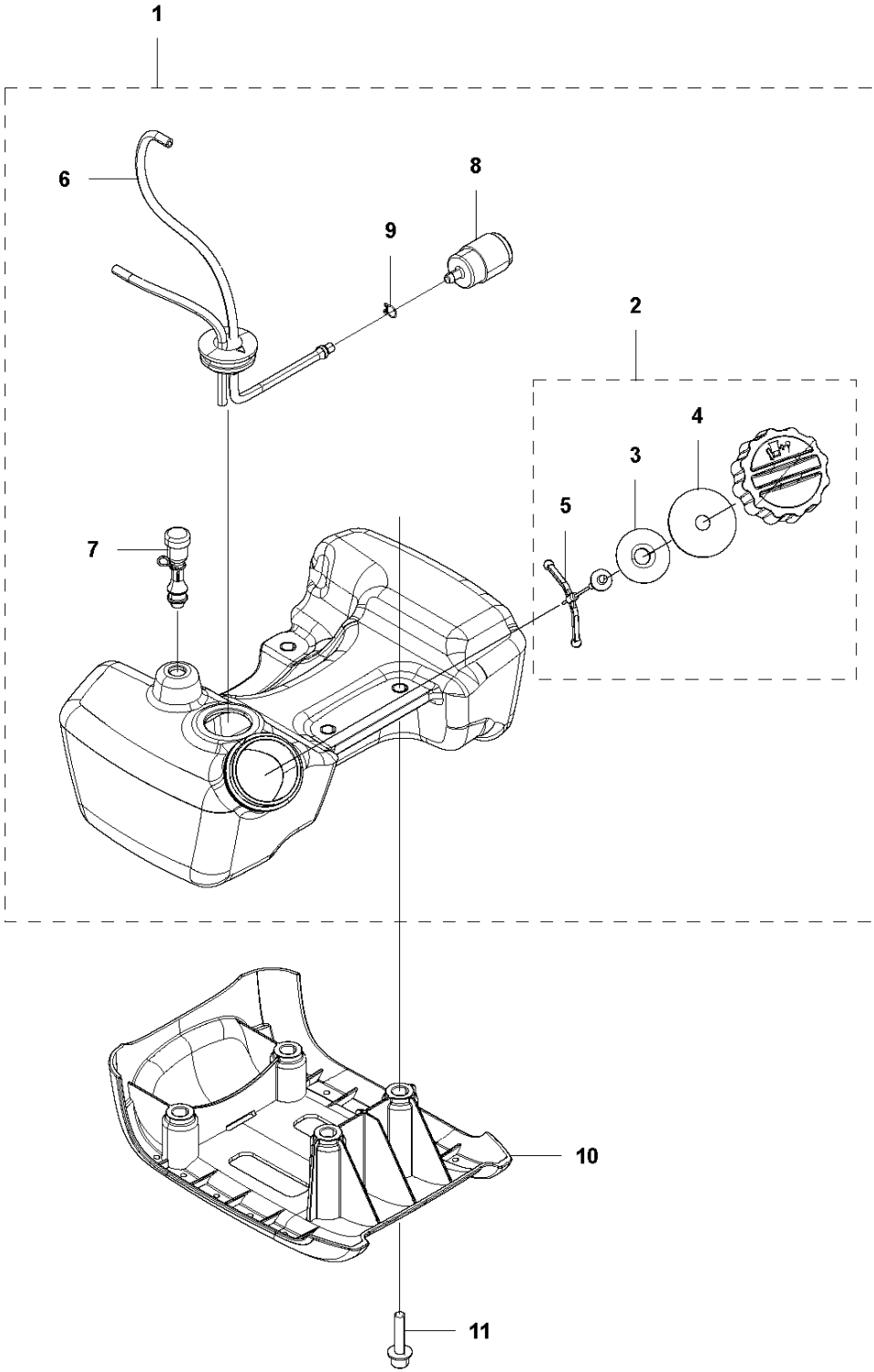


THROTTLE CONTROLS

B40 B, 966778701, 2017-01

| Ref | Part No | Description | Remark | QTY | KIT |
|-----|--------------|---------------------|--------|-----|-----|
| 1 | 585 16 82-01 | THROTTLE HANDLE | | 1 | |
| 2 | 574 44 40-01 | SCREW ITXSCT | | 2 | 1 |
| 3 | 525 75 51-09 | SCREW ITXSCTFM | | 1 | 1 |
| 4 | 503 22 10-10 | HEXAGON NUT | | 1 | 1 |
| 5 | 585 16 83-01 | HANDLE GRIP | | 1 | 1 |
| 6 | 585 16 84-01 | HANDLE GRIP | | 1 | 1 |
| 7 | 585 16 85-01 | THROTTLE LEVER | | 1 | 1 |
| 8 | 580 72 12-01 | SPRING | | 1 | 1 |
| 9 | 585 16 86-01 | THROTTLE LOCKOUT | | 1 | 1 |
| 11 | 579 37 89-01 | SHORT CIRCUIT CABLE | | 1 | 1 |
| 12 | 585 16 88-01 | THROTTLE CABLE | | 1 | 1 |
| 13 | 577 60 14-01 | TUBE | | 1 | 1 |

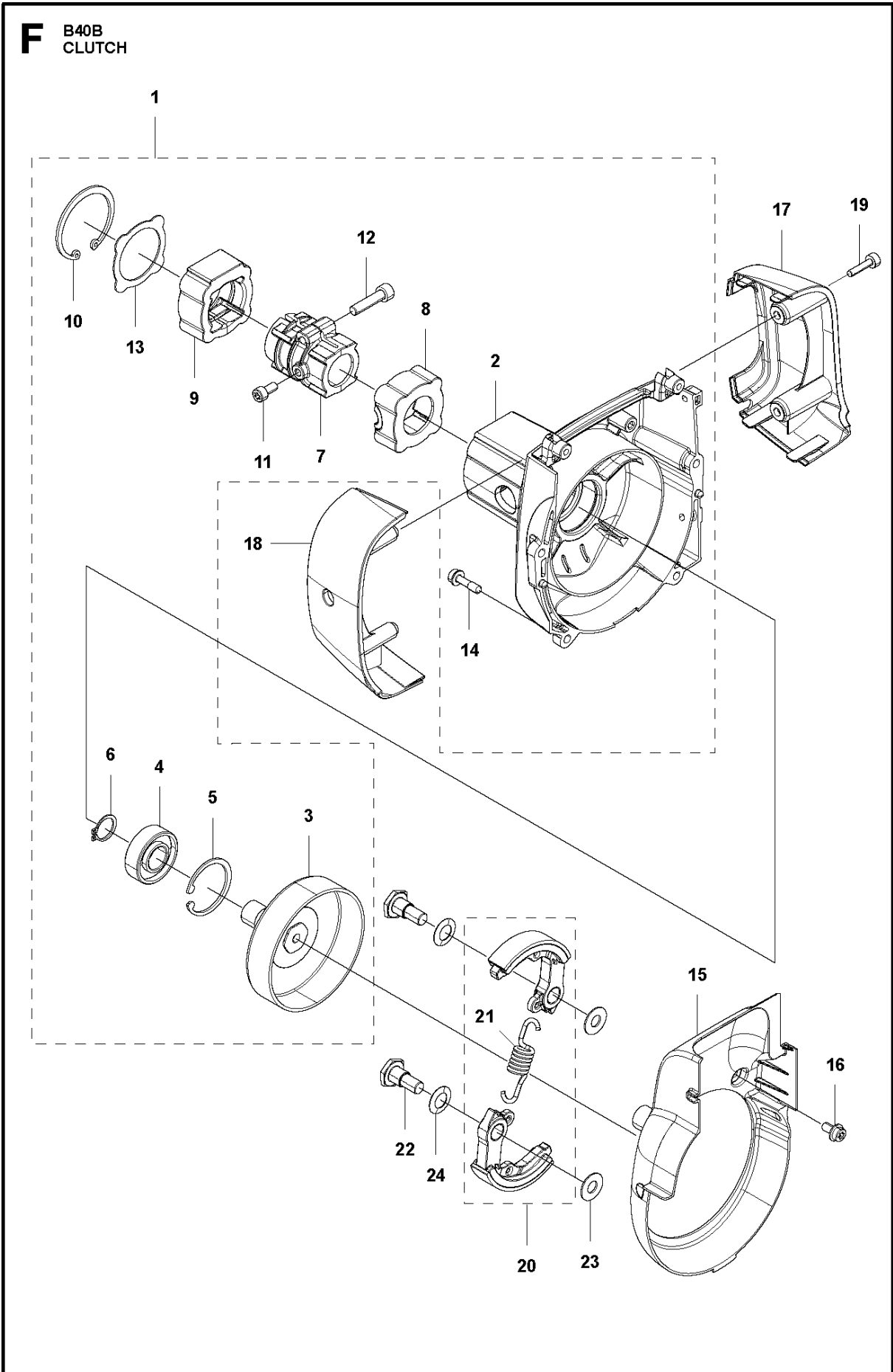
E B40B
FUEL TANK



FUEL TANK

B40 B, 966778701, 2017-01

| Ref | Part No | Description | Remark | QTY | KIT |
|-----|--------------|---------------|--------|-----|------|
| 1 | 578 96 61-01 | FUEL TANK | | 1 | |
| 2 | 580 92 68-01 | TANK CAP ASSY | | 1 | 1 |
| 3 | 574 16 60-01 | HUB CAP | | 1 | 1, 2 |
| 4 | 580 92 67-01 | GASKET | | 1 | 1, 2 |
| 5 | 574 16 19-01 | HOLDER | | 1 | 1, 2 |
| 6 | 577 50 99-01 | PIPE | | 1 | 1 |
| 7 | 515 38 73-01 | BREATHER | | 1 | 1 |
| 8 | 506 61 46-01 | FILTER | | 1 | 1 |
| 9 | 506 70 70-01 | CLIP | | 1 | 1 |
| 10 | 578 30 25-01 | SKID PLATE | | 1 | |
| 11 | 521 51 69-01 | BOLT | | 4 | |

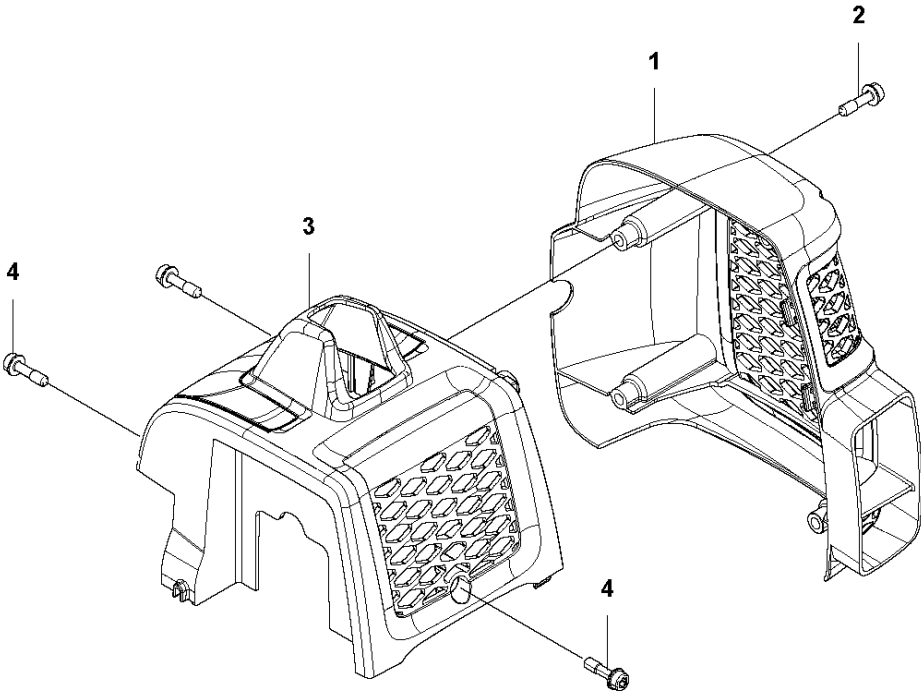


CLUTCH

B40 B, 966778701, 2017-01

| Ref | Part No | Description | Remark | QTY | KIT |
|-----|--------------|--------------|--------|-----|-----|
| 1 | 579 17 99-01 | HOUSING | | 1 | |
| 2 | 578 33 14-01 | CLUTCH | | 1 | 1 |
| 3 | 505 29 38-01 | DRUM | | 1 | 1 |
| 4 | 516 13 17-01 | BALL BEARING | | 1 | 1 |
| 5 | 502 84 93-01 | SNAP RING | | 1 | 1 |
| 6 | 516 12 42-01 | RING | | 1 | 1 |
| 7 | 578 33 15-01 | CLAMP | | 1 | 1 |
| 8 | 521 65 46-01 | ABSORBER | | 1 | 1 |
| 9 | 521 65 47-01 | ABSORBER | | 1 | 1 |
| 10 | 516 12 64-01 | RING | | 1 | 1 |
| 11 | 504 11 96-01 | SCREW | | 1 | 1 |
| 12 | 521 51 75-01 | BOLT | | 1 | 1 |
| 13 | 521 65 49-01 | SPACER | | 1 | 1 |
| 14 | 577 94 23-01 | BOLT | | 4 | 1 |
| 15 | 578 32 58-01 | FAN COVER | | 1 | |
| 16 | 521 51 59-01 | BOLT | | 2 | |
| 17 | 578 30 18-01 | COVER | | 1 | |
| 18 | 578 30 19-01 | COVER | | 1 | |
| 19 | 574 44 40-01 | SCREW ITXSCT | | 2 | |
| 20 | 521 63 64-01 | SHOE | | 1 | |
| 21 | 521 52 34-01 | SPRING | | 1 | 20 |
| 22 | 505 29 78-01 | SCREW | | 2 | |
| 23 | 505 29 80-01 | WASHER | | 2 | |
| 24 | 505 29 81-01 | WASHER | | 2 | |

G B40B
CYLINDER COVER

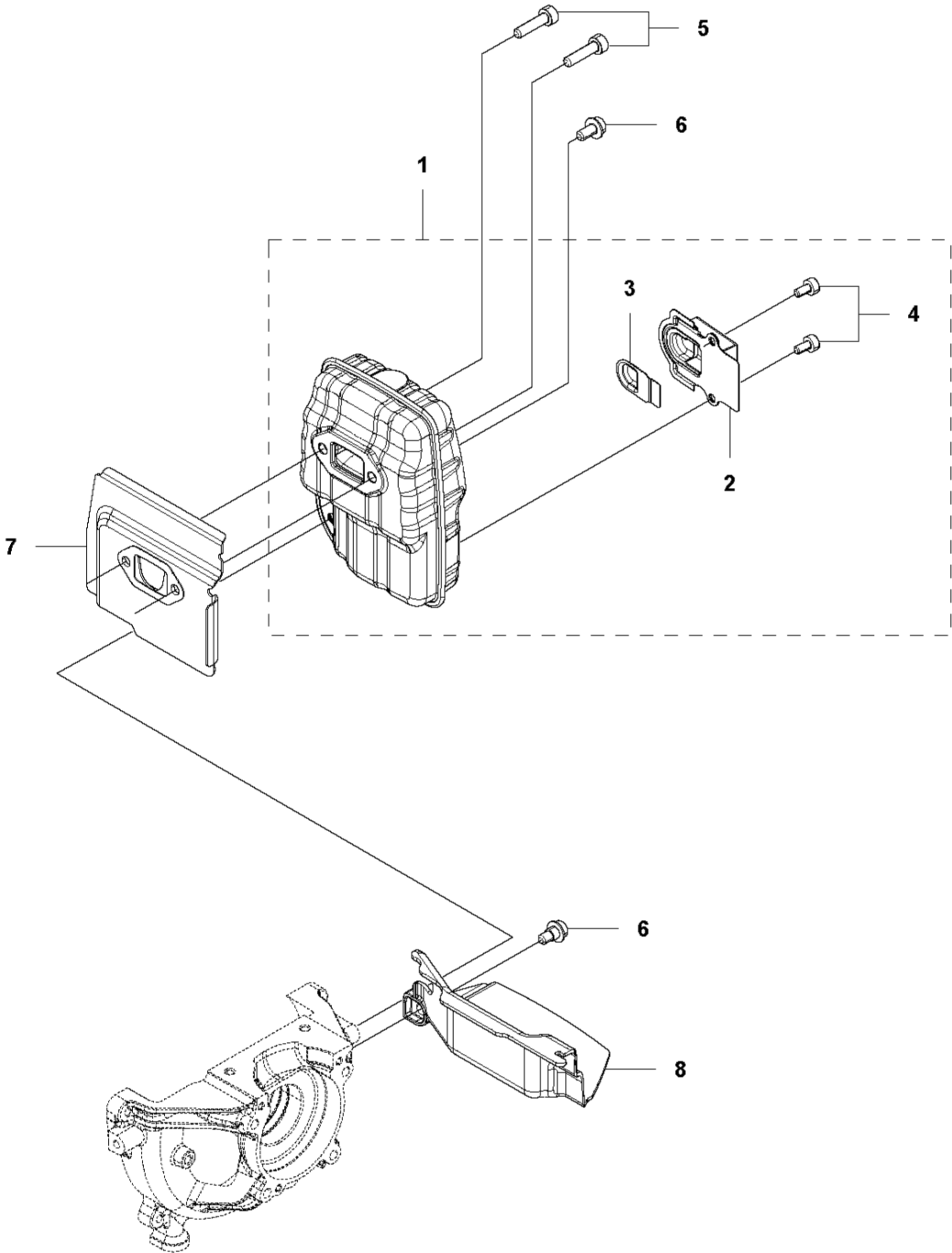


CYLINDER COVER

B40 B, 966778701, 2017-01

| Ref | Part No | Description | Remark | QTY KIT |
|-----|--------------|----------------|--------|---------|
| 1 | 578 30 17-01 | MUFFLER GUARD | | 1 |
| 2 | 577 81 54-02 | BOLT | | 4 |
| 3 | 578 30 20-01 | CYLINDER COVER | | 1 |
| 4 | 577 81 54-02 | BOLT | | 3 |

H B40B
MUFFLER

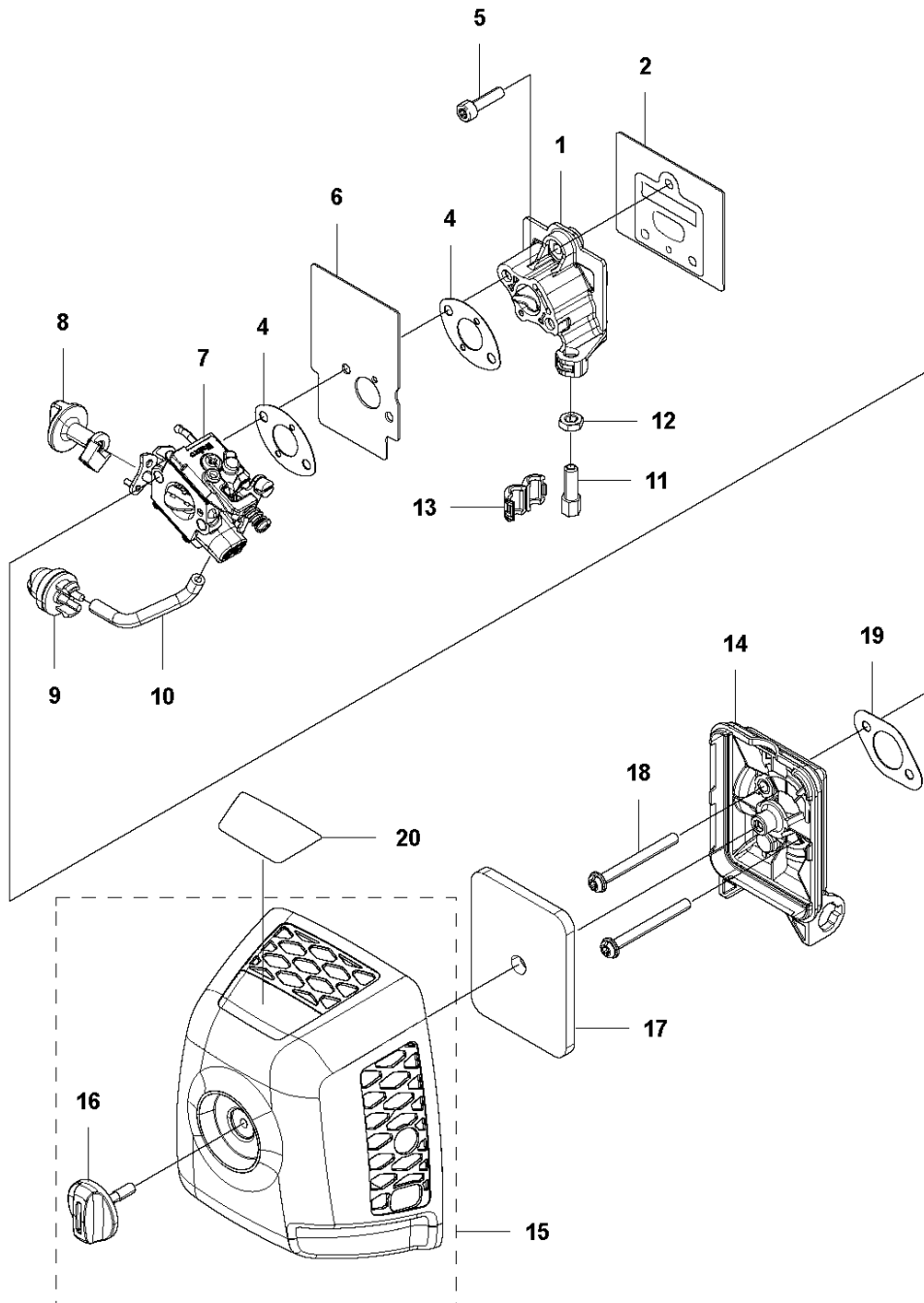


MUFFLER

B40 B, 966778701, 2017-01

| Ref | Part No | Description | Remark | QTY | KIT |
|-----|--------------|---------------|--------|-----|-----|
| 1 | 576 78 50-01 | MUFFLER | | 1 | |
| 2 | 521 62 34-01 | GUIDE | | 1 | 1 |
| 3 | 521 62 30-01 | ARESTER | | 1 | 1 |
| 4 | 544 36 27-01 | BOLT | | 2 | 1 |
| 5 | 504 11 43-01 | SCREW | | 2 | |
| 6 | 521 51 59-01 | BOLT | | 2 | |
| 7 | 577 80 41-01 | GASKET | | 1 | |
| 8 | 586 34 84-01 | MUFFLER GUARD | | 1 | |

J B40B
CARBURETOR & AIRFILTER

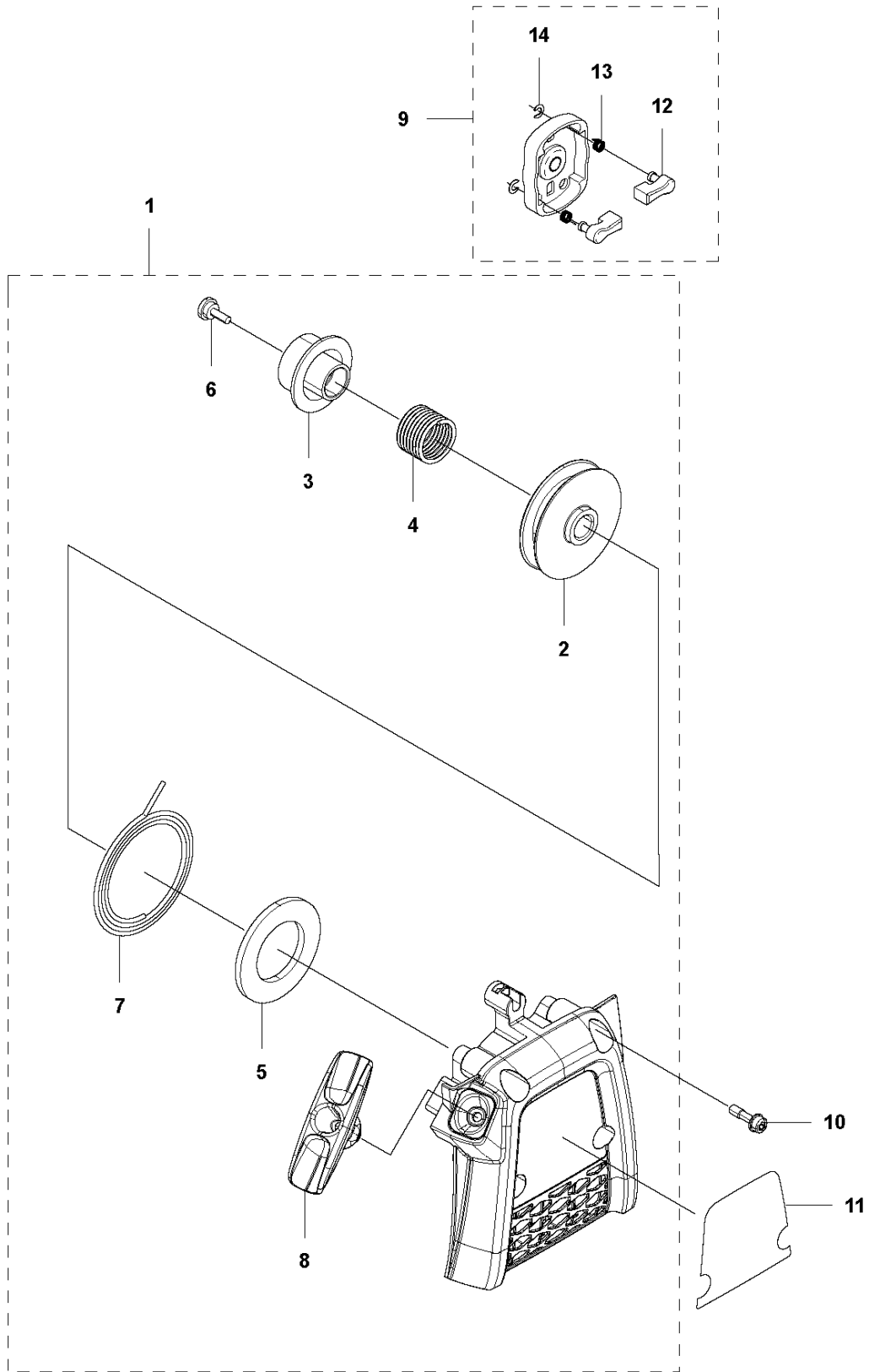


CARBURETOR & AIR FILTER

B40 B, 966778701, 2017-01

| Ref | Part No | Description | Remark | QTY | KIT |
|-----|--------------|----------------|--------|-----|-----|
| 1 | 576 68 58-01 | INSULATOR | | 1 | |
| 2 | 585 99 66-01 | GASKET | | 1 | |
| 4 | 577 67 38-01 | GASKET | | 2 | |
| 5 | 506 68 90-01 | BOLT | | 3 | |
| 6 | 579 44 59-01 | PLATE | | 1 | |
| 7 | 586 49 10-01 | CARBURETTOR | | 1 | |
| 8 | 577 13 31-02 | CHOKE CONTROL | | 1 | |
| 9 | 503 93 66-01 | PURGE | | 1 | |
| 10 | 577 50 95-01 | TUBE | | 1 | |
| 11 | 577 17 72-01 | SCREW | | 1 | |
| 12 | 580 51 78-01 | NUT | | 1 | |
| 13 | 577 13 32-01 | JOINT | | 1 | |
| 14 | 576 68 55-01 | FILTER HOUSING | | 1 | |
| 15 | 579 18 00-01 | FILTER COVER | | 1 | |
| 16 | 537 21 32-01 | KNOB | | 1 | 15 |
| 17 | 577 92 67-01 | AIR FILTER | | 1 | |
| 18 | 521 51 55-01 | SCREW | | 2 | |
| 19 | 577 88 24-02 | GASKET | | 1 | |
| 20 | 578 33 22-01 | DECAL | | 1 | |

K B40B
STARTER

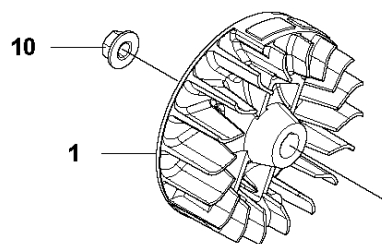
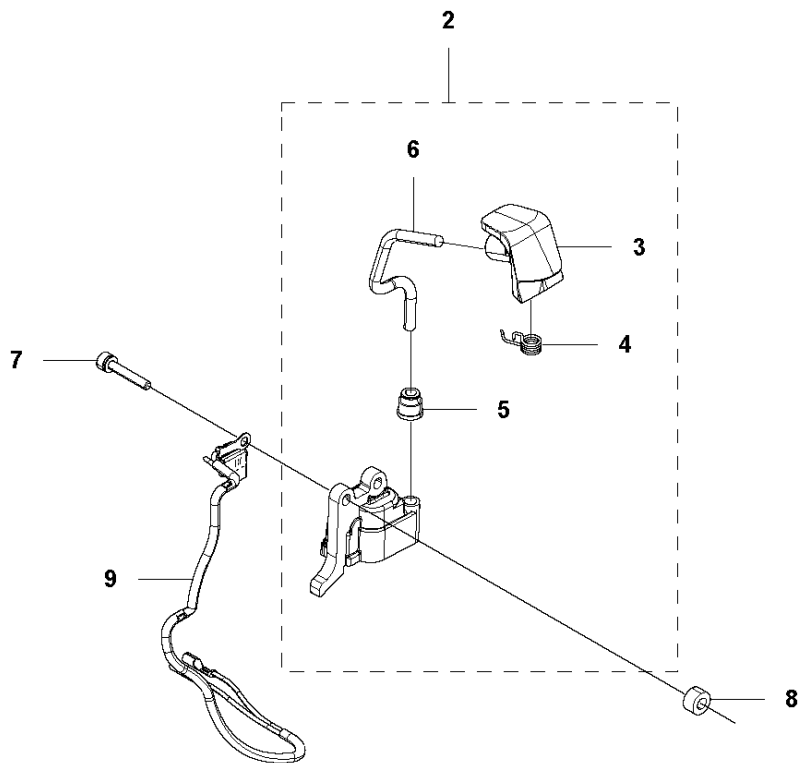


STARTER

B40 B, 966778701, 2017-01

| Ref | Part No | Description | Remark | QTY | KIT |
|-----|--------------|----------------|--------|-----|-----|
| 1 | 581 61 23-01 | STARTER | | 1 | |
| 2 | 579 11 08-01 | STARTER PULLEY | | 1 | 1 |
| 3 | 521 61 85-01 | PLATE | | 1 | 1 |
| 4 | 521 61 84-01 | SPRING | | 1 | 1 |
| 5 | 579 11 09-01 | SPIRAL SPRING | | 1 | 1 |
| 6 | 515 36 71-01 | SCREW | | 1 | 1 |
| 7 | 579 11 10-01 | STARTER ROPE | | 1 | 1 |
| 8 | 576 37 46-01 | STARTER HANDLE | | 1 | 1 |
| 9 | 579 11 11-01 | PULLEY | | 1 | |
| 10 | 577 81 54-02 | BOLT | | 4 | |
| 11 | 578 33 21-01 | DECAL | | 1 | |
| 12 | 580 73 69-01 | RATCHET | | 2 | 9 |
| 13 | 521 61 87-01 | SPRING | | 2 | 9 |
| 14 | 513 16 77-01 | E-RING | | 2 | 9 |

L B40B
IGNITION SYSTEM

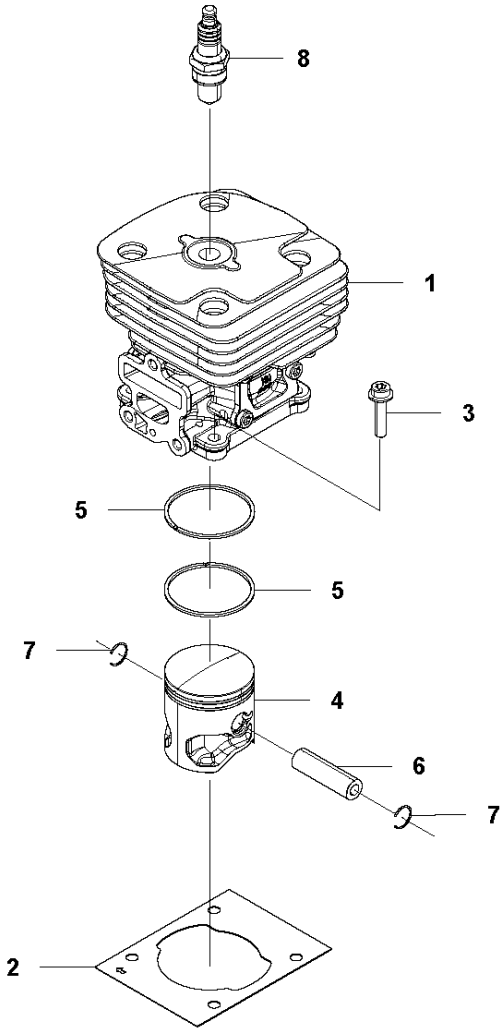


IGNITION SYSTEM

B40 B, 966778701, 2017-01

| Ref | Part No | Description | Remark | QTY | KIT |
|-----|--------------|----------------------|--------|-----|-----|
| 1 | 583 91 89-01 | FLYWHEEL | | 1 | |
| 2 | 578 33 51-01 | IGNITION MODULE ASSY | | 1 | |
| 3 | 578 33 16-01 | SPARK PLUG CAP | | 1 | 2 |
| 4 | 506 65 52-01 | SPRING | | 1 | 2 |
| 5 | 505 04 28-01 | HUB CAP | | 1 | 2 |
| 6 | 585 09 48-01 | IGNITION CABLE | | 1 | 2 |
| 7 | 521 51 58-01 | BOLT | | 2 | |
| 8 | 588 17 14-01 | SPACER | | 2 | |
| 9 | 578 89 40-01 | CORD | | 1 | |
| 10 | 504 11 80-01 | NUT | | 1 | |

M B40B
CYLINDER & PISTON

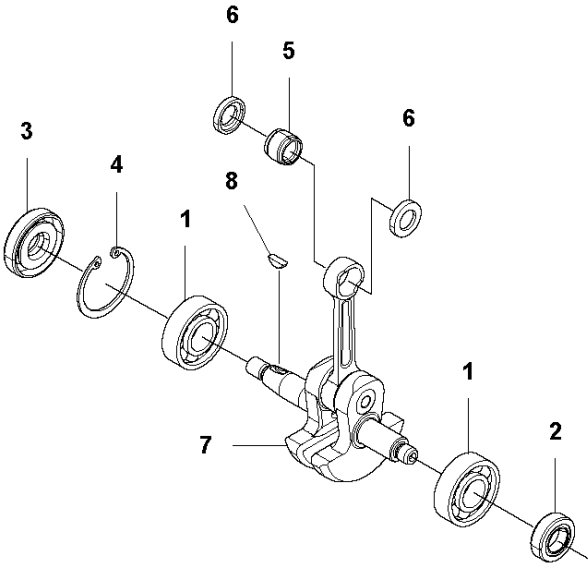


CYLINDER PISTON

B40 B, 966778701, 2017-01

| Ref | Part No | Description | Remark | QTY KIT |
|-----|--------------|-------------|--------|---------|
| 1 | 577 40 95-02 | CYLINDER | | 1 |
| 2 | 521 62 20-01 | GASKET | | 1 |
| 3 | 506 74 52-01 | BOLT | | 4 |
| 4 | 587 45 43-01 | PISTON | | 1 |
| 5 | 510 91 80-01 | PISTON RING | | 2 |
| 6 | 521 52 27-01 | PEN | | 1 |
| 7 | 516 28 30-01 | RING | | 2 |
| 8 | 528 07 40-01 | SPARK PLUG | | 1 |

N B40B
CRANK SHAFT

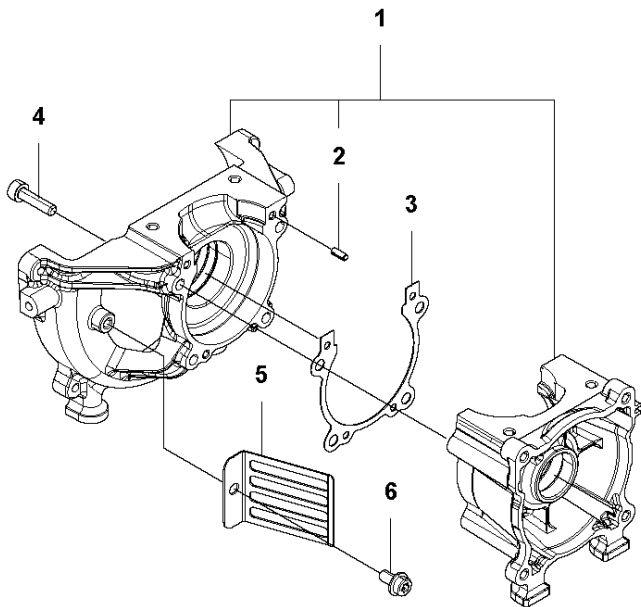


CRANKSHAFT

B40 B, 966778701, 2017-01

| Ref | Part No | Description | Remark | QTY KIT |
|-----|--------------|-------------|--------|---------|
| 1 | 504 12 14-01 | BEARING | | 2 |
| 2 | 504 12 15-01 | SEALING | | 1 |
| 3 | 505 29 67-01 | SEAL | | 1 |
| 4 | 504 12 10-01 | SNAP RING | | 1 |
| 5 | 505 29 73-01 | BEARING | | 1 |
| 6 | 513 75 24-01 | WASHER | | 2 |
| 7 | 521 62 39-01 | SHAFT-COMP | | 1 |
| 8 | 506 68 94-01 | KEY | | 1 |

P B40B
CRANKCASE

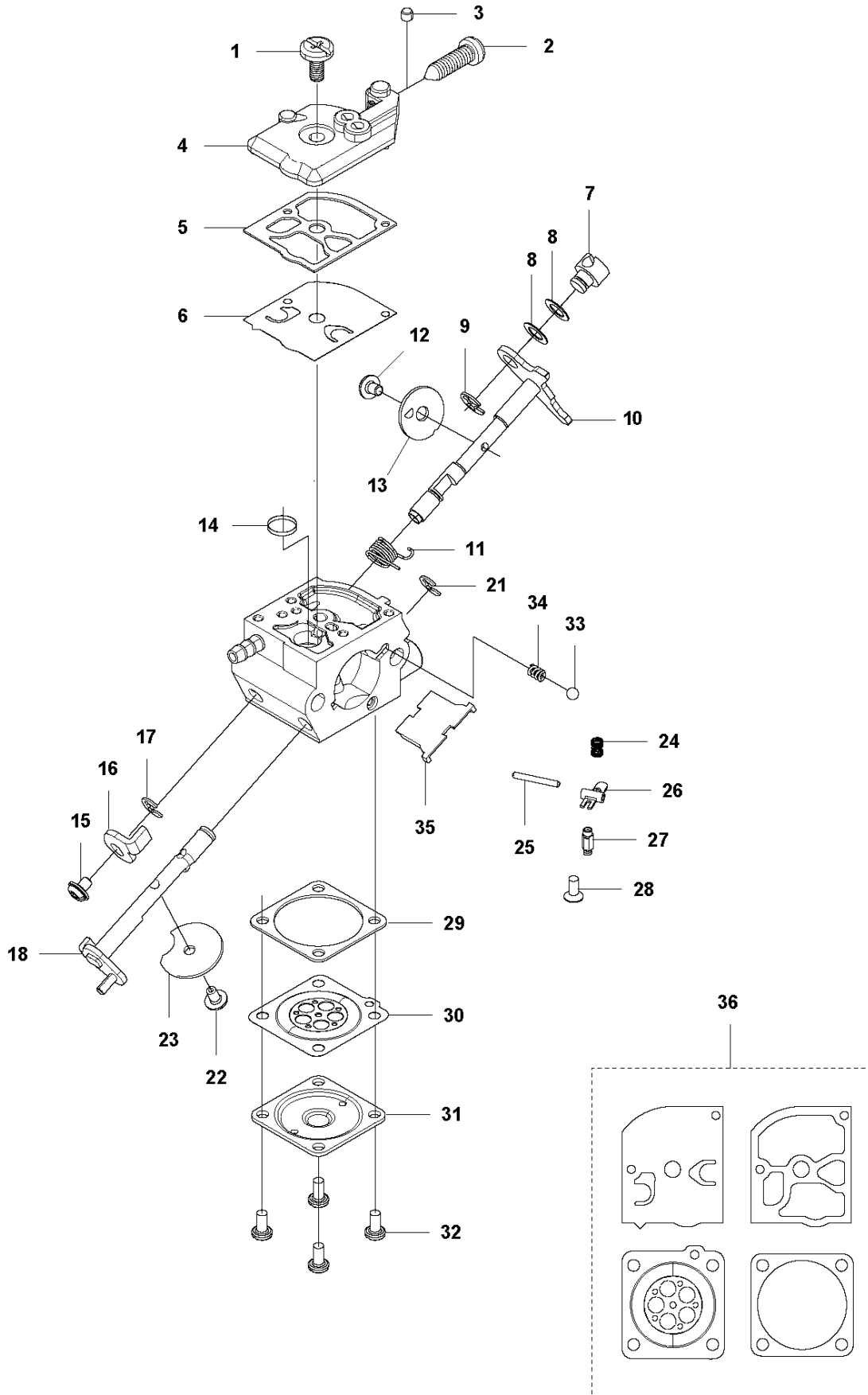


CRANKCASE

B40 B, 966778701, 2017-01

| Ref | Part No | Description | Remark | QTY KIT |
|-----|--------------|-------------|--------|---------|
| 1 | 521 62 35-03 | CASE | | 1 |
| 2 | 505 29 61-01 | PIN | | 3 |
| 3 | 521 62 36-01 | GASKET | | 1 |
| 4 | 504 11 43-01 | SCREW | | 4 |
| 5 | 515 41 26-01 | GUARD | | 1 |
| 6 | 521 51 59-01 | BOLT | | 1 |

Q B40B
CARBURETOR

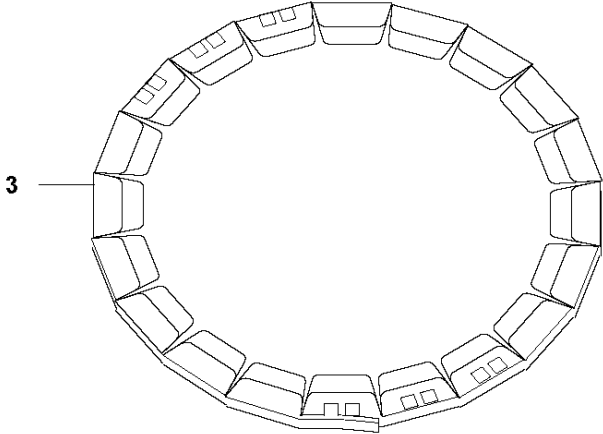
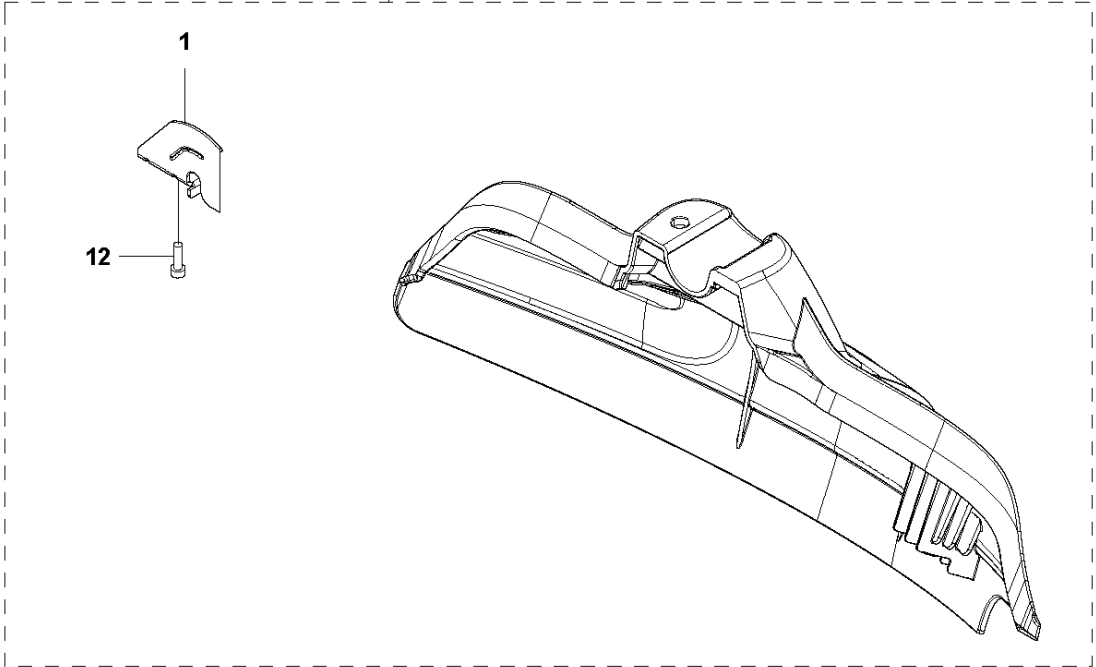
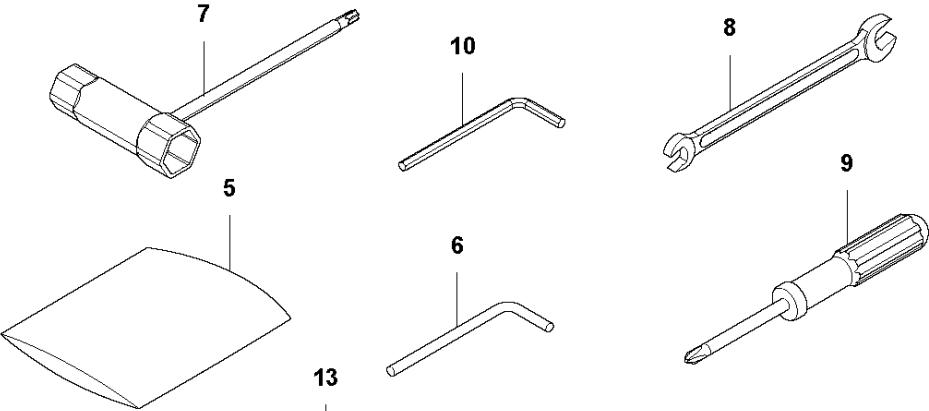


CARBURETOR

B40 B, 966778701, 2017-01

| Ref | Part No | Description | Remark | QTY KIT |
|-----|--------------|---------------|--------|---------|
| 1 | 577 89 93-01 | SCREW | | 1 |
| 2 | 579 63 17-01 | SCREW | | 1 |
| 3 | 578 38 97-01 | PLUG | | 1 |
| 4 | 578 38 98-01 | COVER | | 1 |
| 5 | 577 89 94-01 | GASKET | | 1 |
| 6 | 577 89 95-01 | DIAPHRAGM | | 1 |
| 7 | 586 38 34-01 | SWIVEL | | 1 |
| 8 | 577 90 11-01 | GASKET | | 2 |
| 9 | 577 90 04-01 | E-RING | | 1 |
| 10 | 578 38 95-01 | SHAFT | | 1 |
| 11 | 577 90 06-01 | SPRING | | 1 |
| 12 | 577 89 97-01 | SCREW | | 1 |
| 13 | 587 99 26-01 | VALVE | | 1 |
| 14 | 577 90 03-01 | STRAINER | | 1 |
| 15 | 577 89 97-01 | SCREW | | 1 |
| 16 | 577 90 13-01 | LEVER | | 1 |
| 17 | 577 90 04-01 | E-RING | | 1 |
| 18 | 587 99 30-01 | SHAFT | | 1 |
| 21 | 585 32 02-01 | RING | | 1 |
| 22 | 577 89 97-01 | SCREW | | 1 |
| 23 | 580 31 02-01 | VALVE | | 1 |
| 24 | 579 63 18-01 | SPRING | | 1 |
| 25 | 578 39 06-01 | PIN | | 1 |
| 26 | 578 30 02-01 | DRILL BIT SEG | | 1 |
| 27 | 579 63 19-01 | VALVE | | 1 |
| 28 | 578 39 03-01 | SCREW | | 1 |
| 29 | 577 89 99-01 | GASKET | | 1 |
| 30 | 577 90 01-01 | DIAPHRAGM | | 4 |
| 31 | 577 90 00-01 | COVER | | 1 |
| 32 | 577 90 05-01 | SCREW | | 1 |
| 33 | 577 90 15-01 | BALL | | 1 |
| 34 | 577 90 16-01 | SPRING | | 2 |
| 35 | 577 90 10-01 | PLATE | | 1 |
| 36 | 577 90 18-01 | GASKET KIT | | 1 |

R B40B
ACCESSORIES

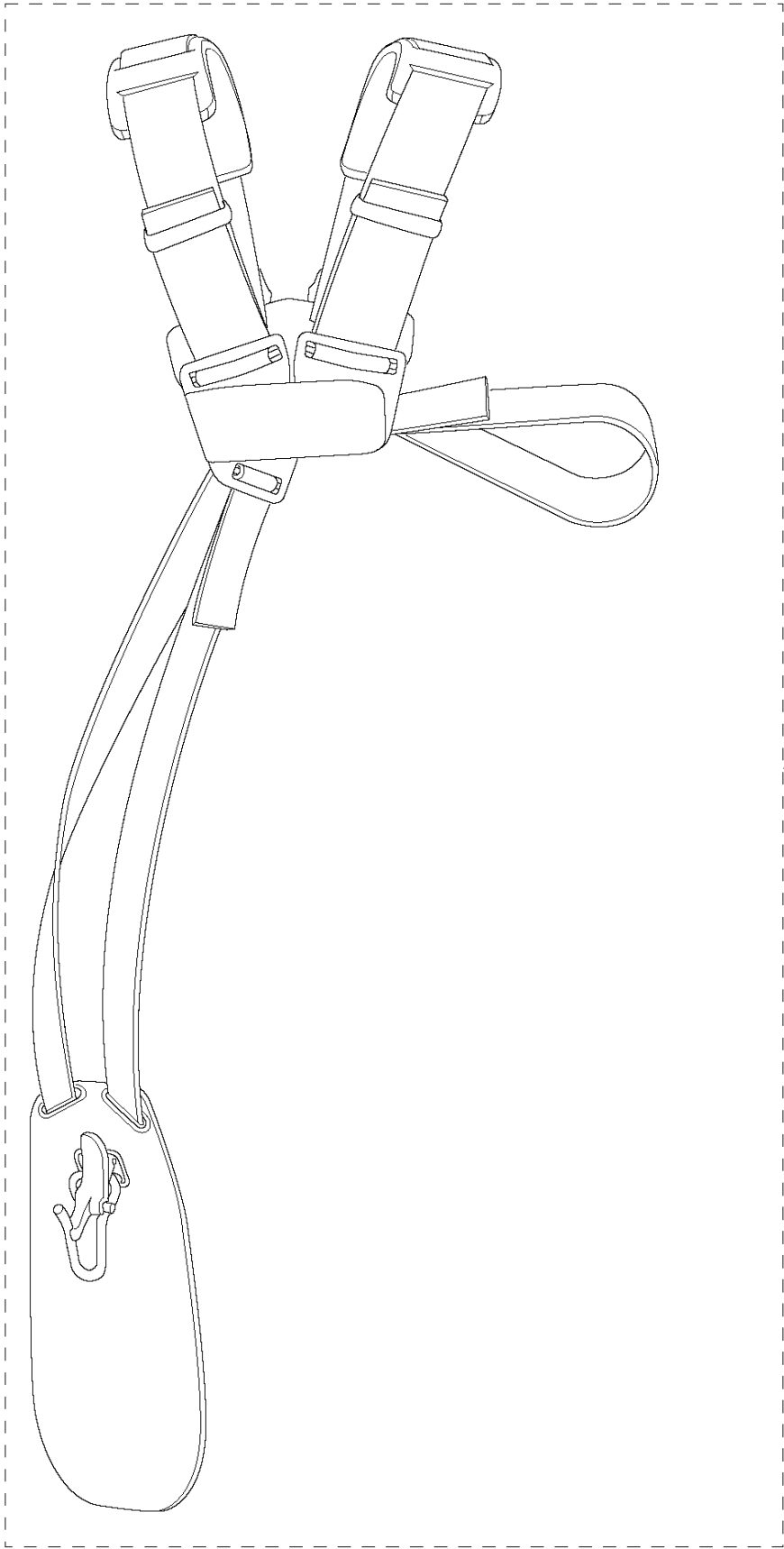


ACCESSORIES

B40 B, 966778701, 2017-01

| Ref | Part No | Description | Remark | QTY | KIT |
|-----|--------------|-------------|--------|-----|-----|
| 1 | 530 05 22-86 | LINE | | 1 | 13 |
| 3 | 574 35 23-01 | COVER | | 2 | |
| 5 | 506 74 41-01 | BAG | | 1 | |
| 6 | 580 30 91-01 | BAR | | 1 | |
| 7 | 521 53 31-01 | SOCKET | | 1 | |
| 8 | 506 61 50-01 | SPANNER | | 1 | |
| 9 | 506 68 95-01 | DRIVER | | 1 | |
| 10 | 580 47 70-01 | WRENCH | | 1 | |
| 12 | 530 01 58-14 | SCREW | | 2 | 13 |
| 13 | 580 30 50-01 | SHIELD | | 1 | |

S B40B
HARNESS



1

HARNESS

B40 B, 966778701, 2017-01

| Ref | Part No | Description | Remark | QTY KIT |
|-----|--------------|-------------|--------|---------|
| 1 | 544 84 58-02 | HARNESS | | 1 |