

ILLUSTRATED PARTS LIST

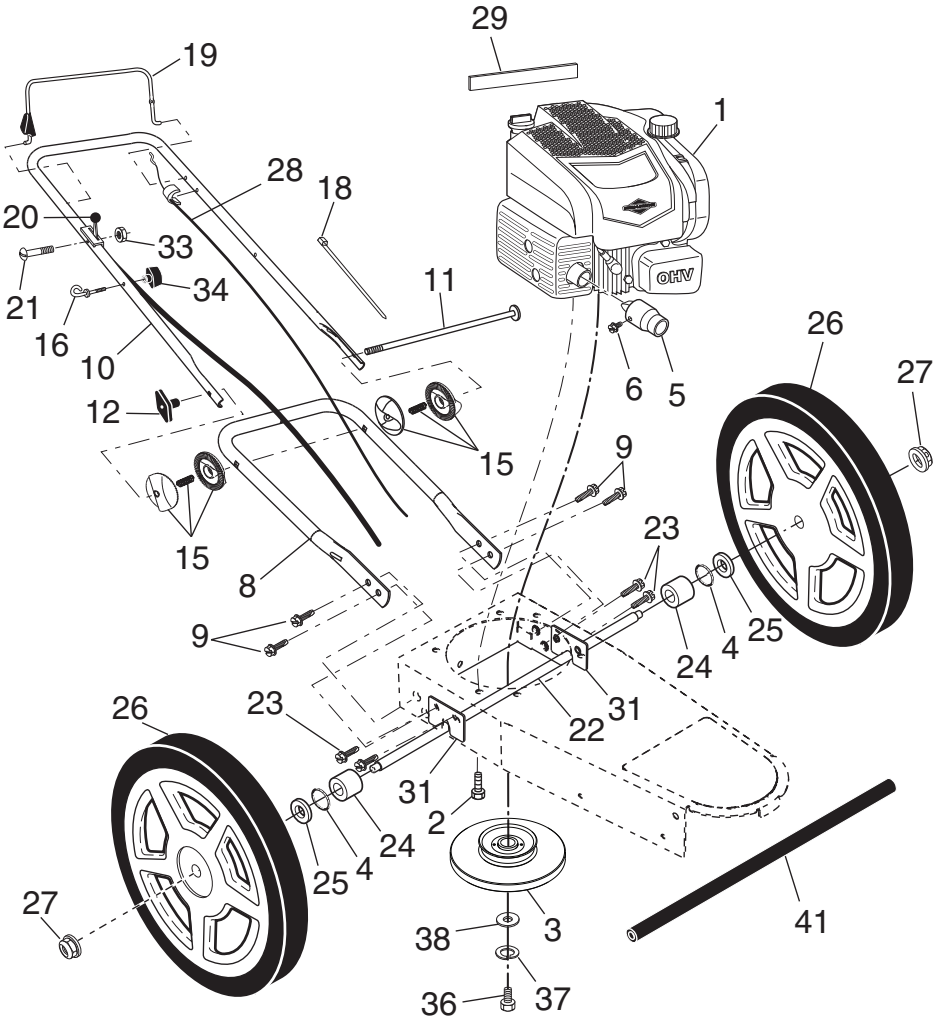


WHEELED WEED TRIMMER

MODEL NUMBER MWT420

MFG. ID. NUMBER 96171000307

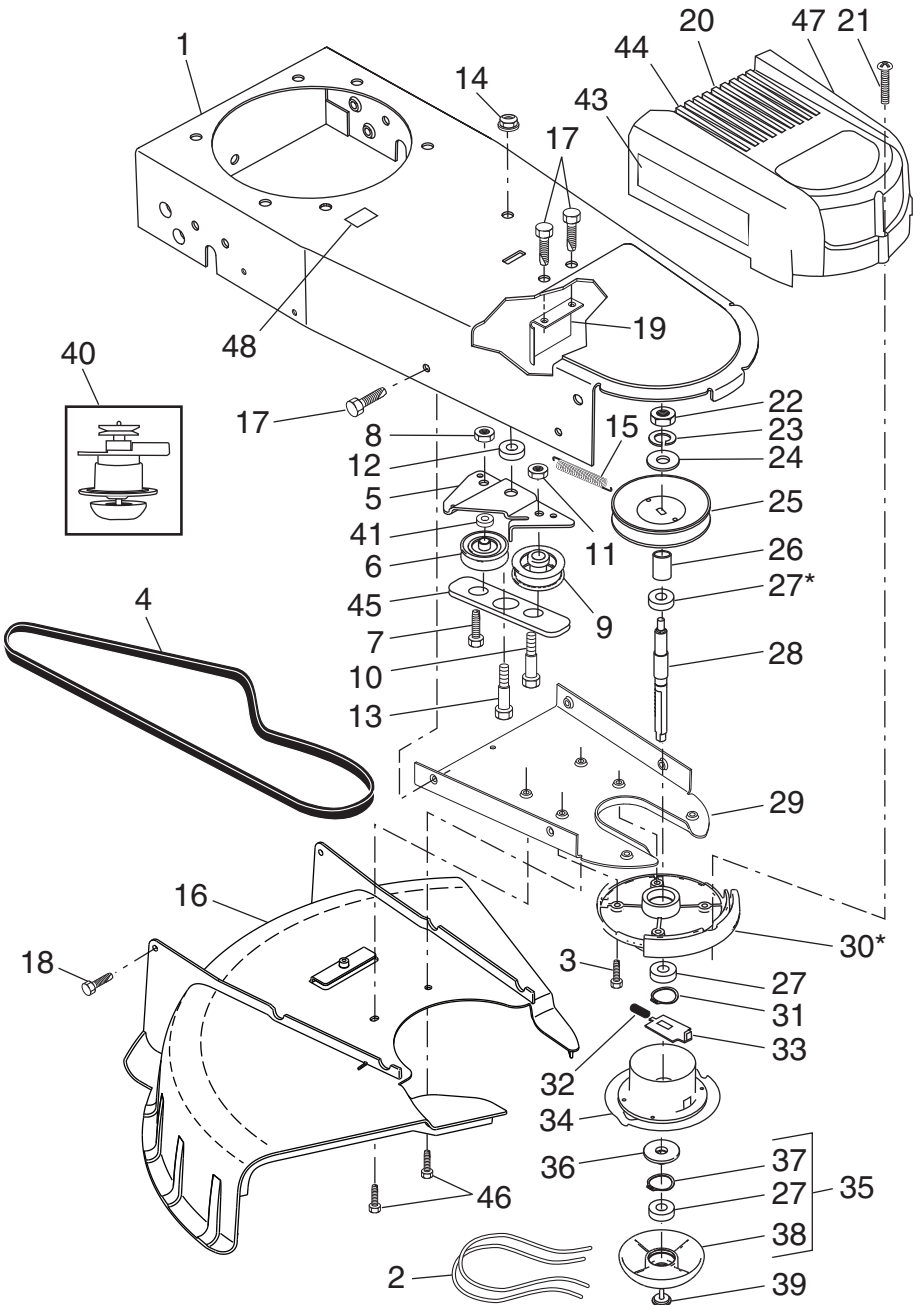
**MCCULLOCH WEED TRIMMER - MODEL NUMBER MWT420
(MFG. ID. NUMBER 96171000307)**



**MCCULLOCH WEED TRIMMER - MODEL NUMBER MWT420
(MFG. ID. NUMBER 96171000307)**

KEY NO.	PART NO.	DESCRIPTION
1	---	Engine, Briggs & Stratton, Model Number 103M02-0027-H5 (Order parts from Briggs & Stratton)
2	532 15 04-06	Bolt, Engine Mounting 3/8-16
3	588 45 27-02	Flywheel
4	532 08 83-48	Washer, Flat 1/4
5	501 85 75-01	Spark Arrester
6	582 12 22-01	Screw
8	532 18 67-54	Handle, Lower
9	532 42 88-67	Screw
10	532 18 67-55	Handle, Upper
11	532 17 09-80	Bolt, Handle
12	532 19 19-38	Knob, Handle
15	532 17 97-51	Handle Adjuster Assembly
16	581 90 21-01	Guide, Rope
18	532 06 64-26	Wire Tire
19	587 56 41-13	Control Bar Assembly
20	588 59 92-01	Engine Brake Control
21	532 19 96-87	Screw, Hex Washer Head
22	592 93 00-01	Axle Shaft Assembly
23	532 42 88-67	Screw
24	532 16 98-23	Washer, Axle
25	532 19 74-80	O-Ring
26	581 01 03-05	Wheel, 12 x 1-3/4
27	532 40 91-49	Hex Flange Locknut 3/8-16
28	584 95 41-01	Drive Control Cable
29	501 92 86-01	Decal, Warning, C.E.
31	532 42 62-97	Bracket, Support, Axle Shaft
33	532 19 17-30	Nut, Hex
34	581 91 26-01	T-Knob
36	532 85 10-84	Screw, Hex Head 3/8-24 x 1
37	532 85 02-63	Washer, Lock
38	532 85 10-74	Washer, Flat, Hardened
41	532 44 83-36	Tube, Axle
--	114 07 03-20	Operator's Manual, European
--	114 07 03-10	Operator's Manual, Scandanivan
--	114 07 03-50	Operator's Manual, East Bloc
--	114 07 03-40	Operator's Manual, Baltic
--	114 07 03-53	Operator's Manual, Ukranian

**MCCULLOCH WEED TRIMMER - MODEL NUMBER MWT420
(MFG. ID. NUMBER 96171000307)**



MCCULLOCH WEED TRIMMER - MODEL NUMBER MWT420 (MFG. ID. NUMBER 96171000307)

KEY NO.	PART NO.	DESCRIPTION
1	581 70 83-82	Kit, Chassis Assembly
2	532 18 22-19	Bundle, Trimmer Line .155 diameter x 18.75 long
3	532 17 37-15	Screw, Self-Tapping 5/16-18 x 1
4	532 18 54-76	V-Belt
5	586 90 91-02	Bracket, Idler
6	532 16 60-42	Pulley, Idler, V-Groove
7	532 17 37-16	Bolt, Hex Head 3/8-16 x 1.25
8	873 93 06-00	Locknut, Hex 3/8-16
9	532 16 60-43	Pulley, Idler, Flat
10	532 16 08-29	Bolt, Shoulder
11	873 93 05-00	Locknut, Hex 5/16-18
12	532 17 37-17	Spacer
13	532 17 47-19	Bolt, Shoulder
14	532 40 91-49	Locknut, Flange
15	532 17 38-11	Spring, Return
16	584 95 32-01	Deflector, Bottom
17	817 06 04-10	Screw 1/4-20 x 1/2
18	532 17 88-48	Screw #10-24 x 3/4
19	586 91 66-02	Belt Keeper
20	581 81 93-01	Cover, Chassis, Top
21	532 14 97-46	Screw #10-24 x 1-3/4
22	873 61 06-00	Nut, Hex 3/8-24 UNF
23	532 85 02-63	Washer, Lock 3/8
24	819 12 12-14	Washer, Flat 3/8
25	532 18 03-40	Pulley, Driven
26	532 17 25-51	Spacer, Pulley
27	532 17 45-49	Bearing
28	532 17 25-20	Jackshaft
29	532 18 67-52	Cover, Chassis, Bottom
30	532 17 45-43	Spindle Housing Assembly (* Includes Upper Bearing, Key No. 27)
31	532 17 45-81	Ring, Retaining, External, 17mm
32	532 17 39-73	Spring, Locking Plate
33	532 17 25-19	Locking Plate
34	594 93 50-03	Carrier Plate Assembly
35	532 18 22-17	Mow Ball Assembly (Includes Key Numbers 27, 37 and 38)
36	532 17 25-16	Cover, Bearing
37	532 17 45-80	Ring, Retaining, Internal, 40mm
38	532 17 25-23	Mow Ball
39	532 18 03-34	Bolt, Mow Ball
40	594 93 51-03	Spindle Assembly, Complete (Includes Key No. 22-28 and 30-39)
41	532 17 40-29	Spacer
43	532 17 40-42	Decal, Instruction
44	532 18 74-58	Decal, Warning, Cut Finger
45	532 18 67-53	Belt Keeper, Bottom
46	817 06 04-08	Screw, Self-Tapping
47	532 18 22-05	Decal, Instruction
48	589 64 35-01	Decal, Noise Level