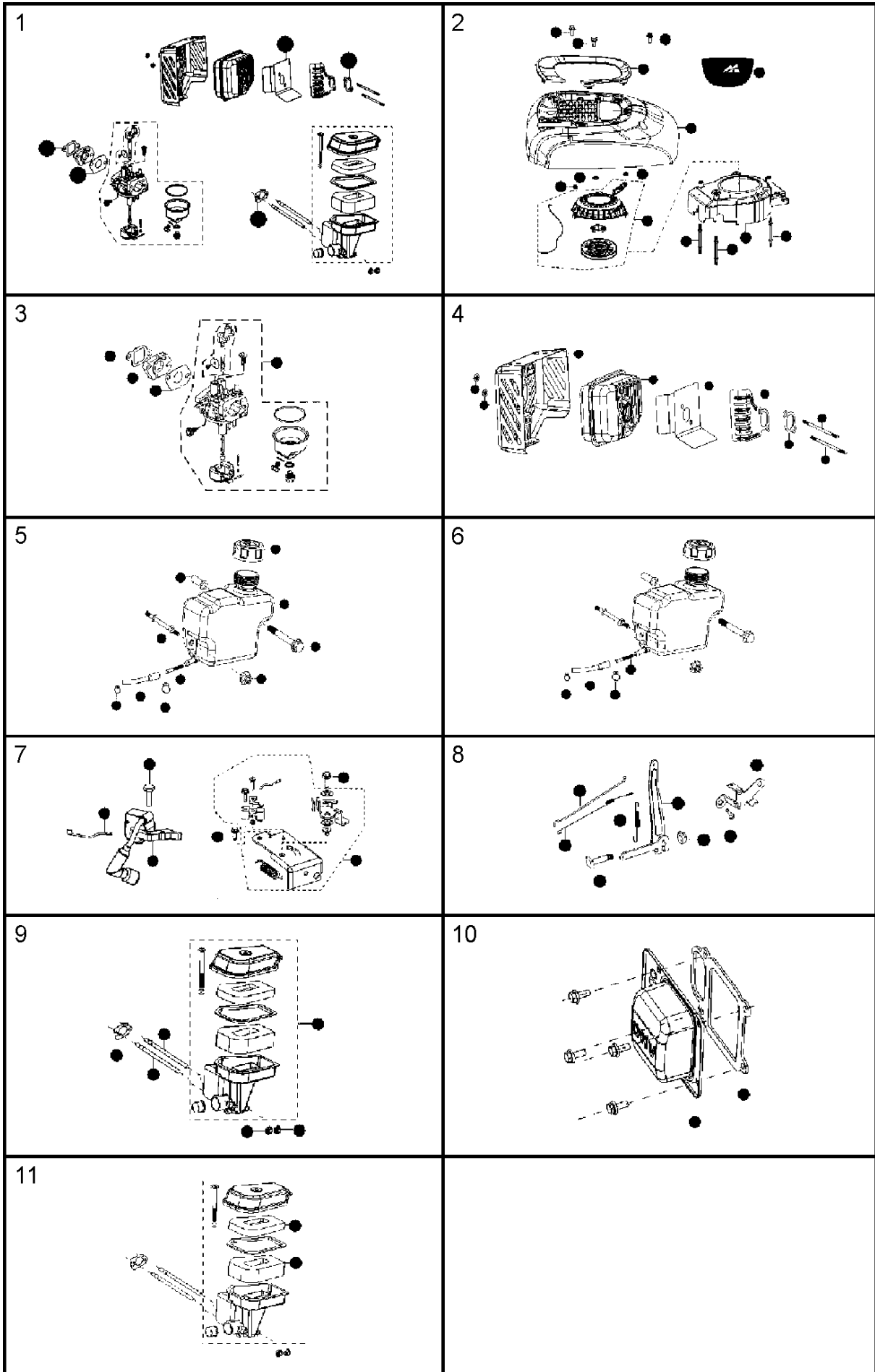




SPARE PARTS LIST

LAWN MOWERS: CONSUMER
WALK-BEHINDS

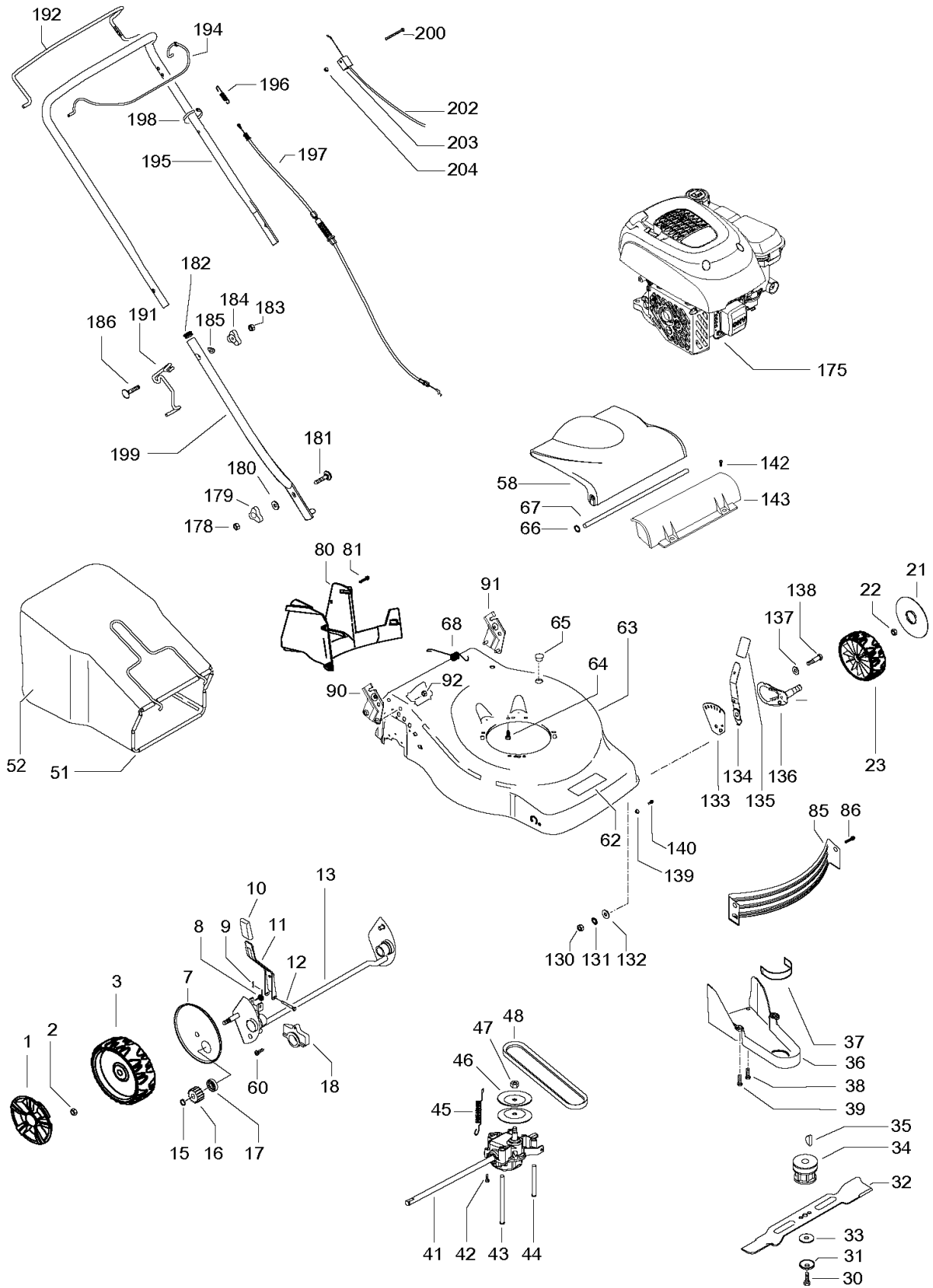
M46-110RB CLASSIC, 96794270100,
2018-05



ENGINE

M46-110RB CLASSIC, 96794270100, 2018-05

| Ref | Part No | Description | Remark | QTY KIT |
|-----|--------------|-------------------|--------|---------|
| 1 | 579 82 02-02 | GASKET KIT | | 1 |
| 2 | 579 82 02-03 | SHROUD KIT | | 1 |
| 3 | 579 82 02-04 | CARBURETTOR KIT | | 1 |
| 4 | 579 82 02-05 | MUFFLER KIT | | 1 |
| 5 | 579 82 02-06 | FUEL TANK KIT | | 1 |
| 6 | 579 82 02-07 | FUEL FILTER KIT | | 1 |
| 7 | 579 82 02-08 | IGNITION KIT | | 1 |
| 8 | 579 82 02-09 | GOVERNOR KIT | | 1 |
| 9 | 579 82 02-10 | AIR INTAKE KIT | | 1 |
| 10 | 579 82 02-11 | CYLINDER HEAD KIT | | 1 |
| 11 | 579 82 02-13 | AIR FILTER | | 1 |
| - | 579 82 02-12 | DIPSTICK | | 1 |
| - | 579 82 02-14 | FUEL CAP | | 1 |



PRODUCT COMPLETE

M46-110RB CLASSIC, 96794270100, 2018-05

| Ref | Part No | Description | Remark | QTY KIT |
|-----|--------------|---------------------|---------------------------|---------|
| 1 | 574 39 65-01 | HUB CAP | d.210 | 2 |
| 2 | 504 85 78-01 | NUT | M8, self locking, flanged | 2 |
| 3 | 574 41 52-04 | WHEEL | d.210 | 2 |
| 7 | 504 82 73-01 | DUST COVER | | 2 |
| 8 | 583 95 13-02 | SPRING | | 1 |
| 9 | 531 20 74-08 | PIN RETAINING SCREW | | 1 |
| 10 | 574 61 05-01 | KNOB | | 1 |
| 11 | 582 75 93-01 | LEVER ASSY | | 1 |
| 12 | 587 19 82-01 | PEN | | 1 |
| 13 | 504 80 01-01 | REAR AXLE | | 1 |
| 15 | 531 20 87-72 | WASHER | | 2 |
| 16 | 582 70 17-01 | PINION | | 2 |
| 17 | 531 20 87-78 | BEARING | | 2 |
| 18 | 531 20 59-44 | SUPPORT | | 2 |
| 21 | 574 39 64-01 | HUB CAP | d.190 | 2 |
| 22 | 504 85 78-01 | NUT | M8, self locking, flanged | 2 |
| 23 | 574 41 50-04 | WHEEL | d.190 | 2 |
| 30 | 531 20 80-08 | SCREW | 3/8" | 1 |
| 31 | 531 20 72-37 | WASHER | | 1 |
| 32 | 581 18 89-10 | MOWER BLADE | | 1 |
| 33 | 531 20 72-43 | WASHER | | 1 |
| 34 | 581 84 30-01 | BLADE SUPPORT | | 1 |
| 35 | 505 29 09-01 | KEY | | 1 |
| 36 | 589 02 31-01 | GUARD | | 1 |
| 37 | 501 18 90-02 | BELT GUIDE | | 1 |
| 38 | 817 41 13-12 | SCREW | | 1 |
| 39 | 531 20 78-56 | SCREW | 5x10 | 2 |
| 41 | 544 34 32-03 | GEARBOX | | 1 |
| 42 | 510 03 75-01 | SCREW | 4x16, self threading | 2 |
| 43 | 544 93 44-01 | BELT GUIDE | | 1 |
| 44 | 544 93 43-01 | BELT GUIDE | | 1 |
| 45 | 544 93 47-01 | SPRING | | 1 |
| 46 | 504 54 79-01 | PULLEY | | 2 |
| 47 | 504 54 80-01 | NUT | | 1 |
| 48 | 504 03 48-01 | BELT | Z28 10X710 | 1 |
| 51 | 531 21 34-67 | FRAME | | 1 |
| 52 | 579 81 63-01 | COLLECTOR | | 1 |
| 58 | 574 61 02-01 | HATCH | | 1 |
| 60 | 531 20 66-77 | SCREW | | 2 |
| 62 | 581 02 17-01 | DECAL | McCulloch | 1 |
| 63 | 582 89 04-02 | CHASSIS | | 1 |
| 64 | 532 15 04-06 | BOLT | 3/8" | 3 |
| 65 | 531 20 53-18 | PLUG | | 1 |
| 66 | 584 81 69-03 | LOCKWASHER | | 2 |
| 67 | 531 20 50-60 | SHAFT | | 1 |
| 68 | 531 20 59-99 | SPRING | | 1 |
| 80 | 589 02 30-01 | BAFFLE | | 1 |
| 81 | 589 81 44-01 | SCREW | | 5 |
| 85 | 589 00 87-01 | BAFFLE | | 1 |
| 86 | 817 00 05-10 | BOLT | | 2 |
| 90 | 582 74 98-02 | HANDLE BRACKET | right | 1 |
| 91 | 582 74 67-02 | HANDLE BRACKET | left | 1 |
| 92 | 582 75 89-01 | HEXAGON NUT FLANGE | M8 | 4 |
| 130 | 531 20 79-78 | NUT | M10 | 2 |
| 131 | 531 20 89-74 | WASHER | | 2 |
| 132 | 531 20 79-89 | WASHER | | 2 |
| 133 | 589 35 28-02 | INDEX PLATE | | 2 |
| 134 | 544 45 25-01 | LEVER | | 2 |
| 135 | 574 61 05-01 | KNOB | | 2 |
| 136 | 589 35 41-02 | FRONT AXLE ASSY | | 2 |
| 137 | 588 23 42-01 | WASHER | | 2 |
| 138 | 531 20 49-12 | SCREW | M10 | 2 |
| 139 | 531 20 52-13 | NUT | M5 | 2 |
| 140 | 531 20 72-70 | SCREW | M5 | 2 |

PRODUCT COMPLETE

M46-110RB CLASSIC, 96794270100, 2018-05

| Ref | Part No | Description | Remark | QTY KIT |
|-----|--------------|---------------------|------------|---------|
| 142 | 576 13 60-06 | SCREW | | 2 |
| 143 | 579 30 09-01 | SEAL | | 1 |
| 175 | 579 82 02-01 | ENGINE ASSY | | 1 |
| 178 | 531 20 79-82 | NUT | M8 | 2 |
| 179 | 531 20 49-23 | WING NUT | | 2 |
| 180 | 531 20 49-22 | WASHER | | 2 |
| 181 | 531 20 49-21 | SCREW | M8x25 | 2 |
| 182 | 531 20 89-50 | PLUG | | 2 |
| 183 | 531 20 79-82 | NUT | M8 | 2 |
| 184 | 531 20 49-23 | WING NUT | | 2 |
| 185 | 531 20 70-90 | WASHER | | 2 |
| 186 | 531 20 70-89 | SCREW | M8x50 | 2 |
| 191 | 504 70 86-01 | HOOK | | 1 |
| 192 | 504 70 84-01 | HANDLE | | 1 |
| 194 | 504 70 83-04 | HANDLE | | 1 |
| 195 | 504 70 80-01 | HANDLE | upper half | 1 |
| 196 | 580 76 19-01 | SPRING | | 1 |
| 197 | 544 90 80-01 | CABLE | | 1 |
| 198 | 531 20 55-81 | CLIP | | 2 |
| 199 | 531 20 60-71 | HANDLE | lower half | 2 |
| 200 | 580 83 36-01 | SCREW EHHM | M5x40 | 1 |
| 202 | 582 19 21-02 | CABLE ASSY | | 1 |
| 203 | 531 21 26-89 | CASING | | 1 |
| 204 | 581 55 12-01 | HEXAGON LOCKING NUT | | 1 |