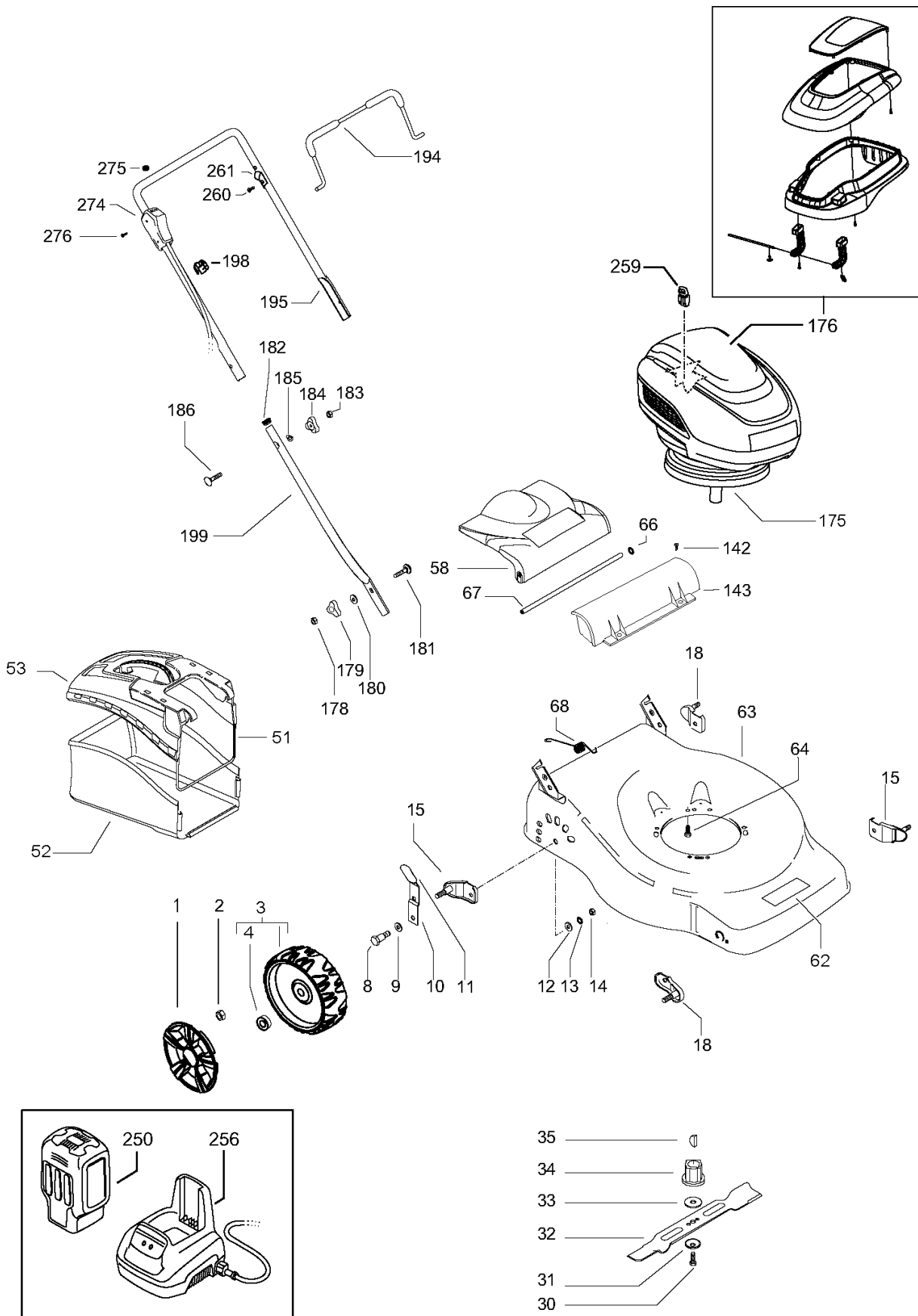




SPARE PARTS LIST

LAWN MOWERS: CONSUMER
WALK-BEHINDS

Li58-52 M40, 96791070100, 2019-02



PRODUCT COMPLETE

Li58-52 M40, 96791070100, 2019-02

Ref	Part No	Description	Remark	QTY	KIT
1	574 39 63-01	HUB CAP	d.170	4	
2	504 85 78-01	NUT		4	
3	574 45 08-01	WHEEL ASSY	d.170	4	
4	531 20 87-78	BEARING		4	3
8	531 20 49-12	SCREW	M10x26.4	4	
9	588 23 42-02	WASHER		4	
10	586 93 28-01	LEVER		4	
11	574 61 05-01	KNOB		4	
12	531 20 79-89	WASHER		4	
13	531 20 89-74	WASHER		4	
14	531 20 79-78	NUT	M10x26.4	4	
15	504 85 16-01	SUPPORT WHEEL		2	
18	504 85 15-01	SUPPORT WHEEL		2	
30	531 20 80-08	SCREW	3/8"	1	
31	531 20 72-37	WASHER		1	
32	587 15 90-10	MOWER BLADE		1	
33	531 20 72-43	WASHER		1	
34	531 20 72-42	ADAPTER		1	
35	505 29 09-01	KEY		1	
51	574 86 94-01	FRAME		1	
52	574 86 96-02	GRASSBAG		1	
53	574 61 03-01	GRASSBAG		1	
58	574 61 02-01	HATCH		1	
62	581 02 17-01	DECAL	McCulloch	1	
63	521 89 96-43	DECK		1	
64	591 13 89-01	SCREW	3/8"	3	
66	584 81 69-03	LOCKWASHER		2	
67	531 20 50-60	SHAFT		1	
68	531 20 59-99	SPRING		1	
142	576 13 60-06	SCREW	M5x8	2	
143	579 30 09-01	SEAL		1	
175	590 91 75-12	MOTOR ASSY		1	
176	593915202	TBD	motor	1	175
178	531 20 79-82	NUT	M8	2	
179	531 20 49-23	WING NUT		2	
180	531 20 49-22	WASHER		2	
181	531 20 49-21	SCREW	M8x25	2	
182	531 20 89-50	PLUG		2	
183	531 20 79-82	NUT	M8	2	
184	531 20 49-23	WING NUT		2	
185	531 20 70-90	WASHER		2	
186	531 20 70-89	SCREW	M8x50	2	
194	593 88 53-01	BAIL ARM ASSY		1	
195	594 08 44-02	HANDLE	upper half	1	
198	593 12 96-01	CABLE HOLDER		2	
199	531 20 60-71	HANDLE	lower half	2	
250	590 92 38-03	BATTERY		1	
256	590915118	TBD		1	
259	596 01 81-02	KEY		1	
260	532 17 88-48	SCREW		1	
261	532 12 51-62	PLATE		1	
274	593 85 21-02	SWITCHBOX ASSY	McCulloch switch	1	175
275	592 80 45-01	RING		1	274
276	593 01 34-01	SCREW		2	