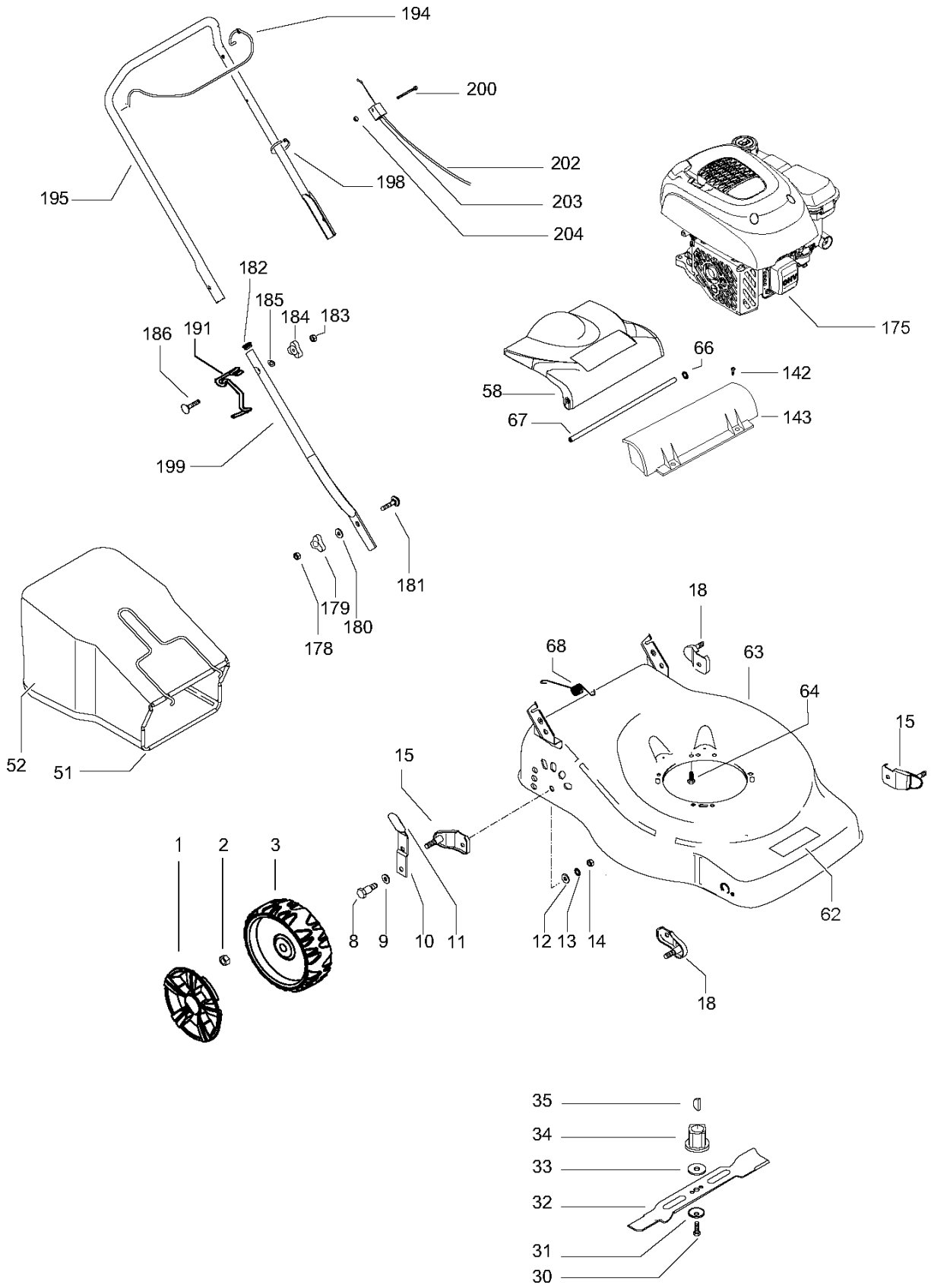




SPARE PARTS LIST

LAWN MOWERS: CONSUMER
WALK-BEHINDS

M40-120 CLASSIC, 96768260101,
2019-01



PRODUCT COMPLETE

M40-120 CLASSIC, 96768260101, 2019-01

Ref	Part No	Description	Remark	QTY KIT
1	574 39 63-01	HUB CAP	d.170	4
2	504 85 78-01	NUT		4
3	574 41 49-04	WHEEL	d.170	4
8	531 20 49-12	SCREW	M10x26.4	4
9	588 23 42-02	WASHER		4
10	586 93 28-01	LEVER		4
11	574 61 05-01	KNOB		4
12	531 20 79-89	WASHER		4
13	531 20 89-74	WASHER		4
14	531 20 79-78	NUT	M10x26.4	4
15	504 85 16-01	SUPPORT WHEEL		2
18	504 85 15-01	SUPPORT WHEEL		2
30	531 20 80-08	SCREW	3/8"	1
31	531 20 72-37	WASHER		1
32	587 15 90-10	MOWER BLADE		1
33	531 20 72-43	WASHER		1
34	531 20 72-42	ADAPTER		1
35	505 29 09-01	KEY		1
51	582 51 82-01	BAG FRAME		1
52	583 79 83-03	GRASS BAG ASSY		1
58	574 61 02-01	HATCH		1
62	581 02 17-01	DECAL	McCulloch	1
63	521 89 96-43	DECK		1
64	532 15 04-06	BOLT	3/8"	3
66	584 81 69-03	LOCKWASHER		2
67	531 20 50-60	SHAFT		1
68	531 20 59-99	SPRING		1
142	576 13 60-06	SCREW	M5x8	2
143	579 30 09-01	SEAL		1
175	591205509	TBD		1
178	531 20 79-82	NUT	M8	2
179	531 20 49-23	WING NUT		2
180	531 20 49-22	WASHER		2
181	531 20 49-21	SCREW	M8x25	2
182	531 20 89-50	PLUG		2
183	531 20 79-82	NUT	M8	2
184	531 20 49-23	WING NUT		2
185	531 20 70-90	WASHER		2
186	531 20 70-89	SCREW	M8x50	2
191	504 70 86-01	HOOK		1
194	504 70 83-04	HANDLE		1
195	504 70 80-01	HANDLE	upper half	1
198	531 20 55-81	CLIP		2
199	531 20 60-71	HANDLE	lower half	2
200	580 83 36-01	SCREW EHHM		1
202	582 19 21-02	CABLE ASSY		1
203	531 20 80-43	BRACKET		1
204	581 55 12-01	HEXAGON LOCKING NUT		1