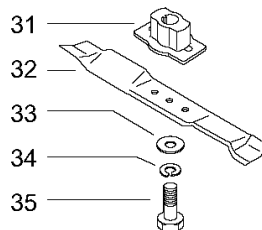
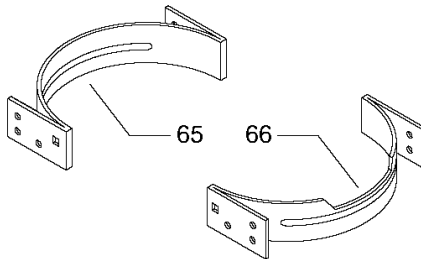
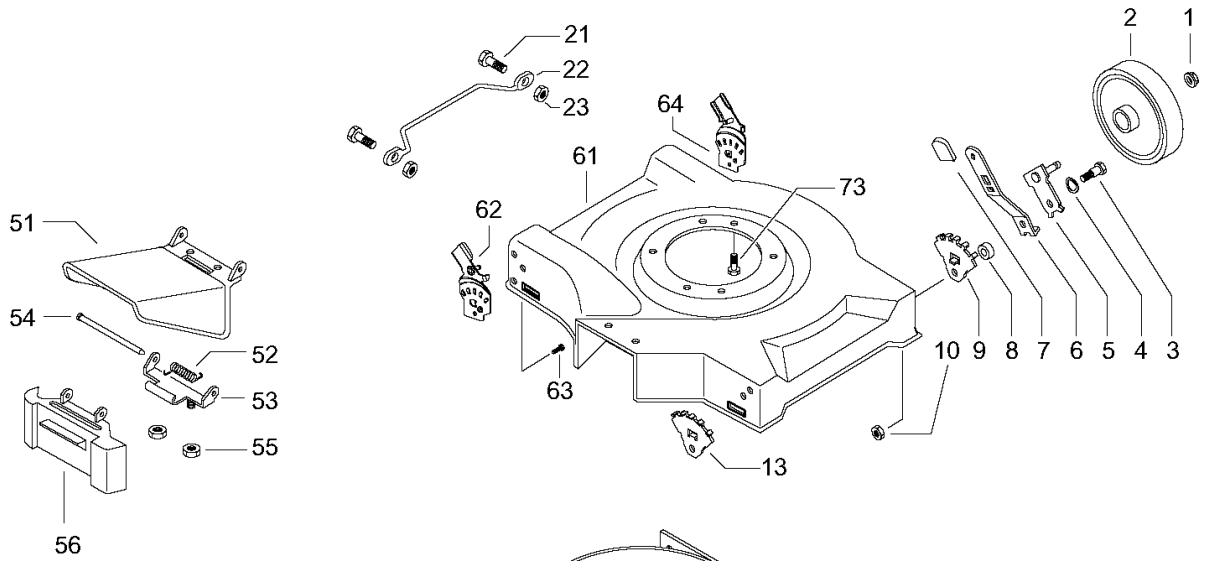
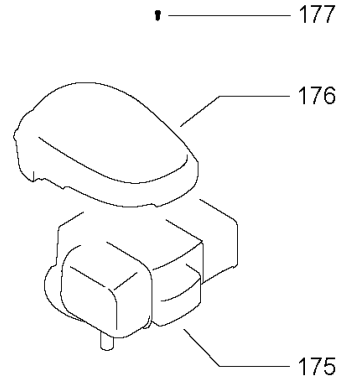
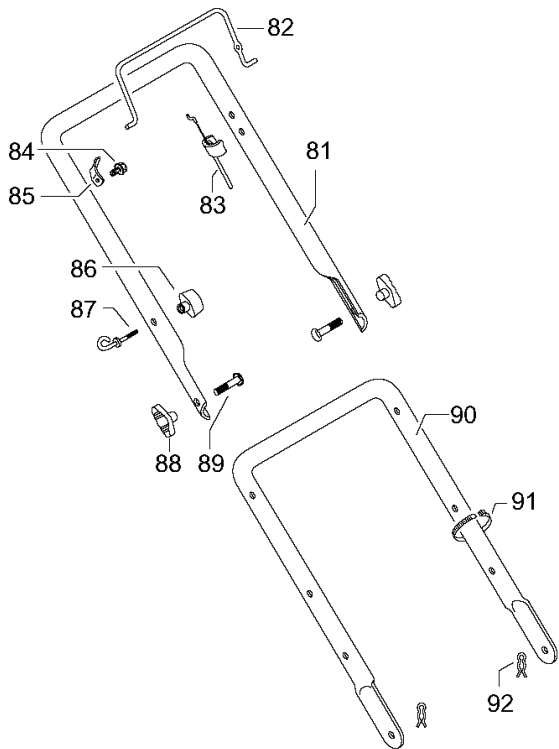




SPARE PARTS LIST

LAWN MOWERS: CONSUMER
WALK-BEHINDS

M51-125M, 96111003606, 2019-03



PRODUCT COMPLETE

M51-125M, 96111003606, 2019-03

| Ref | Part No | Description | Remark | QTY KIT |
|-----|--------------|--------------------------|--|---------|
| 1 | 532 40 91-48 | NUT | | 4 |
| 2 | 581 00 94-12 | WHEEL ASSY | d.200 | 4 |
| 3 | 532 40 16-38 | BOLT | | 4 |
| 4 | 532 40 16-30 | WASHER | | 4 |
| 5 | 588 62 71-02 | ARM | | 4 |
| 6 | 587 85 78-02 | SPRING | | 4 |
| 7 | 532 08 78-77 | KNOB | | 4 |
| 8 | 532 40 16-29 | SPACER | | 4 |
| 9 | 532 41 44-41 | BRACKET | left | 1 |
| 10 | 532 75 11-53 | LOCKNUT 5/16-18 RL550HVA | | 4 |
| 13 | 532 41 44-40 | BRACKET | right | 1 |
| 21 | 871 19 10-12 | SCREW | | 2 |
| 22 | 532 43 19-95 | GUARD | | 1 |
| 23 | 532 06 91-80 | NUT | | 2 |
| 31 | 581 54 79-01 | ADAPTER | | 1 |
| 32 | 532 14 51-06 | BLADE | | 1 |
| 33 | 532 85 10-74 | WASHER | | 1 |
| 34 | 532 85 02-63 | WASHER | | 1 |
| 35 | 532 85 10-84 | SCREW | | 1 |
| 51 | 596 21 52-01 | CHUTE | | 1 |
| 52 | 532 41 18-32 | SPRING | | 1 |
| 53 | 532 08 86-02 | DEFLECTOR | | 1 |
| 54 | 532 15 02-15 | SHAFT | | 1 |
| 55 | 873 80 04-00 | NUT | | 2 |
| 56 | 532 41 24-00 | PLUG | | 1 |
| 61 | 587 57 20-04 | HOUSING | | 1 |
| 62 | 587 33 27-02 | BRACKET | right | 1 |
| 63 | 817 49 04-08 | SCREW | | 2 |
| 64 | 587 33 28-02 | BRACKET | left | 1 |
| 65 | 587 99 14-01 | BAFFLE | | 1 |
| 66 | 588 54 88-01 | BAFFLE | | 1 |
| 73 | 532 15 04-06 | BOLT | 3/8" | 3 |
| 81 | 582 76 59-02 | HANDLE | upper | 1 |
| 82 | 532 44 73-65 | BAIL | | 1 |
| 83 | 532 44 09-34 | CABLE | | 1 |
| 84 | 532 17 88-48 | SCREW | | 1 |
| 85 | 532 43 00-34 | BRACKET | | 1 |
| 86 | 581 91 26-01 | KNOB | | 1 |
| 87 | 581 90 21-01 | GUIDE | | 1 |
| 88 | 532 19 19-38 | KNOB | | 2 |
| 89 | 588 04 04-01 | BOLT | | 2 |
| 90 | 582 73 39-02 | HANDLE | lower | 1 |
| 91 | 531 20 55-81 | CLIP | | 1 |
| 92 | 532 05 17-93 | PIN RETAINING SCREW | | 2 |
| 175 | N/A | TBD | engine, Briggs & Stratton, model number 08P5020005H5 | 1 |
| 176 | 580 44 56-01 | SHROUD | | 1 |
| 177 | 532 18 16-98 | SCREW | | 3 |