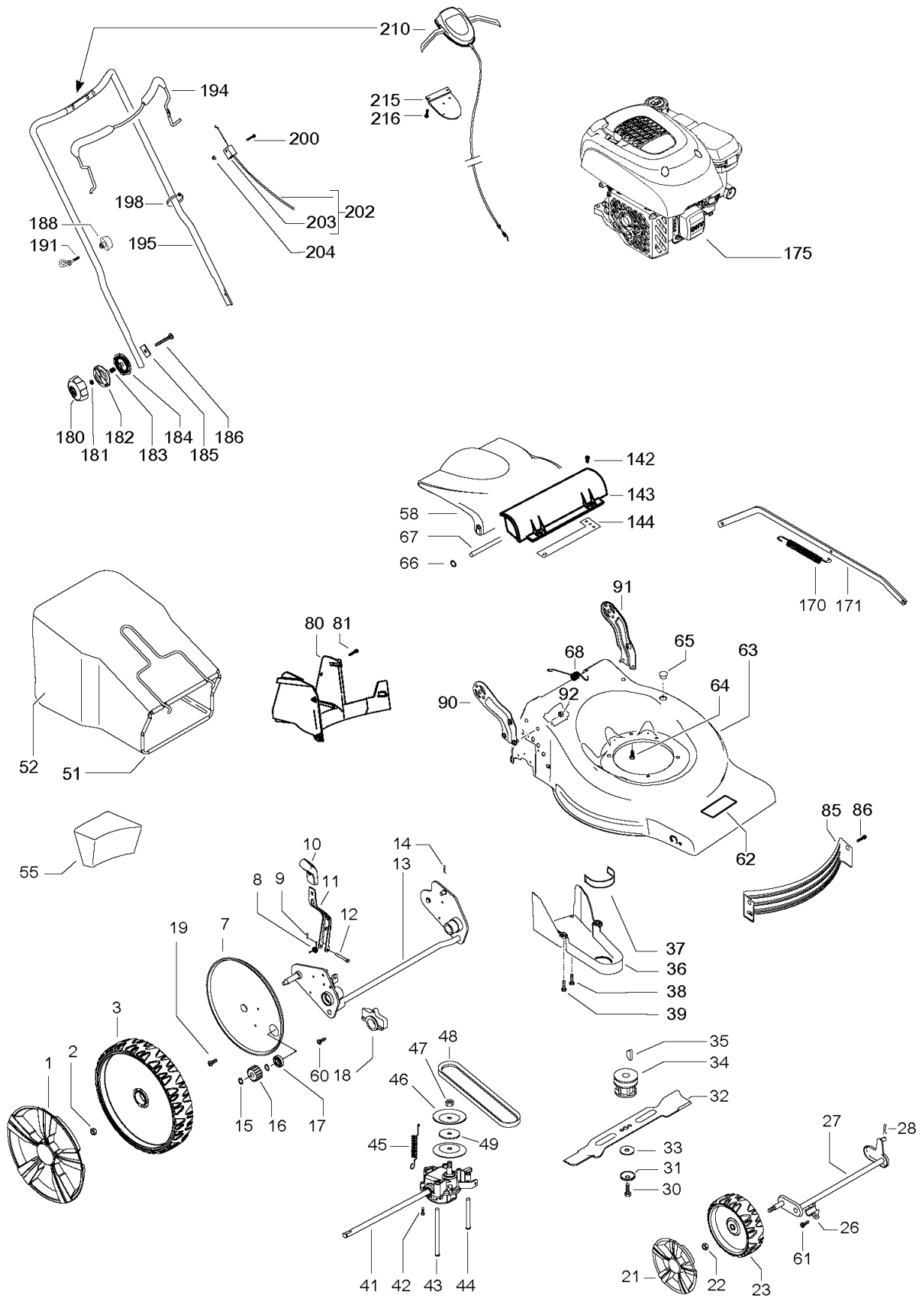




SPARE PARTS LIST

LAWN MOWERS: CONSUMER
WALK-BEHINDS

M53-150AWR Classic, 96794310100,
2019-03



PRODUCT COMPLETE

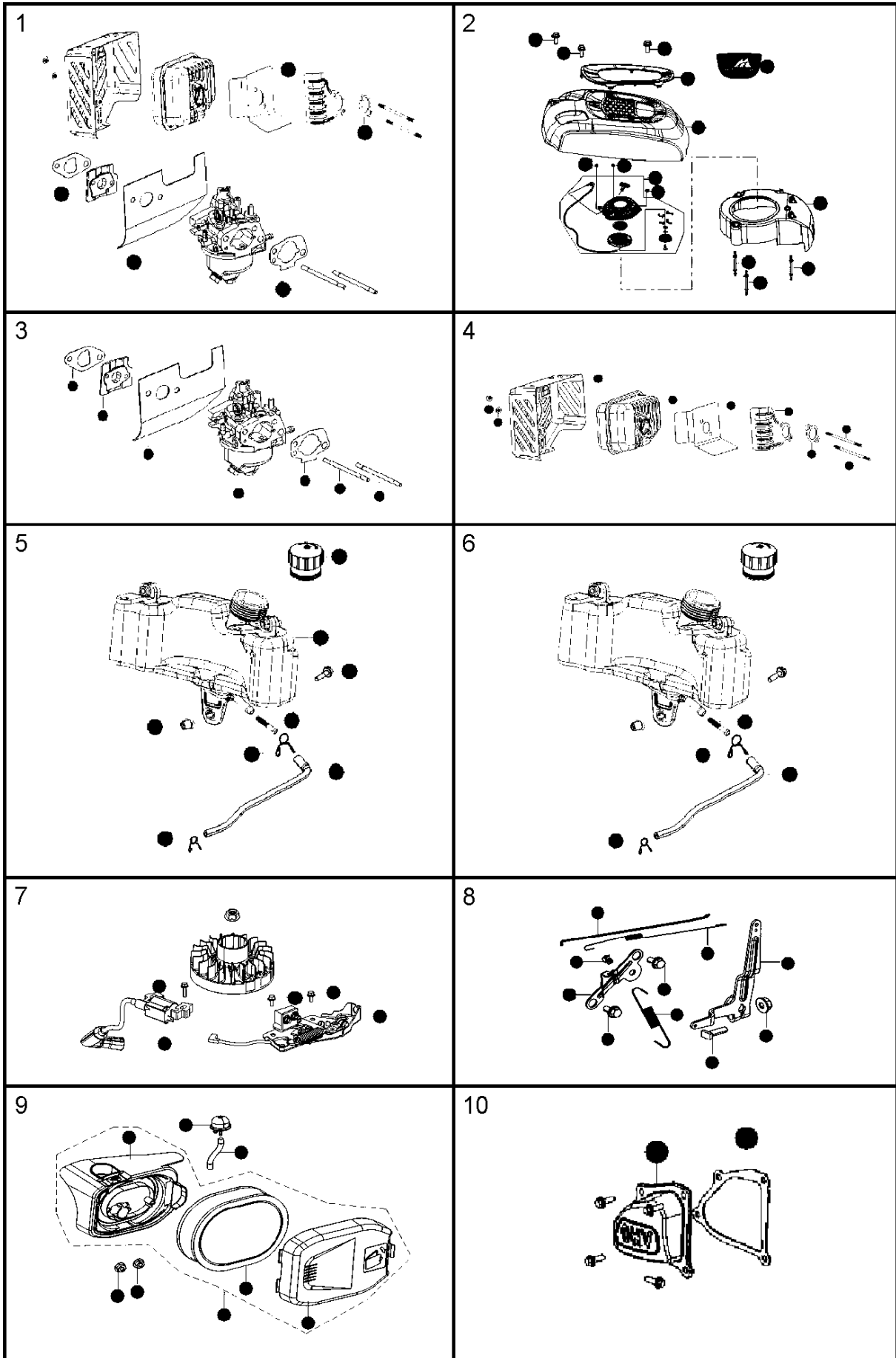
M53-150AWR Classic, 96794310100, 2019-03

Ref	Part No	Description	Remark	QTY KIT
1	574 39 66-01	HUB CAP	d.280	2
2	504 85 78-01	NUT	M8, self locking, flanged	2
3	574 41 53-04	WHEEL	d.280	2
7	504 53 99-01	HUB CAP	d.280	2
8	583 95 13-02	SPRING		1
9	531 20 74-08	PIN RETAINING SCREW		1
10	580 46 24-01	KNOB		1
11	582 75 93-01	LEVER ASSY		1
12	587 19 82-01	PIN		1
13	581 73 35-01	REAR AXLE		1
14	531 20 66-53	PIN		1
15	531 20 87-72	WASHER		4
16	582 70 17-01	PINION		2
17	531 20 87-78	BEARING		2
18	531 20 59-44	SUPPORT		2
19	531 20 78-56	SCREW	M5x10	4
21	574 39 64-01	HUB CAP	d.190	2
22	504 85 78-01	NUT	M8, self locking, flanged	2
23	574 41 50-04	WHEEL	d.190	2
26	577 38 42-01	SUPPORT		2
27	573 97 60-01	FRONT AXLE		1
28	531 20 66-53	PIN		1
30	531 20 80-08	SCREW	3/8"	1
31	531 20 72-37	WASHER		1
32	581 18 86-10	MOWER BLADE		1
33	531 20 72-43	WASHER		1
34	581 84 30-01	BLADE SUPPORT		1
35	505 29 09-01	KEY		1
36	502 09 37-01	BELT GUARD		1
37	501 18 90-02	BELT GUIDE		1
38	817 41 13-12	SCREW		1
39	531 20 78-56	SCREW	5x10	2
41	577 11 74-01	GEARBOX		1
42	510 03 75-01	SCREW	4x16, self threading	2
43	577 92 85-01	BELT GUIDE		1
44	544 93 43-01	BELT GUIDE		1
45	544 93 47-01	SPRING		1
46	504 54 79-01	PULLEY		2
47	504 54 80-01	NUT		1
48	531 21 31-31	BELT	Z31 10X775	1
49	538 23 52-87	WASHER		1
51	531 21 32-62	BAG FRAME		1
52	589 46 26-01	GRASSBAG		1
55	579 67 94-01	PLUG		1
58	544 25 55-01	HATCH		1
60	531 20 66-77	SCREW	4.8x19, self threading	2
61	525 43 31-01	SCREW	4x16, self threading	4
62	581 02 17-01	DECAL	McCulloch	1
63	589 46 23-02	CHASSIS		1
64	532 15 04-06	BOLT	3/8"	3
65	597 01 75-01	PLUG		1
66	584 81 69-03	LOCKWASHER		2
67	584 22 56-01	AXLE		1
68	531 21 18-40	SPRING		1
80	502 09 42-01	INSERT		1
81	532 19 41-89	SCREW		6
85	502 09 33-01	BAFFLE		1
86	817 00 05-10	BOLT		2
90	582 75 14-02	HANDLE BRACKET	right	1
91	582 75 12-02	HANDLE BRACKET	left	1
92	596 72 80-01	NUT	M8	4
142	576 04 74-01	SCREW CRPANT	M5x16	4
143	579 30 09-01	SEAL		1
144	590 08 32-02	BRACKET		1

PRODUCT COMPLETE

M53-150AWR Classic, 96794310100, 2019-03

Ref	Part No	Description	Remark	QTY KIT
170	583 96 87-01	SPRING		1
171	581 59 07-01	ROD		1
175	579 82 90-01	ENGINE ASSY		1
180	580 42 43-01	KNOB		2
181	531 20 49-22	WASHER		2
182	531 21 14-74	SEGMENT	outer	2
183	531 21 14-76	SPRING		2
184	531 21 14-73	SEGMENT	inner	2
185	531 21 15-81	PLATE		2
186	581 25 95-01	SCREW RSQM	M8x55	2
188	581 91 26-01	KNOB		1
191	581 90 21-01	GUIDE		1
194	587 68 93-03	BAIL ARM ASSY		1
195	580 33 36-02	HANDLE		1
198	531 20 55-81	CLIP		2
200	580 83 36-01	SCREW EHHM		1
202	582 19 21-01	CABLE ASSY		1
203	531 20 80-43	BRACKET		1 202
204	581 55 12-01	HEXAGON LOCKING NUT		1
210	580 68 39-02	CONTROL		1
215	587 24 93-02	BACKPLATE		1
216	532 18 16-98	SCREW		4



ENGINE

M53-150AWR Classic, 96794310100, 2019-03

Ref	Part No	Description	Remark	QTY KIT
1	579 82 90-02	GASKET KIT		1
2	579 82 90-03	SHROUD KIT		1
3	579 82 90-04	CARBURETTOR KIT		1
4	579 82 90-05	MUFFLER KIT		1
5	579 82 90-06	FUEL TANK KIT		1
6	579 82 90-07	FUEL FILTER KIT		1
7	579 82 90-08	IGNITION KIT		1
8	579 82 90-09	GOVERNOR KIT		1
9	579 82 90-10	AIR INTAKE KIT		1
10	579 82 90-11	CYLINDER HEAD KIT		1
-	579 82 90-12	DIPSTICK		1
-	579 82 90-13	AIR FILTER		1
-	579 82 02-14	FUEL CAP		1