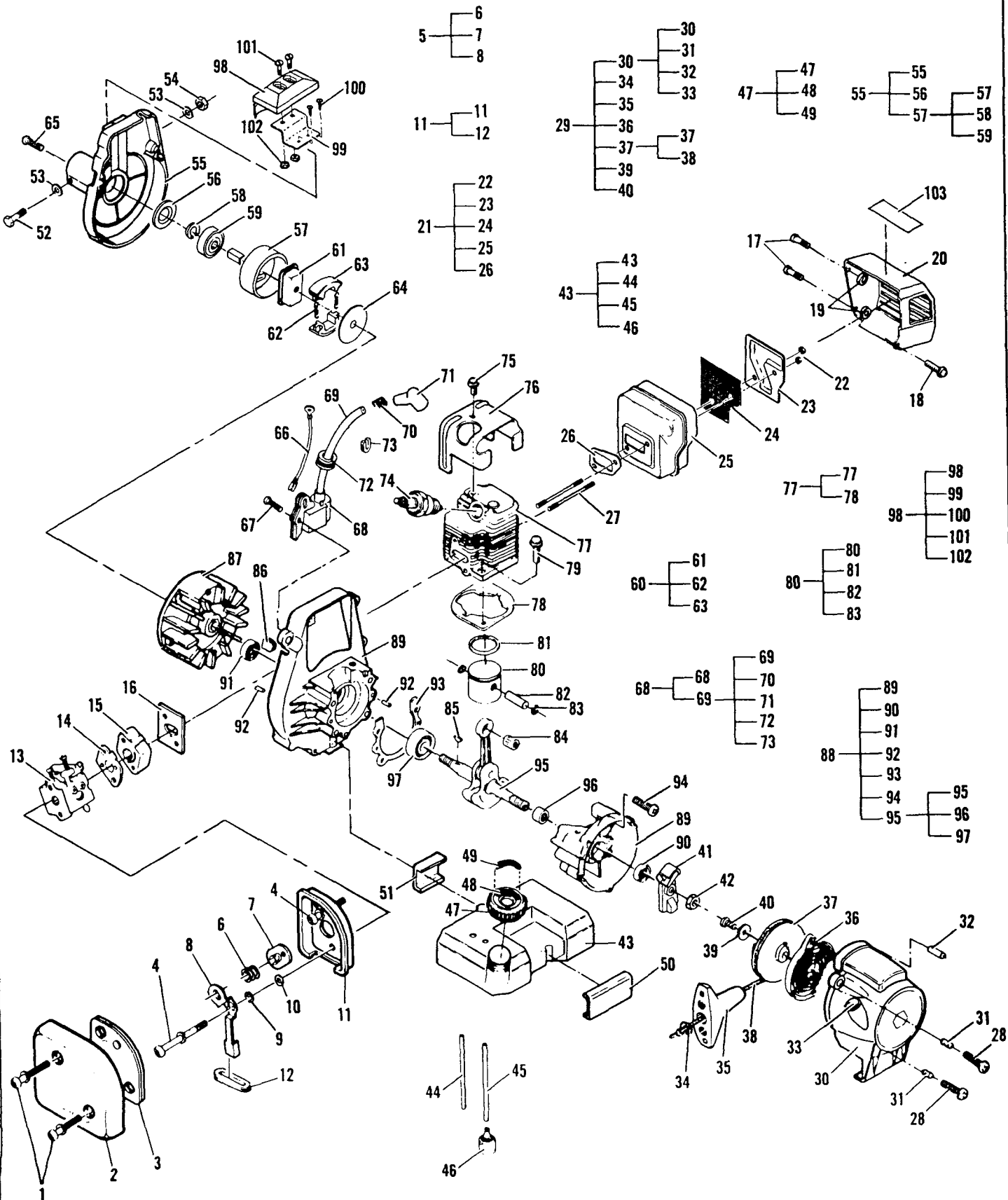


**FIGURE 1**

**ENGINE ASSEMBLY**



# ENGINE ASSEMBLY

# FIGURE 1

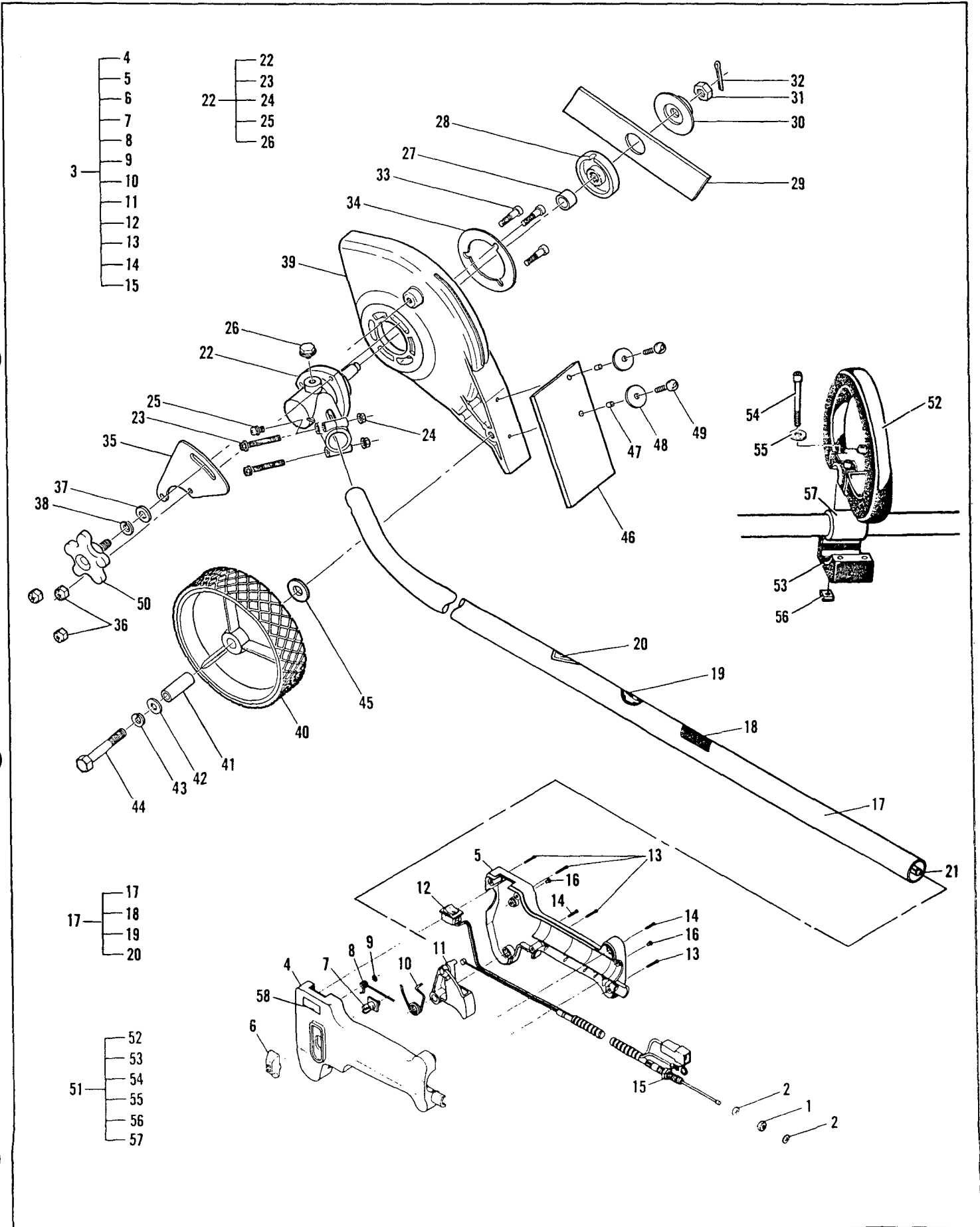
ITEM	STK. CODE	PART NUMBER	DESCRIPTION	UNITS PER ASY.
1	A	217669	Screw, PN M4 x 25 TORX S	2
2	A	215988	Cover, Air Cleaner	1
3	A	217376	Filter Assembly, Air	1
4	B	224326	Screw, PN M5 x 55 TORX SS	2
5	A	223730	Kit, Choke Assembly	1
6	C	219016	. Spring, Shutter	1
7		---	. Plate, Choke Shutter	1
8		---	. Shutter, Choke Lever	1
9	A	215993	Spacer	1
10	A	216591	Washer, Flat M5	1
11	A	216108	Air Box/Grommet Assembly	1
12	B	215992	. Grommet, Choke	1
13		FIGURE 3	CARBURETOR ASSEMBLY	
14	A	224148	Gasket, Carburetor	1
15	A	223984	Insulator, S/T	1
16	A	223986	Gasket, Shield Insulator	1
17	A	219508	Screw, PN M4 x 17 SEMS TORX	2
18	A	217669	Screw, PN M4 x 25 TORX S	1
19	A	219079	Spacer, Muffler Shield	2
	A	323525	Shield, Muffler	1
21	A	300629	Kit, Muffler, Universal	1
22	A	235642	. Nut, M5	2
23	C	322016	. Plate, Deflector	1
24	B	322018	. Screen, Spark Arrester	1
25	C	322011	. Muffler Assembly, Universal	1
26	A	215515	. Gasket, Muffler	1
27	A	222480	Stud, Muffler	2
28	A	216022	Screw, PN M4 x 23.4 TORX	2
29	C	301164	Starter Assembly	1
30	C	301163	. Housing, Starter Assembly	1
31	B	219585	.. Spacer, Starter Housing	2
32	B	219584	.. Spacer, Muffler Shield	1
33	A	218932	.. Guide, Rope	1
34	B	218941	. Washer, Nylon	1
35	A	216792	. Handle, Starter	1
36	A	300474	. Spring, Starter Rewind	1
37	B	301252	. Kit, Drum/Rope	1
38	A	216093	.. Rope, Starter 36"	1
39	A	216590	. Washer, Flat M4	1
	A	215874	. Screw, PN M4 x 9.5 TORX	1
41	B	225037	Starter Pawl Assembly	1
42	B	216583	Nut, Hex M8	1
43	A	222239	Tank Assembly, Fuel	1
44	A	222238	. Hose, Fuel Return	1
45	A	217264	. Hose, Fuel	1
46	A	216985	. Pickup, Fuel	1
47	A	300700	Kit, Fuel Cap/Decal	1
48	B	211242	. Decal (OPEN SLOWLY)	1
49	C	322250	. Decal, Fuel Cap	1
50	A	217390	Cushion, Fuel Tank	1
51	A	217382	Cushion, Fuel Tank	1
52	A	217158	Screw, Hex M5 x 35	1

ITEM NO.	STK. CODE	PART NUMBER	DESCRIPTION	UNITS PER ASY.
53	A	216591	Washer, Flat M5	2
54	A	217159	Nut, Hex M5	1
55	C	224118	Housing, Fan 1"	1
56	C	215534	. Plate, Thrust	1
57	B	218065	. Drum, Clutch	1
58	A	213186	.. Ring, Retaining	1
59	A	213187	.. Bearing, Ball	1
60	A	217554	Clutch Assembly	1
61	B	215536	. Rotor	1
62	A	223770	. Spring	2
63		---	. Shoe	2
64	C	215539	Plate, Side	1
65	A	219508	Screw, PN M4 x 17 SEMS TORX	4
66	B	219383	Wire Assembly, Switch	1
67	A	216022	Screw, PN M4 x 23.4 TORX	2
68	A	219848-01	Ignition Assembly	1
69	A	223884	. Kit, Spark Plug Wire	1
70	A	102556	.. Connector, Spark	1
71	A	95266	.. Boot, Spark Plug	1
72	A	215533-01	.. Grommet, H/T Lead	1
73	A	110995	① .. Grommet, S/Plug Wire	1
74	A	322189	Spark Plug DJ7Y	1
75	A	213178	Screw, PN M5 x 8.5 SEMS T	1
76	B	215540-01	Cover, Cylinder	1
77	B	224448	Kit, Cylinder/Gasket	1
78	A	223925	. Gasket	1
79	B	217320	Screw, PN M6 x 18 TORX SE	2
80	C	301443	Kit, Piston-Alum, 21cc	1
81	A	223455	. Ring, Piston	1
82	A	218275	. Pin, Wrist	1
83	A	111026	. Ring, Snap	2
84	A	110984	Bearing, Needle	1
85	A	102164	Key, WDF #206	1
86	B	215541	Grommet	1
87	A	222308	Flywheel	1
88	C	301203	Kit, C'case/C'shaft/C'rod	1
89	C	301153	. Crankcase Assembly	1
90	A	83859	. Seal, C'shaft Oil	1
91	A	216500	. Seal	1
92	B	213191	. Pin	4
93	A	215545	. Gasket, C'case	1
94	A	216027	. Screw, PN M5 x 28.5 SEMS	4
95	C	301273	. Crankshaft/Ball Bearing Assembly	1
96	A	213282	.. Bearing, C'shaft	1
97	B	216143	.. Bearing, Ball	1
98	B	300653	Kit, Heat Shield	1
99		---	. Bracket	1
100	A	219194	. Screw, PN 5-20 x .438 ST	2
101	C	300296	. Screw, 10-24 x .5 PN HD TX	2
102	A	216682	. Nut, Hex Lock 10-24	2
103	C	224968	Label, Starting Instructions	1

① Not Used on This Model

**FIGURE 2**

**SHAFT/SHIELD/CUTTER ASSEMBLY**



# SHAFT/SHIELD/CUTTER ASSEMBLY

# FIGURE 2

ITEM NO.	STK. CODE	PART NUMBER	DESCRIPTION	UNITS PER ASY.
1	B	217403	Nut, Hex M6x1.0	1
2	B	216596	Washer, Flat M6	2
3	C	227280	Handle, Trigger/Wire Assembly	1
4	C	229837	Handle, Left Half	1
5	C	229836	Handle, Right Half	1
6	C	229824	Slide, Throttle Cable	1
7	C	229823	Pin	1
8	C	229973	Spring	1
9	C	227065	Ring	1
10	C	227058	Spring, Trigger	1
11	C	227064	Trigger	1
12	C	227067	Wire Assembly	1
13	B	229846	Screw, TC 2.9 x 22	4
14	C	227074	Screw, 2.9 x 16	2
15	B	235912	Nut	1
16	B	111012	Screw, PN 4-40 x 0.31 ST	2
17	C	301605	Housing Assembly, Outer	1
18	C	46750-65	Label, Caution	1
19	C	223407	Decal, Eye/Ear Cover	1
	C	223408	Label, Warning	1
21	B	301256	Drive Assembly w/Clip 60"	1
22	C	323396	Housing Assembly, Gear	1
23	B	216828	Bolt, Hex M5 x 40	2
24	A	217159	Nut, Hex M5	2
25	B	216795	Screw, Phl M5 x 12	1
26	B	216832	Bolt, Hex M8 x 8	1
27	A	322009-01	Sleeve, Spline	1
28	B	323363	Collar	1
29	B	301272	Blade, Edger	1

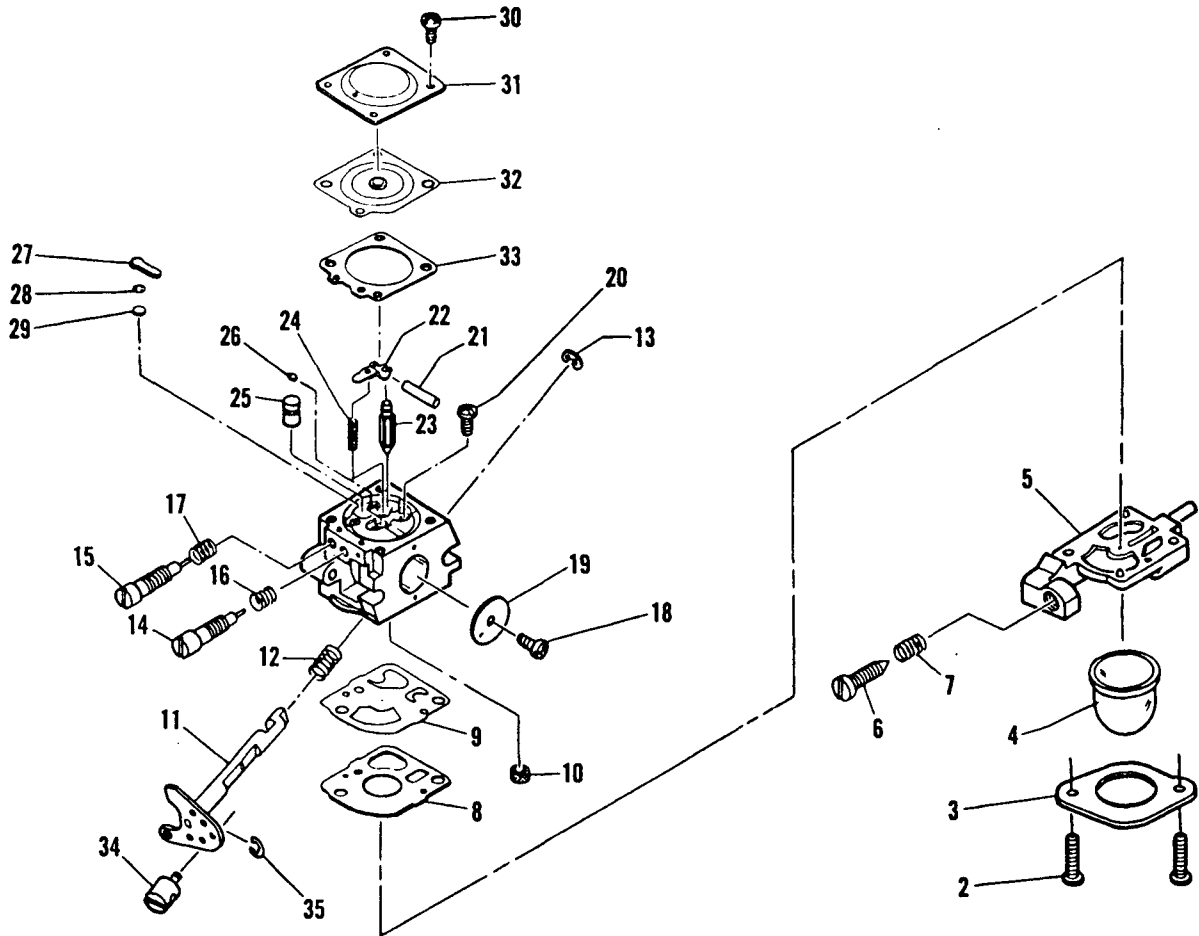
ITEM NO.	STK. CODE	PART NUMBER	DESCRIPTION	UNITS PER ASY.
30	A	218075	Flange, Spindle	1
31	A	216751	Nut, Hex M10 LH	1
32	A	218159	Pin, Cotter	1
33	C	111136	Bolt, Shoulder 10-24	3
34	C	323618	Plate, Backup-Edger	1
35	C	323527	Plate, Adjustment, Edger	1
36	C	111135	Nut, Hex Lock 10-24	3
37	C	110879	Washer, M8	1
38	C	111138	Washer, Lock, .312 ID x .586 OD	1
39	C	323547	Shield, Edger (Mach.)	1
40	C	323024	Wheel, 6"	1
41	C	323020	Sleeve, Wheel	1
42	C	110879	Washer, M8	1
43	C	111138	Washer, Lock, .312 ID x .586 OD	1
44	C	111140	Bolt, 5/16-18 x 2.5	1
45	C	111137	Washer, .512 ID x .814 OD	1
46	C	323022	Flap	1
47	A	219079	Spacer, Muffler Shield	2
48	A	216633	Washer, PL .210 ID	2
49	A	111054	Screw, 10-24 x .625	2
50	C	323021	Knob	1
51	B	224977	Kit, Loop Handle	1
52	C	227045	Loop, Handle (25mm)	1
53	C	227046	Clamp, Handle (25mm)	1
54	B	228320	Screw, M6 x 0.8 x 45	4
55	B	236936	Washer	4
56	B	236642	Nut	4
57	C	224127	Spacer, Handle	1
58	C	222831	Decal, ON/OFF	1

## TORQUE SPECIFICATIONS

DESCRIPTION	FASTENER P/N	FIG./ITEM NUMBER	TORQUE (In. lbs.)	LOCTITE
Air Box/Carburetor	224326	1/4	25-30	----
Muffler Nuts	235642	1/22	40-50	----
Muffler Studs	222480	1/27	40-50	Type 620
Quarter Nut	216583	1/42	150-170	----
Fan Housing	219508	1/65	20-25	Type 242
Ignition Module	216022	1/67	30-35	Type 242
Spark Plug	322189	1/74	110-120	----
Cylinder	217320	1/79	70-80	----
Crankcase Halves	216027	1/94	45-50	Type 242

# FIGURE 3

# CARBURETOR ASSEMBLY



ITEM NO.	STK. CODE	PART NUMBER	DESCRIPTION	UNITS PER ASY.
1	A	224142-03	Carburetor Assembly (WT238)	1
2	---	---	. Screw, Pump Cover	2
3	---	---	. Cover, Primer Pump	1
4	A	223077	. Bulb, Primer	1
5	J	223913	. Cover Assembly, Fuel Pump	1
6	---	---	. Screw, Idle Adjustment	1
7	---	---	. Spring, Idle Screw	1
8	---	①②	. Gasket, Fuel Pump	1
9	---	①②	. Diaphragm, Fuel Pump	1
10	---	①	. Screen, Fuel Pump Inlet	1
11	---	---	. Shaft Assembly, Throttle	1
12	---	①	. Spring, Throttle Return	1
13	---	---	. Ring, Shaft Retainer	1
14	---	①	. Needle, Idle	1
15	---	①	. Needle, High Speed	1
16	---	①	. Spring, Idle Needle	1
17	---	①	. Spring, High Speed Needle	1
18	---	①	. Screw, Valve	1

ITEM NO.	STK. CODE	PART NUMBER	DESCRIPTION	UNITS PER ASY.
19	---	---	. Valve, Throttle	1
20	---	①	. Screw, Metering Lever Pin	1
21	---	①	. Pin, Metering Lever	1
22	---	①	. Lever, Metering	1
23	---	①	. Valve, Inlet	1
24	---	①	. Spring, Metering Lever	1
25	---	---	. Seat Assembly, Check Valve	1
26	---	①	. Plug Welch 5/16	1
27	---	①	. Plug, Welch 1/4	1
28	---	①	. Ring, Screen Retainer	1
29	---	---	. Screen, Check Valve	1
30	---	①	. Screw, Metering Cover	4
31	---	---	. Cover, Metering Lever	1
32	---	①②	. Diaphragm Assembly, Metering	1
33	---	①②	. Gasket, Metering Diaphragm	1
34	---	③	. Swivel	1
35	---	---	. E-Ring	1

**NOTE:** Items are shown for identification and disassembly sequence purposes only. Components are not available separately unless a part number is listed before the part description.

- ① A 224462 Kit, Major Repair
- ② A 223833 Kit, Gasket/Diaphragm
- ③ B 224466 Kit, Swivel

## SPECIFICATIONS

ENGINE TYPE . . . . .	Air-cooled, Two Cycle, Single Cylinder
DISPLACEMENT . . . . .	21.2cc (1.29ci)
BORE . . . . .	1.268in. (32.21mm)
STROKE . . . . .	1.024 in. (26mm)
IGNITION . . . . .	Electronic
FLYWHEEL to IGNITION GAP . . . . .	0.012 in. (0.3mm)
SPARK PLUG GAP and TYPE . . . . .	0.025 in. (.63mm) Champion DJ7Y
FUEL TANK CAPACITY . . . . .	14.6 fl. oz. (562ml)
FUEL TYPE . . . . .	Unleaded - Regular Grade
FUEL TO OIL RATIO . . . . .	40:1
DRY WEIGHT . . . . .	13.4 lbs. (6.09kg)
CARBURETOR . . . . .	Diaphragm/Primer Type
STARTER CORD . . . . .	Nylon, Type 3.5, Length 36 in. (91cm)
BLADE LENGTH . . . . .	7 3/4 in. (19.7cm)
SHAFT LENGTH . . . . .	60 in. (152cm)

## SERVICE TOOLS

PART NUMBER	DESCRIPTION
215432	PRESSURE TEST TOOL
069191	PRESSURE TEST ADAPTOR KIT
091424	TACHOMETER
323330	IGNITION TESTER
217720	TORX WRENCHES KIT
222785	T-25 TORX DRIVE 3.5"
111124	T-27 TORX DRIVE 3.5"

## LOCTITE KIT

PART NUMBER	DESCRIPTION
322235	LOCTITE KIT
322236	. RETAINING COMPOUND 620 (10ml)
322237	. THREAD LOCKER 242 (10ml)
322238	. GASKET ELIMINATOR 518 (50ml)
322239	. BLACK MAX ADHESIVE 380 (28ml)

FOR PERFORMANCE AND SAFETY REASONS USE **ONLY** GENUINE  
McCULLOCH ACCESSORIES AND REPLACEMENT PARTS

**McCULLOCH®**



• **MANUFACTURING • SALES • SERVICE •**

P.O. Box 11990 • Tucson, AZ 85734

**FOR WARRANTY OR SERVICE  
CONTACT THE NEAREST  
McCULLOCH AUTHORIZED SERVICE  
CENTER  
LISTED UNDER "SAWS"  
IN YOUR TELEPHONE DIRECTORY  
YELLOW PAGES.**

**IF FURTHER ASSISTANCE IS REQUIRED**

**CALL THIS TOLL-FREE HOT LINE.**

**PLEASE REFERENCE YOUR MODEL AND SERIAL NUMBER.**

*IN U.S.A & CANADA:*

**1-800-423-6302**

*IN ARIZONA:*

**1-800-221-6507**

**M-F 6:00 AM - 4:30 PM (MST)**