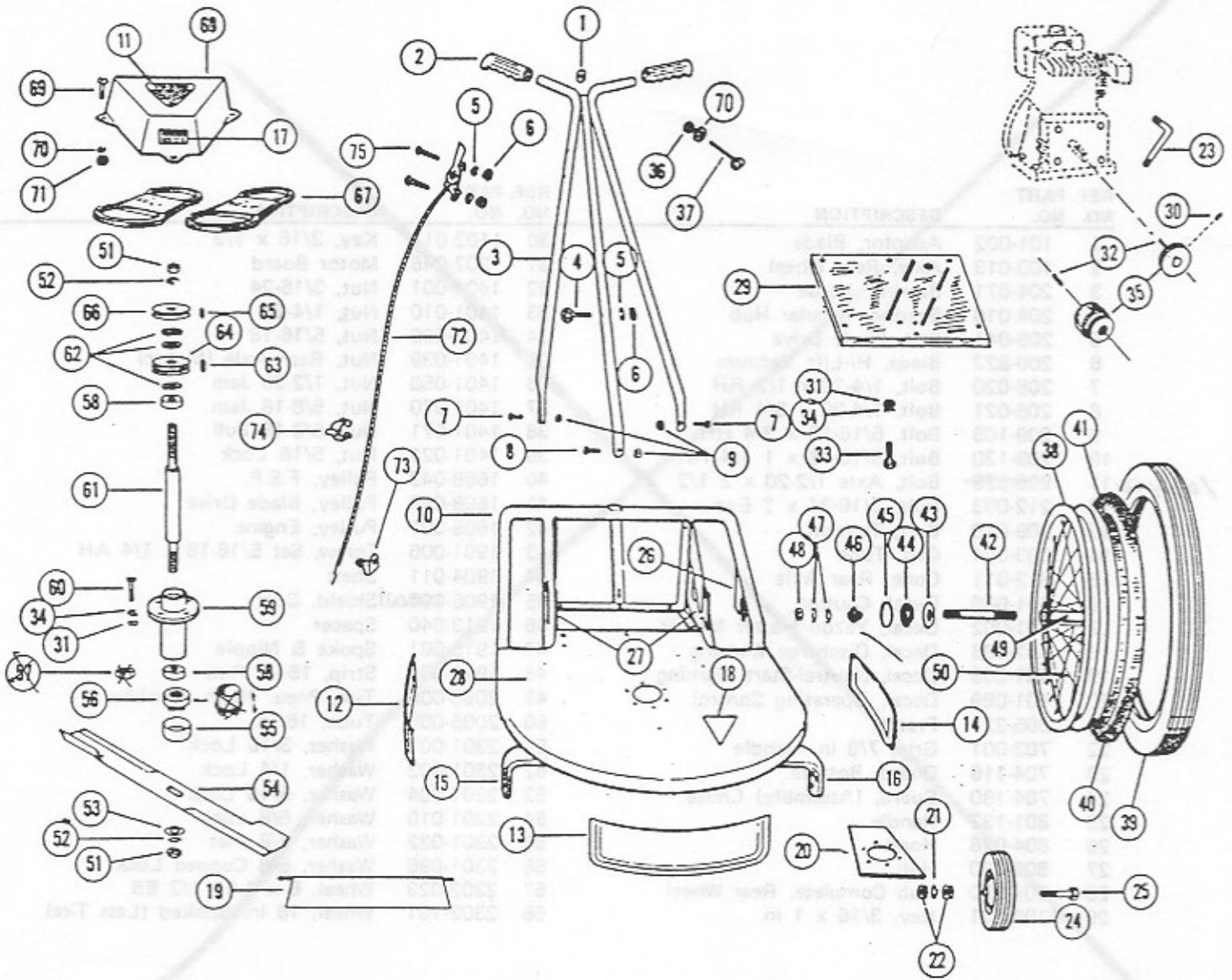


# B3/B33



# B3/B33

| REF. PART NO.  | PART NO.           | DESCRIPTION                        | REF. PART NO. | PART NO.                | DESCRIPTION                                 |
|----------------|--------------------|------------------------------------|---------------|-------------------------|---|
| 1              | 303-004            | Cap, 7/8" Tube                     | 212-014       |                         | Bolt, Eye 1/4-20 x 4 1/2 (Mtr. Adj.)        |
| 2              | 703-001            | Grip, 7/8" Handle                  | 38            | 2302-102                | Wheel 20" Spoked Complete                   |
| 3              | 801-140            | Handle, Push Models                | 39            | 2003-010                | Tire, 20" Pneu. Knobby Tread                |
|                | 801-148            | Handle, FSP Models                 |               | 2003-008                | Tire, 20" Zero Press St. Rib                |
| 4              | 212-003            | Bolt, 3/17-24 x 2 Eye              |               | 2003-030                | Tire, 20" Zero Pres. Cog Tread              |
| 5              | 2301-001           | Washer, 3/16 Lock                  | 40            | 2005-009                | Tube, 20" Reg.                              |
| 6              | 1401-001           | Nut, 3/16-24                       | 41            | 1919-002                | Strip, 20" Rim                              |
| 7              | 209-108            | Bolt, 5/16-18 x 3/4 Handle         | 42            | 103-013                 | Axle, Rear Wheel (Metric)                   |
| 8              | 209-108            | Bolt, 5/16-18 x 3/4 Center Brace   | 43            | 1804-007                | Retainer, Inside R. Whl. Brng.              |
| 9              | 1401-021           | Nut, 5/16-18 Lock                  | 44            | 204-071                 | Bearing                                     |
| 10             | 605-262            | Frame B3 Clinton                   | 45            | 1804-008                | Retainer, Outside R. Shl. Brng.             |
|                | 605-263            | Frame B3 Briggs                    | 46            | 312-011                 | Cone, Rear Axle (Metric)                    |
|                | 605-282            | Frame B33                          |               | 312-009                 | Cone, Rear Axle                             |
| 11             | 401-022            | Decal, Yazoo Master Mower          | 47            | 2301-022                | Washer, 3/8 Flat R. Axle (4)                |
| 12             | 704-081            | Guard Right (Weld)                 | 48            | 1401-039                | Nut, Rear Axle (Metric)                     |
| 13             | 704-082            | Guard Front (Weld)                 | 49            | 807-021                 | Hub Ass'y. Comp., R. Wheel                  |
| 14             | 704-083            | Guard Left (Weld)                  | 50            | 1915-002                | Spoke & Nipple Ass'y. 120 Ga.               |
| 15             | 214-008            | Bracket RT Front Wheel             | 51            | 1401-070                | Nut, 5/8-18 Jam                             |
| 16             | 214-009            | Bracket Left Front Wheel           |               | 1401-071                | Nut, 5/8-18 Full                            |
| 17             | 401-005            | Decal, Caution                     | 52            | 2301-010                | Washer, 5/8 Lock                            |
| 18             | 401-023            | Decal, Comm./Indust. 24" cut       | 53            | 2301-096                | Washer, 5/8 Cupped Blade Lock               |
| 19             | 704-108            | Guard Bottom B3-B33                | 54            | 206-224                 | Blade 24"                                   |
| 20             | 1605-005           | Plate 6-Hole Hub B3-B33-B6         | 55            | 1906- <del>000</del> 21 | Shield Dust                                 |
| 21             | 2301-008           | Washer, 1/2" Lock                  | 56            | 101-002                 | Adaptor (Use w/1906- <del>000</del> 21)     |
| 22             | 1401-050           | Nut, 1/2-20 Jam (2)                | <del>57</del> | <del>1401-071</del>     | <del>Nut, 5/8-18 Full (use w/101-001)</del> |
| 23             | 503-004            | Extension, Muffler (Clinton)       | 58            | 204-019                 | Bearing, Hub (2)                            |
| 24             | 2302-023           | Wheel 6 x 1.66 B8                  | 59            | 806-003                 | Hub, Housing/Hole B3-B33-B6                 |
| <i>103-102</i> | <del>209-529</del> | Bolt, Frt. Axle 1/2-20 x 2 1/2     | 60            | 209-126                 | Bolt 5/16-18 x 1 1/2                        |
| 26             | 309-002            | Clip, Rear Wheel                   | 61            | 1904-007                | Shaft Hub Reg. B3                           |
| 27             | 601-006            | Fenders (Set)                      |               | 1904-025                | Shaft Hub B33                               |
| 28             | 1911-244           | Skirt, B3, B33, B6                 | 62            | 1913-040                | Spacer (1 Push/3 FSP or as need)            |
| 29             | 207-040            | Board, Motor (Clinton)             | 63            | 1102-001                | Key 3/16 x 3/16 x 1                         |
|                | 207-042            | Board, Motor (B & S)               | 64            | 1608-061                | Pulley DG 2 1/2 x 5/8                       |
| 30             | 1901-009           | Set Screw 5/16-18 x 5/16 A. Hd.    | 65            | 1102-011                | Key 3/16 x 3/16 x 1/2 B33-B66               |
| 31             | 1401-020           | Nut, 5/16-18                       | 66            | 1608-044                | Pulley 2 x 5/8 Spl. SG B33                  |
| 32             | 1102-002           | Key, 1/4 x 1/4 x 1                 | 67            | 205-144                 | Belt, Blade Dr.                             |
| 33             | 209-126            | Bolt, Eng. Mtng. 5/16-18 x 1 1/2   |               | 205-040                 | Belt, Blade Dr. B33/B3                      |
|                | 209-138            | Bolt, 5/16-18 x 2 Eng. Mtng.       | 68            | 804-022                 | Hood, B3-B33-B6                             |
|                | 209-150            | Bolt, 5/16-18 x 2 1/2 (B & S-3) B6 | 69            | 208-020                 | Bolt, 1/4-20 x 1/2 Hood (3)                 |
|                | 209-162            | Bolt, 5/16-18 x 3 (Wisc. 4B & S01) | 70            | 2301-003                | Washer, 1/4" Lock                           |
| 34             | 2301-004           | Washer, 5/16 Lock                  | 71            | 1401-010                | Nut, 1/4-20                                 |
| 35             | 1608-083           | Pulley, Eng. 2 1/2 x 3/4 DG        | 72            | 301-024                 | Cable, Throttle B3-B33                      |
| 36             | 208-007            | Bolt, 3/16-24 x 1 1/4              | 73            | 307-004                 | Clamp, Throttle to Eng.                     |
| 37             | 1901-031           | Screw, Set 3/8-16 x 2 (Mtr. Adj.)  | 74            | 309-020                 | Clip, Throttle Cable 7/8"                   |
|                | 212-013            | Bolt, Eye 1/4-20 x 4 (Mtr. Adj.)   | 35            | 310- <del>001</del>     | Clutch (optional)                           |