

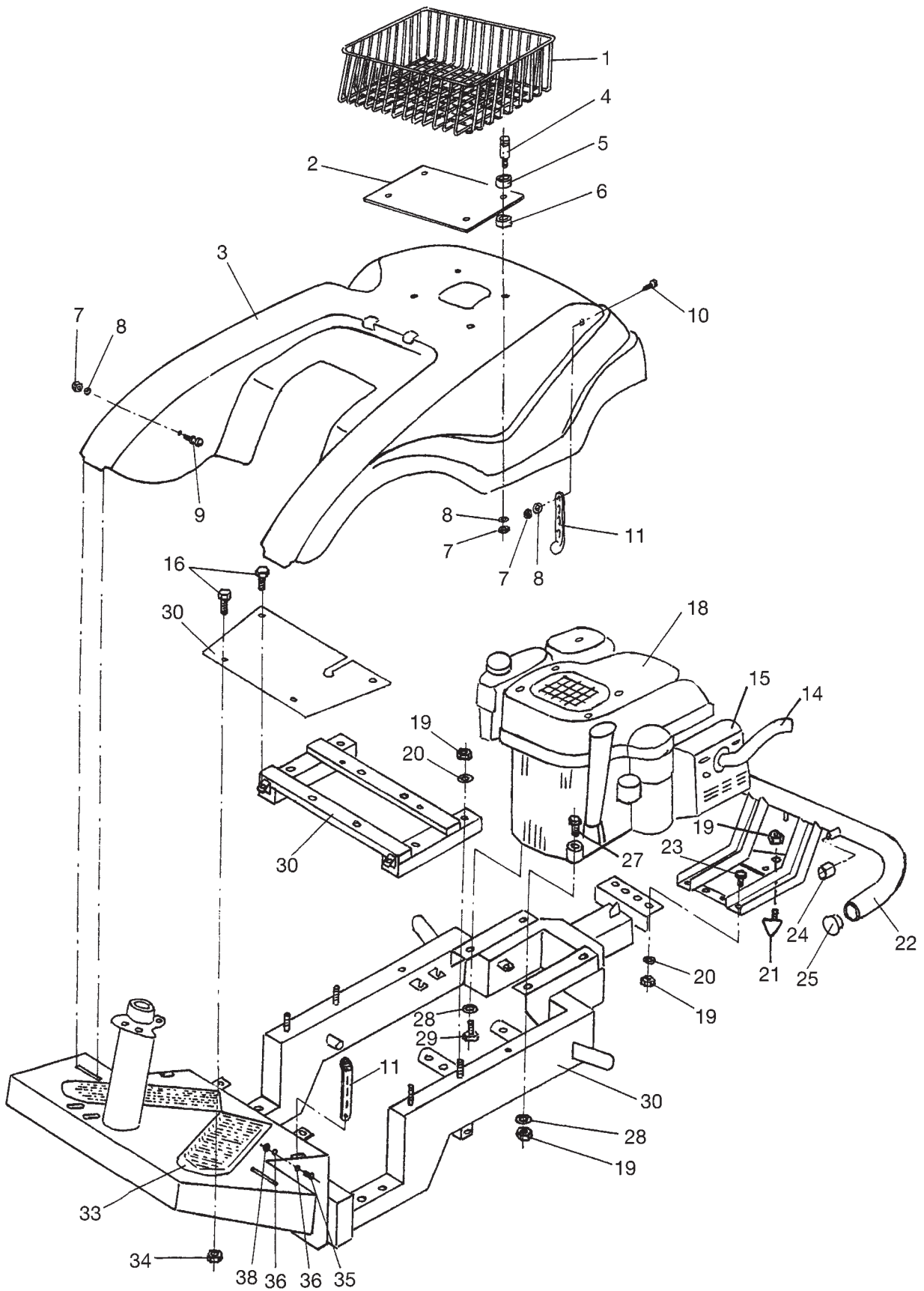


RIDER 140

to series EE

the spare parts



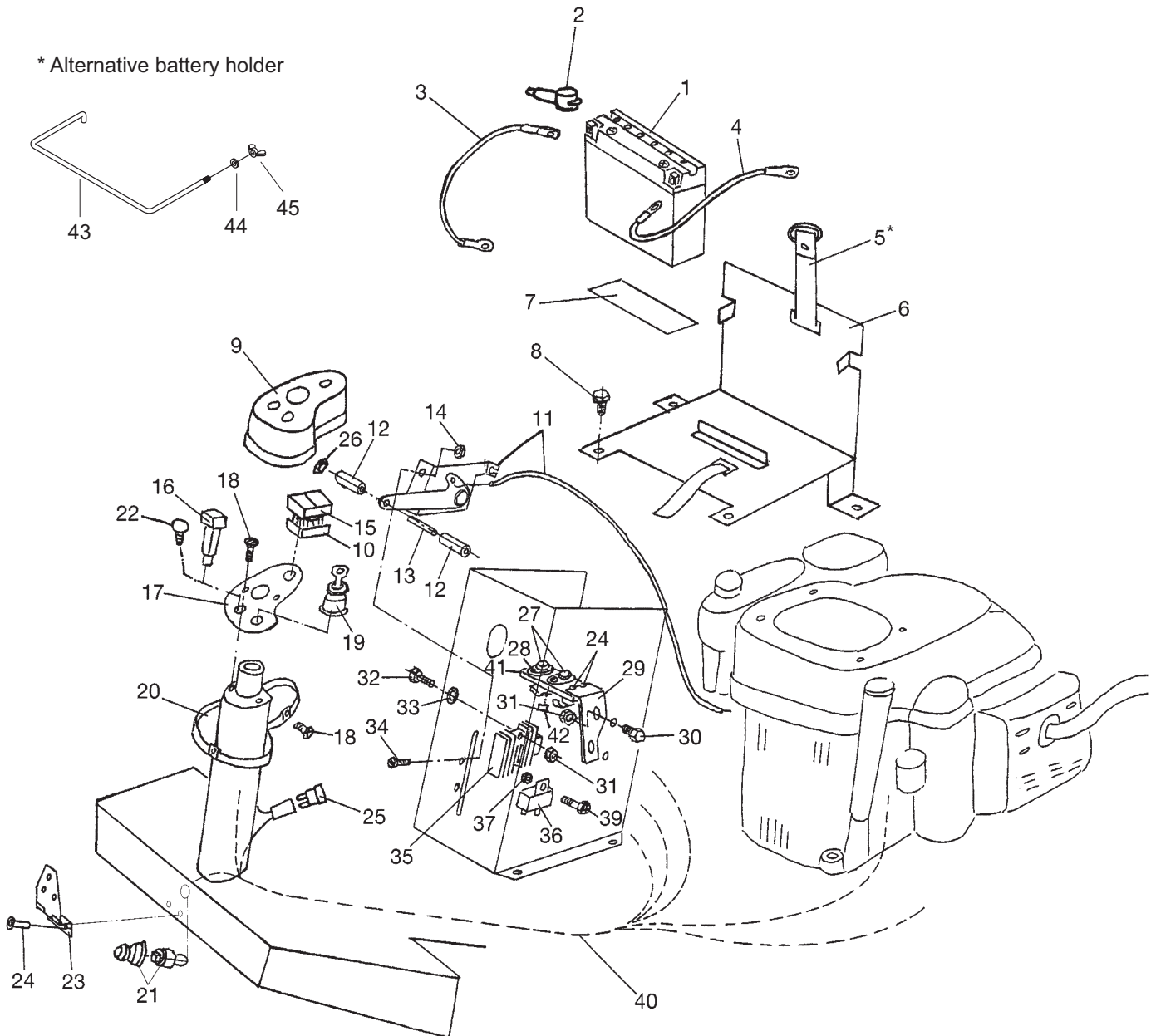




DRAWING NR.	PART NR.	DESCRIPTION	QUANT.	NOTICE
A1	54L013-0002-0001	tool basket	1	
A2	54L037-0001-0001	plate	1	
A3	54L014-0002-0012	cover	1	RAL 3002
A3	54L014-0002-0011	cover	1	RAL 3000
A3	54L014-0002-0010	cover	1	RAL 3020
A4	54L008-0002-0002	pillar	4	
A5	54L009-0002-0001	spacer	4	
A6	54L009-0002-0006	spacer	4	
A7	54L004-1492-0005	nut M5	8	
A8	54L003-1726-0053	washer 5,3	8	
A9	54L008-0001-0001	spigot	2	
A10	54L001-0073-0516	bolt M5 x 16	2	
A11	54L007-0001-0002	rubber toggle fastener	4	
A14	54L018-0004-0003	exhaust pipe	1	
A15	54L018-0001-0004	exhaust	1	
A16	54L001-0102-0612	bolt M6 x 12	4	
A18	54L016-0001-0005	engine Honda 13,5 HP	1	
A19	54L004-1492-0008	nut M8	8	
A20	54L003-1702-0084	washer 8,4	4	
A21	54L007-0007-0001	rubber inpact	2	
A22	54L017-0001-0002	bumper	1	
A23	54L001-1103-0820	bolt M8 x 20	2	
A24	54L007-0002-0001	rubber bush	2	
A25	54L015-0014-0001	end plug	2	
A27	54L001-1101-0840	bolt M8 x 40	2	
A28	54L003-1727-0009	washer 9	4	
A29	54L001-0065-0820	bolt M8 x 20	2	
A30	54L017-0002-0005	chassis	1	from series EE 00014
A30	54L017-0002-0004	chassis	1	to series EE 00013
A33	54L014-0003-0001	floor mat	2	
A34	54L004-1492-0006	nut M6	2	
A35	54L001-0084-0520	bolt M5 x 20	2	
A36	54L003-1726-0053	washer 5,3	4	
A38	54L004-1492-0005	nut M5	2	



* Alternative battery holder

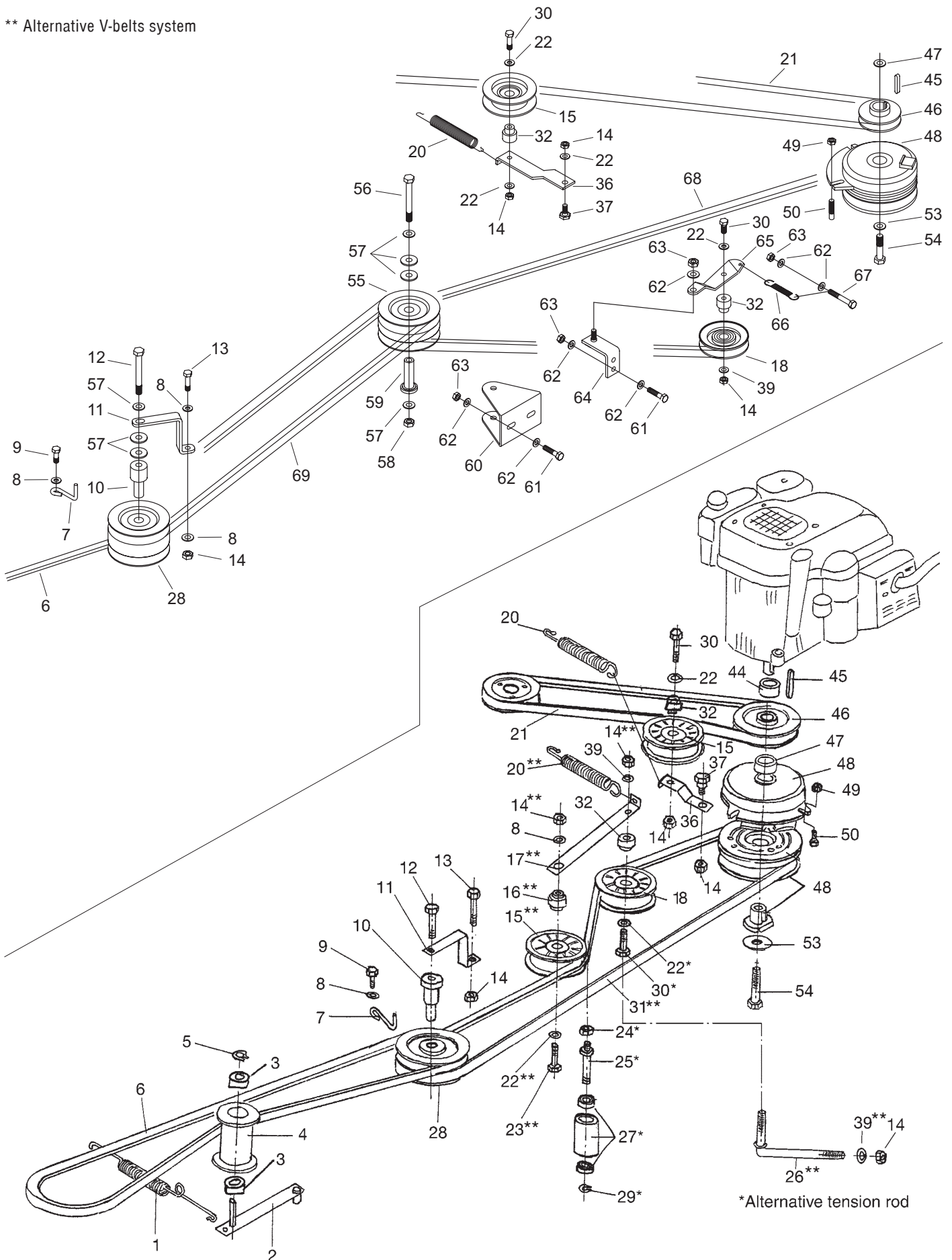




DRAWING NR.	PART NR.	DESCRIPTION	QUANT.	NOTICE
B1	54L019-0001-0001	battery	1	
B2	54L015-0005-0001	guard cap	2	
B3	54L019-0002-0001	battery cable (+)	1	
B4	54L019-0002-0002	battery cable (-)	1	
B5	54L007-0004-0001	stretch strap	1	to series EE 00026
B6	54L021-0001-0003	battery shelf	1	
B7	54L007-0005-0001	battery pad	1	
B8	54L001-1103-0610	bolt M6 x 10	4	
B9	54L014-0006-0001	instrument panel	1	
B10	54L019-0011-0001	blade switch	1	
B11	54L008-0005-0001	choke control	1	
B12	54L015-0004-0002	handle	2	
B13	54L001-1131-0550	bolt M5 x 50	1	
B14	54L004-1492-0004	nut M4	2	
B15	54L019-0010-0001	blade button	1	
B16	54L019-0015-0001	indicator	1	
B17	54L037-0001-0003	plate	1	
B18	54L002-7981-4895	screw 4,8 x 9,5	5	
B19	54L019-0006-0001	starting switch	1	
B20	54L014-0006-0002	instrument panel cover	1	
B21	54L019-0013-0001	switch complete	1	
B22	54L019-0014-0001	bulb	1	
B23	54L008-0017-0001	hinge	1	
B24	54L011-0022-3913	pin 4 x 12	4	
B25	54L019-0009-0002	fuse 7A	1	
B26	54L004-0546-0005	nut M5	1	
B27	54L019-0003-0001	switch	2	
B28	54L001-1151-0416	bolt M4 x 16	2	
B29	54L020-0001-0001	bracket	1	
B30	54L001-1103-0614	bolt M6 x 14	2	
B31	54L004-1492-0006	nut M6	3	
B32	54L001-1103-0630	bolt M6 x 30	1	
B33	54L004-1727-0009	washer 9	1	
B34	54L001-1151-0416	bolt M4 x 16	2	
B35	54L019-0016-0001	rectifier	1	
B36	54L019-0012-0001	relay	1	
B37	54L004-1492-0005	nut M5	1	
B39	54L001-1131-0512	bolt M5 x 12	1	
B40	54L019-0005-0005	cable harness	1	
B41	54L037-0006-0001	isolation plate	1	
B42	54L004-1401-0004	nut M4	4	
B43	54L022-0005-0002	battery holder	1	from series EE 00027
B44	54L003-1702-0064	washer 6,4	5	from series EE 00027
B45	54L004-1665-0006	nut M6	1	from series EE 00027



** Alternative V-belts system

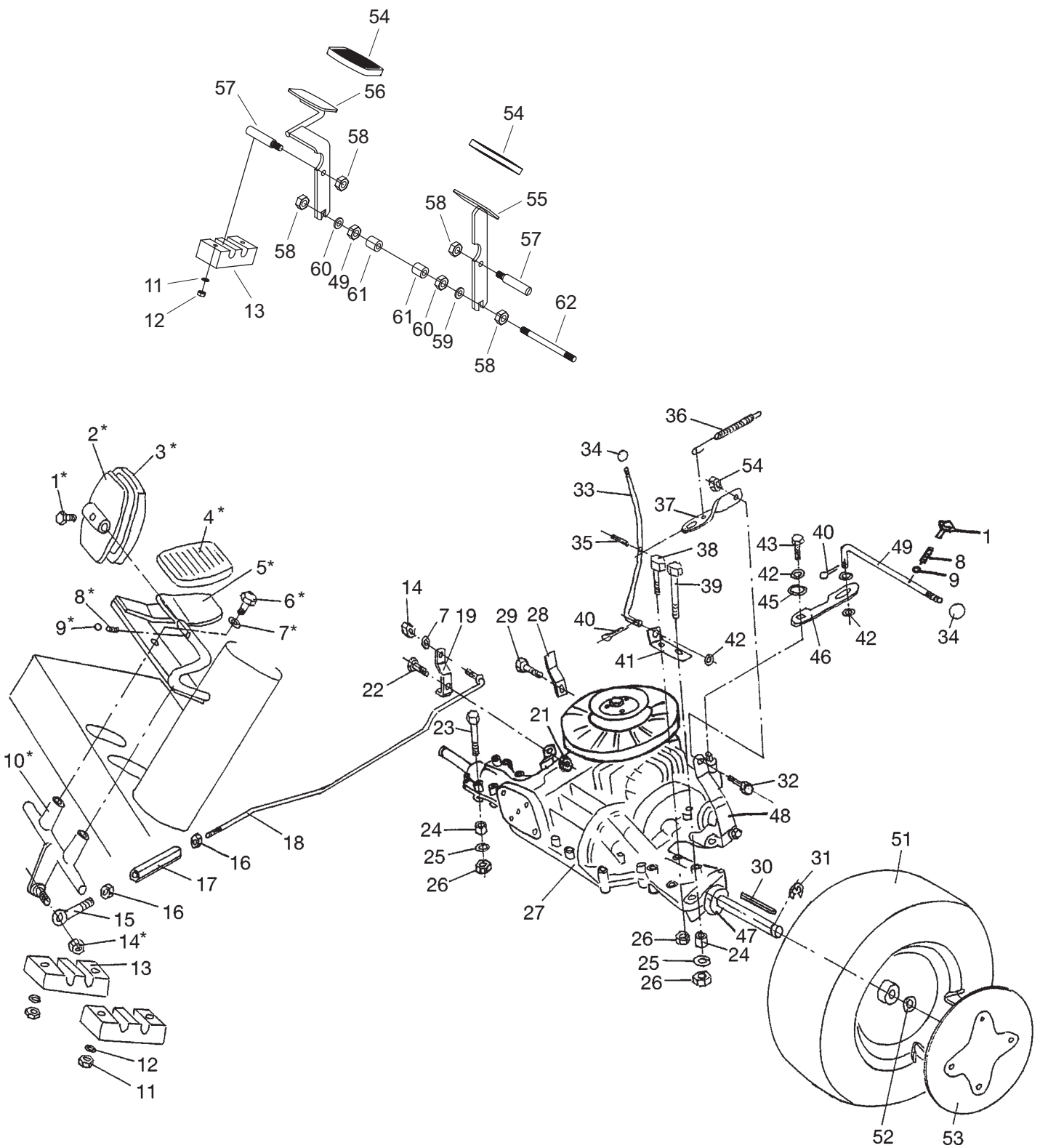




DRAWING NR.	PART NR.	DESCRIPTION	QUANT.	NOTICE
C1	54L023-0001-0004	spring	1	to series EE 00009
C2	54L021-0002-0004	arm	1	to series EE 00009
C3	54L035-0000-0005	bearing	2	to series EE 00009
C4	54L027-0002-0008	tension pulley	1	to series EE 00009
C5	54L006-2930-0012	circlip 12	1	to series EE 00009
C6	54L024-0001-0010	V-belt	1	from series EE 00010
C6	54L024-0001-0001	V-belt	1	for Rider 140/85 to series EE 00009
C6	54L024-0001-0008	V-belt	1	for Rider 140/105 to series EE 00009
C7	54L028-0000-0005	belt guide	1	from series EE 00010
C7	54L028-0000-0002	belt guide	1	to series EE 00009
C8	54L003-1702-0084	washer 8,4	2	
C9	54L001-1103-0816	bolt M8 x 16	1	
C10	54L026-0001-0008	counter shaft	1	from series EE 00010
C10	54L026-0001-0007	counter shaft	1	to series EE 00009
C11	54L008-0014-0005	brace	1	from series EE 00014
C11	54L008-0014-0004	brace	1	to series EE 00013
C12	54L001-1101-1080	bolt M10 x 80	1	
C13	54L001-1101-0870	bolt M8 x 70	1	
C14	54L004-1492-0008	nut M8	5	
C15	54L027-0002-0001	tension pulley	1	to series FF 00160 2pc
C16	54L010-0001-0006	bush	1	to series FF 00160
C17	54L025-0000-0007	tensioner	1	to series EE 00013
C17	54L025-0000-0009	tensioner	1	from series EE 00014 to FF 00160
C18	54L027-0002-0009	tension pulley	1	
C20	54L023-0001-0015	spring	1	to series EE 00013 2pc
C21	54L024-0001-0007	V-belt	1	
C22	54L003-1727-0009	washer 9	3	
C23	54L001-1101-0850	bolt M8 x 50	1	to series FF 00160
C24	54L004-1429-0010	nut M10	1	to series EE 00013
C25	54L030-0001-0003	rod	1	to series EE 00013
C26	54L030-0005-0003	tension rod	1	from series EE 00014 to FF 00160
C27	54L027-0002-0007	tension pulley	1	to series EE 00013
C28	54L027-0001-0009	belt pulley	1	from series EE 00010
C28	54L027-0001-0008	belt pulley	1	to series EE 00009
C29	54L006-2930-0012	circlip 12	1	to series EE 00013
C30	54L001-1101-0840	bolt M8 x 40	2	
C31	54L024-0001-0009	V-belt	1	
C32	54L009-0001-0006	spacer	2	
C36	54L025-0000-0008	tensioner	1	
C37	54L001-0001-0007	bolt special	1	
C39	54L003-1702-0084	washer 8,4	2	
C44	54L009-0001-0009	spacer	1	
C45	54L029-0000-0004	key	1	
C46	54L027-0001-0006	belt pulley	1	
C47	54L003-0001-0006	special washer	1	
C47	54L003-0001-0003	special washer 3 mm	1	
C48	54L016-0006-0001	electric clutch	1	
C49	54L004-1492-0008	nut M8	1	
C50	54L001-1187-0835	bolt M8 x 35	1	
C53	54L003-1727-0014	washer 14	1	
C54	54L001-0931-0004	bolt 7/16 x 2 1/2"	1	
C55	54L027-0001-0020	belt pulley	1	from series FF00161
C56	54L001-1101-1090	bolt M10 x 90	1	from series FF 00161
C57	54L003-1702-0105	washer 10,5	3	from series FF 00161
C58	54L004-1492-0010	nut M10	1	from series FF 00161
C59	54L026-0001-0010	counter shaft	1	from series FF 00161
C60	54L020-0007-0001	belt pulley bracket	1	from series FF 00161
C61	54L001-1101-0860	bolt M8 x 60	4	from series FF 00161
C62	54L003-1702-0084	washer 8,4	11	from series FF 00161
C63	54L004-1492-0008	nut M8	6	from series FF 00161
C64	54L020-0001-0045	bracket	1	from series FF 00161
C65	54L030-0001-0008	rod	1	from series FF 00161
C66	54L023-0001-0019	spring	1	from series FF 00161
C67	54L001-0001-0013	bolt special	1	from series FF 00161
C68	54L024-0001-0016	V-belt	1	from series FF 00161
C69	54L024-0001-0017	V-belt	1	from series FF 00161



* Alternative pedal system



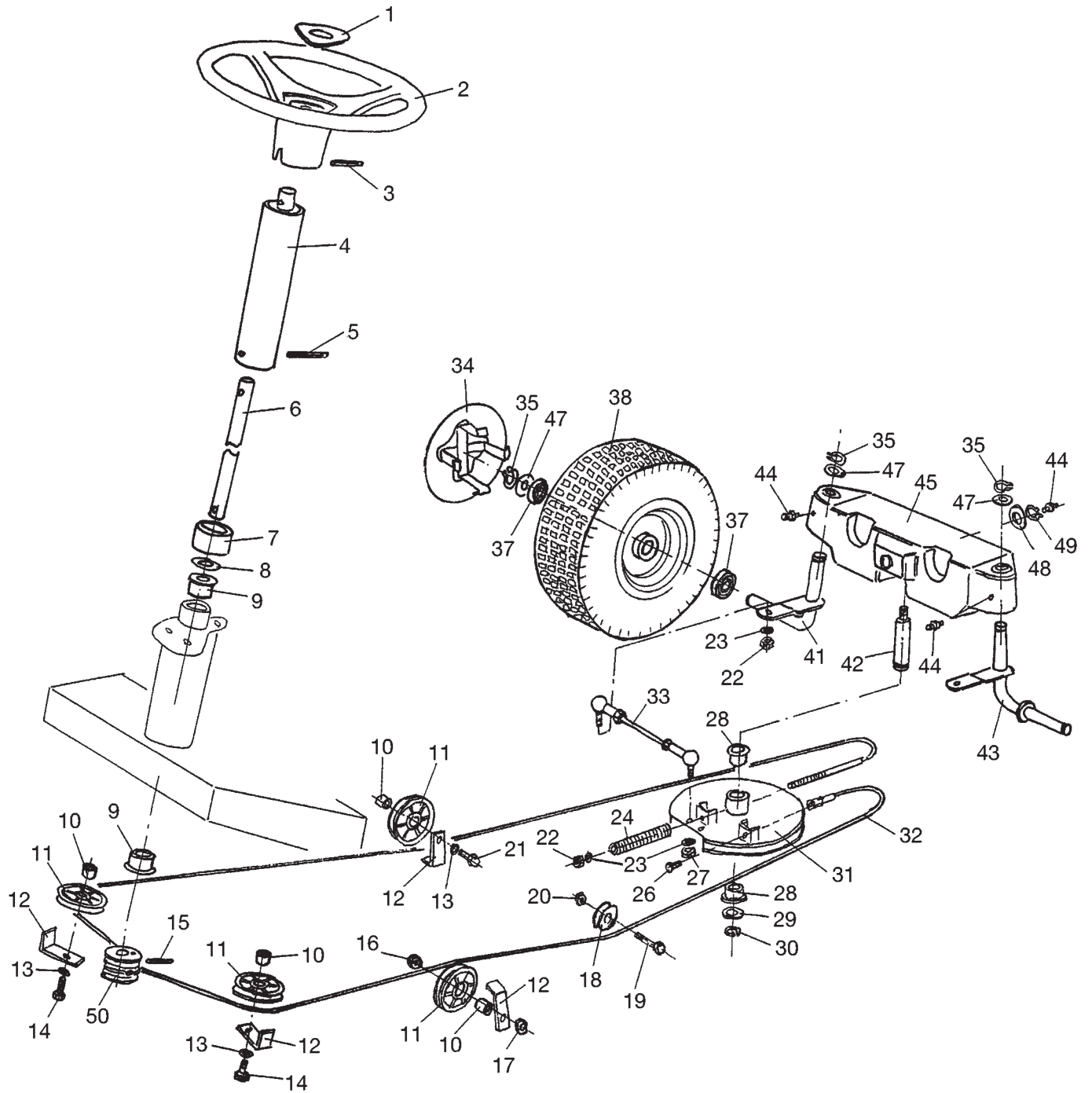
DRAWING NR.	PART NR.	DESCRIPTION	QUANT.	NOTICE
D1-D9	54L046-0007-0001	pedal complete	1	
D54-D62	54L046-0007-0002	pedal complete	1	



DRAWING NR.	PART NR.	DESCRIPTION	QUANT.	NOTICE
D1	54L001-1103-0610	bolt M6 x 10	1	
D2	54L022-0001-0001	forward pedal	1	
D3	54L007-0003-0002	pedal rubber	1	
D4	54L007-0003-0001	pedal rubber	1	
D5	54L022-0002-0001	backward pedal	1	
D6	54L001-1103-0816	bolt M8 x 16	2	
D7	54L003-1702-0084	washer 8,4	1	
D8	54L023-0001-0014	spring	1	
D9	54L008-0008-0001	ball 4 mm	1	
D10	54L034-0002-0004	control lever	1	
D11	54L004-1492-0006	nut M6	4	
D12	54L003-1702-0064	washer 6,4	4	
D13	54L015-0001-0001	bearer	2	
D14	54L004-1492-0008	nut M8	1	
D15	54L001-0253-0840	bolt M8 x 40	1	
D16	54L004-1403-0008	nut M8	2	
D17	54L008-0016-0001	nut	1	
D18	54L030-0009-0006	control rod	1	
D19	54L034-0002-0010	control lever	1	from series EE 00014
D19	54L034-0002-0005	control lever	1	to series EE 00013
D21	54L004-1492-0012	nut M12	1	
D22	54L001-1101-1220	bolt M12 x 20	1	
D23	54L001-1101-8100	bolt M8 x 100	3	
D24	54L009-0001-0013	spacer	4	
D25	54L003-1702-0084	washer 8,4	4	
D26	54L004-1492-0008	nut M8	4	
D27	54L016-0002-0003	hydro gearbox	1	
D28	54L034-0002-0009	control lever	1	from series EE 00014
D28	54L034-0002-0006	control lever	1	to series EE 00013
D29	54L001-1103-1020	bolt M10 x 20	1	
D30	54L029-0000-0005	key	2	
D31	54L006-2929-0015	circlip 15	2	
D32	54L001-1103-0816	bolt M8 x 16	1	
D33	54L030-0003-0003	brake rod	1	from series EE 00014
D33	54L030-0003-0002	brake rod	1	to series EE 00013
D34	54L015-0003-0002	ballgrip	2	
D35	54L011-2156-0316	locating pin 3 x 16	2	
D36	54L023-0001-0005	spring	1	
D37	54L021-0002-0005	arm	1	
D38	54L001-1101-0860	bolt M8 x 60	1	
D39	54L001-1101-8110	bolt M8 x 110	1	
D40	54L011-1781-0325	split pin 3 x 25	2	
D41	54L034-0002-0007	control lever	1	
D42	54L003-1702-0084	washer 8,4	4	
D43	54L001-0931-0003	bolt 1/4 x 3/4"	1	
D45	54L007-0008-0001	rubber ring	1	
D46	54L021-0002-0006	arm	1	to series FF 00160
D46	54L021-0002-0012	arm	1	from series FF 00161
D47	54L010-0001-0007	bush	2	
D48	54L034-0002-0011	control lever	1	from series EE 00014
D48	54L034-0002-0008	control lever	1	to series EE 00013
D49	54L030-0001-0004	rod	1	to series FF 00160
D49	54L030-0001-0007	rod	1	from series FF 00161
D51	54L039-0000-0003	wheel	2	
D52	54L003-0000-0010	washer 1 mm		what is needed
D52	54L003-0000-0020	washer 2 mm		what is needed
D52	54L003-0000-0005	washer 0,5 mm		what is needed
D53	54L014-0005-0006	wheel cover	2	option
D54	54L007-0003-0001	pedal rubber	2	
D55	54L022-0001-0002	forward pedal	1	
D56	54L022-0002-0002	backward pedal	1	
D57	54L008-0002-0003	pillar	2	
D58	54L004-1492-0008	nut M8	4	
D59	54L003-1702-0084	washer 8,4	2	
D60	54L004-1401-0008	nut M8	2	
D61	54L010-0001-0010	bush	2	
D62	54L030-0001-0005	rod	1	

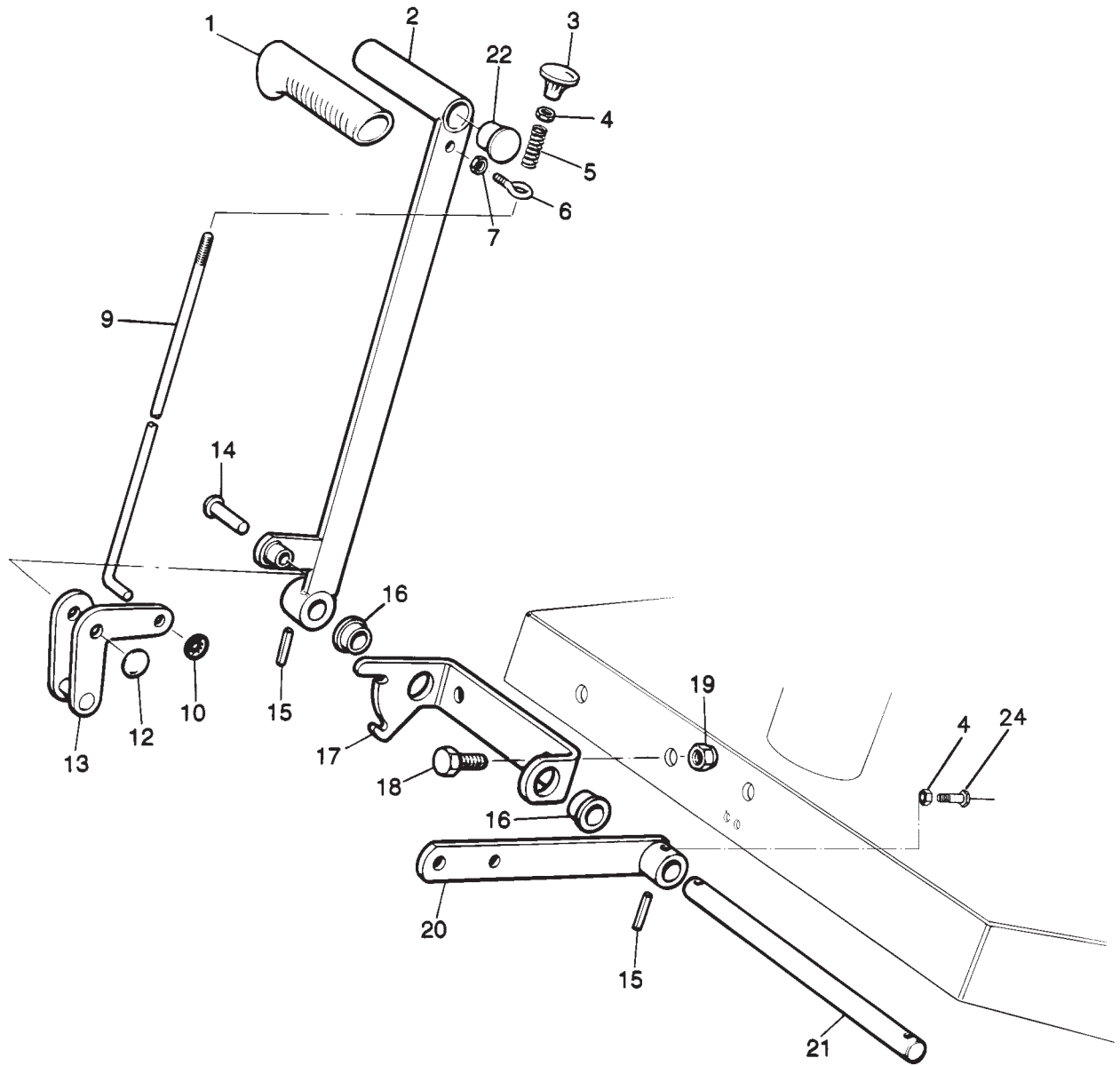


DRAWING NR.	PART NR.	DESCRIPTION	QUANT.	NOTICE
E1	54L040-0001-0002	seat 2	1	
E1	54L040-0001-0005	seat 2	1	with Klippo logo
E2	54L040-0002-0001	slide left top	1	
E3	54L003-1745-0084	washer 8,4	4	
E4	54L001-1143-0825	bolt M8 x 25	4	
E5	54L040-0002-0002	slide right top	1	
E6	54L015-0002-0002	knob	1	
E7	54L001-1103-0816	bolt M8 x 16	4	
E8	54L004-1492-0008	nut M8	9	
E9	54L040-0003-0002	slide right below	1	
E10	54L040-0003-0001	slide left below	1	
E11	54L001-1103-0820	bolt M8 x 20	1	
E12	54L038-0001-0005	seat adjustment	1	
E13	54L005-0000-0002	push-on fastener	4	
E14	54L020-0003-0002	seat support bracket right	1	
E15	54L020-0003-0001	seat support bracket left	1	
E16	54L037-0007-0001	pivot plate	2	
E17	54L008-0004-0001	spring nut	1	
E18	54L023-0002-0001	seat spring	1	
E19	54L030-0001-0002	rod	1	
E20	54L015-0008-0001	spring pivot pin	2	
E21	54L030-0004-0001	seat rod	1	
E22	54L021-0003-0001	spring shackle	1	
E23	54L031-0000-0001	tube	1	
E24	54L032-0001-0001	shaft	1	
E25	54L005-0000-0003	push-on fastener	2	
E26	54L032-0001-0002	shaft	1	
E27	54L020-0004-0003	seat bracket	1	to series EE 00033
E27	54L020-0004-0004	seat bracket	1	from series EE 00034
E28	54L001-1101-0835	bolt M8 x 35	4	
E29	54L003-1702-0084	washer 8,4	8	
E30	54L004-1492-0008	nut M8	5	
E31	54L030-0005-0001	tension rod	1	to series EE 00033
E31	54L030-0005-0003	tension rod	1	from series EE 00034
E32	54L031-0000-0002	tube	1	to series EE 00033
E32	54L031-0000-0003	tube	1	from series EE 00034
E33	54L011-2150-0325	locating pin 3 x 25	1	
E34	54L015-0002-0003	knob	1	
E35	54L040-0001-0001	seat 1	1	
E36	54L008-0003-0001	guide	4	
E37	54L004-1401-0008	nut M8	2	
E38	54L001-1103-0812	bolt M8 x 12	6	
E39	54L038-0002-0001	seat support	1	
E40	54L003-1702-0084	washer 8,4	4	
E41	54L001-1131-0058	bolt M5 x 8	4	
E42	54L003-1740-0051	washer 5,1	4	
E43	54L003-1745-0084	washer 8,4	4	
E44	54L001-1103-0820	bolt M8 x 20	4	
E45	54L015-0003-0001	ballgrip	1	
E46	54L038-0001-0002	seat adjustment	1	
E59	54L005-0000-0004	push-on fastener	2	





DRAWING NR.	PART NR.	DESCRIPTION	QUANT.	NOTICE
G1	54L042-0002-0001	steering column cover	1	black
G1	54L042-0002-0005	steering column cover	1	red
G1	54L042-0002-0004	steering column cover	1	Klippo
G2	54L042-0003-0001	steering wheel	1	black
G2	54L042-0003-0004	steering wheel	1	red
G3	54L011-2156-0626	roll pin 6 x 26	1	
G4	54L042-0004-0001	steering column	1	
G5	54L011-2156-0645	roll pin 6 x 45	1	
G6	54L032-0004-0002	steering column shaft	1	identical with 54L042-0004-0001
G7	54L010-0002-0001	bush	1	
G8	54L003-0003-0008	thrust washer 0,8 mm		what is needed
G8	54L003-0003-0015	thrust washer 1,5 mm		what is needed
G9	54L010-0002-0002	bush	2	
G10	54L010-0001-0003	bush	4	to series EE 00013
G11	54L015-0009-0001	cable idler wheel	4	to series EE 00013
G12	54L020-0005-0002	idler wheel bracket	4	to series EE 00013
G13	54L003-1702-0105	washer 10,5	3	to series EE 00013
G14	54L001-1101-1030	bolt M10 x 30	2	to series EE 00013
G15	54L011-2156-0636	roll pin 6 x 36	1	
G16	54L004-1429-0010	nut M10	1	to series EE 00013
G17	54L004-1403-0010	nut M10	1	to series EE 00013
G18	54L015-0009-0002	cable idler wheel	1	to series EE 00013
G19	54L001-1131-0525	bolt M5 x 25	1	to series EE 00013
G20	54L003-1492-0005	nut M5	1	to series EE 00013
G21	54L001-1101-1040	bolt M10 x 40	1	to series EE 00013
G22	54L004-1492-0008	nut M8	4	
G23	54L003-1702-0084	washer 8,4	5	
G24	54L023-0001-0008	spring	1	
G26	54L001-1103-0816	bolt M8 x 16	1	
G27	54L004-1492-0008	nut M8	1	
G28	54L010-0002-0003	bush	2	
G29	54L003-0000-0015	washer 1,5 mm	1	
G30	54L006-2930-0020	circlip 20	1	
G31	54L042-0001-0002	steering pulley	1	
G32	54L041-0002-0003	steering cable	1	from series EE 00014
G32	54L041-0002-0002	steering cable	1	to series EE 00013
G33	54L030-0007-0001	tie rod	2	
G34	54L014-0005-0005	wheel cover small	2	option
G35	54L006-2930-0025	circlip 25	4	
G37	54L035-0000-0006	bearing	4	
G38	54L039-0000-0004	wheel	2	
G41	54L043-0001-0005	axle right	1	from series DD
G41	54L043-0001-0003	axle right	1	to series CC
G42	54L043-0002-0001	axle pin	1	
G43	54L043-0001-0006	axle left	1	from series DD
G43	54L043-0001-0004	axle left	1	to series CC
G44	54L012-7421-0006	grease nipple KM6	3	
G45	54L036-0001-0002	rear axle body	1	
G47	54L003-0001-0003	special washer 3 mm		what is needed
G47	54L003-0001-0004	special washer 2 mm		what is needed
G47	54L003-0001-0005	special washer 1 mm		what is needed
G47	54L003-0001-0012	special washer 0,5 mm		what is needed
G48	54L003-1702-0021	washer 21	1	
G49	54L006-2930-0020	circlip 20	1	
G50	54L042-0001-0001	steering pulley	1	





DRAWING NR.	PART NR.	DESCRIPTION	QUANT.	NOTICE
H1	54L015-0004-0003	handle	1	
H2	54L034-0005-0001	lift lever	1	
H3	54L015-0002-0005	knob	1	
H4	54L004-1401-0006	nut M6	2	
H5	54L023-0001-0009	spring	1	
H6	54L002-1006-0515	eyescrew M5 x 15	1	
H7	54L004-1403-0005	nut M5	1	
H9	54L030-0008-0001	push rod	1	
H10	54L005-0000-0001	push-on fastener	1	
H12	54L005-0000-0005	push-on fastener	1	
H13	54L020-0001-0003	bracket	1	
H14	54L011-0660-0830	pin 8 x 30	1	
H15	54L011-2156-0830	roll pin 8 x 30	2	
H16	54L010-0002-0004	bush	2	
H17	54L020-0001-0004	bracket	1	
H18	54L001-1103-1020	bolt M10 x 20	2	
H19	54L004-1492-0010	nut M10	2	
H20	54L021-0002-0002	lift arm	1	to series EE
H20	54L021-0002-0009	lift arm	1	from series FF
H21	54L032-0003-0001	lift shaft	1	
H22	54L015-0002-0006	knob	1	
H23	54L001-1103-0620	bolt M6 x 20	1	
H1-H22	54L046-0002-0001	handle complete	1	to series EE
H1-H22	54L046-0002-0003	handle complete	1	from series FF



NOTICE

A large area of horizontal lines for writing, consisting of 30 rows of light gray lines on a white background.