

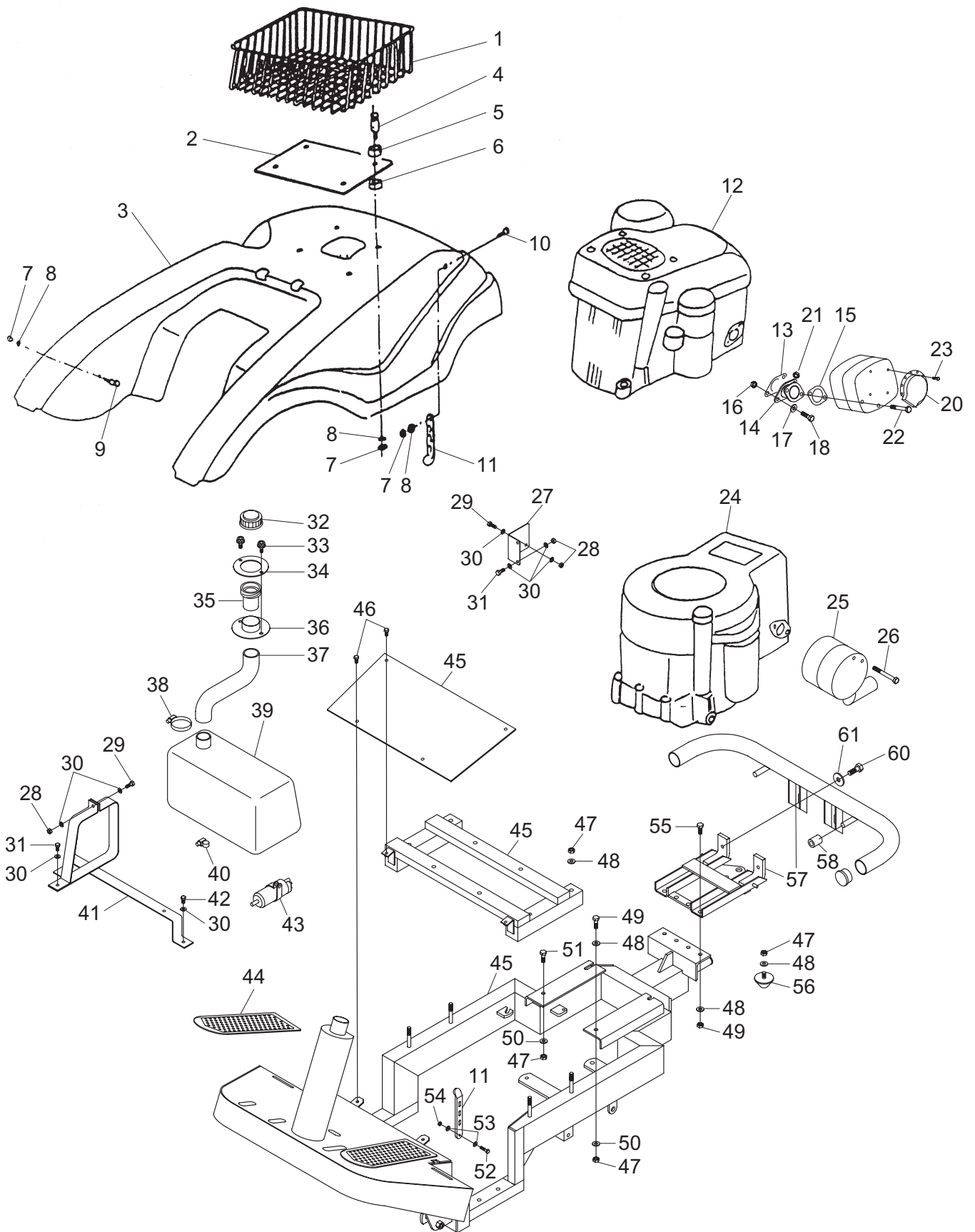


RIDER 140

from series FF

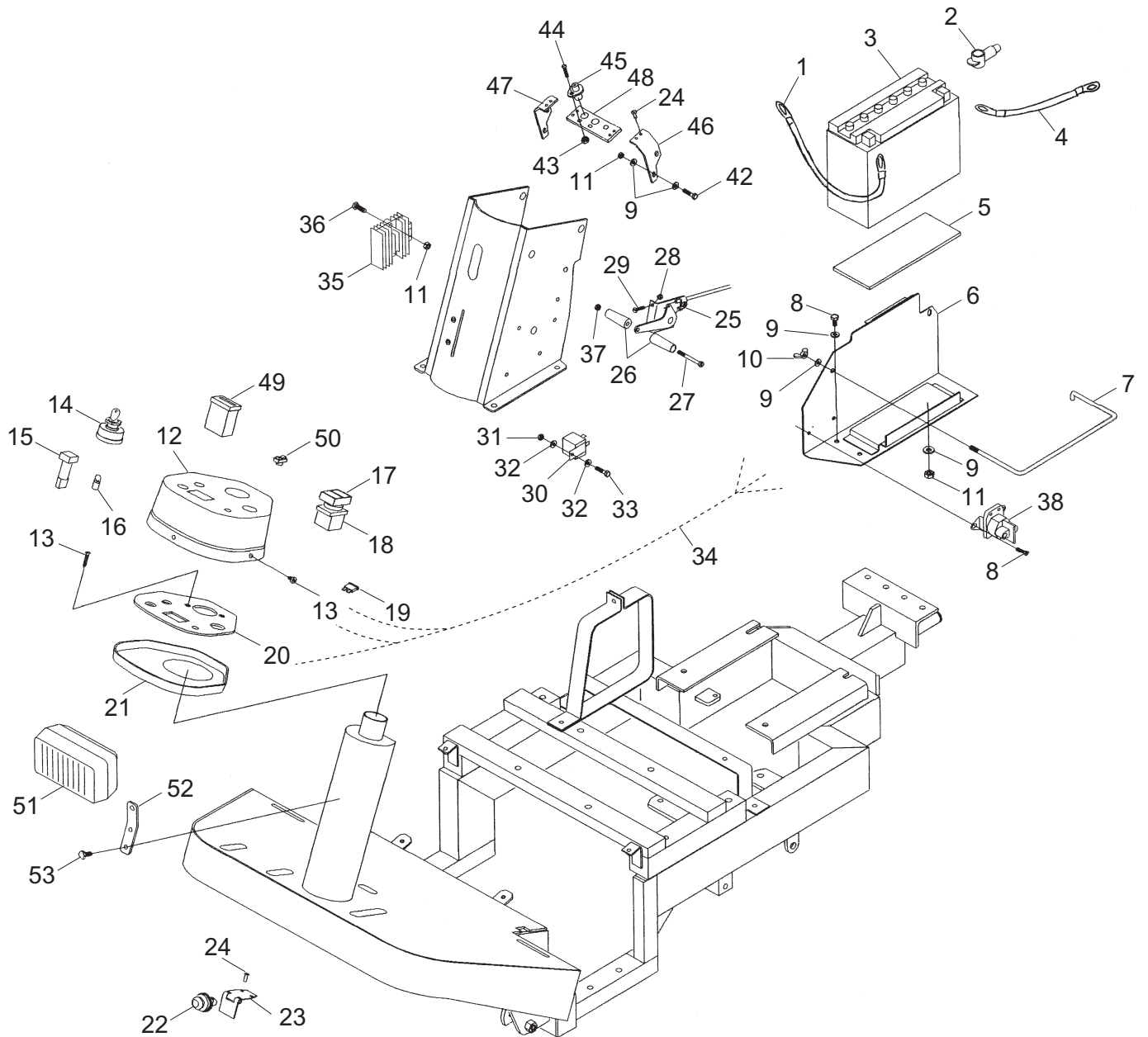
the spare parts







DRAWING NR.	PART NR.	DESCRIPTION	QUANT.	NOTICE
A1	54L013-0002-0001	tool basket	1	
A2	54L037-0001-0001	plate	1	
A3	54L014-0002-0012	cover	1	
A4	54L008-0002-0002	pillar	4	
A5	54L009-0002-0001	spacer	4	
A6	54L009-0002-0006	spacer	4	
A7	54L004-1492-0005	nut M5	8	
A8	54L003-1726-0053	washer 5,3	8	
A9	54L008-0001-0001	spigot	2	
A10	54L001-0073-0516	bolt M5 x 16	2	
A11	54L007-0001-0002	rubber toggle fastener	4	
A12	54L016-0001-0005	engine	1	Honda GXV 390 - 13HP
A13	54L018-0002-0002	gasket	1	for Honda engine
A14	54L018-0004-0004	exhaust pipe	1	for Honda engine
A15	54L018-0002-0001	gasket	1	for Honda engine
A16	54L004-1492-0008	nut M8	2	for Honda engine
A17	54L003-1702-0084	washer 8,4	2	for Honda engine
A18	54L001-1103-0820	bolt M8 x 20	2	for Honda engine
A19	54L018-0001-0003	exhaust	1	for Honda engine
A20	54L018-0003-0001	deflector	1	for Honda engine
A21	54L004-0140-0516	nut 5/16"	2	for Honda engine
A22	54L001-0001-0009	bolt special	2	for Honda engine
A23	54L002-7981-4295	screw 4,2 x 9,5	3	for Honda engine
A24	54L016-0001-0006	engine	1	B&S I/C - 15,5HP
A25	54L018-0001-0005	exhaust	1	for Briggs engine
A26	54L001-0001-0009	bolt special	2	for Briggs engine
A27	54L021-0000-0002	bracket	1	for Briggs engine
A28	54L004-1492-0006	nut M6	5	
A29	54L001-1103-0620	bolt M6 x 20	3	
A30	54L003-1702-0064	washer 6,4	12	
A31	54L001-1103-0614	bolt M6 x 14	3	
A32	54L016-0007-0001	cap	1	
A33	54L001-0001-0008	bolt special	2	
A34	54L037-0001-0006	plate	1	
A35	54L015-0016-0001	throat	1	
A36	54L037-0001-0005	plate	1	
A37	54L007-0009-0001	rubber tube	1	
A38	54L008-0019-0002	band	1	
A39	54L015-0017-0001	tank	1	
A40	54L008-0019-0001	band	2	
A41	54L021-0008-0001	tank holder	1	
A42	54L001-1103-0640	bolt M6 x 40	1	
A43	54L019-0017-0001	petrol pump	1	for Honda engine
A44	54L014-0003-0001	floormat	2	
A45	54L017-0002-0008	chassis	1	
A46	54L001-0102-0612	bolt M6 x 12	4	
A47	54L004-1492-0008	nut M8	12	
A48	54L003-1702-0084	washer 8,4	9	
A49	54L001-1101-0850	bolt M8 x 50	1	
A50	54L003-1727-0009	washer 9	4	
A51	54L001-1101-0840	bolt M8 x 40	3	
A52	54L001-0084-0520	bolt M5 x 20	2	
A53	54L003-1726-0053	washer 5,3	4	
A54	54L004-1492-0005	nut M5	2	
A55	54L001-1103-0820	bolt M8 x 20	2	
A56	54L007-0007-0001	rubber inpack	2	
A57	54L017-0001-0002	bumper	1	
A58	54L007-0002-0001	rubber bush	2	
A59	54L015-0014-0001	end plug	2	
A60	54L001-1103-1020	bolt M10 x 20	2	
A61	54L003-1702-0105	washer 10,5	2	
A1-A11	54L046-0006-0004	engine cover complete	1	

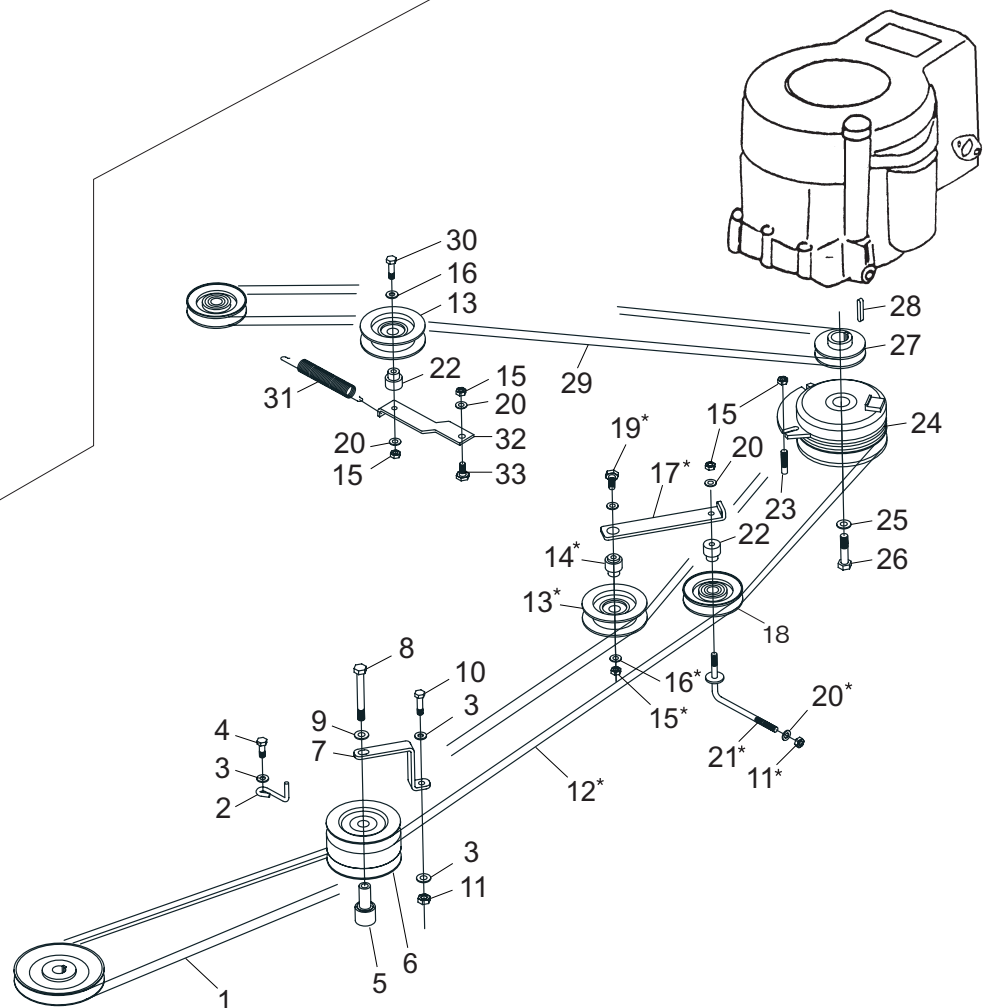
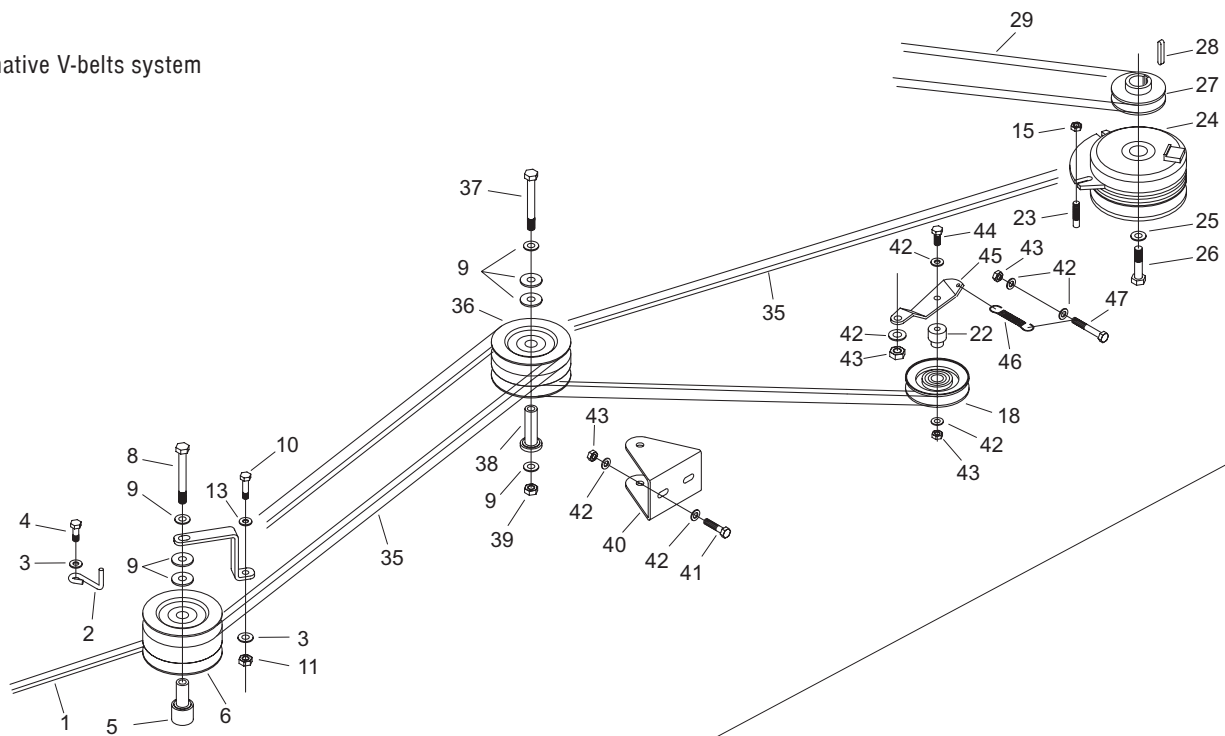




DRAWING NR.	PART NR.	DESCRIPTION	QUANT.	NOTICE
B1	54L019-0002-0001	battery cable (+)	1	
B2	54L015-0005-0001	guard cap	2	
B3	54L019-0001-0001	battery	1	
B4	54L019-0002-0002	battery cable (-)	1	
B5	54L007-0005-0001	battery pad	1	
B6	54L021-0001-0004	battery shelf	1	
B7	54L022-0005-0003	battery holder	1	
B8	54L001-1103-0614	bolt M6 x 14	4	
B9	54L003-1702-0064	washer 6,4	8	
B10	54L004-1665-0006	nut M6	1	
B11	54L004-1492-0006	nut M6	4	
B12	54L014-0006-0003	instrument panel	1	
B13	54L002-7981-4895	screw 4,8 x 9,5	6	
B14	54L019-0006-0001	starting switch	1	
B15	54L019-0015-0001	indicator	1	
B16	54L019-0014-0001	bulb	1	
B17	54L019-0010-0002	blade button	1	
B18	54L019-0011-0002	blade switch	1	
B19	54L019-0009-0002	fuse 7A	1	
B20	54L037-0001-0004	plate	1	
B21	54L014-0006-0004	instrument panel cover	1	
B22	54L019-0013-0001	switch complete	1	
B23	54L008-0017-0002	hinge	1	
B24	54L011-0022-3913	pin 4 x 12	6	
B25	54L008-0005-0001	choke control	1	
B26	54L015-0004-0002	handle	2	
B27	54L001-1131-0550	bolt M5 x 50	1	
B28	54L004-1492-0004	nut M4	2	
B29	54L001-1151-0416	bolt M4 x 16	2	
B30	54L019-0012-0001	relay	1	
B31	54L004-1492-0005	nut M5	1	
B32	54L003-1726-0053	washer 5,3	2	
B33	54L001-1131-0512	bolt M5 x 12	1	
B34	54L019-0005-0006	cable harness	1	
B35	54L019-0016-0001	rectifier	1	for Honda engine
B36	54L001-1103-0620	bolt M6 x 20	1	
B37	54L004-0546-0005	nut M5	1	
B38	54L019-0007-0001	starting relay	1	for Briggs engine
B42	54L001-1103-0614	bolt M6 x 14	4	
B43	54L004-1401-0004	nut M4	4	
B44	54L001-1151-0416	bolt M4 x 16	2	
B45	54L019-0003-0001	switch	2	
B46	54L020-0001-0010	bracket left	1	
B47	54L020-0001-0011	bracket right	1	
B48	54L037-0006-0002	isolation plate	1	
B49	54L019-0008-0001	hour meter	1	option
B50	54L019-0003-0002	light switch	1	option
B51	54L019-0019-0001	light	1	option
B52	54L021-0006-0001	light holder	1	option
B53	54L001-1103-0614	bolt M6 x 14	2	option

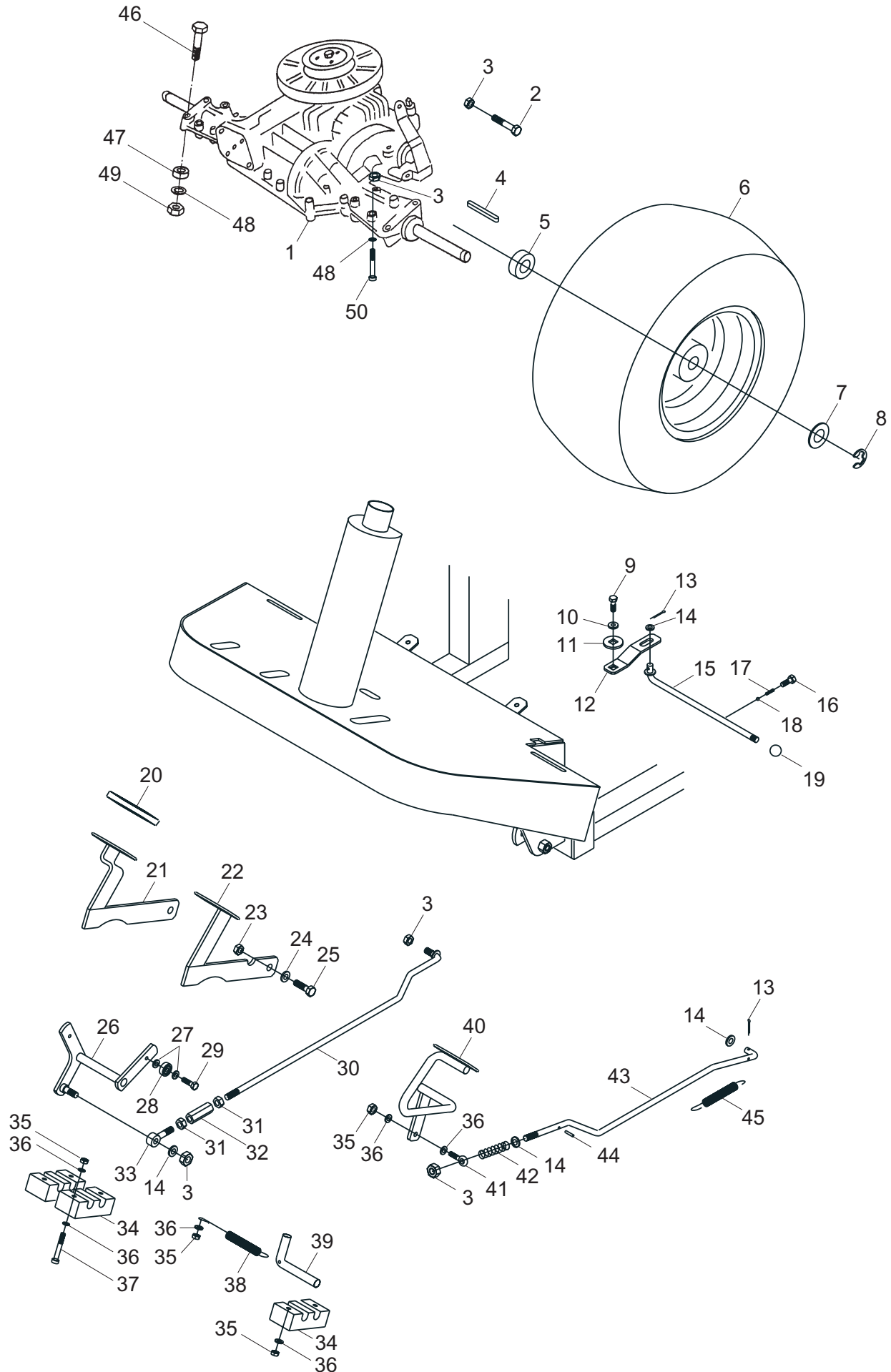


* Alternative V-belts system



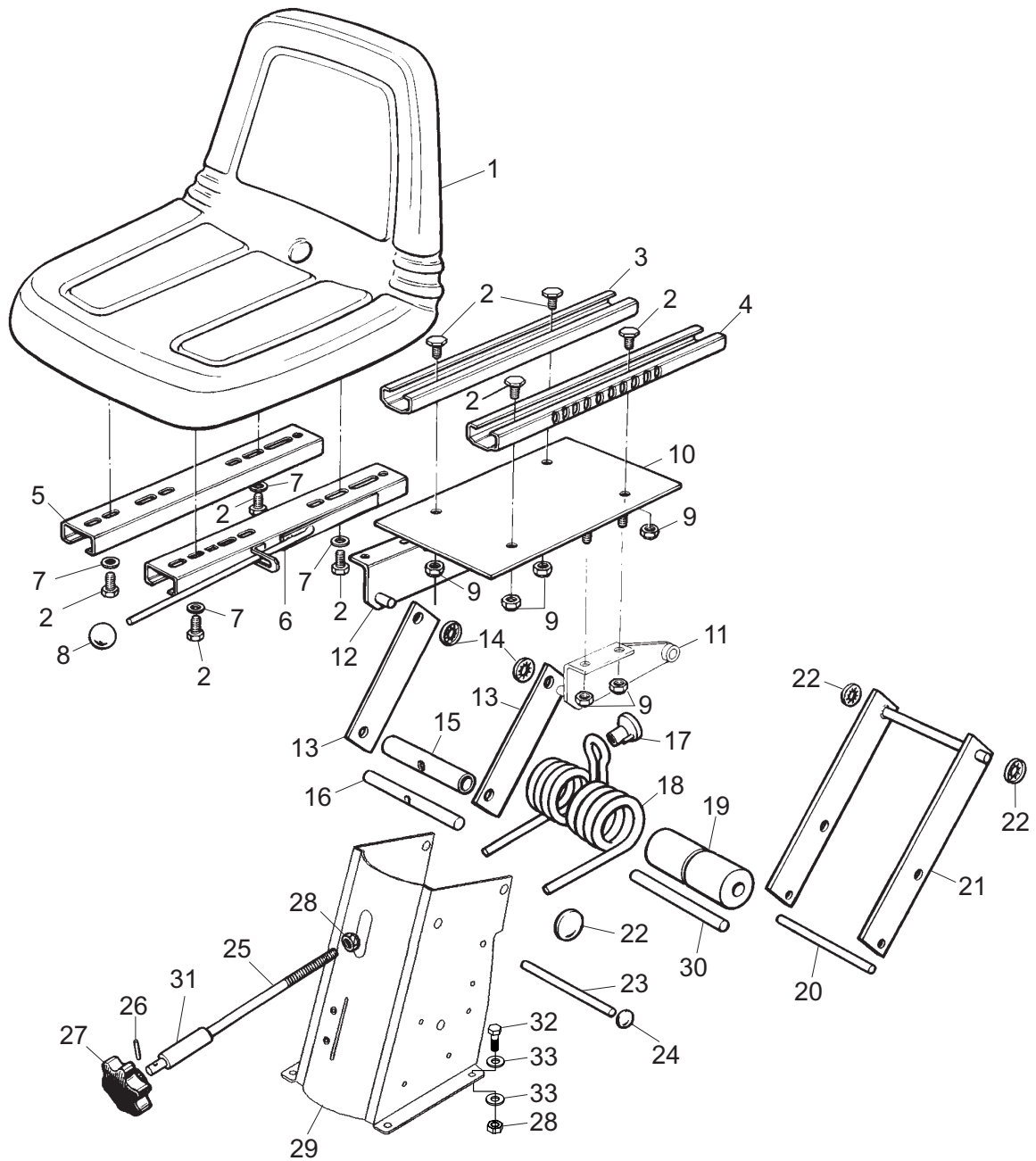


DRAWING NR.	PART NR.	DESCRIPTION	QUANT.	NOTICE
C1	54L024-0001-0010	V-belt	1	
C2	54L028-0000-0005	belt guide	1	
C3	54L003-1702-0084	washer 8,4	3	
C4	54L001-1103-0816	bolt M8 x 16	1	
C5	54L026-0001-0008	counter shaft	1	
C6	54L027-0001-0009	belt pulley	1	
C7	54L008-0014-0006	brace	1	
C8	54L001-1101-1080	bolt M10 x 80	1	
C9	54L003-1702-0105	washer 10,5	3	
C10	54L001-1101-0870	bolt M8 x 70	1	
C11	54L004-1492-0008	nut M8	1	
C12	54L024-0001-0015	V-belt	1	to series FF
C13	54L027-0002-0001	tension pulley	1	to series FF 2pc
C14	54L010-0001-0006	bush	1	to series FF
C15	54L004-1492-0008	nut M8	6	
C16	54L003-1727-0009	washer 9	2	
C17	54L025-0000-0012	tensioner	1	
C18	54L027-0002-0009	tension pulley	1	
C19	54L001-1101-0850	bolt M8 x 50	1	to series FF
C20	54L003-1702-0084	washer 8,4	4	
C21	54L030-0005-0005	tension rod	1	to series FF
C22	54L009-0001-0028	spacer	2	
C23	54L001-1187-0835	bolt M8 x 35	1	
C24	54L016-0006-0001	electric clutch	1	
C25	54L003-1727-0014	washer 14	1	
C26	54L001-0931-0004	bolt 7/16 x 2 1/2"	1	
C27	54L027-0001-0018	belt pulley	1	
C28	54L029-0000-0006	key	1	
C29	54L024-0001-0013	V-belt	1	
C30	54L001-1101-0850	bolt M8 x 50	1	
C31	54L023-0001-0015	spring	1	
C32	54L025-0000-0010	tensioner	1	
C33	54L001-0001-0012	bolt special	1	
C35	54L024-0001-0018	V-belt	2	from series GG
C36	54L027-0001-0013	belt pulley	1	from series GG
C37	54L001-1101-1010	bolt M10 x 100	1	from series GG
C38	54L026-0001-0011	counter shaft	1	from series GG
C39	54L004-1492-0010	nut M10	1	from series GG
C40	54L020-0007-0002	belt pulley bracket	1	from series GG
C41	54L001-1101-0860	bolt M8 x 60	2	from series GG
C42	54L003-1702-0084	washer 8,4	9	from series GG
C43	54L004-1492-0008	nut M8	5	from series GG
C44	54L001-1101-0840	bolt M8 x 40	1	from series GG
C45	54L030-0001-0008	rod	1	from series GG
C46	54L023-0001-0019	spring	1	from series GG
C47	54L001-0001-0013	bolt special	1	from series GG



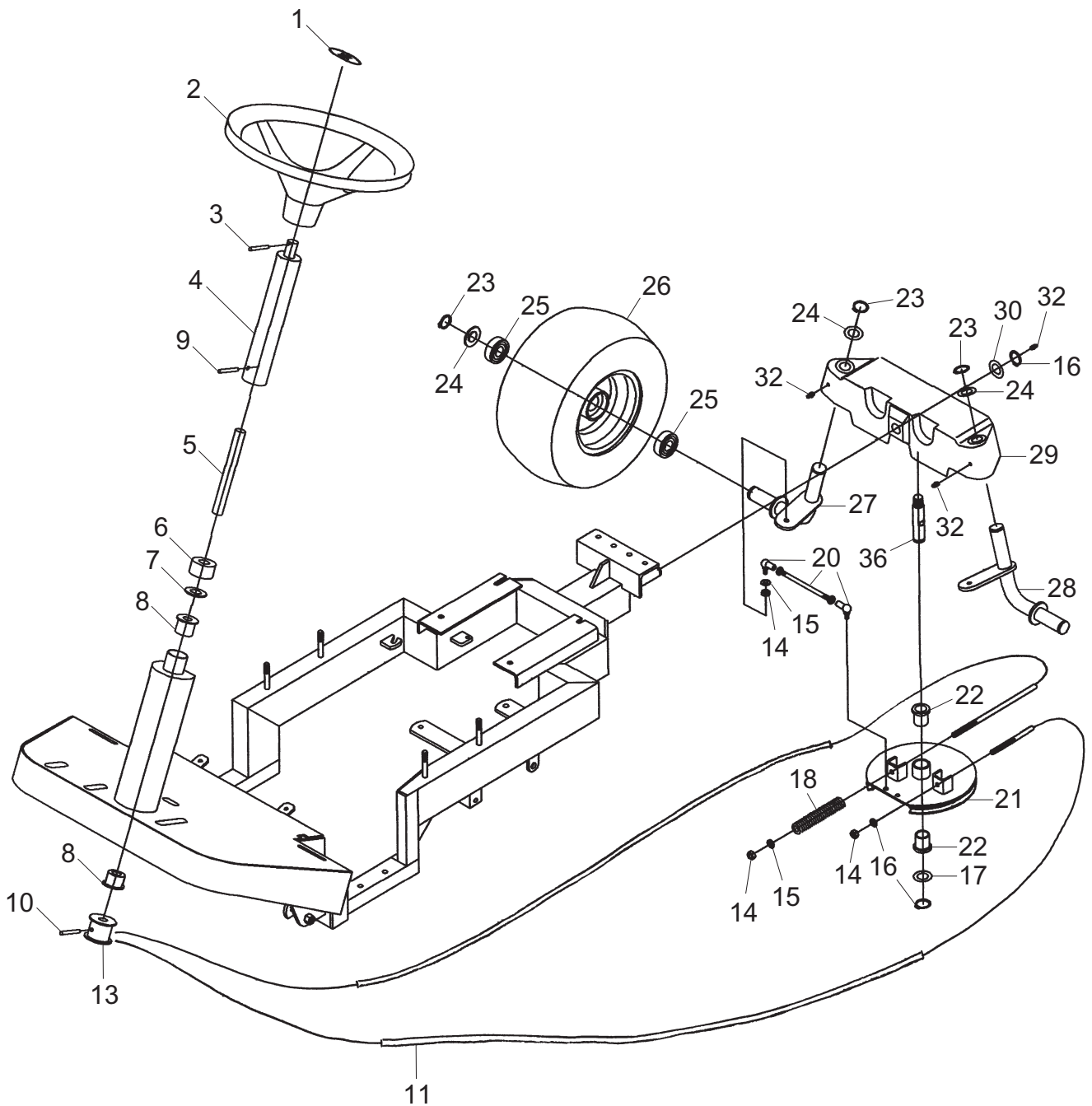


DRAWING NR.	PART NR.	DESCRIPTION	QUANT.	NOTICE
D1	54L016-0002-0004	hydro gearbox	1	Tecumseh LTH PGM 2000
D2	54L001-1101-0840	bolt M8 x 40	3	
D3	54L004-1492-0008	nut M8	5	
D4	54L029-0000-0005	key	2	
D5	54L010-0001-0007	bush	2	
D6	54L039-0000-0003	wheel	2	
D7	54L003-0000-0010	washer 1 mm		what is needed
D7	54L003-0000-0020	washer 2 mm		what is needed
D7	54L003-0000-0005	washer 0,5 mm		what is needed
D8	54L006-2929-0015	circlip 15	2	
D9	54L001-0931-0003	bolt 1/4 x 3/4"	1	
D10	54L003-1726-0053	washer 5,3	1	
D11	54L003-1728-0011	washer 11	1	
D12	54L021-0002-0011	arm	1	to series FF
D12	54L021-0002-0013	arm	1	from series GG
D13	54L011-1781-0325	split pin 3 x 25	2	
D14	54L003-1702-0084	washer 8,4	4	
D15	54L030-0001-0006	rod	1	
D16	54L001-1103-0614	bolt M6 x 14	1	
D17	54L023-0001-0014	spring	1	
D18	54L008-0008-0001	ball 4mm	1	
D19	54L015-0003-0002	ballgrip	1	
D20	54L007-0003-0001	pedal rubber	3	
D21	54L022-0002-0003	backward pedal	1	
D22	54L022-0001-0003	forward pedal	1	
D23	54L004-1492-0010	nut M10	1	
D24	54L003-1702-0105	washer 10,5	1	
D25	54L001-1101-1030	bolt M10 x 30	1	
D26	54L021-0002-0010	arm	1	for Rider 140/85
D26	54L021-0002-0014	arm	1	for Rider 140/105
D27	54L003-1702-0064	washer 6,4	2	
D28	54L035-0000-0009	bearing	2	
D29	54L001-1103-0614	bolt M6 x 14	2	
D30	54L030-0002-0002	clutch rod	1	for Rider 140/85
D30	54L030-0002-0003	clutch rod	1	for Rider 140/105
D31	54L004-1403-0008	nut M8	2	
D32	54L008-0016-0001	nut	1	
D33	54L001-0253-0840	bolt M8 x 40	1	
D34	54L015-0001-0001	bearer	3	
D35	54L004-1492-0006	nut M6	8	
D36	54L003-1702-0064	washer 6,4	13	
D37	54L001-1131-0640	bolt M6 x 40	4	
D38	54L023-0001-0005	spring	1	
D39	54L034-0001-0001	lever	1	
D40	54L022-0004-0002	brake pedal	1	
D41	54L002-1006-0620	eyescrew M6 x 20	1	
D42	54L023-0001-0003	spring	1	
D43	54L030-0003-0004	brake rod	1	
D44	54L011-2156-0316	locating pin 3 x 16	1	
D45	54L023-0001-0018	spring	1	
D46	54L001-1101-8100	bolt M8 x 100	4	
D47	54L009-0001-0027	spacer	4	
D48	54L003-1702-0084	washer 8,4	4	
D49	54L004-1492-0008	nut M8	3	
D50	54L001-1101-0835	bolt M8 x 35	1	



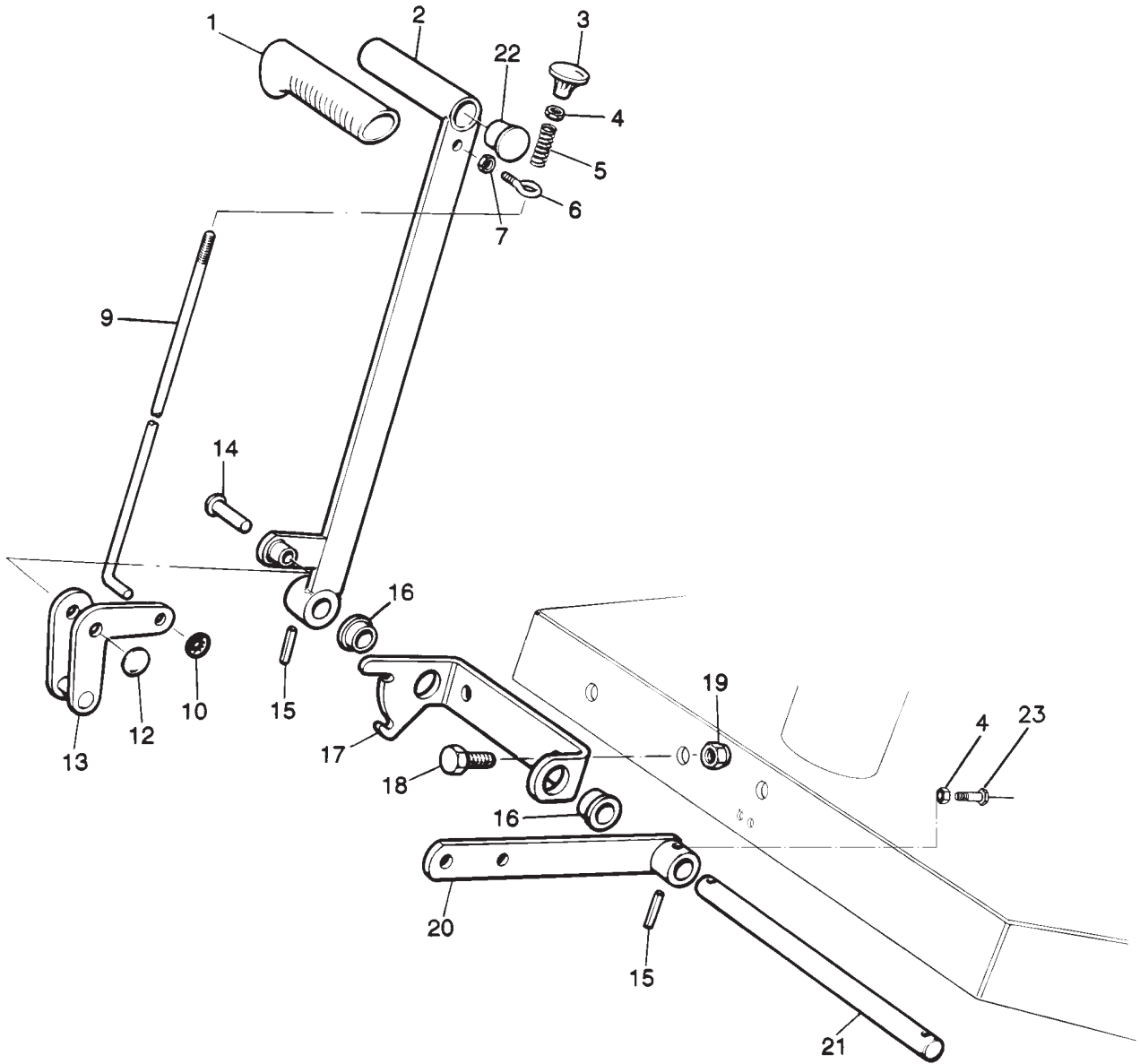


DRAWING NR.	PART NR.	DESCRIPTION	QUANT.	NOTICE
E1	54L040-0001-0002	seat 2	1	
E1	54L040-0001-0003	seat 3	1	
E2	54L001-1103-0816	bolt M8 x 16	8	
E3	54L040-0003-0004	slide right below	1	
E4	54L040-0003-0003	slide left below	1	
E5	54L040-0002-0004	slide right top	1	
E6	54L040-0002-0003	slide left top	1	
E7	54L003-1702-0084	washer 8,4	4	
E8	54L015-0002-0004	knob	1	
E9	54L004-1492-0008	nut M8	8	
E10	54L038-0001-0003	seat adjustment	1	
E11	54L020-0003-0001	seat support bracket left	1	
E12	54L020-0003-0002	seat support bracket right	1	
E13	54L037-0007-0001	pivot plate	2	
E14	54L005-0000-0002	push-on fastener	2	
E15	54L031-0000-0001	tube	1	
E16	54L032-0001-0001	shaft	1	
E17	54L008-0004-0001	spring nut	1	
E18	54L023-0002-0001	seat spring	1	
E19	54L015-0008-0001	spring pivot pin	2	
E20	54L030-0004-0001	seat rod	1	
E21	54L021-0003-0001	spring shackle	1	
E22	54L005-0000-0003	push-on fastener	4	
E23	54L032-0001-0002	shaft	1	
E24	54L005-0000-0004	push-on fastener	2	
E25	54L030-0005-0002	tension rod	1	
E26	54L011-2150-0325	locating pin 3 x 25	1	
E27	54L015-0002-0003	knob	1	
E28	54L004-1492-0008	nut M8	5	
E29	54L020-0004-0004	seat bracket	1	
E30	54L030-0001-0002	rod	1	
E31	54L031-0000-0003	tube	1	
E32	54L001-1101-0835	bolt M8 x 35	4	
E33	54L003-1702-0084	washer 8,4	8	





DRAWING NR.	PART NR.	DESCRIPTION	QUANT.	NOTICE
G1	54L044-0007-0002	sticker steering wheel	1	
G2	54L042-0003-0001	steering wheel	1	
G3	54L011-2156-0626	roll pin 6 x 26	1	
G4	54L042-0004-0001	steering column	1	
G5	54L032-0004-0002	steering column shaft	1	
G6	54L010-0002-0001	bush	1	
G7	54L003-0003-0008	thrust washer 0,8 mm		what is needed
G7	54L003-0003-0015	thrust washer 1,5 mm		what is needed
G8	54L010-0002-0002	bush	2	
G9	54L011-2156-0645	roll pin 6 x 45	1	
G10	54L011-2156-0636	roll pin 6 x 36	1	
G11	54L041-0002-0004	steering cable	1	
G13	54L042-0001-0003	steering pulley	1	
G14	54L004-1492-0008	nut M8	4	
G15	54L003-1702-0084	washer 8,4	4	
G16	54L006-2930-0020	circlip 20	2	
G17	54L003-0000-0015	washer 1,5 mm	1	
G18	54L023-0001-0008	spring	1	
G20	54L030-0007-0001	tie rod	2	
G21	54L042-0001-0002	steering pulley	1	
G22	54L010-0002-0003	bush	2	
G23	54L006-2930-0025	circlip 25	4	
G24	54L003-0001-0003	special washer 3 mm		what is needed
G24	54L003-0001-0004	special washer 2 mm		what is needed
G24	54L003-0001-0005	special washer 1 mm		what is needed
G24	54L003-0001-0012	special washer 0,5 mm		what is needed
G25	54L035-0000-0006	bearing	4	
G26	54L039-0000-0004	wheel	2	
G27	54L043-0001-0005	axle right	1	
G28	54L043-0001-0006	axle left	1	
G29	54L036-0001-0002	rear axle body	1	
G30	54L003-1702-0021	washer 21	1	
G32	54L012-7421-0006	grease nipple KM6	3	
G36	54L043-0002-0001	axle pin	1	





DRAWING NR.	PART NR.	DESCRIPTION	QUANT.	NOTICE
H1	54L015-0004-0003	handle	1	
H2	54L034-0005-0001	lift lever	1	
H3	54L015-0002-0005	knob	1	
H4	54L004-1401-0006	nut M6	2	
H5	54L023-0001-0009	spring	1	
H6	54L002-1006-0515	eyescrew M5 x 15	1	
H7	54L004-1403-0005	nut M5	1	
H9	54L030-0008-0001	push rod	1	
H10	54L005-0000-0001	push-on fastener	1	
H12	54L005-0000-0005	push-on fastener	1	
H13	54L020-0001-0003	bracket	1	
H14	54L011-0660-0830	pin 8 x 30	1	
H15	54L011-2156-0830	roll pin 8 x 30	2	
H16	54L010-0002-0004	bush	2	
H17	54L020-0001-0004	bracket	1	
H18	54L001-1103-1020	bolt M10 x 20	2	
H19	54L004-1492-0010	nut M10	2	
H20	54L021-0002-0009	lift arm	1	
H21	54L032-0003-0001	lift shaft	1	
H22	54L015-0002-0006	knob	1	
H23	54L001-1103-0620	bolt M6 x 20	1	
H1-H22	54L046-0002-0003	handle complete	1	



NOTICE

A large area of horizontal lines for writing, consisting of 30 light gray lines spaced evenly down the page.