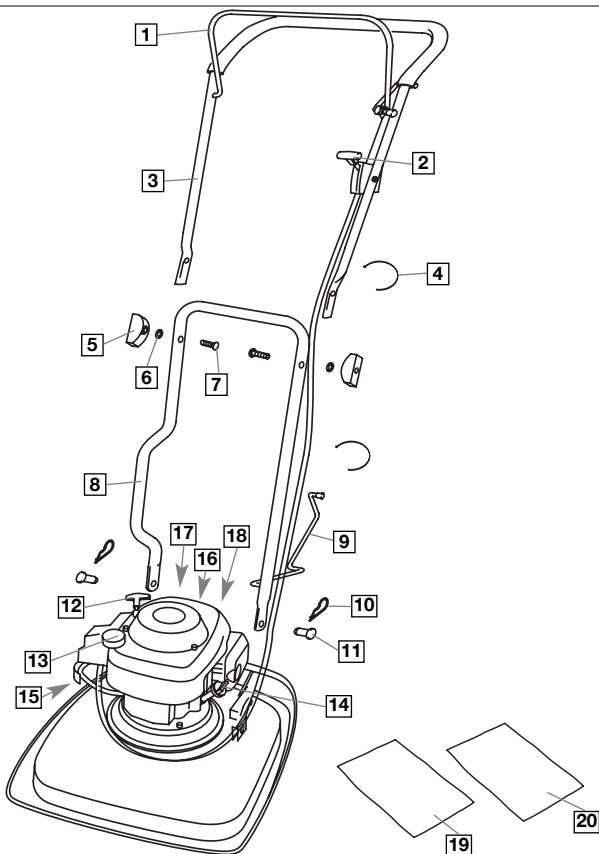


# Flymo

 Electrolux

# XL 500 XL 550



**GB**

#### IMPORTANT INFORMATION

Read before use and retain for future reference

**DE**

#### WICHTIGE INFORMATIONEN

Bitte vor dem Gebrauch sorgfältig durchlesen und für einen späteren Bezug an einem sicheren Ort aufbewahren

**FR**

#### INFORMATIONS IMPORTANTES

A lire attentivement et bien assimiler avant tout emploi

**NL**

#### BELANGRIJKE INFORMATIE

Deze informatie lezen alvorens het product in gebruik te nemen en zorgvuldig bewaren

**NO**

#### VIKTIG INFORMASJON

Les gjennom før bruk og oppbevar til fremtidig bruk

**FI**

#### TÄRKEÄÄ

Lue ennen käyttöä ja säilytä tulevan varalle

**SE**

#### VIKTIG INFORMATION

Läs detta innan du använder maskinen och spara för framtida användning

**DK**

#### VIGTIG INFORMATION

Læs før brug og gem til at kunne konsultere i fremtiden

**ES**

#### INFORMACIÓN IMPORTANTE

Léala antes de usar el aparato y guárdela como referencia futura

**PT**

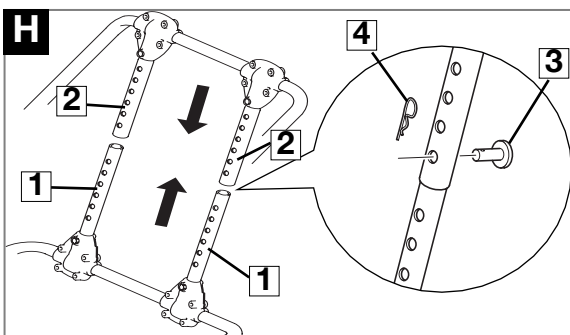
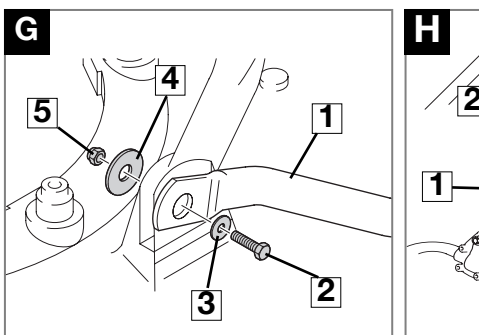
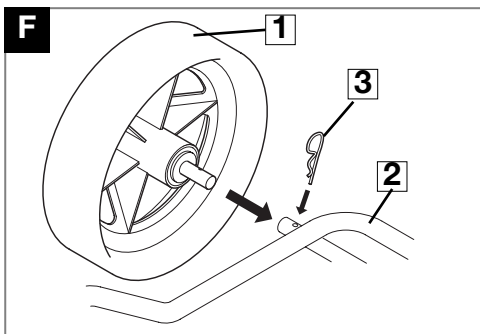
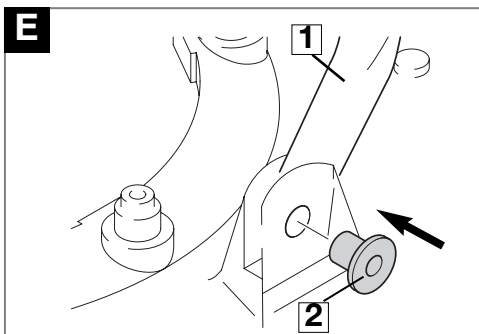
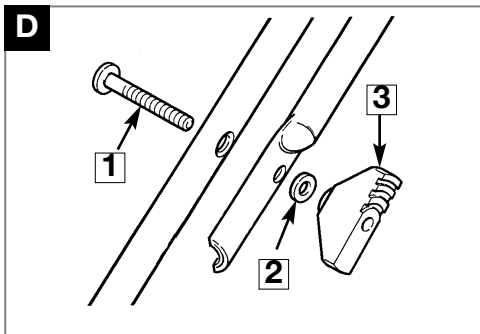
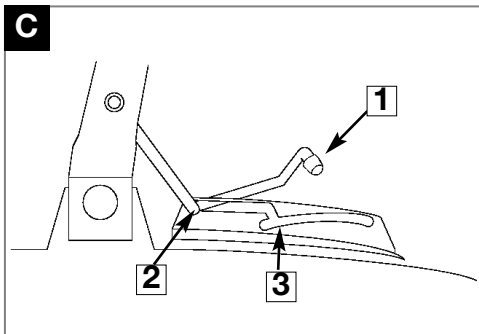
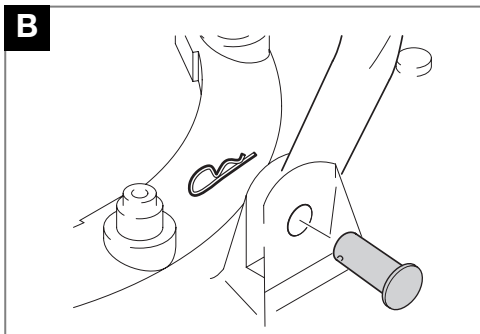
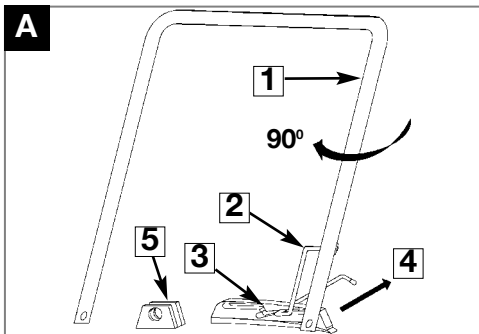
#### INFORMAÇÃO IMPORTANTE

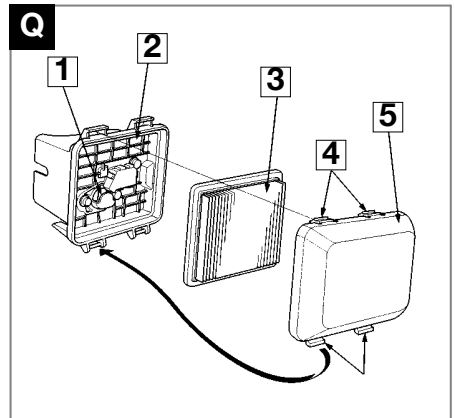
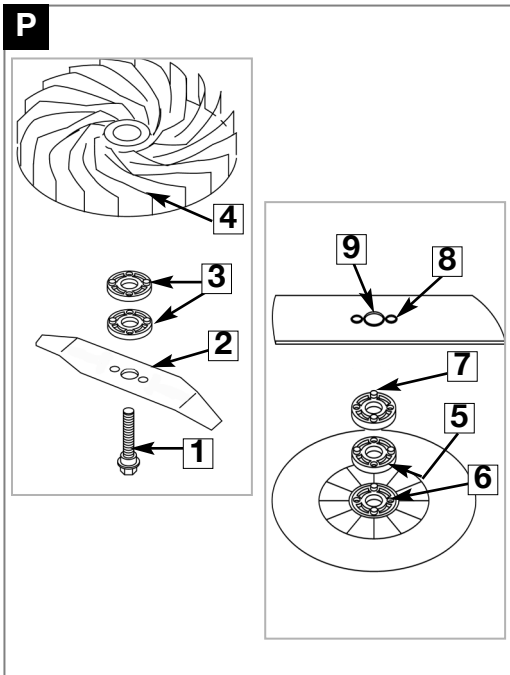
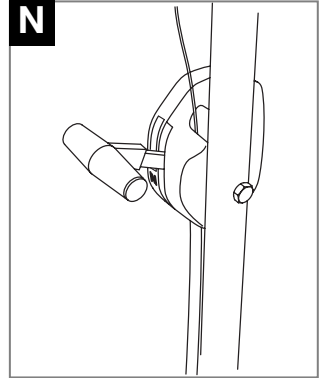
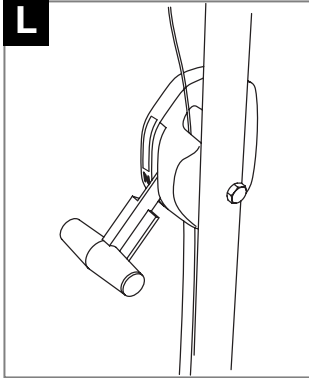
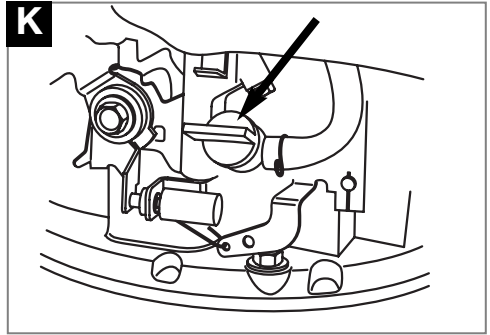
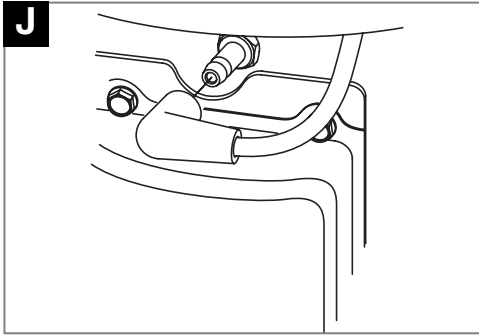
Leia antes de utilizar e guarde para consulta futura

**IT**

#### IMPORTANTE INFORMAZIONE

Leggere prima dell'uso e conservare per futuro riferimento





**GB CONTENTS - XL500/550**

1. Operator Presence Control
2. Choke Control Lever
3. Upper Handle
4. Cable Tie Wrap x 2
5. Handle Knob x 2
6. Washer x 2
7. Bolt x 2
8. Lower Handle
9. Hook Assembly
10. Lower Handle Retaining Clip x2
11. Lower Handle Pin x2
12. Starting Handle
13. Fuel Tank Cap
14. Oil Filler Cap
15. Fuel Tap
16. Spark Plug Lead
17. Rating Label
18. Warning Label
19. Instruction Booklet
20. Safety Manual

**GB CONTENTS - Wheel Frame**

21. Lower Handle
22. Wheels x 2
23. Upper telescopic tubes
24. Telescopic tube pin x 2
25. Telescopic tube retaining clip x 2
26. Lower telescopic tubes
27. Wheel retaining clips x 2
28. Wheel frame
29. Hook Assembly
30. Lower handle bolt x 2
31. Small washer x 2
32. Lower handle pin x 2
33. Large washer x 2
34. Locknut x 2

**DE INHALT - XL500/550**

1. Bedienerpräsenz-Kontrollvorrichtung
2. Chokeschalthebel
3. Oberer Griff
4. Kabelhalter x 2
5. Griffknopf x 2
6. Unterlegscheibe x 2
7. Bolzen x 2
8. Unterer Griff
9. Hakeneinheit
10. Halteklammer, unterer Griff, x 2
11. Stift, unterer Griff, x 2
12. Starterseil
13. Tankkappe
14. Öleinfüllverschluss
15. Kraftstoffhahn
16. Zündkerzenzündleitung
17. Produkttypenschild
18. Warnetikett
19. Bedienungsanleitung
20. Sicherheit handbuch

**DE INHALT - Zum Radgestell**

- gehörende Teile
1. Unterer Griff
2. Räder x 2
3. Obere Teleskoprohre
24. Teleskoprohrstift x 2
25. Teleskoprohr-Halteklammer x 2
26. Untere Teleskoprohre
27. Radhalteklammern x 2
28. Radgestell
29. Hakeneinheit
30. Bolzen, unterer Griff, x 2
31. Kleine Unterlegscheibe x 2
32. Stift, unterer Griff, x 2
33. Große Unterlegscheibe x 2
34. Sicherungsmutter x 2

**FR TABLE DES MATIÈRES - XL500/550**

1. Arceau de sécurité (CPO) (Contrôle de Présence de l'Opérateur)
2. Manette de starter
3. Poignée supérieure
4. Câble Tye Wrap x 2
5. Bouton de Guidon x 2
6. Rondelle x 2
7. Boulons x 2
8. Guidon inférieur
9. Montage du crochet
10. Attache de câble x 2
11. Bouton de poignée inférieure x 2
12. Poignée de démarrage
13. Bouchon du réservoir d'essence
14. Bouchon de remplissage d'huile
15. Robinet à essence
16. Fil de bougie
17. Plaquelet d'identification
18. Etiquette d'avertissement
19. Manuel d'instructions
20. Manuel de sûreté

**FR TABLE DES MATIÈRES - Chariot de transport**

21. Guidon inférieur
22. Roues x 2
23. Tubes télescopiques - partie supérieure
24. Goupille de tube télescopique x 2
25. Clip de retenue de tube télescopique x 2

26. Tubes télescopiques - partie inférieure
27. Clips de retenue des roues x 2
28. Cadre des roues
29. Montage du crochet
30. Boulon de poignée inférieure x 2
31. Petite rondelle x 2
32. Goupille de poignée inférieure x 2
33. Grosse rondelle x 2
34. Contre-écrou x 2

**NL INHOUD - XL500/550**

1. Operator Presence Control (OPC of Veiligheids hendel)
2. Regelhendel choke
3. Bovenste duwboom
4. Kabelklem x 2
5. Knop voor duwboom x 2
6. Ring x 2
7. Bout x 2
8. Onderstuk van duwboom
9. Haak
10. Borgclip onderste handgreep x 2
11. Bout voor onderste handgreep x 2
12. Starthendel
13. Dop voor benzinetank
14. Oil Filler Cap
15. Fuel Tap
16. Productlabel
17. Waarschuwingsetiket
18. Handboek
20. Zekerheid manueel

**NL INHOUD - Wielframe**

21. Onderstuk van duwboom
22. Wielen x 2
23. Bovenste uitschuifbare buizen
24. Pen voor uitschuifbare buis x 2
25. Borgclip voor uitschuifbare buis x 2
26. Onderste uitschuifbare buizen
27. Borgclip voor wielen x 2
28. Wielframe
29. Haak
30. Bout voor onderste handgreep x 2
31. Kleine pasring x 2
32. Pen voor onderste handgreep x 2
33. Grote pasring x 2
34. Borgmoer x 2

**NO INNHOLD - XL500/550**

1. Start/Stop bryter
2. Chokens kontrollspak
3. Øvre håndtak
4. Kabel feste x 2
5. Vingermutter (2 stk)
6. Skiver (2 stk)
7. Bolt (2 stk)
8. Nedre håndtak
9. Krokmontering (Hakemontering)
10. Låseklamme x 2 til nedre håndtak
11. Bolt x 2 til nedre håndtak
12. Starthåndtak/snor
13. Bensintanklokk
14. Oljelokk
15. Bensinkan
16. Ledning/hette for tennplugg
17. Tøpsettett
18. Advarselsetikett
19. Bruksanvisning
20. Sikkerhets håndbok

**NO INNHOLD - Hjulramme**

21. Nedre håndtak
22. Hjul x 2
23. Øvre teleskopiske rør
24. Låsepinne til teleskopisk rør x 2
25. Låseklamme til teleskopisk rør x 2
26. Nedre teleskopiske rør
27. Låseklammer til hjulene x 2
28. Hjulramme
29. Krokmontering (Hakemontering)
30. Bolt x 2 til nedre håndtak
31. Liten skive x 2
32. Låsepinne x 2 til nedre håndtak
33. Stor skive x 2
34. Låsemutter x 2

**FI SISÄLTÖ - XL500/550**

1. Käynnistyksen/pysäytys-katkaisin
2. Ryyppytusten säätövipu
3. Ylävärsi
4. Johdonpidike x 2
5. Kahvan nappi x 2
6. Pultin välirengas x 2
7. Pultti x 2
8. Alempi kahva
9. Koukku
10. Alemmän kahvan pidike x 2
11. Alemmän kahvan pultti x2
12. Käynnistyskahva
13. Polttoainesäätöjalka
14. Öljytäytötkaukon korkki
15. Polttoainehana
16. Sytytystulpan johdin
17. Tuotteen arvoklippi
18. Varoitusnimike
19. Käyttöohjeet
20. Turva käsikirja

**FI SISÄLTÖ - Pyörän runko**

21. Alempi kahva
22. Pyörä x 2
23. Ylemmät teleskooppiarvet
24. Teleskooppiarven sokka x 2
25. Teleskooppiarven pidike x 2
26. Alemmat teleskooppiarvet
27. Pyörän pidikkeet x 2
28. Pyörän runko
29. Koukku
30. Alemmän kahvan pultti x 2
31. Pieni aluslaatta x 2
32. Alemmän kahvan sokka x 2
33. Iso aluslaatta x 2
34. Lukkomutteri x 2

**SE INNEHÅLL - XL500/550**

1. Motorbromsbygel
2. Kontrollspak för choke
3. Övre handtag
4. Kabelklämma x 2
5. Vingmutter x 2
6. Bricka x 2
7. Bolt x 2
8. Nedre handtag
9. Hakenhet
10. Fasthållningsklämma för nedre handtag x 2
11. Bolt för nedre handtag x 2
12. Starthandtag
13. Tanklock
14. Lock för oljepåfyllningshåll
15. Tanklock
16. Tändkabel
17. Identifieringsetikett
18. Varningsetikett
19. Instruktionsbok
20. Säkerhets manual

**SE INNEHÅLL - Hjulram**

21. Nedre handtag
22. Hjul x 2
23. Övre teleskopiska rör
24. Sprit för teleskopiskt rör x 2
25. Fasthållningsklämma för teleskopiskt rör x 2
26. Nedre teleskopiska rör
27. Fasthållningsklämmor för hjul x 2
28. Hjulram
29. Hakenhet
30. Bolt för nedre handtag x 2
31. Liten mellanlåggsbricka x 2
32. Sprit för nedre handtag x 2
33. Stor mellanlåggsbricka x 2
34. Låsmutter x 2

**DK INDHOLD - XL500/550**

1. Start/stopkontakt
2. Chokerbetjeningsgreb
3. Øvre håndtag
4. Kabelbåndsholder x 2
5. Håndtagsskive
6. Spændeskive x 2
7. Bolt x 2
8. Nedre håndtag
9. Krogssamling
10. Clips til nederste håndtag x 2
11. Bolt til nederste håndtag x 2
12. Starthåndtag
13. Benzindæksel
14. Olepåfyldningsdæksel
15. Brændstoffhane
16. Tændrørdledning
17. Produktmærkat
18. Advarselsmærkat
19. Brugsvejledning
20. Sikkerhed håndbog

**DK INDHOLD - Hjulstel**

21. Nedre håndtag
22. Hjul x 2
23. Øverste teleskoprør
24. Teleskoprørstift x 2
25. Teleskoprørclips x 2
26. Nederste teleskoprør
27. Hjulclips x 2
28. Hjulstel
29. Krogssamling
30. Bolt til nederste håndtag x 2
31. Lille spændeskive x 2
32. Stift til nederste håndtag x 2
33. Stor spændeskive x 2
34. Låsemøtrik x 2

**ES CONTENIDO - XL500/550**

1. Interruptor de contacto
2. Palanca de control del estrangulador
3. Manillar superior
4. Sujetadores de cable x 2
5. Manija de empuñadura x 2
6. Arandela x 2
7. Perno x 2
8. Empuñadura inferior
9. Montaje del enganche
10. Clips de retención del mango inferior x2
11. Pernos del mango inferior x2
12. Manilla de arranque

**13. Tapa del tanque de combustibles**

14. Tapon de llenado de aceite
15. Tapon de combustible
16. Cable de la bujía
17. Etiqueta indicadora del producto
18. Etiqueta de Advertencia
19. Manual de Instrucciones
20. Manual de Seguridad

**ES CONTENIDO - Bastidor de las ruedas**

21. Empuñadura inferior
22. Ruedas x 2
23. Tubos telescópicos superiores
24. Pasador del tubo telescópico x 2
25. Clip de retención del tubo telescópico x 2
26. Tubos telescópicos inferiores
27. Clips de retención de las ruedas x 2
28. Bastidor de las ruedas
29. Montaje del enganche
30. Pernos del mango inferior x 2
31. Arandelas pequeñas x 2
32. Pasadores del mango inferior x 2
33. Arandelas grandes x 2
34. Contratuercas x 2

**PT LEGENDA - XL500/550**

1. Interruptor da Ligagem Desligar
2. Alavanca de Controlo da Válvula de Borboleta
3. Cabo Superior
4. Braçadeira de cabo x 2
5. Maçaneta x 2
6. Arruela x 2
7. Cavilha x 2
8. Guiador inferior
9. Conjunto do Gancho
10. Clipes de retenção da pega inferior x 2
11. Parafuso da pega inferior x 2
12. Pega de Arranque
13. Tampa do Depósito de Combustível
14. Bujão de enchimento de óleo
15. Torneira de combustível
16. Fio da vela de ignição
17. Etiqueta de Especificações do Produto
18. Etiqueta de Aviso
19. Manual de Instruções
20. Manual de segurança

**PT LEGENDA - Armação das Rodas**

21. Guiador inferior
22. Rodas x 2
23. Tubos telescópicos superiores
24. Fio de tubo telescópico x 2
25. Clipes de retenção do tubo telescópico x 2
26. Tubos telescópicos inferiores
27. Clipes de retenção das rodas x 2
28. Armação das rodas
29. Conjunto do Gancho
30. Parafuso da pega inferior x 2
31. Anilha pequena x 2
32. Pino da pega inferior x 2
33. Anilha grande x 2
34. Porca de aperto x 2

**IT INDICE CONTENUTI - XL500/550**

1. Leva comando/controllo
2. Leva di comando starter
3. Manico superiore
4. Fascette serrafilo x 2
5. Manopola dell'impugnatura x 2
6. Rondella x 2
7. Bullone x 2
8. Impugnatura inferiore
9. Gruppo ganccio
10. fermi di ritenuta impugnatura inferiore x2
11. Bulloni impugnatura inferiore x2
12. Maniglia di avviamento
13. Tappo serbatoio carburante
14. Tappo rifornimento olio
15. Rubinetto serbatoio carburante
16. Conduttore candela
17. Etichetta con dati prodotto
18. Etichetta di pericolo
19. Manuale di istruzioni
20. Manuale di sicurezza

**IT INDICE CONTENUTI - Telaio ruote**

21. Impugnatura inferiore
22. Ruote x 2
23. Tubi telescopici superiori
24. Spina tubo telescopico x 2
25. Fermo di ritenuta tubo telescopico x 2
26. Tubi telescopici inferiori
27. Fermi di ritenuta ruote x 2
28. Telaio ruote
29. Gruppo ganccio
30. Bulloni impugnatura inferiore x 2
31. Rondella piccola x 2
32. Spine impugnatura inferiore x 2
33. Rondelle grandi x 2
34. Controdadi x 2

Wheel Frame (if applicable)

Zum Radgestell gehörende Teile  
(falls zutreffend)

Chariot de transport (s'il y a lieu)

Wielframe (indien van toepassing)

Hjulramme (om relevant)

Pyörän runko (jos käytössä)

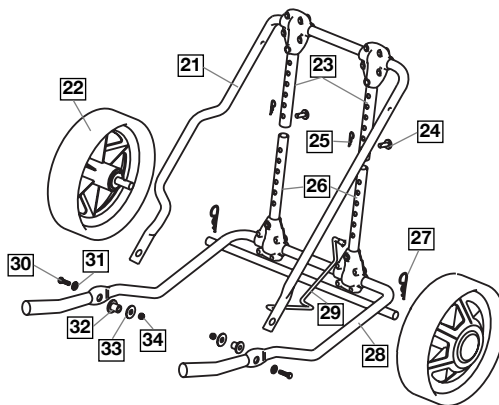
Hjulram (där sådan finns)

Hjulstel (hvis relevant)

Bastidor de las ruedas (si fuera aplicable)

Armação das Rodas (se aplicável)

Telaio ruote (se in dotazione)



## Assembly (without wheels)

### Fitting the Lower Handle to the Lawnmower

1. Feed the hook (A2) attached to the lower handle (A1) halfway through the centre slot of the guide (A3), in the direction indicated by the arrow (A4).
2. Maintaining the hook (A2) in the centre slot of the guide (A3) turn the lower handle (A1) clockwise through 90° to place both legs of the lower handle in position between the hood brackets (A5).
3. Insert the pins (B1) and secure with the retaining clips (B2).

### Fitting the Upper Handle to the Lower Handle

**BEFORE** fitting the upper handle to the lower handle, stabilize the lower handle by lifting the hook (C1) to the 'parking' position (C2).

1. Ensure the Choke Control Lever is on the left hand side when viewed from the rear.
2. Align the lower and upper handle (See fig D). Locate the bolts (D1), washers (D2) and secure with the handle knobs (D3).
3. Fit the cables to the handles with the cable ties provided, making sure the cables are not trapped between the upper and lower handles.

## Assembly (with wheels)

1. Fit the lower handle (E1) to the deck with the lower handle pin (E2) as illustrated in Fig E.
2. Attach the wheels (F1) to the wheel frame (F2) with the wheel retaining clips (F3) as illustrated in Fig F.
3. Fit the wheel frame (G1) to the deck with the lower handle bolt (G2), small washer (G3), large washer

(G4) and locknut (G5) as illustrated in Fig G.

4. Locate the lower telescopic tubes (H1) inside the upper telescopic tubes (H2) and secure with the pin (H3) and retaining clip (H4) as illustrated in Fig H.

**Fit the Upper Handle to the Lower Handle by following the instructions above in 'Assembly (without wheels)' section.**

## Handle Position

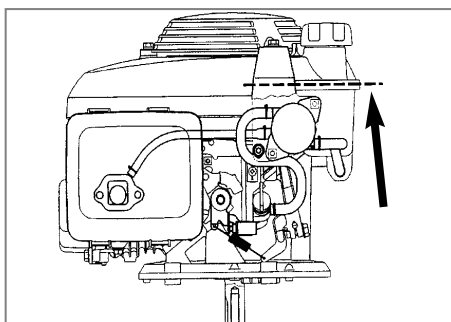
The handle position can be adjusted using the guide and hook assembly.

1. Lift hook (C1).

2. Position as required:  
(C2) Parking position  
(C3) Mowing position

## Fuel

**Use a fresh, clean, unleaded regular automotive gasoline** Do not fill the fuel tank in an enclosed area, when the engine is hot or while you are smoking or near a naked flame. Thoroughly clean around the fuel tank filler cap before filling, this will help to prevent dirt being introduced into the fuel system. Fuel should be stored in a cool place away from naked flames. Do not fill the tank while the engine is running. Fill the fuel tank through a funnel fitted with a fine filter. **Never** fill fuel tank completely, only fill to the base of the filler neck. When filling the fuel tank from empty, or when the engine has previously run dry, a minimum of 400cc of fuel must be added (to the level of the line indicated in the diagram) to ensure correct priming of the fuel pump to start the engine. Your carburettor is pre-set. Normally no further adjustment is required.



## Oil

**Use 4-stroke automotive detergent oil. SAE 10W-30 is recommended for general use.**

**Fill with oil as instructed in your Engine Owners Manual provided with your product.**

## Starting and Stopping

### To Start your Lawnmower

1. Move the handle to the parking position **(C2)**.
2. Connect the spark plug lead. **(J)**.
3. Open the fuel tap **(K)**.
4. Move the Choke control lever to the 'Choke' position **(L)** when starting from cold, and to the 'Run' position **(N)** when starting from hot.
5. Pull and firmly hold the Operator Presence Control to the upper handle.
6. Place your right foot firmly on the deck and grasp the top of the lower handle with your left hand. Tilt the trimmer towards you **(M)**. This ensures the product is in a secure position when starting and also prevents an unsightly ring being cut in your lawn.
7. Pull the starting handle gently until you feel a resistance, return the starting handle slowly.

8. Pull the starting handle firmly towards you to its full extent.
9. Allow the engine to reach its full running speed then gently lower the lawnmower to the ground.
10. When the engine has warmed up make sure the choke control lever is in the 'Run' **(N)** position.

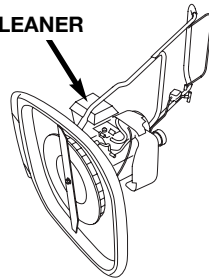
### To Stop your Lawnmower

- **Blade continues to rotate after the machine has switched off, rotating blades can cause injury.**
1. Release the Operator Presence Control.
  2. As the engine dies, tilt the lawnmower slightly. This prevents a ring being cut in your lawn.
  3. When the engine has stopped, lower the lawnmower to the ground.
  4. Put the handle in the Parking position **(C2)**.
  5. Close the fuel tap **(K)**.

## IMPORTANT

**Before any servicing to the underside of your machine, close the fuel tap, let the engine run until it stops, disconnect the spark plug lead and TIP THE MACHINE ON ITS SIDE WITH THE AIR CLEANER UPPERMOST.**

AIR CLEANER



**TIP  
THIS  
WAY  
ONLY**

## Adjusting the cutting height

### Adjusting the Cutting Height

- **Never use more than 2 cutting height spacers.**
  - **Spacers can only be fitted between the blade and the fan and never between blade and the bolt (P).**
1. Ensure the Operator Presence Control is released, when the engine has stopped rotating - disconnect the spark plug lead.
  2. Close the fuel tap **(K)**. Turn your lawnmower on its side.
  3. Remove the blade bolt **(P1)** and blade **(P2)** as described in 'Removing the Blade and Fan'.
  4. **For a Lower Cut - Add spacers (P3) to a maximum of 2.**
  5. **For a Higher Cut -** Take spacers **(P3)** away.
  6. Refit the blade as described in 'Fitting the Blade and Fan'.

### How to Mow

1. Place the handle in the mowing position **(C3)**.
  2. Mow twice a week in the growing season. Your lawn will suffer if more than one third of its length is cut at one time.
- **Keep hands and feet away from the blade, a rotating blade cannot be seen.**
  - **Mowing on banks and slopes can be dangerous. Do not mow on steep slopes.**
  - **Always keep your feet on flat ground with the mower below you on the slope and with the spark plug uppermost to avoid lubricating oil running into the cylinder.**
  - **Do not use this mower on slopes which are wet or more than 45° from horizontal.**
  - **Never push the mower up the slope.**

## Removing & Fitting the Blade & Fan

### WARNING

- **Always handle the blade with care - sharp edges could cause injury. USE GLOVES**
- **Spark plug lead may be hot - handle with care.**

### Removing the Blade and Fan

- **Renew your metal blade after 50 hours mowing or 2 years whichever is the sooner - regardless of condition.**
  - **If the blade is cracked or damaged replace it with a new one.**
1. Ensure the Operator Presence Control is released, when the engine has stopped and the blade has stopped rotating - disconnect the spark plug lead.
  2. Fully close the fuel tap **(K)**.
  3. Turn your lawnmower on its side with the air cleaner uppermost **(see pic above)**.
  4. To remove the blade bolt **(P1)**, hold the fan **(P4)** firmly and with the spanner provided loosen the blade bolt by turning it anti-clockwise.
  5. Remove the blade bolt **(P1)**, blade **(P2)**, spacers **(P3)** and fan **(P4)**.
  6. Inspect for damage and clean as necessary.

### Fitting the Blade and the Fan

- **Before using the lawnmower, always visually inspect to see that blades and bolts are not worn or damaged.**
  - **Never use more than 2 cutting height spacers.**
  - **Spacers can only be fitted between the blade and the fan and never between blade and the bolt.**
1. Ensure the fan is located correctly.
  2. Place the spacers **(P3)** onto the fan ensuring the pegs **(P5)** have located into the holes **(P6)**.
  3. Place the blade **(P2)** onto the spacers **(P3)** ensuring the pegs **(P7)** have located into the holes **(P8)** on the blade and ensuring the blade is positioned as illustrated in **Figure P**.
  4. Place the blade bolt **(P1)** through the centre hole **(P9)** of the blade.
  5. Tighten down clockwise by hand.
  6. Hold the fan firmly and tighten the blade bolt with the spanner provided.

## Spark Plug

An oily or carboned spark plug makes starting difficult and decreases the efficiency of the engine. Periodically remove the spark plug and clean and adjust when necessary.

Gap setting 0.028 - 0.031".

Do not remove spark plug when engine is hot. Do not sand blast the spark plug to clean it.

## Cleaning the Air Filter

**Q1 - Air Duct, Q2 - Air Cleaner Body, Q3 - Filter, Q4 - Latch Tabs, Q5 - Air Cleaner Cover**

Never run the engine without a filter or with a dirty filter. This will greatly reduce engine efficiency and lead to engine damage.

Your lawnmower is fitted with an Air Cleaner, the maintenance for which is as follows:-

- **Check the filter before each use.**
- **Clean every 25 hrs or more frequently when used in dusty areas.**
- **Replace filter every 200 hrs.**

1. Press the latch tabs on the top of the air cleaner cover and remove the cover.
2. Check the filter is clean and in good condition.

**If the filter is dirty:-**

- Tap the air filter several times on a hard surface to remove dirt, or blow compressed air through the air filter from the clean side that faces the engine. Never try to brush off dirt. Brushing will force dirt into the fibers.
3. Wipe dirt from the air cleaner body and cover using a moist rag. Be careful to prevent dirt from entering the air duct that leads to the carburetor.
4. Replace the filter and air cleaner cover.

## Caring for your Lawnmower

**If you do not intend to use your lawnmower for long periods it is advisable to follow this procedure after use:**

1. Stop the engine.
2. Fully close the fuel tap. **(K)**
3. Restart the engine.
4. As fuel runs out the engine will begin to stop, tilt the lawnmower slightly.
5. Once the engine has stopped, release the Operator Presence Control.
6. Disconnect the spark plug lead.
7. Remove all fuel from the fuel tank.

**Cleaning - USE GLOVES**

- **Keep your lawnmower clean - grass clippings left in any of the air intakes, around the engine or under the deck could become a potential fire hazard.**
  - **Do not clean with chemicals, including petrol, or solvents - some can destroy critical plastic parts.**
1. Remove grass from under the deck with a piece of wood or similar.
  2. Using a soft brush - remove grass clippings from around the engine and from all air intakes.
  3. Remove the fan, **See 'Removing and Fitting the Blade and Fan'**, and clean with a soft brush.
  4. Wipe over the surface of your lawnmower with a dry cloth.

**Transporting your Lawnmower**

- Turn the fuel tap to the off position and transport with the engine in a horizontal position.
- Never transport the lawnmower when it is running.

**Storing Your Lawnmower**

Turn the fuel tap to the off position and store in a cool, dry, damp-proof and safe place with the engine in a horizontal position. Service your lawnmower after the last cut of the year as follows:-

**At the end of the Mowing Season**

1. Stop the engine.
2. Fully close the fuel tap. **(K)**
3. Restart the engine.
4. As fuel runs out the engine will begin to stop, tilt the lawnmower slightly.
5. Once the engine has stopped, release the Operator Presence Control.
6. **Disconnect the spark plug lead.**
7. Remove all fuel from the fuel tank.
8. Remove the spark plug lead and spark plug. Pour one teaspoon (5ml) of oil through the spark plug hole. Pull the starting handle 2 or 3 times. This will distribute oil on the internal surfaces of the engine. Inspect, clean and replace the spark plug. If a new spark plug is required contact your local approved Electrolux Outdoor Products Service Centre/Dealer. **Do not re-connect the spark plug lead.**
9. Clean the air filter. **See 'Cleaning the Air Filter'.**
10. Renew the blade if it is cracked, damaged or bent. Renew the blade bolt if necessary. **See 'Removing and Fitting the Blade and Fan' for complete instructions.**
11. Use only genuine Flymo parts and accessories specified for this product.
12. Clean your lawnmower thoroughly **See 'Cleaning'.**
13. Your local approved **Electrolux Outdoor Products Service Centre/Dealer** will carry out any service or repairs required.
14. Store your lawnmower in a cool, dry, damp-proof and safe place.

## Fault Finding

**Engine Will Not Start**

1. Ensure that the Operator Presence Control is gripped firmly to the upper handle.
2. Check that there is sufficient fuel in the fuel tank and the fuel tap is open
3. Check that the choke control lever is in the correct position:- 'Run' position **(N)** - for a hot engine, 'Choke' position **(L)** - for a cold engine.
4. The engine may have flooded. Remove and dry the spark plug.
5. Petrol may be stale, replace. Once the petrol has been replaced, it may take a little time for fresh petrol to filter through.
6. Check that the blade bolt is tight. A loose blade bolt could cause difficult starting.
7. **If the engine will still not start - disconnect the spark plug lead and consult your local approved Electrolux Outdoor Products Service Centre/Dealer.**

**Poor Flotation or Lack of Power**

1. Disconnect the spark plug lead.
2. Clean the underside of the hood, the air filter, the fan, around the engine and the air intakes.
3. Check that the engine choke control lever is in the 'Run' position. **(N)**
4. Petrol may be stale, replace. Once the petrol has been replaced, it may take a little time for fresh petrol to filter through.
5. **If poor flotation or lack of power persists - disconnect the spark plug lead and consult your local approved Electrolux Outdoor Products Service Centre/Dealer.**

**Excessive Vibration**

1. Disconnect the spark plug lead.
2. Check that the blade is correctly fitted. **'See 'Fitting and Removing the Blade and the Fan'.**
3. If the blade is damaged or worn, renew the blade.
4. **If vibration persists - do not use - disconnect the spark plug lead and consult your local approved Electrolux Outdoor Products Service Centre/Dealer.**

## Montage (ohne Räder)

### Montage des unteren Griffbügels an den Rasenmäher

1. Führen Sie den Haken **(A2)** am unteren Griff **(A1)** halb durch den Mittelschlitz der Führung **(A3)** in der vom Pfeil **(A4)** angegebenen Richtung.
2. Halten Sie den Haken **(A2)** im Mittelschlitz der Führung **(A3)**, drehen Sie den unteren Griff **(A1)** im Uhrzeigersinn um 90°, so daß sich die beiden Füße des unteren Griffs in Position zwischen der Haubenhalterung **(A5)** befinden.
3. Stifte **(B1)** einsetzen und mit Befestigungsklammern **(B2)** sichern.

**Montage des oberen Griffs an den unteren Griff**  
VOR Montage des oberen Griffs an den unteren Griff unteren Griff durch Heben des Einhängehakens **(C1)** in Parkstellung **(C2)** stabilisieren.

1. Es muss sichergestellt werden, dass sich der Choke-Schalthebel von hinten gesehen auf der linken Seite befindet.
2. Den unteren und oberen Griffbügel zueinander ausrichten (siehe Bild D). Die Schrauben **(D1)** und die Scheiben **(D2)** montieren und mit Schraubknöpfen **(D3)** festziehen.
3. Die Kabel mit den gelieferten Kabelbändern an den Griffen befestigen. Dabei muß sichergestellt werden, daß die Kabel nicht zwischen den oberen und unteren Griffen eingeklemmt werden.

## Montage (mit Räder)

1. Den unteren Griff **(E1)** mit Hilfe des Stifts **(E2)** an der Haube befestigen (siehe Abb. E).
2. Die Räder **(F1)** mit den Radhalteklammern **(F3)** am Radgestell **(F2)** befestigen (siehe Abb. F).
3. Das Radgestell **(G1)** mit dem unteren Griffbolzen **(G2)**, der kleinen Unterlegscheibe **(G3)**, der großen Unterlegscheibe **(G4)** und der Sicherungsmutter **(G5)**

- an der Haube installieren (siehe Abb. G).
4. Die unteren Teleskoprohre **(H1)** in die oberen Teleskoprohre **(H2)** schieben und mit dem Stift **(H3)** und der Halteklammer **(H4)** sichern (siehe Abb. H).

**Den oberen Griff am unteren Griff anbringen und dabei die oben unter 'Montage (ohne Räder)' angegebenen Anweisungen befolgen.**

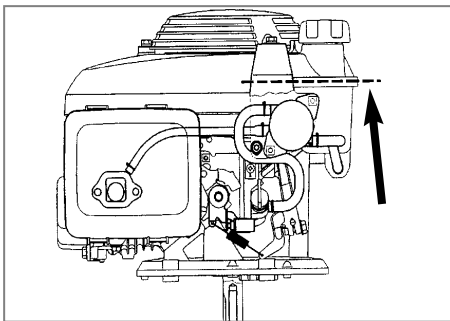
## Position des Griffes

Die Position des Griffes kann unter Verwendung der Führungs- und Einhängeeinheit eingestellt werden. Zur Einstellung der Griffposition

1. Einhängehaken heben **(C1)**
2. In die gewünschte Stellung bringen: **(C2)** Parkstellung, **(C3)** Mähstellung

## Kraftstoff

**Frisches, sauberes, bleifreies Normalbenzin verwenden.** Den Kraftstofftank nicht in einem geschlossenen Bereich, bei heißem Motor, während geraucht wird oder in der Nähe einer nackten Flamme füllen. Vor dem Füllen muss der Bereich um den Einfüllverschluss gründlich gesäubert werden, damit verhindert werden kann, dass Schmutz in das Kraftstoffsystem gelangt. Den Kraftstoff an einem kühlen Ort, weg von nackten Flammen, aufbewahren. Den Tank nicht füllen, während der Motor läuft. Den Kraftstofftank mit Hilfe eines Trichters, in den ein feiner Filter installiert ist, füllen. Den Kraftstofftank niemals bis zum Rand, sondern nur bis zum Boden des Tankeinfüllstutzens füllen. Wenn der Kraftstofftank leer war oder der Motor davor trocken gelaufen ist, muss mindestens 400cc Kraftstoff eingefüllt werden (**bis zur in der Abbildung angegebenen Linie**). Dadurch wird ein ausreichendes Füllen der Kraftstoffpumpe zum Starten des Motors sichergestellt. Der Vergaser ist voreingestellt, und normalerweise ist keine Nachstellung erforderlich.



## Öl

**Waschaktives Viertakt-Kraftfahrzeugöl verwenden; es wird SAE 10W-30 für allgemeine Zwecke empfohlen.**

**Das Öl gemäß den in Ihrem Benutzerhandbuch angegebenen Anweisungen einfüllen.**

## Starten und Stoppen

### Anlassen Ihres Rasenmähers

1. Den Griffbügel in die Parkstellung **(C2)** schwenken.
2. Den Zündkerzenstecker aufstecken. **(J)**
3. Den Kraftstoffhahn **(K)** öffnen.
4. Den Choke-Schalthebel bei einem Kaltstart in die 'Choke'-Position **(L)** und bei einem Warmstart in die 'Normal'-Position **(N)** bringen.
5. Den Bedienerhebel zum oberen Griff ziehen und festhalten.
6. Setzen Sie Ihren rechten Fuß fest auf das Gestell auf und ergreifen Sie das obere Ende des unteren Bügels mit Ihrer linken Hand. Kippen Sie den Trimmer in Ihre Richtung. **(M)** Damit wird eine sichere Stellung des Gerätes beim Anlassen gewährleistet und auch verhindert, dass ein hässlicher Ring in Ihren Rasen geschnitten wird.
7. Den Anlasser gleichmäßig bis zum einem fühlbaren Widerstand anziehen und danach langsam wieder zurücklassen.

8. Den Anlassergriff fest bis zur vollen Länge zu sich hinziehen.
9. Abwarten, bis der Motor seine volle Drehzahl erreicht hat. Dann den Rasenmäher in die gerade Stellung auf den Boden ablassen.
10. Wenn der Motor warm ist, daran denken, den Regelhebel in die 'normal'-Stellung **(N)** zu schieben.

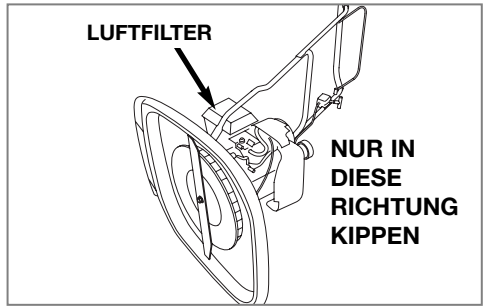
### Anhalten des Rasenmähers

- **Nach dem Abschalten der Maschine rotiert der Messerbalken noch weiter - Vorsicht, Verletzungsgefahr.**
1. Den Bedienerhebel loslassen.
  2. Bei abwürgendem Motor Rasenmäher geringfügig kippen. Dadurch wird verhindert, daß ein Ring in Ihren Rasen geschnitten wird.
  3. Sobald der Motor steht, den Rasenmäher gerade auf dem Boden abstellen.
  4. Den Griffbügel in die Parkstellung **(C2)** schwenken.
  5. Den Kraftstoffhahn **(K)** schließen.



## WICHTIG

Bevor die Unterseite des Rasenmähers berührt werden darf, muss der Kraftstoffhahn geschlossen, gewartet werden, bis der Motor zum vollständigen Stillstand gekommen ist, die Zündkerzenzuleitung getrennt und DER RASENMÄHER AUF DIE SEITE GEKIPPT WERDEN, WOBEI SICH DER LUFTFILTER OBEN BEFINDEN MUSS.



## Einstellung der Schnitthöhe

- Zum Verstellen der Schnitthöhe sollten nicht mehr als 2 Distanzscheiben verwendet werden.
  - Die Abstandsscheiben dürfen nur zwischen dem Messerbalken und dem Turbinenrad eingefügt werden und nicht zwischen dem Messerbalken und der Schraube. (P)
1. Darauf achten, daß der Bedienerhebel losgelassen wurde. Das Zündkerzenkabel abziehen, wenn der Motor stillsteht.
  2. Den Kraftstoffhahn (K) schließen. Den Rasenmäher auf die Seite legen.
  3. Die Messerbefestigungsschraube (P1) und das Messer (P2) gemäß dem Abschnitt 'Messer und Gebläse ausbauen' entfernen.
  4. Kurzer Schnitt: bis zu 2 Distanzscheiben (P3) einsetzen.
  5. Langer Schnitt: Distanzscheiben (P3) entfernen.
  6. Das Messer gemäß dem Abschnitt 'Messer und Gebläse einbauen' wieder installieren.

### Anleitung zum Rasenmähen

1. Den Griff in die Mähposition (C3) bringen.
  2. Während der Wachstumsperiode zweimal pro Woche mähen. Ihr Rasen leidet, wenn mehr als ein Drittel der Halmlänge auf einmal geschnitten wird.
- Es ist darauf zu achten, daß sich Hände und Füße nicht in der Nähe des Messerbalkens befinden - ein rotierender Messerbalken ist nicht sichtbar.
  - Das Mähen an Böschungen und Hängen kann gefährlich sein. Beim Mähen nicht an steilen Hängen stehen.
  - Es muss darauf geachtet werden, dass Sie auf flachem Boden stehen und sich der Rasenmäher unter Ihnen am Hang befindet. Überdies muss die Zündkerze oben liegen, damit kein Schmieröl in den Zylinder laufen kann.
  - Den Rasenmäher nicht an nassen oder zu steilen Hängen (mit einem Gefälle von mehr als 45%) verwenden.
  - Den Rasenmäher niemals den Hang hinaufschieben.

## Entfernen und Befestigen von Messerbalken und Turbinenrad

Gehen Sie stets vorsichtig mit dem Messerbalken um, da die scharfen Kanten Verletzungen verursachen können. **HANDSCHUHE VERWENDEN**

Vorsicht - das Zündkerzenkabel ist möglicherweise warm.

### Entfernen von Messerbalken und Turbinenrad

- Der Metallmesserbalken sollte unabhängig von seinem Zustand nach 50 Betriebsstunden bzw. nach 2 Jahren ausgetauscht werden - je nachdem, was zuerst eintrifft.
  - Der Messerbalken ist auszutauschen, wenn er einen Riß oder Schaden aufweist.
1. Darauf achten, daß der Bedienerhebel losgelassen wurde. Das Zündkerzenkabel abziehen, wenn der Motor stillsteht und der Messerbalken nicht mehr rotiert.
  2. Den Kraftstoffhahn (K) vollständig schließen.
  3. Den Rasenmäher auf die Seite kippen, wobei sich der Luftfilter oben befinden muss (siehe Abbildung oben).
  4. Beim Entfernen der Messerbalken-Gewindeschraube (P1) das Turbinenrad (P4) festhalten. Die Messerbalken-Gewindeschraube mit dem beiliegenden Schraubenschlüssel nach links drehen und lösen.
  5. Messerbalken-Gewindeschraube (P1), Messerbalken (P2), Distanzscheiben (P3) und Turbinenrad entfernen (P4).
  6. Die Teile auf Schäden hin prüfen und bei Bedarf reinigen.

### Befestigen von Messerbalken und Turbinenrad

- Vor dem Befestigen ist stets zu prüfen, ob Messerbalken oder Schraube sichtbare Verschleißstellen oder Schäden aufweisen.
  - Zum Verstellen der Schnitthöhe sollten nicht mehr als 2 Distanzscheiben verwendet werden.
  - Die Distanzscheiben dürfen nur zwischen dem Messerbalken und dem Turbinenrad eingefügt werden und nicht zwischen dem Messerbalken und der Gewindeschraube.
1. Sicherstellen, daß sich das Turbinenrad in der korrekten Position befindet.
  2. Die Distanzscheiben (P3) auf das Turbinenrad legen und darauf achten, daß die Bolzen (P5) in den Löchern (P6) eingefügt sind.
  3. Den Messerbalken (P2) auf die Distanzscheiben (P3) legen und sicherstellen, daß die stollen (P7) in den Löchern (P8) des Messerbalkens eingefügt sind und daß sich der Messerbalken in der in Abbildung P dargestellten Position befindet.
  4. Die Messerbalken-Gewindeschraube (P1) in das Loch in der Mitte (P9) des Messerbalkens einfügen.
  5. Die Schraube mit der Hand nach rechts drehen.
  6. Das Turbinenrad festhalten und die Messerbalken-Gewindeschraube mit dem beiliegenden Schraubenschlüssel festziehen.

## Zündkerze

Durch eine schmierige oder geschwärzte Zündkerze wird das Starten erschwert und das Leistungsvermögen des Motors reduziert. Deshalb muss die Zündkerze regelmäßig ausgebaut und je nach Bedarf gesäubert und nachgestellt werden.

Korrekte Abstandseinstellung: 0,028 - 0,031 Zoll.  
Die Zündkerze darf nicht entfernt werden, während der Motor noch warm ist. Zur Säuberung der Zündkerze kein Sandstrahlverfahren verwenden.

## Reinigung des Luftfilters

- Q1 – Luftkanal, Q2 – Luftfiltergehäuse, Q3 – Filter, Q4 – Schnappverschlüsse, Q5 – Luftfilterabdeckung**  
Den Motor niemals ohne Filter oder mit einem schmutzigen Filter laufen lassen, da dadurch das Leistungsvermögen des Motors beträchtlich reduziert und der Motor beschädigt wird. Ihr Rasenmäher ist mit einem Luftfilter versehen. Dieser muss wie folgt gewartet werden:
- **Den Filter vor jeder Verwendung überprüfen.**
  - **Den Filter alle 25 Stunden, oder bei der Verwendung in staubigen Bereichen auch häufiger, reinigen.**
  - **Den Filter nach jeweils 200 Stunden auswechseln.**
1. Die Schnappverschlüsse oben an der Luftfilterabdeckung drücken und die Abdeckung entfernen.

2. Überprüfen, ob der Filter sauber und in gutem Zustand ist.  
**Bei schmutzigem Filter:**  
Den Luftfilter zur Schmutzentfernung mehrmals gegen eine harte Oberfläche klopfen oder Druckluft durch den Luftfilter von der sauberen Seite, die in Richtung Motor zeigt, blasen. Schmutz niemals mit einer Bürste entfernen, da dieser dadurch nur in die Fasern gedrückt wird.
3. Schmutz vom Luftfiltergehäuse und der Abdeckung mit einem feuchten Tuch abwischen. Es muss darauf geachtet werden, dass Schmutz nicht in den zum Vergaser führenden Luftkanal gelangt.
4. Filter und Abdeckung wieder anbringen.

## Rasenmäherpflege

**Beabsichtigen Sie, Ihren Rasenmäher für längere Zeit nicht zu benutzen, so ist es ratsam, die folgende Vorgehensweise nach der letzten Benutzung zu beachten:**

1. Motor stoppen.
2. Den Kraftstoffhahn (**K**) vollständig schließen.
3. Motor neu starten.
4. Wenn der Kraftstofftank leer wird, wird der Motor langsam zum Stillstand kommen. Den Rasenmäher leicht kippen.
5. Wenn der Motor steht, den Bedienerhebel loslassen.
6. Den Zündkerzenstecker abziehen.
7. Den Kraftstofftank entleeren.

### Reinigen - HANDSCHUHE VERWENDEN

- **Halten Sie den Rasenmäher sauber - abgeschnittene Grashalme, die sich im Ansaugstutzen, im Motorbereich oder unter dem Gehäuse befinden, stellen eine potentielle Feuegefahr dar.**
- **Der Rasenmäher sollte nicht mit Chemikalien, einschließlich Benzin oder Lösungsmittel, gereinigt werden - diese können wichtige Kunststoffteile zerstören.**

1. Gras, das sich unten an der Unterseite befindet, kann mit einem Stück Holz o.ä. entfernt werden, kein Metall verwenden.
2. Grashalme, die sich im Motorbereich und an den Ansaugstutzen befinden, sind mit einer weichen Bürste zu entfernen.
3. Das Turbinenrad entfernen - siehe Abschnitt 'Entfernen und Befestigen von Messerbalken und Turbinenrad' - und mit einer weichen Bürste reinigen.
4. Die Oberfläche des Rasenmähers mit einem trockenen Tuch abwischen.

### Transportieren Ihres Rasenmähers

- Den Kraftstoffhahn schließen und den Rasenmäher so transportieren, dass sich der Motor in horizontaler Lage befindet.
- Den Rasenmäher niemals mit laufendem Motor transportieren.

### Lagerung Ihres Rasenmähers

Den Kraftstoffhahn schließen und den Rasenmäher an einem kühlen, trockenen, sicheren und vor Nässe geschützten Ort aufbewahren, wobei sich der Motor in horizontaler Lage befinden muss.

### BEVOR Wartungsarbeiten durchgeführt oder

1. Motor stoppen.
2. Den Kraftstoffhahn (**K**) vollständig schließen.
3. Motor neu starten.
4. Wenn der Kraftstofftank leer wird, wird der Motor langsam zum Stillstand kommen. Den Rasenmäher leicht kippen.
5. Wenn der Motor steht, den Bedienerhebel loslassen.
6. **Den Zündkerzenstecker abziehen.**
7. Den Kraftstofftank entleeren.
8. Zündkerzenkabel und Zündkerze entfernen. Einen Teelöffel (5 ml) Öl durch die Zündkerzen-Einschrauböffnung gießen. Den Starterzugriff zwei- bis dreimal ziehen. Hierdurch wird auf den Innenflächen des Motors Öl verteilt. Die Zündkerze prüfen, reinigen und wieder einsetzen. Ist ein Austausch der Zündkerze erforderlich, sollte ein zugelassenes Electrolux Outdoor Products Service Center- aufgesucht werden. **Das Zündkerzenkabel nicht wieder anschließen.**
9. Den Luftfilter reinigen. Siehe Abschnitt 'Luftfilterreinigung!'.  
Den Messerbalken austauschen, sofern er gerissen, beschädigt oder gebogen ist. Bei Bedarf die Messerbalken-Gewindeschraube auswechseln. Die vollständige Anleitung ist dem Abschnitt 'Entfernen und Befestigen von Messerbalken und Turbinenrad' zu entnehmen.
11. Es sind ausschließlich die für dieses Produkt angegebenen Original-Ersatzteile und -zubehörteile von Flymo zu verwenden.
12. Den Rasenmäher gründlich reinigen - **Siehe Abschnitt 'Reinigen!'**.
13. Bei Bedarf können Wartungsarbeiten und müssen Reparaturen von einem zugelassenen Electrolux Outdoor Products-Kundendienst- oder Service Center - durchgeführt werden.
14. Den Rasenmäher an einem kühlen, trockenen, feuchtigkeitsarmen und sicheren Ort aufbewahren.

## Hinweise zur Fehlersuche

### Motor springt nicht an

1. Sicherstellen, daß der Bedienerhebel fest am oberen Griff gehalten wird.
2. Es muss sichergestellt werden, dass sich genügend Kraftstoff im Tank befindet und der Kraftstoffhahn offen ist.
3. Der Choke-Schalthebel muss sich in der korrekten Position - in der 'Normal'-Position (**N**) bei warmem Motor und in der 'Choke'-Position (**L**) bei kaltem Motor - befinden.
4. Der Motor könnte zuviel Kraftstoff erhalten haben. Die Zündkerze herausdrehen und troeknen.
5. Die Kraftstoffmischung könnte falsch oder zu alt sein. Ist das der Fall, so muß sie erneuert werden.
6. Prüfen, ob das Messer und die Befestigungsschraube fest sitzen. Eine lose Messerschraube kann Startschwierigkeiten verursachen.
7. **Wenn der Motor immer noch nicht startet, ziehen Sie den Zündkerzenstecker ab und wenden Sie sich an Ihr autorisiertes örtliches Electrolux Outdoor Products Service Center.**

### Schlechte Kraftstoffzufuhr oder schwache Leistung

1. Den Zündkerzenstecker abziehen.

2. Die Gehäuseunterseite, das Luftfilter, das Turbinenrad, um den Motor herum und die Lüfteinlaßöffnungen reinigen.
3. Es muss sichergestellt werden, dass der Choke-Schalthebel auf 'Normal' (**N**) eingestellt ist.
4. Die Kraftstoffmischung könnte falsch oder zu alt sein. Ist das der Fall, so muß sie erneuert werden.
5. **Falls der schlechte Schwebzustand oder ungenügende Leistung weiterhin bestehen, ziehen Sie den Zündkerzenstecker ab und wenden Sie sich an Ihr autorisiertes örtliches Electrolux Outdoor Products Service Center.**

### Zu starke Vibration

1. Den Zündkerzenstecker abziehen.
2. Prüfen, ob das Messer richtig montiert ist. Siehe 'Aus- und einbau des Messers und Lüfterrads'.
3. Ist das Messer beschädigt oder verschlissen, muß es erneuert werden.
4. **Besteht die Vibration weiterhin, den Rasenmäher nicht benutzen. Ziehen Sie den Zündkerzenstecker ab und wenden Sie sich an Ihr autorisiertes örtliches Electrolux Outdoor Products Service Center.**

## Montage (sans chariot)

### Pose du support de guidon sur la tondeuse à gazon.

1. Introduire le crochet (A2) attaché à la poignée inférieure (A1) au milieu de la fente centrale du guide (A3) dans la direction indiquée par la flèche (A4).
2. En maintenant le crochet (A2) dans la fente centrale du guide (A3) tourner la poignée inférieure (A1) dans le sens des aiguilles d'une montre à 90° pour placer les deux pieds de la poignée inférieure entre les supports du capot (A5).
3. Insérer les goupilles (B1) et serrer avec les attaches de maintien (B2).

### Pose du guidon sur le support de guidon

AVANT de fixer la poignée supérieure à la poignée inférieure, stabiliser la poignée inférieure en levant le crochet (C1) à la position de "stationnement" (C2).

1. Veillez à ce que le levier du volet de départ soit situé du côté gauche vu de l'arrière.
2. Alignez le guidon avec le support de guidon (**reportez-vous à la Fig. D**). Posez les boulons (D1), les rondelles (D2) et les boutons à étoile (D3).
3. Fixer les câbles aux guidons avec les serre-câble fournis, en veillant à ce que les câbles ne soient pas coincés entre la partie supérieure et la partie inférieure du guidon.

## Montage (avec chariot)

1. Fixer le guidon inférieur (E1) au châssis avec la broche de guidon inférieur (E2) selon la Fig. E.
2. Fixer les roues (F1) au cadre de roues (F2) avec les clips (F3) selon la Fig. F.
3. Monter le cadre de roues (G1) au châssis avec le boulon de guidon inférieur (G2), la petite rondelle (G3), la grosse rondelle (G4) et le contre-écrou (G5) selon la Fig. G.

4. Insérer la partie inférieure des tubes extensibles (H1) dans leur partie supérieure (H2) et les fixer avec la broche (H3) et le clip (H4) selon la Fig. H.

**Montez la poignée supérieure sur la poignée inférieure selon les instructions de la section ci-dessus 'Montage (sans chariot).**

## Position de la poignée

La position de la poignée peut être réglée en utilisant le guide et l'assemblage crochet. Pour régler la position de la poignée.

1. Lever le crochet (C1).

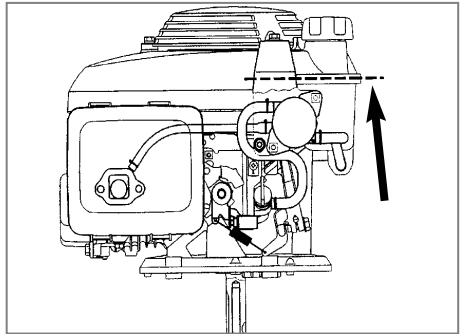
2. Positionner comme il le faut:

(C2) Position "Stationnement",  
(C3) Position "Tondeuse"

## Essence

### Utilisez de l'essence automobile sans-plomb ordinaire, fraîche et propre.

Ne remplissez pas le réservoir dans un local fermé, quand le moteur est chaud, quand vous fumez ou près d'une flamme nue. Nettoyez soigneusement autour du bouchon de remplissage avant de remplir, pour éviter d'introduire des saletés dans le circuit d'alimentation. Rangez l'essence dans un endroit frais, à l'écart de toute flamme nue. Ne remplissez pas le réservoir quand le moteur est en marche. Remplissez le réservoir par un entonnoir doté d'un filtre fin. Ne remplissez jamais le réservoir jusqu'en haut, mais seulement jusqu'à la base du col de remplissage. Quand on remplit un réservoir vide, ou si le moteur est tombé en panne sèche, il faut ajouter au minimum 400 cl d'essence (**jusqu'au niveau de la ligne indiquée sur le diagramme**) pour assurer que la pompe s'amorcera correctement pour faire démarrer le moteur. Le carburateur est préréglé. Normalement, il n'y a pas besoin de l'ajuster.



## Huile

Utilisez une huile détergente automobile 4-temps. L'huile SAE 10W-30 est recommandée pour l'usage général.

Remplissez d'huile selon les instructions du manuel de la tondeuse.

## Démarrage et Arrêt

### Comment démarrer votre tondeuse à gazon.

1. Sélectionnez la position Arrêt (C2) du guidon.
2. Branchez le câble de la bougie. (J)
3. Ouvrez le robinet à essence (K).
4. Mettez le levier du volet de départ sur la position 'Départ' (L) si le moteur est froid, et sur la position 'Marche' (N) si le moteur est chaud.
5. Tirez la commande marche/arrêt sécurité et la tenir fermement contre le manche supérieur.
6. Placer le pied droit sur le carter de la tondeuse et appuyer fermement. En tenant le haut de la partie inférieure de la poignée, incliner la tondeuse légèrement vers soi (M). Ceci permet de maintenir la tondeuse en position correcte pour mettre le moteur en marche et évite également de faire des coupes circulaires inélegantes dans la pelouse lors du démarrage.
7. Tirez la poignée de démarrage progressivement jusqu'à ce qu'une résistance se fasse sentir, puis lâchez la poignée de démarrage doucement.

8. D'un mouvement ferme et sec, tirez la poignée de démarrage vers vous, jusqu'en fin de course.
9. Laissez monter le moteur en régime avant d'abaisser progressivement la tondeuse à gazon au sol.
10. Dès que le moteur est chaud, n'oubliez pas de remettre le levier de commande sur la position 'normal' (H).

### Comment arrêter votre tondeuse à gazon

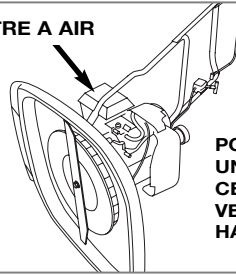
• **La lame continue à tourner après l'arrêt du moteur, pendant quelques secondes: il y a donc danger pendant cette période.**

1. Actionner la commande marche/arrêt sécurité.
2. À mesure que le moteur s'arrête, penchez la tondeuse un peu sur le côté. Si vous ne respectez pas cette consigne vous risquez de faire un trou dans votre gazon.
3. Après l'arrêt complet du moteur, abaissez la tondeuse à gazon au sol.
4. Sélectionnez la position d'arrêt (C2) du guidon.
5. Fermez le robinet à essence (K).

## IMPORTANT

**Avant toute intervention sur le dessous de la tondeuse, fermez le robinet à essence, laissez le moteur s'arrêter, déconnectez le câble de bougie et METTEZ LA TONDEUSE SUR LE CÔTÉ AVEC LE FILTRE A AIR VERS LE HAUT.**

FILTRE A AIR



**POSEZ  
UNIQUEMENT  
CE CÔTÉ  
VERS LE  
HAUT**

## Comment tondre une pelouse

- **N'utilisez jamais plus de 2 rondelles de réglage de hauteur de coupe.**
  - **On ne peut mettre de rondelles de réglage qu'entre la lame et la turbine, mais jamais entre la lame et le boulon. (P)**
1. Assurez-vous que la commande marche/arrêt est déclenchée, quand le moteur arrête de tourner, débranchez le fil de la bougie d'allumage.
  2. Fermez le robinet à essence (K). Posez la tondeuse à gazon sur le côté.
  3. Retirez le boulon de lame (P1) et la lame (P2) selon la section '**Démontage de la lame et du ventilateur**'.
  4. **Pour une coupe plus basse - ajouter les rondelles de réglage (P3) jusqu'à 2 pièces maximum.**
  5. Pour une coupe plus haute - enlever les pièces d'écartement (P3).
  6. Remontez la lame selon la section '**Montage de la lame et du ventilateur**'.

### Comment utiliser votre tondeuse

1. Mettez le manche sur la position de marche (C3).
  2. Tondez deux fois par semaine en pleine saison. Votre gazon peut souffrir d'un dessèchement trop rapide si vous tondez plus d'un tiers de sa hauteur.
- **Tenez vos mains et vos pieds bien à l'écart de la lame, on ne peut pas voir la lame quand elle tourne.**
  - **Il peut être dangereux de tondre les talus et les pentes. Ne tondez pas les pentes raides.**
  - **Gardez toujours les pieds sur un sol plat, avec la tondeuse en contrebas, et la bougie vers le haut pour éviter que l'huile de graissage s'écoule dans le cylindre.**
  - **N'utilisez pas cette tondeuse sur des pentes d'herbe humide ou de plus de 45°.**
  - **Ne poussez jamais la tondeuse vers le haut de la pente.**

## Enlèvement et Montage de la Lame et du Ventilateur

**Il faut toujours manier la lame soigneusement - les bords tranchants risquent d'occasionner des blessures. PORTER DES GANTS. Le fil de la bougie d'allumage risque d'être chaud - le manier soigneusement.**

### Enlèvement de la lame et de la turbine

- **Changez votre lame en métal au bout de 50 heures d'utilisation ou de 2 ans s'il y a moins de 50 heures - quel qu'en soit l'état.**
  - **Si la lame est fêlée ou abîmée, remplacez-la.**
1. Assurez-vous que la commande arrêt sécurité soit déclenchée, lorsque le moteur s'est arrêté et que la lame a arrêté de tourner - débranchez le fil de la bougie d'allumage.
  2. Fermez à fond le robinet à essence (K).
  3. Mettez la tondeuse sur le côté, avec le filtre à air vers le haut. (**voir schéma ci-dessus**).
  4. Pour enlever le boulon de la lame (P1), tenez le ventilateur (P4) fermement et desserrez le boulon de la lame en le tournant dans le sens contraire des aiguilles d'une montre avec la clef prévue.
  5. Enlevez le boulon de la lame (P1), la lame (P2) les rondelles de réglage (P3) et le ventilateur (P4).
  6. Examinez ces pièces pour voir si elles sont abîmées et les nettoyer au besoin.

### Montage de la lame et du ventilateur

- **Avant toute utilisation, il faut toujours faire un examen visuel pour vérifier que les lames et les boulons ne sont pas usés ou abîmés.**
  - **Ne jamais utiliser plus de 2 rondelles de réglage de hauteur de coupe.**
  - **Il ne faut mettre les pièces d'écartement qu'entre la lame et le ventilateur, jamais entre la lame et le boulon.**
1. Assurez-vous que la turbine soit bien positionnée.
  2. Mettez les rondelles de réglage (P3) sur la turbine en vous assurant que les tétons (P5) sont bien dans les trous (P6).
  3. Placez la lame (P2) sur les rondelles de réglage (P3) en vous assurant que les tétons (P7) sont bien placés dans les trous (P8) de la lame et en vous assurant que la lame est positionnée de la manière illustrée **sur la Figure P**.
  4. Placez le boulon de la lame (P1) dans le trou central (P9) de la lame.
  5. Serrez bien à la main dans le sens des aiguilles d'une montre.
  6. Tenez la turbine fermement et serrez le boulon de la lame avec la clef prévue.

## Bougie

Si la bougie est huileuse ou encrassée, il sera difficile de démarrer et le rendement du moteur sera réduit. Retirez régulièrement la bougie pour la nettoyer et l'ajuster si nécessaire.

Réglage de l'écart 0,028 – 0,031".

Ne retirez pas la bougie quand le moteur est chaud. Ne décapez pas la bougie au jet de sable.

## Nettoyage du filtre à air

**Q1 – Conduit d'air, Q2 – Corps du filtre à air, Q3 – Filtre, Q4 – Ergots de blocage, Q5 – Capot du filtre à air**

Ne faites jamais fonctionner un moteur sans filtre ou avec un filtre sale. Ceci réduirait beaucoup le rendement du moteur et l'endommagerait. La tondeuse est équipée d'un filtre à air, dont l'entretien est comme suit:

- **Inspectez le filtre avant chaque usage.**
- **Nettoyez le filtre toutes les 25 heures ou plus souvent si la tondeuse est utilisée dans une zone poussiéreuse.**
- **Remplacez le filtre toutes les 200 heures.**

1. Appuyez sur les ergots de blocage situés sur le dessus du capot du filtre à air, et retirez le capot.
2. Vérifiez que le filtre est propre et en bon état.

**Si le filtre est sale :**

- Tapez le filtre plusieurs fois sur une surface dure pour enlever la saleté, ou faites-y passer de l'air comprimé depuis le côté propre situé contre le moteur. N'essayez jamais d'éliminer la saleté en brossant, car cela ferait entrer la saleté dans les fibres.
3. Essuyez le corps du filtre à air et son capot avec un chiffon humide. Veillez à ne pas faire entrer de saletés dans le conduit d'air qui va vers le carburateur.
  4. Remontez le filtre et le capot.

## Entretien de Votre Tondeuse a Gazon

**Si vous n'avez pas l'intention d'utiliser votre tondeuse à gazon pendant une période prolongée, il est conseillé d'effectuer la procédure suivante après la dernière utilisation:**

1. Arrêtez le moteur.
2. Fermez à fond le robinet à essence. **(K)**
3. Remettez en marche le moteur.
4. A mesure qu'il a moins d'essence, le moteur va commencer à s'arrêter. Inclinez légèrement la tondeuse.
5. Après l'arrêt complet du moteur, déclenchez la commande arrêt sécurité.
6. Débranchez le câble de la bougie.
7. Vidangez totalement votre réservoir d'essence.

**Nettoyage – PORTER DES GANTS**

- **Il faut que votre tondeuse à gazon soit toujours bien propre - l'herbe coupée dans les entrées d'air, autour du moteur ou sous le carter de coupe pourrait constituer un risque d'incendie.**
- **Ne la nettoyez pas avec des produits chimiques, y compris l'essence ou les solvants - certains de ces produits peuvent détruire des pièces en plastique.**

1. Enlevez l'herbe d'en-dessous du carter de coupe avec un morceau de bois ou autre outil similaire.
2. Servez-vous d'une brosse douce autour du moteur et de toutes les entrées d'air pour enlever l'herbe coupée.
3. Enlevez la turbine, voir "enlèvement et montage de la lame et de la turbine", et nettoyez avec une brosse douce.
4. Essuyez la surface de votre tondeuse avec un chiffon sec.

**Transport de la tondeuse**

- Mettez le robinet à essence sur la position d'arrêt et transportez la tondeuse avec le moteur à l'horizontale.
- Ne transportez jamais la tondeuse quand elle est en marche.

**Rangement de votre tondeuse à gazon**

Mettez le robinet à essence sur la position d'arrêt et rangez la tondeuse dans un endroit frais, sec, à l'abri de l'humidité, avec le moteur à l'horizontale.

**En fin de saison**

1. Arrêtez le moteur.
2. Fermez à fond le robinet à essence. **(K)**
3. Remettez en marche le moteur.
4. A mesure qu'il a moins d'essence, le moteur va commencer à s'arrêter. Inclinez légèrement la tondeuse.
5. Après l'arrêt complet du moteur, déclenchez la commande arrêt sécurité.
6. **Débranchez le câble de la bougie.**
7. Vidangez totalement votre réservoir d'essence.
8. Enlevez le fil de la bougie d'allumage et la bougie. Versez une cuillerée (5ml) d'huile dans le trou de la bougie. Tirez la poignée de démarrage 2 ou 3 fois. Ceci servira à répartir l'huile sur les surfaces intérieures du moteur. Examinez, nettoyez la bougie et remettez-la en place. Si vous avez besoin d'une bougie neuve, contactez votre centre d'entretien/concessionnaire Electrolux Outdoor Products agréé. Ne branchez pas le fil de la bougie d'allumage.
9. Nettoyez le filtre à air. Voir "Nettoyage du filtre à air".
10. Remplacez la lame si elle est fêlée, abîmée ou tordue. Remplacez le boulon de la lame au besoin. Voir les directives "Enlèvement et montage de la lame et du ventilateur".
11. Ne vous servez que des pièces et accessoires d'origine Flymo prévues pour cette machine.
12. Nettoyez votre tondeuse à fond voir "Nettoyage".
13. Votre station service locale agréée Electrolux Outdoor Products exécutera tout entretien ou réparation voulus.
14. Rangez votre tondeuse à gazon dans un endroit sec.

## Conseils d'identification des défauts

**Le moteur ne démarre pas.**

1. Assurez-vous que la commande de mise en route est tenue bien fermement contre le manche supérieur.
2. Vérifiez qu'il y a assez d'essence dans le réservoir et que le robinet à essence est ouvert.
3. Vérifiez que le levier de volet de départ est en position correcte: Position 'Marche' **(N)** si le moteur est chaud, position 'Départ' **(L)** si le moteur est froid.
4. Il se peut que le moteur soit noyé. Démontez et séchez la bougie.
5. Le mélange de carburant peut être incorrect ou périmé - si c'est le cas, remplacez le carburant.
6. Vérifiez que le boulon de la lame est correctement serré. Un boulon de lame mal serré peut provoquer des problèmes de démarrage.
7. **Si le moteur ne démarre toujours pas - débranchez le fil de la bougie et contactez votre station service Electrolux Outdoor Products agréé.**

**Mauvais frottaison ou manque de puissance**

1. Débranchez le câble de la bougie.

2. Nettoyez le filtre à air, les passages d'air, le pourtour du moteur et en dessous du carter de tonte.
3. Vérifiez que le levier de contrôle du volet de départ est en position 'Marche' **(N)**.
4. Le mélange de carburant peut être incorrect ou périmé - si c'est le cas, remplacez le carburant.
5. **S'il y a toujours un mauvais effet de coussin d'air ou un manque de puissance - débranchez le fil de la bougie et contactez votre station service Electrolux Outdoor Products agréé.**

**Trop de vibrations**

1. Débranchez le câble de la bougie.
2. Vérifiez que la lame est correctement montée. **Reportez-vous à 'Dépose et repose de la lame et du ventilateur'.**
3. Si la lame est endommagée ou usée, n'hésitez pas à la remplacer.
4. **Si la vibration persiste - n'utilisez pas la tondeuse - débranchez le fil de la bougie et contactez votre station service Electrolux Outdoor Products agréé.**

## Montage (zonder wielen)

### Montage van de onderste hendel aan de gazonmaaier

1. De haak (A2) die aan de onderste hendel (A1) zit halverwege door de middelste opening van de geleide (A3) doen, in de door de pijl aangegeven richting (A4).
2. Met de haak (A2) in de middelste opening van de geleide (A3) de onderste hendel (A1) een kwart slag 90° met de klok mee draaien, om de beide uiteinden van de onderste hendel tussen de steunhaken van de kap (A5) te plaatsen.
3. De pennen (B1) aanbrengen en met de clips (B2) vastzetten.

**De bovenste hendel aan de onderste hendel monteren**  
Alvorens de bovenste hendel aan de onderste hendel te monteren moet u ervoor zorgen dat de onderste hendel stabiel is door de haak (C1) in de 'parkeerstand' (C2) te zetten.

1. Zorg dat de regelhendel van de choke aan de linker kant zit (van achteren gezien).
2. Breng de onderste en bovenste hendel in lijn (zie afbeelding D). Monteer de bouten (D1), sluitringen (D2) en borg deze met de hendelknoppen (D3).
3. Bevestig de kabels met de meegeleverde kabelklemmen aan de handgrepen en zorg dat de kabels niet klem komen te zitten tussen de bovenste en de onderste handgreep.

## Montage (met wielen)

1. Zet de onderste handgreep (E1) met de pen (E2) van de onderste handgreep aan de behuizing vast, zoals geïllustreerd in Afb. E.
2. Zet de wielen (F1) met de borgklemmen (F3) aan het wielframe (F2) vast, zoals geïllustreerd in Afb. F.
3. Zet het wielframe (G1) met de bout van de onderste handgreep (G2), de kleine pasring (G3), de grote pasring (G4) en de borgmoer (G5) aan de behuizing

vast, zoals geïllustreerd in Afb. G.

4. Steek de onderste uitschuifbare buizen (H1) in de bovenste uitschuifbare buizen (H2) en zet deze met de pen (H3) en de borgklem (H4) vast, zoals geïllustreerd in Afb. H.

**Monteer de bovenste handgreep op de onderste handgreep volgens de bovenstaande instructies in het onderdeel 'Montage (zonder wielen)'.**

## Stand van de hendels

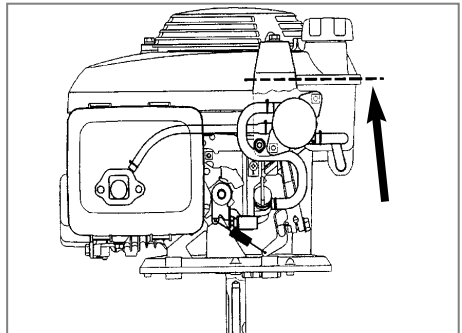
De stand van de hendels kan met de geleide en haak versteld worden. Voor het verstellen van de stand:

1. Haak (C1) oplichten.
2. Op de gewenste stand zetten:  
(C2) - Parkeerstand, (C3) - Maaistand.

## Brandstof

### Gebruik normale verse, schone, loodvrije benzine voor auto's

De brandstoftank NIET vullen in een besloten ruimte, wanneer de motor heet is of wanneer u rookt, en ook niet in de buurt van een open vlam. Het gedeelte rondom de vulpod grondig reinigen alvorens de brandstoftank te vullen; zo voorkomt u dat er vuil in het brandstofsysteem terecht komt. Brandstof dient te worden opgeslagen in een koele ruimte en uit de buurt van open vuur. De brandstoftank NIET met lopende motor vullen. Gebruik een trechter met een fijn filter om de brandstoftank te vullen. De brandstoftank NOOIT helemaal vullen, deze mag slechts tot aan de onderkant van de vullerhals worden gevuld. Als u een helemaal lege brandstoftank vult of als de motor voorheen droog is gelopen, dient minimaal 400 cc brandstof te worden bijgevoerd (tot aan de streep in de afbeelding), zodat de brandstofpomp goed injecteert als u de motor start. De carburateur is vooraf ingesteld. Normaal gesproken hoeft deze niet verder te worden afgesteld.



## Olie

**Gebruik 4-takt reinigingsolie voor auto's. SAE 10W-30 wordt aanbevolen voor algemeen gebruik.**

**Vul olie bij volgens de instructies in de handleiding voor de motor, die met uw product geleverd werd.**

## Starten en stoppen

### Het starten van uw gazonmaaier

1. Plaats de hendel in de parkeerstand (C2).
2. Sluit de bougiekabel aan (J).
3. Draai het brandstofkraantje (K) open.
4. Bij een koude start dient u de regelhendel van de choke in de stand 'Choke' (L) te zetten. Bij een warme start dient u deze hendel in de stand 'Draaien' (N) te zetten.
5. Trek de Operator Presence Control tegen de bovendwboom; stevig vasthouden.
6. Uw rechervoet stevig op de behuizing zetten en de bovenkant van de onderste handgreep met uw linkerhand vastpakken. De trimmer naar u toe kantelen (M). Zo hebt u het apparaat tijdens het starten in een veilige stand en voorkomt u dat er een lelijke ring in het gazon wordt gemaaid.
7. Rustig de starthendel uittrekken tot u weerstand voelt, de starthendel langzaam terug laten gaan.
8. De starthendel krachtig naar u toe trekken en

volledig uittrekken.

9. Laat de motor eerst op toeren komen en laat de gazonmaaier dan rustig zakken.
10. Overtuig u dat wanneer de motor op bedrijfstemperatuur gekomen is, de bedieningshendel zich in de 'normal' stand bevindt.

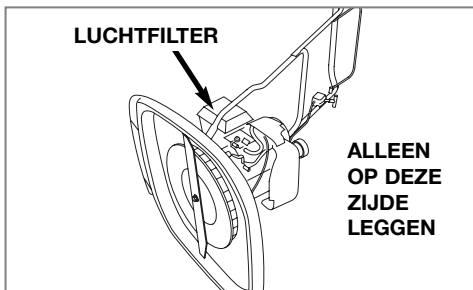
### Het stoppen van de gazonmaaier

- Het maaiemes blijft ronddraaien na uitschakeling van de gazonmaaier. Roterende maaiemessen kunnen lichamelijke letsels veroorzaken.
1. Ontspan de Operator Presence Control.
  2. Kantel de grasmaaier lichtjes terwijl de motor tot stilstand komt. Dit voorkomt dat er een ring in uw gazon wordt gemaaid.
  3. Wanneer de motor gestopt is, de gazonmaaier op de grond laten zakken.
  4. Plaats de hendel in de parkeerstand (C2).
  5. Draai het brandstofkraantje (K) dicht.



## BELANGRIJK

Alvorens onderhoudswerkzaamheden aan de onderkant van de machine uit te voeren, altijd eerst het brandstofkraantje sluiten, de motor laten uitdraaien, de bougiekabel loskoppelen en DE MACHINE OP HAAR KANT LEGGEN MET HET LUCHTFILTER NAAR BOVEN GERICHT.



## Maaihoogte Instellen

### Afstellen van de maaihoogte

- Gebruik nooit meer dan 2 vulringen.
  - Vulringen kunnen alleen worden aangebracht tussen het maaiemes en de waaier. Nooit tussen het maaiemes en de mesbout. (P)
1. Zorg dat de Operator Presence Control is ontspannen wanneer de motor tot stilstand is gekomen - ontkoppel de bougiekabel!
  2. Draai het brandstofkraantje (K) dicht. Draai uw gazonmaaier op de zijkant.
  3. Verwijder de mesbout (P1) en het mes (P2) zoals beschreven in 'Het mes en de ventilator verwijderen'.
  4. Om een lagere maaihoogte te verkrijgen brengt u maximaal 2 vulringen (P3) aan.
  5. Om een hogere maaihoogte te verkrijgen - vulringen (P3) verwijderen.
  6. Zet het mes weer op zijn plaats zoals beschreven in 'Het mes en de ventilator monteren'.

### Het maaien het gazon

1. Zet de duwboom in de maaistand (C3)
  2. Maai tijdens het groeiseizoen het gazon tweemaal per week. Uw gazonmaaier en gazon kan schade oplopen als u meer dan 1/3 van de graslengte per keer maait.
- Houd handen en voeten op veilige afstand van het maaiemes, dat niet kan worden waargenomen wanneer het draait.
  - Het maaien van taluds en hellingen kan gevaarlijk zijn. Het maaien op sterk hellend terrein dient te worden vermeden.
  - Zorg dat u altijd op vlakke grond staat, met de maaier lager dan uzelf op de helling en met de bougie naar boven gericht; dit om te voorkomen dat er smerolie in de cilinder komt.
  - Deze maaier niet gebruiken op hellingen die nat of steiler dan 45 graden zijn.
  - De maaier nooit heuvelopwaarts duwen.

## Verwijderen en monteren van het maaiemes en de waaier

Hanteer het maaiemes altijd met voorzichtigheid - de scherpe randen kunnen lichamelijke letsel veroorzaken. DRAAG HANDSCHOENEN

- De bougiekabel kan heet zijn - oplettenheid is geboden.

### Verwijderen van het maaiemes en de waaier

- Vervang het metalen maaiemes na 50 maaiuren of 2 jaar, welke hiervan het eerste plaatsvindt, ongeacht de conditie.
  - Als het maaiemes een scheurtje vertoont of anderszins is beschadigd dient het door een nieuw maaiemes te worden vervangen.
1. Zorg dat de Operator Presence Control is ontspannen wanneer de motor stilstaat en het maaiemes niet meer draait - ontkoppel de bougiekabel.
  2. Draai het brandstofkraantje (K) goed dicht.
  3. Zet de maaier op zijn kant met het luchtfilter naar boven gericht (zie de bovenstaande afbeelding).
  4. Om de mesbout (P1) te verwijderen, houdt u de waaier (P4) stevig vast en draait u de mesbout met de meegeleverde sleutel linksom los.
  5. Verwijder de mesbout (P1), het maaiemes (P2), de afstandsringen (P3) en de waaier (P4).
  6. De gazonmaaier op schade inspecteren en indien nodig schoonmaken.

### Monteren van het maaiemes en de waaier

- Vóór gebruik altijd onderwerpen aan visuele inspectie om te zien of het maaiemes en mesbout niet zijn versleten of beschadigd.
  - Gebruik nooit meer dan 2 vulringen.
  - Vulringen kunnen alleen worden aangebracht tussen het maaiemes en de waaier. Nooit tussen het maaiemes en de mesbout.
1. Zorg dat de waaier zich in de juiste positie bevindt.
  2. Plaats de vulringen (P3) op de waaier waarbij u erop moet toezien dat de nokken (P5) in de gaten (P6) steken.
  3. Plaats het maaiemes (P2) op de vulringen (P3). Zorg ervoor dat de nokken (P7) in de gaten (P8) van het maaiemes steken en dat het zich in de positie bevindt als (Zie afb.P).
  4. Steek de mesbout (P1) door het middelste gat (P9) van het maaiemes.
  5. Handvast draaien met de wijzers van de klok mee.
  6. Houd de waaier stevig in positie en draai de mesbout met de meegeleverde sleutel goed vast.

## Bougie

Een vette of met koolstof vervulde bougie bemoeilijkt het starten en doet afbreuk aan de efficiëntie van de motor. U dient de bougie regelmatig te verwijderen en deze zo nodig te reinigen en af te stellen.

Instelling voor speling is 0,028-0,031 inch. De bougie nooit verwijderen als de motor heet is. De bougie niet zandstralen om hem te reinigen.

## Het luchtfilter reinigen

### Q1 - Luchtpijp, Q2 - Luchtfilter, Q3 - Filter, Q4 - Vergrendelingslipjes, Q5 - Deksel van luchtfilter

De motor nooit zonder filter of met een vuil filter laten draaien. Dit zal de efficiëntie van de motor aanzienlijk verminderen en leidt tot beschadiging van de motor. Uw grasmaaier is voorzien van een luchtfilter dat als volgt moet worden onderhouden:

- **Het filter voor elk gebruik controleren.**
  - **Elke 25 uur reinigen, of vaker indien de machine onder stoffige omstandigheden wordt gebruikt.**
  - **Het filter elke 200 uur vervangen.**
1. Druk op de vergrendelingslipjes boven op het deksel van het luchtfilter en verwijder het deksel.

2. Controleer of het filter schoon is en in goede staat verkeert.

#### Als het filter vuil is:

1. Tik het luchtfilter enkele malen tegen een hard oppervlak om vuil te verwijderen, of blaas via het schone vlak, dat naar de motor is gericht, perslucht door het luchtfilter. Probeer nooit om vuil af te borstelen, daar dit het vuil in de vezels forceert.
3. Veeg het vuil met een vochtige doek van het luchtfilter en het deksel. Let erop dat er geen vuil in de luchtpijp naar de carburateur komt.
4. Zet het filter en het deksel van het luchtfilter weer op hun plaats.

## Onderhoud van de gazonmaaier

### Wanneer uw gazonmaaier langere tijd niet gebruikt gaat worden, adviseren wij na gebruik de volgende werkwijze te volgen:

1. Leg de motor stil.
2. Draai het brandstofkraantje (**K**) goed dicht.
3. Start de motor opnieuw.
4. Wanneer de brandstof bijna op is en de motor hapert, dient u de grasmaaier een stukje te kantelen.
5. Nadat de motor stilstaat ontspan de Operator Presence Contro.
6. Maak de bougiekabel los.
7. Verwijder de benzine uit de benzinetank.

### Schoonmaken - DRAAG HANDSCHOENEN

- **Houd de gazonmaaier schoon - afgeknipt gras dat terecht komt in een luchtinlaat of in de motor is brandgevaarlijk.**
- **Gebruik voor het reinigen van de gazonmaaier geen chemicaliën, of oplosmiddelen - sommige hiervan kunnen belangrijke kunststof onderdelen vernietigen.**

1. Verwijder gras onder de maaikast met een borstel.
2. Met behulp van een zachte borstel verwijderd u gras in en rond het motorgedeelte en uit alle luchtinlaten.
3. Verwijder de waaier - zie 'Verwijderen en monteren van het maaiemes en de waaier' - en maak deze schoon met een zachte borstel.
4. Veeg de maaikast van uw gazonmaaier af met een droge doek.

### De grasmaaier vervoeren

- Draai het brandstofkraantje dicht en vervoer de grasmaaier met de motor in de horizontale stand.
- De grasmaaier nooit met draaiende motor vervoeren.

### Uw gazonmaaier opbergen

Draai het brandstofkraantje dicht en sla de machine op in een koele, droge, vochtbestendige en veilige ruimte, met de motor in de horizontale stand.

### Aan het eind van het maaiseizoen

1. Leg de motor stil.
2. Draai de het brandstofkraantje (**K**) goed dicht.
3. Start de motor opnieuw.
4. Wanneer de brandstof bijna op is en de motor hapert, dient u de grasmaaier een stukje te kantelen.
5. Nadat de motor stilstaat ontspan de Operator Presence Control.
6. **Maak de bougiekabel los.**
7. Verwijder de benzine uit de benzinetank.
8. Verwijder de bougiekabel en de bougie. Giet een theelepel (5 ml) olie door de bougie- opening. Trek twee- of driemaal aan de starthendel. Dit verdeelt de olie naar de interne delen van de motor. Controleer en reinig de bougie. Indien deze moet worden vervangen raadpleeg dan uw plaatselijke Electrolux Outdoor Products dealer. **De bougiekabel mag niet meer worden aangesloten.**
9. Reinig het luchtfilter. **Zie: 'Schoonmaken van het luchtfilter'.**
10. Vervang het maaiemes indien het is gebarsten of anderszins beschadigd dan wel verbogen. Vervang zo nodig de bladbout. **Zie: 'verwijderen en monteren van maaiemes en waaier'** voor volledige instructies.
11. Gebruik alleen originele Flymo onderdelen en accessoires die voor dit product zijn gespecificeerd.
12. Maak uw gazonmaaier grondig schoon. **Zie: 'Schoonmaken van de gazonmaaier'.**
13. Uw plaatselijke Electrolux Outdoor Products dealer voert elke gewenste service of reparatie uit.
14. Bewaar uw gazonmaaier op een koele, droge, vochtbestendige en veilige plaats.

## Tips voor foutenopsporing

### Motor wil niet starten

1. Zorg dat de Operator Presence Control stevig tegen de bovenduwboom wordt aangetrokken.
2. Controleer dat er voldoende brandstof in de tank zit en dat het brandstofkraantje open staat.
3. Controleer dat de regelhendel van de choke in de juiste stand staat: de stand 'Draaien' (**N**) als de motor heet is, de stand 'Choke' (**L**) als de motor koud is.
4. Brandstofmengsel is verouderd of verkeerd gemengd - vervang dit dan voor een vers brandstofmengsel.
5. Controleer of de mesbout vast zit. Een losse bout kan een startprobleem veroorzaken.
6. **Indien de motor nog steeds niet start, ontkoppel dan de bougiekabel en raadpleeg uw plaatselijke Electrolux Outdoor Products dealer.**

### Slechte zweving of gebrek aan vermogen

1. Ontkoppel de bougiekabel.

2. Reinig de onderkant van de maaikast, het luchtfilter, de waaier, het gedeelte rond de motor en de luchtinlaten.
3. Controleer de de regelhendel van de choke in de stand 'Draaien' (**N**) staat.
4. **Indien slecht zweven of gebrek aan vermogen blijft voortduren, ontkoppel dan de bougiekabel en raadpleeg uw plaatselijke Electrolux Outdoor Products dealer.**

### Overmatig trillen

1. Ontkoppel de bougiekabel.
2. Controleer of het maaiemes op de juiste wijze is bevestigd. **Zie: 'Verwijderen en monteren van het maaiemes en de waaier'.**
3. Als het maaiemes is beschadigd of versleten, vervang het dan door een nieuw maaiemes.
4. **Indien de trilling blijft aanhouden, gebruik de gazonmaaier dan niet. Ontkoppel de bougiekabel en raadpleeg uw plaatselijke Electrolux Outdoor Products dealer.**



## Montering (uten hjul)

### Montering av nedre håndtak til plenklipperen

1. Før kroken (A2) festet til nedre håndtak (A1) halvveis gjennom senterstlassen på styringen (A3) i pilens retning (A4).
2. Mens kroken (A2) holdes i senterstlassen til styringen (A3) dreies nedre håndtak (A1) 90° med urviserne for å sette begge føttene til nedre håndtak i stilling mellom brakettene (A5).
3. Sett i stiftene (B1) og fest med klemmene (B2).

### Øvre håndtak settes på nedre håndtak

**FØR** øvre håndtak settes på nedre håndtak må nedre håndtak stabiliseres ved å løfte kroken (C1) til "parkeringsstilling" (C2).

1. Forsikre deg om at chokespaken er på venstre side når du ser maskinen bakfra.
2. Koble sammen nedre og øvre håndtak (D). Monter boltene (D1), skivene (D2) og skru sammen med vingemutrene (D3).
3. Fest kablene til håndtakene med kabelfestene som følger med og vær sikker på at kablene ikke sitter fast mellom øvre og nedre håndtak.

## Montering (med hjul)

1. Monter nedre håndtak (E1) på karosseriet med den nedre hendeltapp (E2), som vist på Fig. E.
2. Fest hjulene (F1) til hjulrammen (F2) med festeklips (F3), som vist på Fig. F.
3. Fest hjulrammen (G1) til karosseriet med nedre håndtaksbolt (G2) liten pakning (G3) stor pakning (G4) og låsemutter (G5), som vist på Fig. G.

4. Sett nedre teleskoprør (H1) inn i øvre teleskoprør (H2) og fest med tappen (H3) og festeklips (H4), som vist på Fig. H.

**Fest det øvre håndtaket til det nedre håndtaket og følg anvisningene ovenfor i avsnittet "Montering (uten hjul)".**

## Håndtakets stilling

Håndtakets stilling kan justeres ved hjelp av styringen og kroken. Det gjør du slik:

1. Løft kroken (C1)

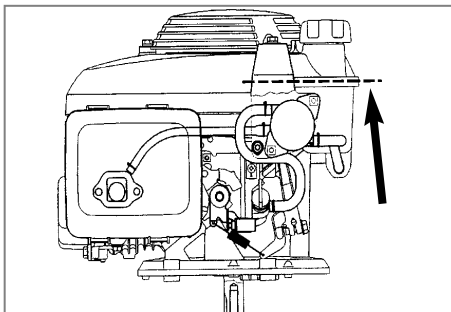
2. Sett håndtaket i stilling:

(C2) - parkering  
(C3) - klipping.

## Drivstoff

### Bruk ny, ren, blyfri, vanlig bilbensin

Bensintanken må ikke fylles i lukket rom, når motoren er varm, nær bar flamme eller mens du røyker. Rengjør grundig rundt bensintanklokket før du fyller, slik vil du forhindre at skitt kommer inn i drivstoffsystemet. Bensinen bør oppbevares kjølig, borte fra bare flammer. Tanken må ikke fylles mens motoren går. Fyll bensintanken gjennom en trakt med et fint filter. Bensintanken må aldri fylles helt, bare til nederst på påfyllingshalsen. Når du fyller opp en helt tom bensintank, eller når motoren tidligere har gått tom for bensin, må det has i minst 400cm<sup>3</sup> bensin (**opptil streken som er vist på diagrammet**) for å sørge for korrekt priming av bensinpumpen til å starte motoren. Forgasseren er forhåndsinnstilt. Normalt er det ikke nødvendig med ytterligere justering.



## Olje

Bruk 4-takts rengjøringsolje til biler. SAE 10W-30 anbefales til generell bruk.

Fyll på olje som anvist i maskinens Brukermanual som følger med produktet.

## Start og stopp

### For å starte plenklipperen

1. Plasser håndtaket i parkeringsstilling (C2).
2. Monter tennplugg kabelen (J).
3. Åpne bensinkranen (K).
4. Skyv chokespaken til "Choke"-stilling (L) når du starter kald motor, og til "Kjør"-stilling (N) når du starter varm motor.
5. Klem sikkerhetsbryten mot håndtaket og hold fast.
6. Sett høyre fot på dekslet og ta tak i toppen av det nedre håndtaket med venstre hånd. Vipp maskinen mot deg (M). Dette sikrer at den er i en trygg stilling ved oppstart, og forhindrer også at en utilsikket ring klippes på plenen din.
7. Dra startsnoren forsiktig ut inntil de føler motstand. Slipp startsnoren sakte inn igjen.
8. Start motoren ved å dra startsnoren helt ut med en jevn og kraftig bevegelse.

9. La motoren oppnå full hastighet før du forsiktig senker klipperen ned mot plenen.
10. Når motoren har oppnådd normal driftstemperatur, plasseres kontrollhendelen i normal stilling (N).

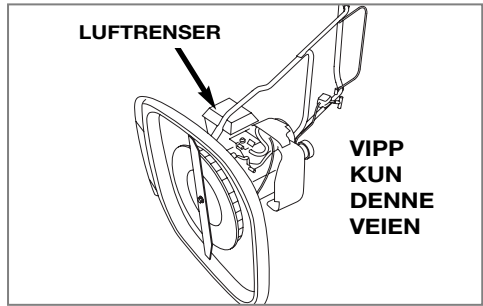
### For å stoppe plenklipperen

• **Knivsbladet fortsetter å rotere etter at maskinen er slått av, roterende knivsblad kan forårsake skade.**

1. Slipp "Brukeren tilstede" kontrollen.
2. Vipp gressklipperen litt opp mens motoren slukker. Dette hindrer at det blir klippet en ring i plenen.
3. Når motoren har stoppet senkes plenklipperen ned på bakken.
4. Plasser håndtaket i parkering stilling (C2).
5. Lukk bensinkranen (K)

## VIKTIG

**Før det utføres service eller vedlikehold på undersiden av maskinen, lukk bensinkranen, la motoren gå til den stopper, koble fra tennpluggkabelen og **VIPP MASKINEN OVER PÅ SIDEN MED LUFTRENSEREN ØVERST.****



## Slik justerer du klippehøyden

- **Bruk aldri mer enn 2 skiver for å justere klippehøyden.**
  - **Skivene kan bare monteres mellom kniven og viften og aldri mellom kniven og bolthodet (P)**
1. Vær sikker på at "Brukeren tilstede" kontrollen har blitt sloppet fri, og når motoren har stoppet å rotere, ta ledningen av tennpluggen.
  2. Lukk bensinkranen (**K**) Legg plenklipperen på siden.
  3. Fjern knivbolten (**P1**) og kniven (**P2**) som beskrevet i "Fjerning av kniven og viften".
  4. For å klippe lavere - sett på flere skiver (**P3**), til maksimalt 2.
  5. For å klippe høyere - ta av skiver (**P3**).
  6. Monter kniven som beskrevet i "Montering av kniven og viften"

### Slik klipper du plenen

1. Sett håndtaket i "Klippe" posisjonen (**C3**)
  2. Klipp plenen to ganger i uken i vekstperioden. Plenen vil ta skade dersom mer enn 1/3 av gresslengden klippes på en gang.
- **Hold hender og føtter vekk fra kniven, en roterende kniv er ikke synlig.**
  - **Klipping i bakker og skråninger kan være farlig. Ikke klipp der bakken heller mye.**
  - **Ha alltid føttene på flat grunn med gressklipperen nedenfor deg selv i en skråning og med tennpluggen øverst for å unngå at smøringssolje renner inn i sylindere.**
  - **Gressklipperen må ikke brukes i skråninger som er våte eller med mer enn 45° helling.**
  - **Gressklipperen må aldri skyves opp en skråning.**

## Demontering & montering av kniv og vifte

**Berør alltid kniven med forsiktighet - skarpe kanter kan forårsake skade. BRUK HANSKER. Ledningen til tennpluggen kan være varm - berør den med forsiktighet.**

### Demontering av kniv og vifte

- **Forny kniven etter 50 timers klipping eller 2 år avhengig av hvilket som kommer først - uansett knivens tilstand.**
  - **Dersom kniven er sprukket eller ødelagt erstatt den med en ny.**
1. Vær sikker på at "Brukeren tilstede" kontrollen har blitt sloppet fri, og når motoren har stoppet og kniven har stoppet å rotere - ta ledningen av tennpluggen.
  2. Lukk bensinkranen helt (**K**).
  3. Snu maskinen på siden med luftrenseren øverst (se bildet ovenfor).
  4. For å fjerne knivbolten (**P1**), hold godt tak i viften (**P4**), og med den nøkkelen som følger med, løs opp knivbolten ved å skru den "mot urviseren".
  5. Fjern knivbolten (**P1**), kniven (**P2**), skivene (**P3**) og viften (**P4**).
  6. Undersøk nøye for skade og rengjør dersom nødvendig.

### Montering av kniv og vifte

- **Før bruk alltid se på kniv og bolt for å undersøke at de ikke er slitte eller ødelagte.**
  - **Bruk aldri mer enn 2 skiver for å justere klippehøyden.**
  - **Skivene kan bare monteres mellom kniv og viften og aldri mellom kniv og bolt.**
1. Vær sikker på at viften er i riktig posisjon.
  2. Plaser skivene (**P3**) oppå viften og vær sikker på at tappene (**P5**) er på plass i hullene (**P6**).
  3. Plaser kniven (**P2**) oppå skivene (**P3**) og vær sikker på at tappene (**P7**) er på plass i hullene (**P8**) i bladet og vær sikker på at kniven er i den stillingen som er vist i figur P.
  4. Plasser knivbolten (**P1**) gjennom senterhullet på kniven (**P9**).
  5. Skru til for hånd "med urviseren".
  6. Hold godt tak i viften og skru til knivbolten med den nøkkelen som følger med.

## Tennplugg

En tennplugg som er tilsølt av olje eller sot gjør starting vanskelig og reduserer motorens effektivitet. Ta ut tennpluggen fra tid til annen og rengjør og juster den når nødvendig.

Gapinnstilling 0,028 – 0,031".

Ta ikke ut tennpluggen mens motoren er varm.

Tennpluggen må ikke sandblåses når den rengjøres.

## Rengjøring av luftfilteret

- Q1 – Luftkanal**
- Q2 – Luftrenserdel**
- Q3 – Filter**
- Q4 – Låsetapper**
- Q5 – Luftrenserdeksel**

Motoren må aldri kjøres uten filter eller med skittent filter. Dette vil i stor grad redusere motorens effektivitet og føre til motorskade. Din gressklipper er utstyrt med en luftrenser. Følgende vedlikehold anbefales:

- **Sjekk filteret hver gang du skal bruke det.**
- **Rengjør etter 25 timer eller oftere når det brukes i støvete områder.**
- **Bytt ut filteret etter 200 timer.**

1. Trykk ned låsetappene oppå luftrenserdekslet og fjern dekslet.
2. Sjekk at filteret er rent og i god stand.

### Hvis filteret er skittent:

- Bank luftfilteret flere ganger på et hardt underlag for å fjerne skitt, eller blås trykkluft gjennom luftfilteret fra den rene siden som vender mot motoren. Forsøk aldri å børste av skitten. Børsting vil drive skitten inn i fibre.
3. Tørk skitt fra luftrenserdelen og dekslet med en fuktig fille. Vær forsiktig slik at skitt ikke kommer inn i luftkanalen som fører til forgasseren.
  4. Sett filteret og luftrenserdekslet på plass igjen.

## Stell av plenklipperen din

Dersom plenklipperen ikke skal brukes på en stund anbefales det at du gjør følgende etter bruk:

1. Stans motoren.
2. Lukk bensinkranen helt. **(K)**
3. Start motoren på nytt.
4. Etter som motoren går tom for bensin, vil den stoppe. Vipp gressklipperen litt.
5. Så snart motoren har stoppet slipp løs "Brukeren tilstede" kontrollen.
6. Demonter tennpluggledningen.
7. Tøm tanken for bensin.

### Rengjøring

#### • BRUK HANSKER

• **Hold plenklipperen din ren - avkuttet gress som samles i luftinntakene, rundt motoren eller under dekselet kan føre til fare for brann.**

• **Ikke rengjør med kjemikalier, inkludert bensin og oppløsningsmidler - noen av disse kan ødelegge viktige deler av plastikk.**

1. Fjern gress fra undersiden med skrapen på knivkøkkelen eller et stykke av tre eller plast.
2. Bruk en myk børste - fjern avkuttet gress fra rundt motoren og i alle luftinntakene.
3. Ta av viften, se "Demontering og montering av kniv og vifte", og rengjør med en myk børste.
4. Tørk av overflaten på plenklipperen med en tør klut.

### Transport av din gressklipper

- Sett bensinkranen i "Av"-stilling og transporter gressklipperen med motoren i horisontal stilling.
- Gressklipperen må aldri transporteres med motoren i gang.

### Oppbevaring av plenklipperen

Sett bensinkranen i "Av"-stilling og oppbevar gressklipperen på et kjølig, tørt, fuktighetssikkert og trygt sted med motoren i horisontal stilling.

Gi plenklipperen din en service etter du har klippet plenen for siste gang hvert år:-

1. Stans motoren.
2. Lukk bensinkranen helt. **(K)**
3. Start motoren på nytt.
4. Etter som motoren går tom for bensin, vil den stoppe. Vipp gressklipperen litt.
5. Så snart motoren har stoppet slipp løs "Brukeren tilstede" kontrollen.
6. **Demonter tennpluggledningen.**
7. Tøm tanken for bensin.
8. Ta av ledningen fra tennpluggen og ta ut tennpluggen. Hell en teskje (5 ml) olje gjennom hullet til tennpluggen. Trekk starthåndtaket 2 eller 3 ganger. Dette vil fordele oljen i de indre overflatene i motoren. Kontroller og rengjør tennpluggen og skru den tilbake på plass. Dersom du trenger en ny tennplugg, kontakt ditt lokale, godkjente Electrolux Outdoor Products serviceverksted/ forhandler. **Ikke sett ledningen til tennpluggen på plass igjen.**
9. Rengjør luftfilteret. Se "Rengjøring av luftfilteret".
10. Forny kniven dersom den er sprukket, ødelagt eller bøyet. Forny knivbolten dersom nødvendig. Se "Demontering & montering av kniv og vifte" for fullstendig instruksjon.
11. Bruk bare originale Flymo deler og tilbehør spesifisert for dette produktet.
12. Rengjør plenklipperen din ordentlig. Se "Rengjøring".
13. Ditt lokale, godkjente Electrolux Outdoor Products serviceverksted/ forhandler vil utføre service eller reparasjon dersom det trengs.
14. Oppbevar plenklipperen din på et kjølig, tørt, og sikkert sted.

## Råd om feilsøking

### Motoren vil ikke starte

1. Vær sikker på at "Brukeren tilstede" kontrollen holdes hardt mot øvre håndtak.
2. Sjekk at det er nok bensin på bensintanken og at bensinkranen er åpen.
3. Sjekk at chokespaken står i korrekt stilling: "Kjør"-stilling **(N)** – for varm motor, "Choke"-stilling **(L)** – for kald motor.
4. Motoren kan ha flommet over. Ta ut og tørk tennpluggen.
5. Bensinblandingen kan være feil eller gammel. Skift bensin om nødvendig.
6. Kontroller at knivens festebolt sitter fast. En løs bolt kan forårsake problemer ved start av motoren.
7. **Dersom motoren fremdeles ikke vil starte, ta av tennplugg kabelen og kontakt ditt lokale, godkjente Electrolux Outdoor Products servicesenter/forhandler.**

### Dårlig flyt eller mangel på kraft

1. Demonter tennplugg ledningen.

2. Rengjør undersiden av dekselet, luftfilteret, vifta, området rundt motoren og luftinntakene.
3. Sjekk at motorens chokespak står i "Kjør"-stilling. **(N)**
4. Bensinblandingen kan være feil eller bensinen dårlig. Skift om nødvendig.
5. **Dersom plenklipperen fortsatt har dårlig flyt eller redusert kraft, demonter tennplugg ledningen og kontakt ditt lokale, godkjente Electrolux Outdoor Products servicesenter/forhandler.**

### Unormal stor vibrasjon

1. Demonter tennplugg kabelen.
2. Kontroller at kniven er montert riktig. **Se avsnittet om 'Demontering og montering av kniv og vifte'.**
3. Skift kniven dersom den er skadet eller slitt.
4. **Bruk ikke plenklipperen dersom den fortsatt har unormale vibrasjoner. Ta av tennplugg ledningen og kontakt ditt lokale, godkjente Electrolux Outdoor Products servicesenter/forhandler.**

## Kokoaminen (ilman pyöriä)

### Työntöaisan alaosan kiinnitysleikkuriin

1. Syötä alempaan kahvaan (A1) kiinnitetty koukkuosa (A2) ohjaimen (A3) keskireiän kautta puoliväliin nuolen (A4) osoittamaan suuntaan.
2. Pidä koukkuosa (A2) ohjaimen keskikolossa ja käännä alempaa kahvaa (A1) myötäpäivään 90° siten, että molemmat alemman kahvan jalukset asettuvat paikoilleen kupukannattimien väliin.
3. Asenna tapit (B1) ja kiinnitä pidikkeiden (B2) avulla.

### Ylemmän kahvan asennus alempaan kahvaan

**ENNEN** ylemmän kahvan asettamista alempaan kahvaan tasapainoita alempi kahva nostamalla koukkuosa (C1) 'pysäköintiasentoon' (C2).

1. Varmista että kuristuslapan vipu on vasemmalla puolella takaapäin katsottuna.
2. Yhdistä aisan ylä- ja alaosa (D). Aseta pultit (D1), aluslevyt (D2) paikoilleen ja kiristä ne nupuilla (D3).
3. Kiinnitä johdot kahvoihin johdonpidikkeillä (kuuluu toimitukseen) ja varmista, että johdot eivät jää puristukseen ylä- ja alakahvan väliin.

## Kokoaminen (pyörien kanssa)

1. Kiinnitä alempi kahva (E1) kanteen niin, että alemman kahvan tappi (E2) on kuten **kuvasssa E** on esitetty.
2. Kiinnitä pyörät (F1) pyöränrunkoon (F2) niin, että pyörän pidikkeet (F3) ovat kuten **kuvasssa F** on esitetty.
3. Kiinnitä pyöränrunko (G1) kanteen niin, että alemman kahvan pultit (G2), pieni aluslevy (G3), suuri aluslevy (G4) ja lukkomutteri (G5) ovat kuten **kuvasssa G** on esitetty.

4. Laita alemmat teleskooppivarret (H1) ylempien teleskooppivarsien (H2) sisään ja kiinnitä paikoilleen tapilla (H3) ja sokalla (H4), kuten **kuvasssa H** on esitetty.

**Kiinnitä ylempi kahva alempaan kahvaan yllä olevassa kohdassa 'Kokoaminen (ilman pyöriä)' annettujen ohjeiden mukaisesti.**

## Kahva-asento

Kahva-asentoa voidaan säätää ohjainta ja koukkuosaa käyttäen. Kahva-asennon säätö

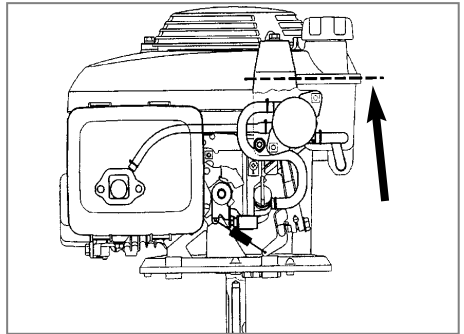
1. Nosta koukkuosa (C1)

2. Asenna tarvittavalla tavalla:  
(C2) - 'Pysäköintiasento'  
(C3) - 'Leikkuuasento'.

## Polttoaine

### Käytä tuoretta, puhdasta lyijytöntä ajoneuvoille tarkoitettua bensiiniä.

Älä täytä säiliötä suljetussa tilassa moottorin ollessa kuuma, kun tupakoit tai avotulen läheisyydessä. Puhdista polttoainesäiliön täyttöaukon korkki huolellisesti ennen täyttöä, jotta lika ei pääse polttoainejärjestelmään. Säilytä polttoainetta viileässä paikassa poissa avotulen läheisyydestä. Älä täytä säiliötä moottorin käydessä. Täytettäessä polttoainesäiliötä käytä suppiloa, jossa on puhdas suodatin. Älä koskaan täytä säiliötä aivan täyteen, ainoastaan täyttöaukon kaulaan saakka. Täytettäessä tyhjää säiliötä tai jos moottori on sammunut, lisää vähintään 400 cc polttoainetta (**kuvan osoittamaan rajaan saakka**) varmistaaksesi, että polttoainepumppu saa riittävän määrän polttoainetta moottorin käynnistämiseen. Kaasutin on toimintavalmis. Muita säätöjä ei normaalisti tarvita.



## Öljy

**Käytä 4-tahtista ajoneuvoille tarkoitettua öljyä. SAE 10W-30 suositellaan yleiskäyttöön.**

**Täytä öljyllä Moottorin käyttöoppaassa annettujen ohjeiden mukaisesti.**

## Käynnistys ja sammutus

### Käynnistäminen

1. Siirrä työntöaisa asentoon (C2).
2. Kytke sytytystulpan johto (J).
3. Avaa polttoainehana (K).
4. Siirrä kuristuslapan vipu ala-asentoon (L), kun käynnistät leikkurin kylmänä ja keskiasentoon (N), jos kone on jo ollut käynnissä.
5. Vedä ja pidä käyttäjän kytkintä painettuna tukevasti yläkahvaa vasten.
6. Aseta oikea jalka tukevasti kannen päälle ja ota kiinni alahkahvan yläosasta vasemmalla kädellä. Kallista leikkuria itseäsi kohti (M). Näin varmistat, että leikkuri on tukevassa asennossa, kun käynnistät sen eikä nurmikkoon muodostu ympyrää.
7. Vedä hitaasti käynnistyskahvasta kunnes tuntuu vastus. Palauta hitaasti kahva alkuasentoon.

8. Vedä voimakkaammin kahvaa itseäsi kohti, narun täyteen pituuteen.
9. Anna moottorin saavuttaa täyden kierroslukunsa, ja laske leikkuri varovasti maahan.
10. Kun moottori on lämmentynyt, varmista että säätövipu on normaali asennossa (N).

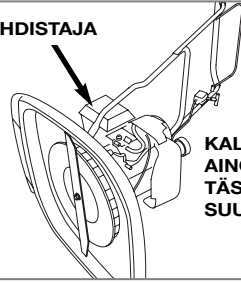
### Ruohonleikkurin pysäyttäminen

- **Leikuuterä jatkaa pyörimistä sen jälkeen kun moottori on kytketty pois päältä; pyörivät leikuuterät voivat aiheuttaa loukkaantumisen**
1. Vapauta käyttäjän kytkin.
  2. Kallista ruohonleikkuria hieman moottorin sammuaessa. Tämä estää ympyrän leikkaamisen ruoohon.
  3. Laske leikkuri maahan kun moottori on pysähtynyt.
  4. Siirrä työntöaisa Seisonta asentoon (C2).
  5. Sulje polttoainehana (K).

## TÄRKEÄÄ

Ennen kuin ryhdyt huoltamaan koneen alapuolta, sulje polttoainehana ja anna moottorin käydä kunnes se pysähtyy, irrota sytytystulpan letku ja **KALLISTA KONE KYLJELLEEN, NIIN ETTÄ ILMANPUHDISTAJA ON YLIMPÄNÄ.**

ILMANPUHDISTAJA



**KALLISTA AINOASTAAN TÄSSÄ SUUNNASSA**

## Leikkauskorkeuden säätö

- Älä koskaan käytä 2 useampaa leikkuukorkeusvälikettä.
- Välikkeet voidaan asettaa vain leikkuuterän ja puhaltimen välille, ei koskaan leikkuuterän ja pultin välille (P)
- 1. Varmista, että turvakytin vapautetaan, kun moottori on lakannut pyörimästä - irrota sytytystulpan johto.
- 2. Sulje polttoainehana (K). Käännä leikkuri kyljelleen.
- 3. Irrota terän pultti (P1) ja terä (P2) kuten kohdassa 'Terän ja tuulettimen irrottaminen' on neuvottu.
- 4. Halutessasi lyhyen nurmen lisää välikkeitä (M3) maksimimäärään 2 saakka.
- 5. Halutessasi pitemmän nurmen poista haluttu määrä välikkeitä (M3).
- 6. Kiinnitä terä pakoilleen kuten kohdassa 'Terän ja tuulettimen kiinnittäminen' on neuvottu.

### Nurmen leikkaaminen

1. Aseta kahva leikkuuasentoon (C3)
2. Leikkaa ruoho kaksi kertaa viikossa kasvukauden aikana. Nurmikko kärsii, jos siitä leikataan kerralla yli kolmasosa sen kasvusta.
- Pidä kädet ja jalat turvallisen matkan päässä leikkuuterästä; pyörivää terää ei voi nähdä.
- Penkereiden ja viettävien rinteiden leikkuu voi olla vaarallista. Älä käytä leikkuria viettävillä rinteillä.
- Käytä ruohonleikkuria aina tasaisella alustalla, ja rinteessä ollessasi seiso sen yläpuolella niin, että sytytystulppa on ylimpänä estääksesi voiteluöljyä valumasta sylinteriin.
- Älä käytä ruohonleikkuria rinteissä, jotka ovat märkiä tai joiden kallistuskulma on yli 45 astetta.
- Älä koskaan työnnä ruohonleikkuria rinnettä ylöspäin.

## Leikkuuterän ja puhaltimen irrottaminen ja asennus

Käsittele leikkuuterää aina varovasti, sillä terävät reunat voivat aiheuttaa tapaturman. **KÄYTÄ HANSIKKAITA.** Sytytystulpan johto voi olla kuumentunut - käsittele sitä varoen.

Leikkuuterän ja puhaltimen irrottaminen

- Vaihda metallinen leikkuuterä riippumatta sen kunnosta aina 50 käyttötunnin tai 2 vuoden käytön jälkeen riippuen siitä kumpi niistä on täytynyt ensimmäiseksi.
- Jos leikkuuterä on murtunut tai vaurioitunut, vaihda se uuteen.
- 1. Varmista että turvakytin on vapautettu moottorin pysähtymisen jälkeen, ja että leikkuuterä on lakannut pyörimästä - irrota sytytystulpan johto.
- 2. Sulje polttoainehana (K).
- 3. Käännä ruohonleikkuri kyljelleen niin, että ilmanpuhdistaja on ylimpänä (kts. kuva yläpuolella).
- 4. Irrotaaksesi leikkuuterän pultin (P1) pidä tukevasti kiinni puhaltimesta (P4) ja löysää pulttia mutteriavaimella vastapäivään kääntämällä.
- 5. Poista leikkuuterän pultti (P1), leikkuuterä (P2), välikkeet (P3) ja puhallin (P4).
- 6. Tarkasta mahdollisten vaurioiden varalta ja puhdistat tarvittaessa.

### Leikkuuterän ja puhaltimen asennus

- Tarkasta leikkuuterien ja pulttien kuluneisuus ja mahdolliset vauriot ennen käyttöä.
- Älä käytä koskaan 2 useampaa korkeusvälikettä.
- Välikkeet on aina sijoitettava leikkuuterän ja puhaltimen välille; niitä ei saa koskaan sijoittaa leikkuuterän ja pultin välille.
- 1. Varmista, että puhallin on asennettu oikealla tavalla.
- 2. Aseta välikkeet (P3) puhaltimeen varmistuen, että tapit (P5) on asetettu reikiin (P6).
- 3. Aseta leikkuuterä (P2) välikkeisiin (P3) varmistuen, että tapit (P7) on asetettu leikkuuterän reikiin (P8) ja varmistuen, että leikkuuterä on asetettu kuvan P osoittamalla tavalla.
- 4. Aseta leikkuuterän pultti (P1) leikkuuterän keskimmäisen reiän (P9) läpi.
- 5. Kiristä käsin myötäpäivään.
- 6. Pidä tukevasti kiinni puhaltimesta ja kiristä leikkuuterän pultti mukana toimitettua mutteriavainta käyttämällä.

## Sytytystulppa

Öljyinen tai karstoittunut sytytystulppa vaikeuttaa käynnistämistä heikentäen moottorin suorituskykyä. Irrota sytytystulppa ajoittain puhdistusta ja säätöä varten.

Kärkiväli 0,071 – 0,078 cm.

Älä irrota sytytystulppaa moottorin ollessa kuuma. Älä puhdistat sytytystulppaa hiekkapuhaltamalla.

## Ilmansuodattimen puhdistaminen

### Q1 - Ilmakanava, Q2 - Ilmanpuhdistimen runko,

### Q3 - Suodatin, Q4 - Kiinnittimet,

### Q5 - Ilmanpuhdistimen suojakansi

Älä koskaan käynnistä moottoria ilman suodatinta tai suodattimen ollessa likainen. Tämä heikentää moottorin suorituskykyä ja vahingoittaa sitä. Tässä ruohonleikkurissa on ilmanpuhdistin. Ilmanpuhdistimen kunnossapito:

- **Tarkista suodatin aina ennen jokaista käyttöä.**
- **Puhdista 25 tunnin välein tai useammin pölyisissä olosuhteissa.**
- **Vaihda suodatin 200 tunnin välein.**

1. Paina ilmanpuhdistimen suojakannessa olevia kiinnittimiä ja irrota kansi.

2. Tarkista, että suodatin on puhdas ja ehjä.

### Suodattimen ollessa likainen: -

Koputa ilmansuodatinta kovaa pintaa vasten useita kertoja, jotta lika irtoaa tai puhalla paineella ilmansuodattimen läpi moottorin vastaiselta puolelta puolelta. Älä irrota likaa harjalla, harjaus jättää lian kuituihin.

3. Pyyhi lika ilmanpuhdistajan rungosta ja suojuksen päältä kostealla rievulla. Varo lian joutumista ilmakanavaa pitkin kaasuttimeen.
4. Laita suodatin ja ilmanpuhdistimen suojus takaisin paikoilleen.

## Leikkurin huolto

### Jos et aio käyttää ruohonleikkuria pitkähköön aikaan, suosittelemme seuraavia toimenpiteitä:

1. Sammuuta moottori.
2. Sulje polttoainehana. **(K)**
3. Käynnistä moottori uudestaan.
4. Polttoaineen loppuessa moottori alkaa pysähtyä; kallista ruohonleikkuria vähän.
5. Moottorin pysähdyttyä, vapauta käyttäjän kytkin.
6. Irrota sytytystulpan johto.
7. Tyhjennä polttoainesäiliö.

### Puhdistus

#### • KÄYTÄ HANSIKKAITA

- **Pidä ruohonleikkuri puhtaana, sillä ilmareikiin, moottorin ympärille tai alustan alle tarttunut ruoho voi aiheuttaa tulipalovaaran.**
- **Älä käytä puhdistuksessa kemiallisia aineita kuten bensiniä tai liuottimia, sillä ne saattavat vaurioittaa tärkeitä muoviosia.**

1. Poista ruoho alustan alta käyttämällä puutukkaa tms.
2. Poista ruoho pehmeän harjan avulla moottorin ympäriltä ja ilmarei'istä.
3. Irrota puhallin (ks. jakson 'Leikkuuterän irrottaminen ja asennus' antamia ohjeita) ja puhdista se pehmeän harjan avulla.
4. Pyyhi ruohonleikkurin pinta kuivalla kangasrievulla.

### Ruohonleikkurin kuljettaminen

- Käännä polttoainehana pois-(off)asentoon ja kuljeta leikkuria vaakatasossa.
- Sammuta leikkuri aina kuljetuksen ajaksi.

### Ruohonleikkurin säilyttäminen

Käännä polttoainehana pois-(off)asentoon ja säilytä leikkuria vaakatasossa viileässä, kuivassa, kosteuseristetyssä ja turvallisessa paikassa.

Huolla ruohonleikkuri kauden viimeisen leikkuun jälkeen seuraavalla tavalla:

1. Sammuuta moottori.
2. Sulje polttoainehana. **(K)**
3. Käynnistä moottori uudestaan.
4. Polttoaineen loppuessa moottori alkaa pysähtyä; kallista ruohonleikkuria vähän.
5. Moottorin pysähdyttyä, vapauta käyttäjän kytkin .
6. **Irrota sytytystulpan johto.**
7. Tyhjennä polttoainesäiliö.
8. Poista sytytystulpan johto ja sytytystulppa. Kaada teelusikallinen (5 ml) öljyä sytytystulpan reian läpi. Vedä käynnistyskahvasta 2-3 kertaa. Tämä levittää öljyn moottorin sisäpinnoille. Tarkasta ja puhdista sytytystulppa ja aseta se paikoilleen. Jos tarvitset uuden tulpan, ota yhteys paikalliseen Electrolux Outdoor Products-kauppiaseen. **Älä uudelleenliitä sytytystulpan johtoa.**
9. Puhdista ilmasuodatin. Ks. jakson 'Ilmasuodattimen puhdistus' antamia ohjeita.
10. Vaihda leikkuuterä uuteen, jos se on murtunut, vaurioitunut tai taipunut. Vaihda leikkuuterän pultti uuteen tarvittaessa. Ks. jakson 'Leikkuuterän ja puhaltimen irrottaminen ja asennus' antamia yksityiskohtaisia ohjeita.
11. Käytä vain alkuperäisiä tätä tuotetta varten määriteltäviä Flymo-varaosia ja tarvikkeita.
12. Puhdista ruohonleikkuri perin pohjin. Ks. jakson 'Puhdistus' antamia ohjeita.
13. Paikallinen Electrolux Outdoor Products-palvelupiste on valmis suorittamaan tarvittavat huolto- tai korjaustoimet.
14. Säilytä ruohonleikkuria viileässä, kuivassa ja turvallisessa paikassa.

## Vianetsintäohjeet

### Moottori ei käynnisty

1. Varmista, että käyttäjän kytkin on puristettu tukevasti yläkahvaa vasten.
2. Tarkista, että polttoainesäiliössä on riittävästi polttoainetta ja että polttoainehana on auki.
3. Tarkista, että kuristuslähän vipu on oikeassa asennossa: ala-asennossa **(N)** leikkurin ollessa kuuma ja keski-asennossa **(L)**, jos kone on ollut käynnissä.
4. Moottori on 'saanut liikaa', irrota ja kuivaa sytytystulppa.
5. Vanha polttoaine - vaihda.
6. Tarkasta terän pultin kiinnitys, löysä pultti voi vaikeuttaa käynnistystä.
7. **Jos moottori ei käynnisty, irrota sytytystulpan johto ja kysy neuvoa paikalliselta Electrolux Outdoor Products-kauppiailta.**

### Huono juoksevuus tai vähäinen teho

1. Irrota sytytysjohto.
  2. Puhdista kuomun alapuoli, ilmanpuhdistin, puhallin sekä moottorin ja ilmanottoaukkojen ympäristö.
  3. Katso että moottorin säätövipu on normaaliasennossa.
  4. Vanhatai väärä polttoaineseos - vaihda.
  5. **Jos heikko juoksevuus tai tehon vähyys jatkuvat, irrota sytytystulpan johto ja ota yhteys paikalliseen Electrolux Outdoor Products-kauppiaseen**
- ### Liiallinen värinä
1. Irrota sytytystulpan johto.
  2. Katso että terä on kunnolla kiinni. **Kts. 'Terän ja puhaltimen irrotus ja kiinnitys'.**
  3. Vaida terä, jos se on vaurioitunut tai kulunut.
  4. **Jos värinä jatkuu, lopeta leikkurin käyttö. Irrota sytytystulppa ja kysy neuvoa Electrolux Outdoor Products-kauppiailta.**

## Montering (utan hjul)

### Ditsättning av nedre handtag

1. Mata haken (A2) som sitter på handtagets underdel (A1) halvvägs genom mitturtaget på gejden (A3) i den riktning som pilen (A4) visar.
2. Med haken (A2) insatt i gejdens (A3) mitturtag, vrid handtagets underdel (A1) medsols 90° för att sätta underdelens båda ben på plats in mellan fästena ovanpå kåpan (A5).
3. Sätt in sprintarna (B1) och sätt fast dem med stoppbyglarna (B2).

### Montering av handtagets överdel på underdelen

**INNAN** handtagets överdel monteras på underdelen ska underdelen stabiliseras genom att man lyfter haken (C1) till "parkeringsläget" (C2).

1. Se till att spaken för choken sitter på vänstra sidan sedd bakifrån.
2. Passa in övre och nedre handtagen mot varandra (D). Sätt dit skruvarna (D1), brickorna (D2) och drag åt med rattarna (D3) på handtaget.
3. Montera kablar på handtagen med de medlevererade kabelbanden och se till att kablarna inte fastnar mellan det övre och nedre handtaget.

## Montering (med hjul)

1. Montera fast det nedre handtaget (B1) med den nedre handtagssprinten (B2) så som bild B visar.
2. Fäst hjulen (C1) på hjulstommen (C2) med hjulstoppbyglarna (C3), så som bild C visar.
3. Montera fast hjulstommen (D1) med den nedre handtagsskruven (D2), den lilla brickan (D3), den stora brickan (D4) och låsmuttern (D5), så som bild D visar.

4. Placera in de nedre utdragbara rören (E1) inuti de övre utdragbara rören (E2) och lås till med sprinten (E3) och stoppbygeln (E4), så som bild E visar.

**Montera det övre handtaget på det under handtaget genom att följa instuktionerna ovan i avsnittet Montering (utan hjul).**

## Inställning av handtagets läge

### Inställning av handtagets läge

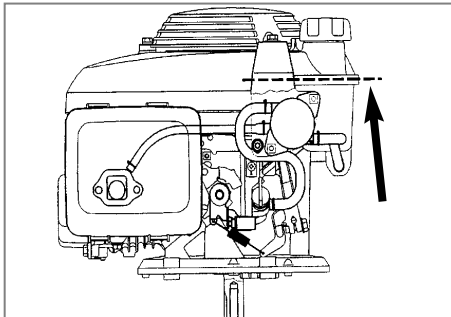
Handtagets läge kan ställas in med gejd- och hakanordningen. Ställ in handtagets läge på följande sätt:

1. Lyft haken (C1).
2. Ställ in den i önskat läge: (C2) "parkeringsläge", (C3) "förflyttningsläge"

## Bränsle

### Använd färsk, ren och blyfri bensin för bilar.

Fyll inte på bränsletanken i ett slutet rum när motorn är varm eller om du röker eller är nära en naken låga. Rengör noggrant runt påfyllningslocket för bränsletanken innan du fyller på då detta kommer att förhindra att smuts kommer in i bränslesystemet. Bränsle skall alltid förvaras på en sval plats och aldrig i närheten av den öppna lågan. Fyll inte tanken medan motorn är igång. Fyll bränsletanken genom en tratt som är försedd med ett fint filter. Fyll aldrig tanken helt full, fyll till nedre delen av påfyllningsröret. När tanken fylls på från tom eller om motorn tidigare har kört tanken tom måste du fylla på minst 400 cc bränsle (till den nivån som anges av linjen på bilden) för att du skall vara säker på att bränslepumpen har tillräckligt med bränsle för att starta motorn. Din förgasare är fabriksinställd. Den kräver normalt ingen justering.



## Olja

Använd en fyrtakts olja för bilar. SAE 10W-30 rekommenderas för normal användning.

Fyll på oljan enligt instruktionerna i din motorhandbok som medföljer leveransen.

## Start och stopp

### Starta gräsklipparen

1. För handtaget till parkeringsläget (C2).
2. Anslut tändkabeln (J)
3. Öppna bränslekranen (K).
4. För chokespaken till läge "Choke" (L) när du startar en kall motor och till läge "Run" (Kör) (N) när du startar en varm motor.
5. Drag i reglaget och håll det stadigt mot övre handtaget..
6. Placera din fot stadigt på däck och ta tag i överdelen på det nedre handtaget med din vänstra hand. Luta gräsklipparen mot dig (M). Detta säkerställer att gräsklipparen står i ett säkert läge när du startar och förhindrar också att den klipper fula ringar i din gräsmatta.
7. Drag försiktigt starthandtaget mot Dig, tills Du känner ett motstånd och släpp sakta tillbaka handtaget.

8. Ryck starthandtaget mot Dig så långt det går.
9. Låt motorn nå fullt arbetsvarv och sänk seden sakta ned gräsklipparen till marken.
10. Då motorn blivit varm, se till att reglaget står i normal-läget (N).

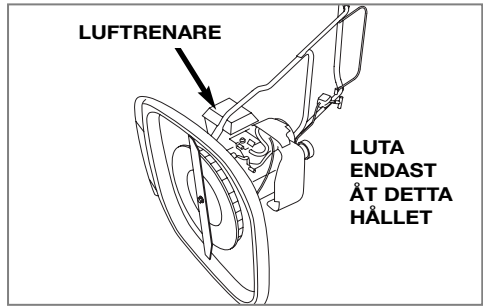
### Stoppa gräsklipparen

- Kniven fortsätter att rotera sedan maskinen kopplats av. Roterande knivar kan vålla skador.
1. Släpp reglaget.
  2. Luta gräsklipparen något när motorn stannar, så gör den inte en ring i gräsmatten.
  3. Då motorn stannat, sänk ned gräsklipparen till marken.
  4. Ställ handtaget i parkeringsläget (C2).
  5. Stäng bränslekranen (K).



## VIKTIGT

Innan någon service utförs på maskinens undersida, stäng bränslekranen, låt motorn gå tills den stannar, koppla bort kablenn till tändstiftet och **LÄGG MASKINEN PÅ SIDAN MED LUFTRENAREN ÖVERST**



## Justering av klippningshöjden

- Använd aldrig fler än 2 distansbrickor för klipphöjden.
  - Distansbrickorna får bara monteras mellan kniven och fläkten, aldrig mellan kniven och skruven (P).
1. Se till att reglaget släpps när motorn stannat -lossa tändkabeln.
  2. Stäng bränslekranen (K). Lagg gräsklipparen på sidan.
  3. Avlägsna bladbulten (P1) och bladet (P2) enligt instruktionerna i "Hur du avlägsnar blad och fläkt".
  4. Kortare klippning - Lagg till högst 2 distansbrickor (P3).
  5. Högre klipphöjd - Tag bort distansbrickor (P3).
  6. Sätt tillbaka bladet enligt instruktionerna i "Hur du monterar blad och fläkt".

### Hur man klipper

1. Sätt handtaget i klippäge (C3).
  2. Klipp två gånger i veckan under växtsäsongen. Din gräsmatta far illa, om Du klipper av mer än en tredjedel av grässets längd, vid varje klippning.
- Håll undan händer och fötter från kniven, den roterande kniven syns inte.
  - Det kan vara farligt att klippa på sluttningar och vallar. Undvik branta backar.
  - Stå alltid på plan mark med gräsklipparen nedanför dig på sluttningen och med tändstiftet överst för att undvika att smörjolja rinner in i cylindern.
  - Använd inte gräsklipparen på sluttningar som är våta eller lutar mer än 45° från horisontalplanet.
  - För aldrig gräsklipparen upp för sluttningen.

## Borttagning och montering av kniv och fläkt

Hantera alltid kniven försiktigt - vassa kanter kan vålla skador. **ANVÄND HANDSKAR**  
Tändkabeln kan vara het - hantera den försiktigt.  
**Borttagning av kniv och fläkt**

- Byt ut metallkniven efter 50 timmars klippning eller 2 år, vilket som inträffar först - oavsett skicket.
  - Om kniven är sprucken eller skadad ska den bytas ut mot en ny.
1. Släpp reglaget när motorn har stannat och kniven har slutat rotera - lossa tändkabeln.
  2. Stäng bränslekranen helt (K).
  3. Vänd din gräsklippare på sidan med luftrenaren överst (se illustration ovan).
  3. För att ta bort knivskruven (P1), håll fläkten (P4) stadigt och vrid loss knivskruven moturs med den medföljande skruvnyckeln.
  4. Tag bort knivskruven (P1), kniven (P2), distansbrickorna (P3) och fläkten (P4).
  5. Se efter om det finns skador och rengör efter behov.

### Montering av kniv och fläkt

- Före användning bör du alltid undersöka om kniven och skruvarna ser slitna eller skadade ut.
  - Använd aldrig fler än 2 distansbrickor för klipphöjd.
  - Distansbrickorna får bara monteras mellan kniven och fläkten och aldrig mellan kniven och skruven.
1. Se efter att fläkten sitter rätt.
  2. Placera distansbrickorna (P3) på fläkten så att tapparna (P5) sitter i hålen (P6).
  3. Placera kniven (P2) på distansbrickorna (P3) så att tapparna (P7) går in i hålen (P8) på kniven och kniven placeras så som visas i fig. P.
  4. Sätt knivskruven (P1) genom centrumhålet (P9) på kniven.
  5. Drag åt medsols för hand.
  6. Håll fläkten stadigt och drag åt knivskruven med medföljande skruvnyckel.

## Tändstift

Ett tändstift med olje- eller kolbeläggning gör motorn svår att starta och minskar dess effektivitet. Skruva ur tändstiftet med jämna mellanrum och rengör och justera när så behövs.

Spalt 0,028" – 0,031"  
Skruva inte ur tändstiftet när motorn är varm.  
Sandblåstra inte tändstiftet för att rengöra det.



## Rengöring av luftfilter

### Q1 – Luftkanal

### Q2 – Luftrenarens kropp

### Q3 – Filter

### Q4 – Låstungor

### Q5 – Luftrenarens lock

Kör aldrig motorn utan filter eller med ett smutsigt filter. Detta kommer att ha stor inverkan på motorns effektivitet och orsaka skador på motorn.

Din gräsklippare är försedd med en luftrenare som skall underhållas enligt följande:

- **Kontrollera filtret för varje användning**
- **Rengör regelbundet efter 25 timmars användning eller oftare om gräsklipparen körs i dammiga områden.**

- **Byt regelbundet ut filtret efter 200 timmar.**

1. Tryck på låstungorna överst på luftrenarens lock och avlägsna locket
2. Kontrollera att filtret är rent och i gott skick.

#### Om filtret är smutsigt:

- Slå luftfiltret åtskilliga gånger mot en hård yta för att avlägsna smuts eller blås tryckluft genom filtret från den rena sidan som sitter mot motorn. Försök aldrig borsta bort smuts. Borstning gör att smutsen tränger in i fibrerna.
3. Torka bort smuts från luftrenarens kropp och lock med en fuktig trasa. Var försiktig så att smuts inte tränger in i luftkanalen som leder till förgasaren.
  4. Sätt tillbara filtret och luftrenarens lock.

## Gräsklipparens skötsel

Om Du avser att inte använda gräsklipparen under en längre tid, bör Du förfara enligt följande:

1. Stäng av motorn.
2. Stäng bränslekranen helt (K).
3. Starta om motorn.
4. När bränslet börjar ta slut och motorn visar tecken på att stanna, luta gräsklipparen en aning.
5. Då motorn har stannat, släpp reglaget.
6. Tag bort tändkabeln från tändstiftet.
7. Töm ur all bensin ur tanken.

#### Rengöring

##### • ANVÄND HANDSKAR

• **Håll gräsklipparen ren - gräs som blivit kvar i luftintagen, runt motorn eller under klippkåpan kan utgöra en brandfara.**

• **Rengör inte maskinen med kemikalier, bensin eller lösningsmedel - det kan förstöra viktiga plastdelar.**

1. Avlägsna gräs under klippkåpan med en pinne eller liknande.
2. Borsta bort gräs runt motorn och alla luftintag med en mjuk borste.
3. Tag bort fläkten (se "Borttagning och montering av kniv och fläkt") och rengör med en mjuk borste.
4. Torka av maskinen med en torr trasa.

#### Transport av din gräsklippare

- Vrid bränslekranen till stängt läge och transportera med motorn i horisontalläge.
- Transportera aldrig gräsklipparen med motorn igång.

#### Förvaring av gräsklipparen

Vrid bränslekranen till stängt läge och förvara gräsklipparen på en sval, torr, fuktfri och säker plats med motorn i horisontalläge.

Ge gräsklipparen service efter sista klippningen för året på följande sätt:

1. Stäng av motorn.
2. Stäng bränslekranen helt (K).
3. Starta om motorn.
4. När bränslet börjar ta slut och motorn visar tecken på att stanna, luta gräsklipparen en aning.
5. Då motorn har stannat, släpp reglaget.
6. **Tag bort tändkabeln från tändstiftet.**
7. Töm ur all bensin ur tanken.
8. Tag bort tändkabeln och tändstift. Häll en tesked (5 ml) olja genom tändstifthålet. Drag i starthandtaget 2-3 gånger. Detta fördelar olja på motorns invändiga ytor. Undersök, rengör och sätt tillbaka tändkabeln. Om det behövs ett nytt tändstift, kontakta närmaste auktoriserade serviceställe/återförsäljare för Electrolux Outdoor Products.
9. Rengör luftfiltret (Se Rengöring av luftfiltret).
10. Byt kniv om den är sprucken, skadad eller skev. Byt knivskruv om det behövs (Se Borttagning och montering av kniv och fläkt betr. fullständiga anvisningar).
11. Använd endast original Flymo reservdelar och tillbehör som specificeras för denna maskin.
12. Rengör maskinen noga (Se Rengöring).
13. Electrolux Outdoor Products auktoriserade serviceställe/återförsäljare kan utföra alla nödvändiga servicearbeten och reparationer.
14. Förvara gräsklipparen på en sval, torr, fukt- och stöldsäker plats.

## Tips för felsökning

#### Motorn vill inte starta

1. Se till att reglaget hålls stadigt fast mot övre handtaget.
2. Kontrollera att det finns tillräckligt med bränsle i bränsletanken och att bränslekranen är öppen.
3. Kontrollera att spaken för choken står i rätt läge: "Run" (Kör) (N) för en varm motor, "Choke" (L) för en kall motor.
4. Kanske motorn har flöddats. Tag bort och torka tändstiftet.
5. Bränsleblandningen kanske är för gammal och avslagen - om så är fallet, tapp ur och fyll på nytt bränsle.
6. Kontrollera att fästbulten för kniven är väl åtdragen. Om denna skruv är lös kan det försvåra start av motorn.
7. **Om motorn fortfarande inte vill starta, lossa tändkabeln och rådfråga Electrolux Outdoor Products auktoriserade serviceställe/återförsäljare.**

#### Dålig svärförmåga eller bristande effekt

1. Koppla bort tändkabeln.
2. Gör rent under huven. Gör rent luftfiltret, fläkten och runt motorn vid luftintagen.
3. Kontrollera att kontrollspaken för choken står i läge "Run" (Kör) (N)
4. Bränsleblandningen kanske är felaktig eller för gammal - om så är fallet, byt bränsle.
5. **Om dålig svärförmåga eller bristande effekt kvarstår, lossa tändkabeln och rådfråga Electrolux Outdoor Products auktoriserade serviceställe/återförsäljare.**

#### För mycket vibration

1. Koppla loss tändkabeln.
2. Kontrollera att kniven är rätt monterad. Se "Ditsättning och borttagning av kniv och fläkt".
3. Om kniven är skadad eller sliten, skall den bytas.
4. **Om vibrationen kvarstår - använd inte maskinen - lossa tändkabeln och rådfråga Electrolux Outdoor Products auktoriserade serviceställe/återförsäljare.**

## Samling (uden hjul)

### Montering af det nederste håndtag på plæneklipperen.

1. Før krogen (A2), der er forbundet til det nederste håndtag (A1), halvvejs gennem det midterste hul på styreskinnen (A3) i pilens (A4) retning.
2. Hold krogen (A2) i det midterste hul på styreskinnen (A3), og drej det nederste håndtag (A1) 90° i urets retning, så begge det nederste håndtags ben placeres mellem hver af kappekonsollerne (A5).
3. Sæt tapperne (B1) i, og hold dem på plads med holdeklammerne (B2).

### Sådan monteres øverste håndtag på det nederste.

**FØR** montering af øverste håndtag på det nederste, skal det nederste håndtag stabiliseres ved at løfte krogen (C1) hen i 'parkeringsposition' (C2).

1. Kontrollér, at chokerbetjeningsgrebet befinder sig i venstre side set bagfra.
2. Anbring de nederste og øverste håndtagud for hinanden (se fig. D). Monter boltene (D1), spændeskiverne (D2) og spænd dem fast med håndtagsgrebene (D3).
3. Fastgør kablerne til håndtagene med de medfølgende kabelbånd, og sørg for, at kablerne ikke kommer i klemme mellem det øverste og nederste håndtag.

## Samling (med hjul)

1. Sæt det nederste håndtag (B1) fast på skjoldet med stiften (B2) til det nederste håndtag som illustreret i fig. B.
2. Sæt hjulene (C1) på hjulstellet (C2) med hjulclips (C3) som illustreret i fig. C.
3. Sæt hjulstellet (D1) på skjoldet med boltene (D2) til det nederste håndtag, den lille spændeskive (D3), den store spændeskive (D4) og låsemøtrikken (D5)

som illustreret i fig. D.

4. Placér de nederste teleskoprør (E1) inden i de øverste teleskoprør (E2), og sæt dem fast med stiften (E3) og clipsen (E4) som illustreret i fig. E.

**Fastgør det øverste håndtag på det nederste håndtag ved at følge anvisningerne ovenfor i afsnittet 'Samling (uden hjul)'.**

## Håndtagets position

Håndtagets position kan justeres ved hjælp af styreskinne-/kroge. Håndtagets position justeres ved at

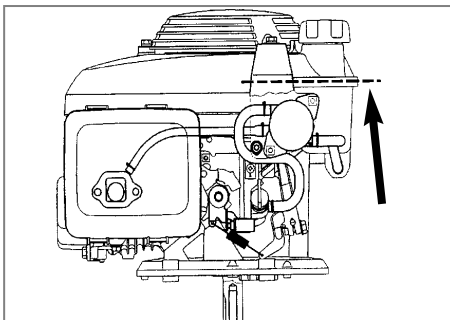
1. Løfte kroge (C1)

2. Indstille den som ønsket:  
(C2) - Parkering  
(C3) - Plæneklipping.

## Brændstof

### Brug ny, ren, blyfri, almindelig benzin

Fyld ikke brændstoftanken i et lukket område, når motoren er varm, hvis du ryger eller står i nærheden af åben ild. Rengør området omkring brændstofdækslet før påfyldningen, da dette medvirker til at forhindre snavs i at trænge ind i brændstofsysteet. Brændstof skal opbevares køligt og ikke i nærheden af åben ild. Fyld ikke tanken, mens motoren kører. Fyld brændstoftanken gennem en tragt med et fint filter. Fyld aldrig brændstoftanken helt, men kun til den nederste del af påfyldningsstudsene. Når brændstoftanken fyldes fra tom, eller når motoren tidligere er kørt tør, skal der påfyldes mindst 400cc brændstof (til niveauet for den linje, der er angivet i diagrammet) for at prime brændstofpumpen korrekt, så motoren kan startes. Karburatoren er forudindstillet. Normalt kræves der ingen yderligere justering.



## Olie

Brug en firetakts motorolie. SAE 10W-30 anbefales til almindelig brug.

Påfyld olien som anvist i manualen til motoren, der følger med produktet.

## Start og stop

### Start af plæneklipperen

1. Flyt håndtaget til parkeringspositionen (C2)
2. Forbind tændrørskablet (J).
3. Åbn brændstofhanen (K).
4. Sæt chokerbetjeningsgrebet i chokerpositionen (L), hvis motoren er kold, og i kør-positionen (N), hvis motoren er varm.
5. Træk og fasthold betjeningshåndtaget (Operator Presence Control) mod øverste håndtag.
6. Sæt højre fod på skjoldet, og tag fast i toppen af det nederste håndtag med venstre hånd. Vip klipperen mod dig (M). Dette sikrer, at produktet er i en sikker position under starten og forhindrer også, at der klippes en grim ring i plænen.
7. Træk forsigtigt i starthåndtaget, indtil der mærkes modstand, lad langsomt starthåndtaget returnere.
8. Træk starthåndtaget fast ind mod dig selv i dets fulde længde.

9. Lad motoren nå op på dens fulde omdrejningstal, hvorefter plæneklipperen forsigtigt sænkes ned på jorden.
10. Når motoren er varmet op, skal du kontrollere at kontrolhåndtaget er i 'Normal' position (N).

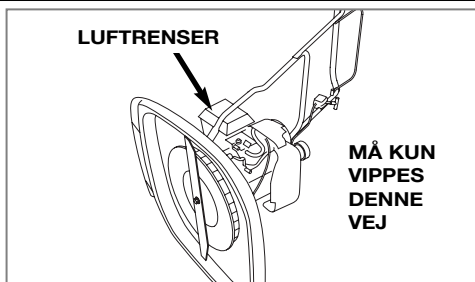
### Standstning af græsslåmaskinen

• **Kniven vil fortsat rotere også efter, at man har afbrudt for maskinen, og roterende knive kan føre til kvæstelser.**

1. Udløs betjeningshåndtaget (Operator Presence Control).
2. Hold plæneklipperen på skrå, når motoren dør. Det forhindrer at der klippes en ring i din græsplæne.
3. Når motoren er gået i stå, sænkes plæneklipperen ned på jorden.
4. Anbring håndtaget i parkeringspositionen (C2).
5. Luk brændstofhanen (K).

## VIGTIGT

Før der udføres reparationer eller vedligeholdelse på produktet, skal brændstofhanen lukkes. Lad motoren køre, indtil den stopper, tag tændledningen ud, og **VIP PLÆNEKLIPPEREN OM PÅ SIDEN MED LUFTRENSEREN OPAD.**



## Justering af klippehøjden

### Justering af klippehøjden

- Der må højst benyttes 2 afstandsskiver.
  - Afstandsskiverne kan kun monteres mellem kniven og blæsehjulet, og aldrig mellem kniven og boltene. (P)
1. Sørg for at Operator Presence Control er udløst, når motoren ikke længere roterer - og afbryd for tændrørsledningen.
  2. Luk brændstofhanen (K). Læg plæneklipperen ned på siden.
  3. Tag knivbolten (P1) og kniven (P2) af som beskrevet under 'Fjernelse af kniv og ventilator'.
  4. Lavere klipning opnås ved at tilføje højst 2 afstandsskiver (P3).
  5. Højere klipning opnås ved at fjerne afstandsskiverne (P3).
  6. Sæt kniven på igen som beskrevet i 'Montering af kniv og ventilator'.

### Således klippes græsset

1. Sæt håndtaget i arbejdspositionen (D3).
  2. Klip to gange om ugen i vækstsæsonen, da plænen vil tage skade, hvis der klippes mere end en trediedel af ad gangen.
- Sørg for at hænder og fødder ikke er i nærheden af kniven, da en roterende kniv ikke kan ses.
  - Det kan være farligt at klippe græs på stejle skrånninger. Der må ikke klippes græs på stejle skrånninger.
  - Stå altid på en flad overflade med plæneklipperen under dig på skrånningen og med tændrøret øverst, så du undgår, at der løber smørelolie ned i cylinderen.
  - Brug ikke plæneklipperen på skrånninger, der er våde eller hældes mere end 45 grader.
  - Skub aldrig plæneklipperen op ad skrånningen.

## Demontering & montering af kniv og blæsehjul

Man skal altid være forsigtig ved omgang med kniven - de skarpe kanter kan føre til kvæstelser. BRUG HANDSKER. Tændrørsledningen kan være varm - vær forsigtig

### Demontering af kniv og blæsehjul

- Metalkniven udskiftes efter hver 50 timers græsklipping eller hvert andet år, afhængigt af hvad der kommer først - og uanset knivens tilstand.
  - Hvis kniven er revnet eller beskadiget, skal den udskiftes med en ny.
1. Sørg for at Operator Presence Control (Betjeningshåndtaget) er udløst, når motoren er standset, og kniven ikke længere roterer - afbryd for tændrørsledningen.
  2. Luk brændstofhanen helt (K).
  3. Vend plæneklipperen om på siden med luftrenseren øverst (se ovenstående billede).
  4. Knivbolten (P1) fjernes ved at holde fast på blæsehjulet (P4) og bruge den vedlagte nøgle til at løsne knivbolten ved at dreje den mod uret.
  5. Fjern knivbolten (P1), kniven (P2), afstandsskiverne (P3) og blæsehjulet (P4).
  6. Inspicer for skader og rengør efter behov.

### Montering af kniv og blæsehjul

- Inden brug skal man altid visuelt undersøge, at kniven og boltene hverken er slidte eller beskadigede.
  - Brug aldrig mere end 2 afstandsskiver.
  - Afstandsskiverne kan kun monteres mellem kniven og blæsehjulet, og aldrig mellem kniven og boltene.
1. Sørg for at blæsehjulet er korrekt anbragt.
  2. Anbring afstandsskiverne (P3) på blæsehjulet, og sørg for at tapperne (P5) griber ind i hullerne (P6).
  3. Anbring kniven (P2) ovenpå afstandsskiverne (P3) og kontroller at tapperne (P7) griber ind i hullerne (P8) på kniven, idet kniven anbringes som vist på tegningen i figur P.
  4. Før knivbolten (P1) gennem knivens midterhul (P9).
  5. Spænd efter med hånden i urets retning.
  6. Hold fast om blæsehjulet og stram knivbolten med den vedlagte nøgle.

## Tændrør

Et tændrør fyldt med olie eller sod gør det svært at starte plæneklipperen og mindsker dens effektivitet. Tag tændrøret af med jævne mellemrum for at rengøre og justere det efter behov.

Afstandsindstilling 0,028-0,031".

Tag ikke tændrøret af, når plæneklipperen er varm. Sandblæs ikke tændrøret for at rengøre det.

## Rengøring af luftfilteret

### Q1 - Luftaftræk, Q2 - Luftrenserkasse, Q3 - Filter, Q4 - Holdetap, Q5 - Luftrenserdæksel

Lad aldrig motoren køre uden filter, eller hvis filteret er snavset. Dette vil reducere motorens effektivitet voldsomt og føre til beskadigelse af motoren.

Plæneklipperen er udstyret med en luftrenser, der skal vedligeholdes, som følger:

- **Efterse filteret før hver brug.**
- **Rengør filteret efter 25 timers brug eller oftere, hvis det anvendes i støvede områder.**
- **Udskift filteret hver 200. time.**

1. Tryk på holdetapperne øverst på luftrenserdækslet, og tag dækslet af.
2. Kontrollér, at filteret er rent og i god stand.

#### Hvis filteret er snavset:

- Bank luftfilteret flere gange mod en hård overflade for at fjerne snavs, eller blæs trykluft gennem luftfilteret fra den rene side, der vender mod motoren. Prøv aldrig at børste snavs af, da dette vil tvinge snavset ind i fibrene.
3. Tør snavs af luftrenserkassen og -dækslet med en fugtig klud. Sørg for, at der ikke kommer snavs ind i luftaftrækket, som fører til karburatoren.
  4. Sæt filteret og luftrenserdækslet på igen.

## Renholdelse af plæneklipperen

Hvis du ikke har til hensigt at bruge din plæneklipper i længere tid, tilrådes det at følge denne fremgangsmåde efter brugen:

1. Stands motoren.
2. Luk brændstofhanen helt. **(K)**
3. Start motoren igen
4. Når motoren løber tør for brændstof, stopper den, og du kan vippe plæneklipperen en anelse.
5. Når motoren er standset, udløs Operator Presence Control (betjeningshåndtaget).
6. Tag tændrørsledningen af.
7. Tøm brændstofbeholderen.

#### Rensning

##### • BRUG HANDSKER

- **Din plæneklipper skal holdes ren - eventuelle græsrester i luftindtagene, i nærheden af motoren eller under låget kan være brandfarlige.**
- **Der må ikke renses med kemikalier, benzin eller opløsningsmidler, da nogle af disse kan ødelægge plastikdelene.**

1. Man fjerner græs fra klipperens underdel med et stykke træ eller lignende.
2. Med en blød børste fjerner man græsrester fra motorområdet og fra alle luftindtagene.
3. Fjern blæsehjulet, se afsnittet 'Demontering og montering af kniv og blæsehjul', og rens med en blød børste.
4. Aftør plæneklipperen med en tør klud.

#### Transport af plæneklipperen

- Luk brændstofhanen, og transporter plæneklipperen med motoren i vandret position.
- Transportér aldrig plæneklipperen, mens den kører.

#### Opbevaring af plæneklipperen

Luk brændstofhanen, og opbevar plæneklipperen på et køligt, tørt, fugtsikkert og sikkert sted med motoren i vandret position.

Efter årets sidste græsklipping serviceres plæneklipperen på følgende måde:

1. Stands motoren.
2. Luk brændstofhanen helt. **(K)**
3. Start motoren igen
4. Når motoren løber tør for brændstof, stopper den, og du kan vippe plæneklipperen en anelse.
5. Når motoren er standset, udløs Operator Presence Control (betjeningshåndtaget).
6. **Tag tændrørsledningen af.**
7. Tøm brændstofbeholderen.
8. Fjern tændrørsledningen og tændrøret. Hæld én teskefuld (5ml) olie gennem tændrørshullet. Træk i starthåndtaget 2 eller 3 gange. Dette fordeler olie over motorens indvendige overflader. Inspicer, rens og udskift tændrøret. Hvis der er brug for et nyt tændrør, skal du kontakte dit lokale godkendte Electrolux Outdoor Products serviceværksted. **Tændrørsledningen må ikke tilsluttes igen.**
9. Rens luftfilteret. Se '**Rensning af luftfilter**'.
10. Udskift kniven hvis den er revnet, beskadiget eller knækket. Udskift knivbolten om nødvendigt. Se '**Demontering og montering af kniv og blæsehjul**'.
11. Brug kun originale Flymo dele og tilbehør specificeret for dette produkt.
12. Rens plæneklipperen grundigt. Se '**Rensning**'.
13. Dit lokale godkendte Electrolux Outdoor Products serviceværksted kan udføre enhver service eller reparation.
14. Opbevar din plæneklipper på et køligt, tørt og forsvarligt sted.

## Fejlfindingstips

#### Motoren vil ikke starte

1. Kontrollér om Operator Presence Control (Betjeningshåndtaget) holdes fast mod øverste håndtag.
2. Kontrollér, at der er nok brændstof i brændstoffranken, og at brændstofhanen er åben.
3. Kontrollér, at chokerbetjeningsgrebet er i den korrekte position: Kør-positionen **(N)**, hvis motoren er varm, og chokerpositionen **(L)**, hvis motoren er kold.
4. Motoren kan være "druknet". Tændrøret afmonteres og tørres af.
5. Brændstofblandingen kan være ferkert eller for gammel - hvis det er tilfældet - udskift brændstoffet.
6. Kontrollér at knivens bolt er spændt til. En løs knivbolt kan medføre startbesvær.
7. **Hvis motoren stadig ikke vil starte - tag tændrørsledningen af, og spørg din Electrolux Outdoor Products forhandler til råds.**

#### Dårlig 'svæveevne' eller manglende effekt.

1. Tag tændrørsledningen af.
2. Rens undersiden af klipperskjoldet, luftfilteret, blæseren, rundt om motoren, og luftindtagene.
3. Kontrollér, at motorens chokerbetjeningsgreb er i kør-positionen. **(N)**
4. Brændstofblandingen kan være ferkert eller for gammel - hvis det er tilfældet - udskift brændstoffet.
5. **Hvis der stadig er for dårlig "svæveevne" eller mangler effekt - tag tændrørsledningen af, og spørg din Electrolux Outdoor Products forhandler til råds.**

#### For kraftige vibrationer

1. Tag tændrørsledningen af.
2. Kontrollér at kniven er monteret korrekt. Se '**Afmontering og montering af kniven og blæseren**'.
3. Hvis kniven er beskadiget eller slidt, skal den udskiftes.
4. **Hvis vibrationerne fortsætter - lad være at bruge plæneklipperen - tag tændrørsledningen af, og spørg din Electrolux Outdoor Products forhandler til råds.**

## Montaje (sin ruedas)

### Montaje del manillar inferior del cortacésped

1. Colocar el gancho (A2) unido a la manija inferior (A1) hasta la mitad de la ranura central de la guía (A3) en la dirección indicada por la flecha (A4).
2. Manteniendo el gancho (A2) en la ranura central de la guía (A3) girar la manija inferior (A1) 90° en el sentido de las agujas del reloj para colocar ambas patas de la manija inferior en su posición correcta entre los soportes (A5).
3. Insertar los pasadores (B1) y asegurar con las pinzas de sujeción (B2).

### Instalación de la manija superior en la manija inferior

**ANTES** de instalar la manija superior en la manija inferior, estabilizar la manija inferior levantando el gancho (C1) hasta la posición de "aparcamiento" (C2).

1. Asegúrese de que la palanca de control del estrangulador está al lado izquierdo según se mira desde atrás.
2. Alinear los manillares superior e inferior (ver figura D). Montar los tornillos (D1), arandelas (D2), y asegurarlos con las tuercas de palomilla (D3).
3. Una los cables a los mangos con los amarres de cable provistos, asegurándose de que los cables no queden atrapados entre los mangos superior e inferior.

## Montaje (con ruedas)

1. Instale el mango inferior (E1) en la plataforma con el pasador del mango inferior (E2) según se ilustra en la Fig. E.
2. Instale las ruedas (F1) al marco de la rueda (F2) con los clips de retención de la rueda según se ilustra en la Fig. F.
3. Instale el marco de la rueda (G1) a la plataforma con el perno del mango inferior (G2), pequeña arandela (G3), arandela grande (G4) y contratuerca (G5) según

se ilustra en la Fig. G.

4. Localice los tubos telescópicos inferiores (H1) en el interior de los tubos telescópicos superiores (H2) y asegúrelos con el pasador (H3) y el clip de retención (H4) según se ilustra en la Fig. H.

**Instale el mango superior al inferior siguiendo las instrucciones dadas anteriormente en la sección 'Montaje (sin ruedas)'**

## Posición de la manija

La posición de la manija puede ajustarse usando el conjunto de gancho y guía. Para ajustar la posición de la manija:

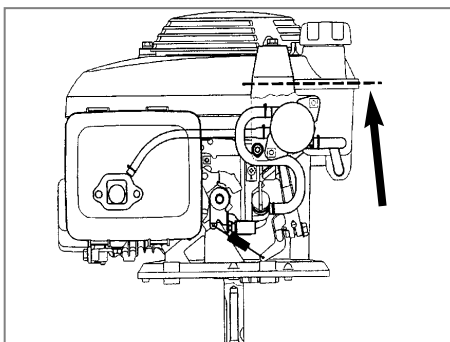
1. Levantar el gancho (C1).

2. Colocar en la posición necesaria:  
(C2) - Posición de "aparcamiento"  
(C3) - Posición de "cortar".

## Combustible

### Utilice gasolina nueva, limpia, normal y sin plomo para coches

No llene el depósito de combustible en un lugar cerrado, cuando el motor esté caliente o cuando esté fumando o cerca de una llama desnuda. Limpie bien alrededor del tapón de llenado del depósito de combustible, así evitará que se introduzca la suciedad dentro del sistema de combustible. El combustible deberá almacenarse en un lugar frío y alejado de llamas desnudas. No llene el depósito mientras el motor está funcionando. Llene el depósito de combustible con un embudo que tenga un filtro fino. Nunca llene el depósito por completo, llene sólo hasta la base del cuello de llenado. Cuando llene el depósito de combustible desde vacío, o cuando el motor haya funcionado hasta acabar la gasolina, deberá agregar un mínimo de 400cc de combustible (al nivel de la línea indicada en el diagrama) con el fin de asegurar el cebado correcto de la bomba de combustible para arrancar el motor. El carburador está preajustado. Normalmente no se necesita hacer ningún otro ajuste.



## Aceite

Utilice aceite detergente de motor de automóvil de 4 golpes. Se recomienda SAE 10W-30 para uso general.

Llene con aceite según se indica en el Manual del Propietario del Motor provisto con la máquina.

## Arranque y Parada

### Para poner en marcha el cortacésped

1. Llevar el manillar hasta la posición de aparcamiento (C2).
2. Conectar el cable de la bujía. (J)
3. Abra el tapón de combustible (K).
4. Mueva la palanca de control del estrangulador a la posición "Choke" ("Estrangulador") (L) cuando se arranca en frío, o a la posición "Run" ("Marcha") (N) cuando se arranca en caliente.
5. Tire y retenga firmemente el Control de Presencia del Operario hacia el mango superior.
6. Coloque el pie derecho con firmeza sobre la plataforma y agarre la parte superior del mango inferior con la mano izquierda. Incline la cortadora de césped hacia usted (M). Esto asegura que la máquina esté en una posición fuera de peligro cuando la arranque y que también evite el corte de un círculo antiestético en su césped.
7. Tire del maneral de arranque suavemente hasta notar una resistencia, deje retornar el maneral de arranque lentamente.

8. Tire ahora del maneral de arranque firmemente hacia usted hasta que esté totalmente extendido.
9. Deje que el motor alcance su régimen de giro alto y entonces suavemente dejar reposar el cortacésped sobre el suelo.
10. Cuando el motor se ha calentado, asegure que la palanca de control se encuentra en la posición "normal" (N).

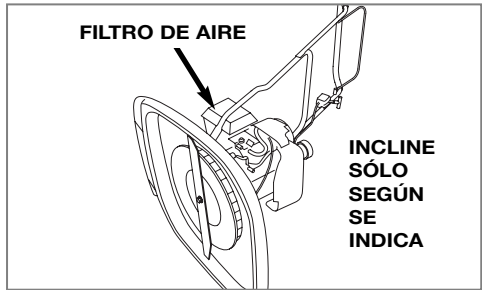
### Paro del Cortacésped

• **La cuchilla sigue girando después de apagar el motor; las cuchillas giratorias pueden causar daño.**

1. Suelte el Control de Presencia del Operario.
2. Inclinar la segadora hasta que el motor pare de gira. Con este movimiento evitará que se salga un aro del cortador.
3. Cuando el motor se haya parado, volver a dejar reposar el cortacésped sobre el suelo.
4. Ponga el manillar en la posición de Aparcamiento (C2).
5. Cierre el tapón de combustible (K).

## IMPORTANTE

Antes de realizar el servicio de la parte inferior de su máquina, cierre el tapón de combustible, deje que la máquina funcione hasta que se pare, desconecte el cable de la bujía de encendido e **INCLINE LA MÁQUINA SOBRE UN LATERAL CON EL FILTRO DE AIRE EN LO ALTO.**



## Ajuste de Alto de Corte

- **Nunca deberá usar más de 2 espaciadores de altura de corte.**
  - **Los espaciadores solamente pueden colocarse entre la cuchilla y el ventilador y nunca entre la cuchilla y el perno. (P)**
1. Cuando haya parado el motor, asegúrese de que el Control de Presencia del Operario se halla suelto. Desconecte el cable de la bujía.
  2. Cierre el tapón de combustible (K). Inclinarse el cortacésped apoyándolo sobre un lado.
  3. Quite el perno de la cuchilla (P1) y la cuchilla (P2) según se describe en 'Desmontaje de la cuchilla y del ventilador'.
  4. **Para un corte más bajo, añada espaciadores (P3) hasta un máximo de 2.**
  5. Para un corte más alto, quite espaciadores (P3).
  6. Vuelva a instalar la cuchilla según se describe en 'Instalación de la cuchilla y del ventilador'.

### Para Cortar el Césped

1. Coloque el mango en la posición para cortar el césped (D3).
  2. Segar dos veces por semana en la época de crecimiento del césped. Su césped sufrirá si se recorta más de una tercera parte de su longitud en una sola sesión.
- **Mantenga las manos y los pies alejados de la cuchilla. La cuchilla no se ve cuando está girando.**
  - **El corte del césped en ribazos y pendientes puede ser peligroso. Evite el uso del cortacésped en pendientes empinadas.**
  - **Mantenga siempre el pie sobre terreno llano con el cortacésped detrás sobre el plano inclinado y con la bujía de encendido en lo alto para evitar que el aceite de lubricación pase al cilindro.**
  - **No utilice este cortacésped en pendientes húmedas o de más de 45° con relación a la horizontal.**
  - **Nunca empuje el cortacésped hacia arriba de la pendiente.**

## Montaje y Desmontaje de la Cuchilla y del Ventilador

La cuchilla se deberá manejar siempre con cuidado. Los filos cortantes pueden causar daño. **UTILICE GUANTES.** El cable de la bujía puede estar caliente - manéjese con cuidado.

### Desmontaje de la Cuchilla y del Ventilador

- **Cambie la cuchilla metálica al cabo de 50 horas de funcionamiento, o a los 2 años a más tardar, aunque parezca hallarse en buen estado.**
  - **Si la cuchilla se hallare agrietada o dañada, sustitúyase por una nueva.**
1. Cerciérese de que se ha soltado el Control de Presencia del Operario cuando haya parado el motor y la cuchilla haya cesado de girar, y desconecte el cable de la bujía.
  2. Cierre totalmente el tapón de combustible (K).
  3. Ponga el cortacésped sobre un lado con el filtro de aire en lo alto (ver dibujo arriba).
  4. Para quitar el perno de la cuchilla (P1), sujete firmemente el ventilador (P4) y, con la llave suministrada, afloje el perno de la cuchilla girando a la izquierda.
  5. Quite el perno de la cuchilla (P1), la cuchilla (P2), los espaciadores (P3) y el ventilador (P4).
  6. Compruebe el buen estado y limpie si fuera necesario.

### Montaje de la Cuchilla y del Ventilador

- **Antes de su uso, siempre deberá comprobar visualmente si las cuchillas o los pernos se hallan desgastados o dañados.**
  - **Nunca se deberán usar más de 2 espaciadores de altura de corte.**
  - **Los espaciadores solamente se podrán colocar entre la cuchilla y el ventilador y nunca entre la cuchilla y el perno.**
1. Cerciérese de que el ventilador se halla colocado correctamente.
  2. Coloque los espaciadores (P3) sobre el ventilador, asegurando que los salientes (P5) se hallan situados en los agujeros (P6).
  3. Coloque la cuchilla (P2) sobre los espaciadores (P3), asegurando que los salientes (P7) han entrado en los agujeros (P8) de la cuchilla, y asegurando que la cuchilla se halla situada como se ilustra en la **Figura P**.
  4. Coloque el perno (P1) de la cuchilla por el agujero central (P9) de la cuchilla.
  5. Apriételo a mano girando hacia la derecha.
  6. Sujete firmemente el ventilador y apriete el perno de la cuchilla con la llave suministrada.

## Bujía de encendido

Una bujía de encendido aceitosa o con carbón dificulta el arranque de la máquina y disminuye la eficacia del motor. Quite periódicamente la bujía de encendido y limpie y ajuste cuando sea necesario.

Ajuste de separación 0,028 – 0,031".

No quite la bujía de encendido con el motor caliente. No limpie la bujía de encendido con chorro de arena.



## Limpeza del filtro de aire

- Q1 – Conducto de aire**
- Q2 – Cuerpo del filtro de aire**
- Q3 – Filtro**
- Q4 – Apéndices de enganche**
- Q5 – Tapa del filtro de aire**

Nunca deje funcionar el motor sin filtro o con un filtro sucio, se reduciría mucho la eficacia del motor y se producirían daños al motor. Este cortacésped lleva instalado un filtro de aire, cuyo mantenimiento es como sigue:-

- **Compruebe el filtro después de cada uso.**
- **Limpie el filtro cada 25 horas o más frecuentemente cuando se usa en zonas polvorientas.**
- **Sustituya el filtro después de 200 horas.**

1. Empuje los apéndices de enganche situados encima de la cubierta del filtro de aire y quite la cubierta.
2. Compruebe que el filtro está limpio y en buenas condiciones.

### Si el filtro está sucio:-

1. Golpee el filtro de aire varias veces sobre una superficie dura para quitar la suciedad, o soplo aire comprimido por el filtro de aire desde el lado limpio que enfrenta al motor. No trate nunca de quitar la suciedad con un cepillo. Cepillando el filtro introducirá la suciedad en las fibras.
2. Limpie la suciedad del cuerpo del filtro de aire y de la cubierta con un trapo húmedo. Tenga cuidado de evitar que entre la suciedad en el conducto de aire que lleva al carburador.
3. Limpie el cuerpo del filtro de aire y de la cubierta con un trapo húmedo. Tenga cuidado de evitar que entre la suciedad en el conducto de aire que lleva al carburador.
4. Vuelva a poner el filtro y la cubierta.

## Cómo Cuidar el Cortacésped

**Si usted no pretende utilizar su cortacésped durante un largo periodo de tiempo, es aconsejable seguir este procedimiento después de su uso:**

1. Parar el motor
2. Cierre totalmente el tapón de combustible (**K**)
3. Echar a correr el motor
4. Cuando el combustible se va acabando el motor comenzará a pararse, en tal caso, incline el cortacésped ligeramente.
5. Una vez el motor se ha parado, suelte el Control de Presencia del Operario.
6. Desconectar el cable de la bujía.
7. Vacíe todo el combustible del depósito.

### Limpeza

#### • UTILICE GUANTES

- **Mantenga limpio el cortacésped. Las briznas de hierba que queden en las entradas de aire, junto al motor o debajo de la plataforma pueden convertirse en un peligro de incendio.**
- **Evite la limpieza con productos químicos, incluyendo gasolina o disolventes - algunos de ellos pueden destruir componentes importantes de plástico.**

1. Quite el césped de debajo de la plataforma con un trozo de madera u objeto semejante.
  2. Utilice un cepillo blando para quitar el césped cortado de junto al motor, y de todas las entradas de aire.
  3. Quite el ventilador, (**Vea "Montaje y Desmontaje de la Cuchilla y del Ventilador"**), y límpielo con un cepillo blando.
  4. Limpie la superficie del cortacésped con un trapo seco.
- #### Transporte del cortacésped
- Ponga el tapón de combustible en posición off (cerrado) y transporte el cortacésped en posición horizontal.
  - No transporte nunca el cortacésped cuando está funcionando.

### Almacenaje del cortacésped

Ponga el tapón de combustible en la posición off (cerrado) y almacénelo en un lugar frío, seco, a prueba de humedad y seguro con el motor en posición horizontal. Revise el cortacésped después de cortar el césped por última vez en la temporada, como sigue:

1. Parar el motor
2. Cierre totalmente el tapón de combustible (**K**)
3. Echar a correr el motor
4. Cuando el combustible se va acabando el motor comenzará a pararse, en tal caso, incline el cortacésped ligeramente.
5. Una vez el motor se ha parado, suelte el Control de Presencia del Operario.
6. **Desconectar el cable de la bujía.**
7. Vacíe todo el combustible del depósito.
8. Quite el cable de la bujía y la bujía. Eche una cucharadita (5ml) de aceite por el agujero de la bujía. Tire de la manivela de puesta en marcha dos o tres veces. Con ello, distribuirá el aceite en las superficies interiores del motor. Examine, limpie y vuelva a colocar la bujía. Si precisa una bujía nueva, póngase en contacto con el Centro de Servicio/Agente local aprobado de Electrolux Outdoor Products. **No vuelva a conectar el cable de la bujía.**
9. Limpie el filtro de aire. Vea "**Limpeza del Filtro de Aire**".
10. Cambie la cuchilla si se halla agrietada, dañada o doblada. Cambie el perno de la cuchilla si fuere necesario. Vea "**Montaje y Desmontaje de la Cuchilla y del Ventilador**" para las instrucciones completas.
11. Utilice solamente componentes y accesorios auténticos Flymo especificados para el cortacésped.
12. Limpie completamente el cortacésped. Vea "Limpeza".
13. Su Centro local de Servicio/Agente aprobado de Electrolux Outdoor Products realizará los trabajos de servicio o reparación requeridos.
14. Guarde el cortacésped en lugar fresco, seco y seguro.

## Sugerencias para Encontrar Fallas

### El motor no arranca

1. Asegúrese de que el Control de Presencia del Operario se halla firmemente agarrado junto al mango superior.
2. Compruebe que hay suficiente combustible en el depósito de combustible y que el tapón de combustible está abierto.
3. Compruebe que la palanca de control del estrangulador está en posición correcta:- Posición 'Run' ('Marcha') (**N**) – con el motor caliente, y posición 'Choke' ('Estrangulador') (**L**) – con el motor frío.
4. El motor podría estar anegado. Desmontar la bujía y secarla.
5. La mezcla del combustible podría ser incorrecta o descompuesta; en tal caso sustituir.
6. Verifique si el tornillo de fijación de la cuchilla está apretado. Un tornillo de la cuchilla flojo podría causar dificultades de puesta en marcha.
7. **Si el motor continúa sin arrancar, desconecte el cable de la bujía y consulte al Concesionario Oficial Electrolux Outdoor Products de su localidad.**

### Flotación pobre o falta de potencia

1. Desconecte el cable de la bujía.
2. Limpie la cara inferior de la capota, el filtro de aire, el ventilador, contornos del motor y la admisión de aire.
3. Compruebe que la palanca de control del estrangulador está en posición 'Marcha' (**N**).
4. La mezcla de combustible puede ser incorrecta o puede estar degradada. Si es así, sustitúyala.
5. **Si la flotación sigue siendo pobre o la falta de potencia persiste, desconecte el cable de la bujía y acuda al Concesionario Oficial Electrolux Outdoor Products de su localidad.**

### Vibraciones excesivas

1. Desconecte el cable de la bujía.
2. Compruebe que la cuchilla está fijada correctamente. **Ver "Montaje y desmontaje de la cuchilla y del ventilador"**.
3. Si la cuchilla está dañada o gastada, sustitúyala.
4. **Si las vibraciones persisten - no haga uso del cortacésped - desconecte el cable de la bujía y acuda al Concesionario Oficial Electrolux Outdoor Products de su localidad.**

## Montagem (sem rodas)

### Montagem do manipulô inferior da máquina

1. Introduza o gancho (A2) preso à pega inferior (A1) até à metade na ranhura central do guia (A3) na direcção indicada pela seta (A4).
2. Mantendo o gancho (A2) na ranhura central do guia (A3) rode a pega inferior (A1) 90° para a direita para colocar ambas as pernas da pega inferior na posição entre os suportes da capota (A5).
3. Introduza os pinos (B1) e prenda-os com os clips de fixação (B2).

### Montagem da Pega Superior na Pega Inferior

**ANTES** de montar a pega superior na pega inferior, estabeleça a pega inferior levantando o gancho (C1) até à posição de "estacionamento" (C2).

1. Certifique-se de que a alavanca de controlo do estrangulador fica do lado esquerdo quando observada pela traseira.
2. Alinhe os manipulô inferior e superior (**veja a fig. D**). Localize os parafusos (D1) anilhas (D2) e aperte com os botões do manipulô (D3).
3. Coloque os cabos nas pegas usando as braçadeiras de cabos fornecidas e certificando-se de que eles não ficam presos entre as pegas superior e inferior.

## Montagem (com rodas)

1. Monte a pega inferior (E1) na coberta com o pino da pega inferior (E2) como mostrado na Fig.E
2. Ligue as rodas (F1) à armação da roda (F2) com os grampos de retenção da roda (F3) como mostrado na Fig.F
3. Monte a armação da roda (G1) na coberta com o parafuso da pega inferior (G2), anilha pequena (G3), anilha grande (G4) e porca de segurança (G5) como mostrado na Fig. G.

4. Coloque os tubos telescópicos inferiores (H1) dentro dos tubos telescópicos superiores (H2) e segure com o pino (H3) e grampo de retenção (H4) como mostrado na Fig. H.

**Monte a pega superior na pega inferior seguindo as instruções indicadas acima na secção "Montagem (sem rodas)".**

## Posição da Pega

A posição da pega pode ser ajustada utilizando o conjunto de guia e gancho. Para ajustar a posição da pega:

1. Levante o gancho (C1)

2. Posicione como desejar:

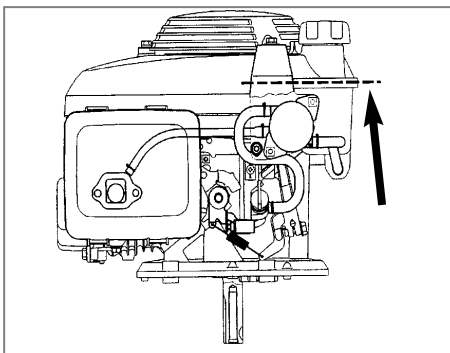
(C2) - Posição de "Estacionamento"

(C3) - Posição de "Funcionamento".

## Combustível

**Use gasolina normal sem chumbo, nova e limpa, para motor de automóvel.**

Não encha o depósito de combustível em área confinada quando o motor estiver quente, ou se estiver a fumar ou junto de uma chama nua. Limpe cuidadosamente em volta do bujão de enchimento do depósito de combustível antes de encher o depósito; isto ajuda a evitar a entrada de sujidade no sistema de combustível. O combustível deve ser armazenado num local fresco afastado de chamas nuas. Não encha o depósito com o motor a funcionar. Encha o depósito de combustível usando um funil provido de um filtro fino. Nunca encha o depósito de combustível completamente; encha apenas até à base do pescoço do orifício de enchimento. Quando encher um depósito de combustível vazio, ou se o motor tiver funcionado a seco anteriormente, deve adicionar no mínimo 400 cm<sup>3</sup> de combustível (**até ao nível da linha indicada no diagrama**) para assegurar que a bomba de combustível é escurvada correctamente para pôr o motor a funcionar. O seu carburador foi pré-ajustado. Normalmente não é necessário nenhum ajuste adicional.



## Óleo

**Use um óleo detergente para motor de automóvel a quatro tempos. Recomenda-se a utilização de óleo SAE 10W-30 para utilização geral.**

**Encha com óleo de acordo com as instruções do seu Manual do Proprietário do Motor que é fornecido com o produto.**

## Ligar e Desligar

### Como Arrancar O Corta-Relva

1. Mova o manipulô para a posição de estacionamento (C2).
2. Ligue o fio da vela de ignição. (J)
3. Abra a torneira de combustível (K).
4. Coloque a alavanca de controlo do estrangulador na posição "Estrangulador" (L) quando fizer o arranque a frio e na posição "Funcionamento" (N) quando fizer o arranque a quente.
5. Puxe e segure firmemente o comando de presença do operador contra a pega superior.
6. Coloque o pé direito com firmeza sobre a carcaça e segure no topo da pega inferior com a mão esquerda. Incline o aparador de relva na sua direcção (M). Isto garante que o produto está bem seguro quando fizer o seu arranque e também evita que corte um anel desleigante no seu relvado.
7. Puxe suavemente o manipulô do arranque, até sentir uma determinada resistência; solte lentamente o manipulô do arranque.

8. Puxe com força o manipulô do arranque na sua direcção e na extensão total.
9. Deixe o motor atingir as rotações máximas depois baixe a máquina para o chão.
10. Quando o motor atingir a temperatura ideal, certifique-se de que a alavanca de comando está na posição "normal" (N).

### Como Parar O Corta-Relva

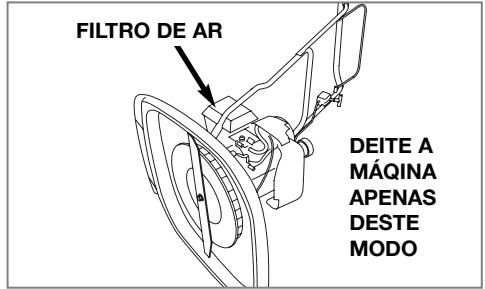
**A lâmina continua a rodar depois da máquina ter sido desligada, lâminas rodando podem causar ferimentos.**

1. Solte o Comando de Presença do Operador.
2. À medida que o motor pára, incline ligeiramente a máquina de cortar relva. Isto evita que o anel na máquina seja cortado.
3. Quando o motor parar, baixe a máquina para o chão.
4. Coloque o manipulô na posição de estacionamento (C2).
5. Feche a torneira de combustível (K).



## IMPORTANTE

Antes de efectuar qualquer trabalho de manutenção da parte inferior da sua máquina, feche a torneira de combustível, deixe o motor a funcionar até parar, desligue o cabo da vela de ignição e **DEITE A MÁQUINA DE LADO COM O FILTRO DE AR VOLTADO PARA CIMA.**



## Ajustar a Altura do Corte

- **Nunca use mais que 2 espaçadores de altura de corte.**
  - **Os espaçadores só podem ser montados entre a lâmina e a ventoinha e nunca entre a lâmina e o parafuso. (P)**
1. Certifique-se que o Controlo de Presença do Operador está solto, quando o motor parar de rodar - desligue o cabo da vela de ignição.
  2. Feche a torneira de combustível **(K)**. Turn your lawnmower on its side.
  3. Retire o parafuso da lâmina **(P1)** e a lâmina **(P2)** como descrito na secção "Remoção da Lâmina e da Ventoinha".
  4. Para um Corte Mais Baixo - Adicione no máximo 2 espaçadores **(P3)**.
  5. Para um Corte Mais Alto - retire espaçadores **(P3)**.
  6. Volte a instalar a lâmina como descrito em "Instalação da Lâmina e da Ventoinha".

### Como Cortar a Relva

1. Coloque a pega na posição de cortar relva **(C3)**.
  2. Corte a relva duas vezes por semana na estação de crescimento. É prejudicial para a relva cortar mais do que 1/3 do seu comprimento de uma só vez.
- **Conserve os pés e mãos afastados da lâmina, uma lâmina em rotação não é visível.**
  - **Cortar a relva em rampas e declives pode ser perigoso. Não corte relva em declives íngremes.**
  - **Num declive, mantenha-se sempre com os pés bem firmes sobre chão plano, e com a máquina de cortar relva posicionada sobre o declive abaixo de si, e com a vela de ignição na parte superior para evitar que o óleo lubrificante se escoe para o interior do cilindro.**
  - **Não use esta máquina de cortar relva em declives molhados ou com uma inclinação com a horizontal superior a 45°.**
  - **Nunca empurre a máquina de cortar relva pelo declive acima.**

## Como Retirar e Montar a Lâmina e a Ventoinha

Movimente sempre a lâmina com cuidado - as arestas afiadas podem causar ferimentos. **USE LUVAS.** O cabo da vela de ignição pode estar quente - manusear com cuidado.

### Como Retirar a Lâmina e a Ventoinha

- **Substitua a lâmina de metal após 50 horas de uso ou 2 anos, consoante o que ocorrer primeiro - independentemente do seu estado.**
  - **Se a lâmina estiver rachada ou danificada substitua-a por uma nova.**
1. Certifique-se que o Controlo de Presença do Operador está solto, quando o motor parar e a lâmina parar de rodar - desligue o cabo da vela de ignição.
  2. Feche completamente a torneira de combustível **(K)**.
  3. Deite a máquina de cortar relva de lado com o filtro de ar voltado para cima **(ver a figura acima)**.
  4. Para retirar o parafuso da lâmina **(P1)**, segure a ventoinha **(P4)** com firmeza e com a chave de fendas fornecida afrouxe o parafuso da lâmina rodando-a para a esquerda.
  5. Retire o parafuso da lâmina **(P1)**, lâmina **(P2)**, espaçadores **(P3)** e a ventoinha **(P4)**.
  6. Inspeccione para verificar a existência de danos e limpe como achar necessário.

### Como Montar a Lâmina e a Ventoinha

- **Antes de usar inspeccione sempre visualmente para verificar se as lâminas não estão desgastadas ou danificadas.**
  - **Nunca use mais que 2 espaçadores de altura de corte.**
  - **Os espaçadores só podem ser montados entre a lâmina e a ventoinha e nunca entre a lâmina e o parafuso.**
1. Certifique-se que a ventoinha está colocada correctamente.
  2. Coloque os espaçadores **(P3)** sobre a ventoinha certificando-se que as cavilhas **(P5)** estão posicionadas nos orifícios **(P6)**.
  3. Coloque a lâmina **(P2)** sobre os espaçadores **(P3)** certificando-se que as cavilhas **(P7)** estão posicionadas nos orifícios **(P8)** sobre a lâmina e certificando-se que a lâmina está posicionada como ilustrado na **Figura P**.
  4. Coloque o parafuso da lâmina **(P1)** através do orifício central **(P9)** da lâmina.
  5. Aperte para a direita com a mão.
  6. Segure firmemente a ventoinha e aperte o parafuso da lâmina com a chave de fendas fornecida.

## Vela de Ignição

Uma vela de ignição suja com óleo ou com partículas de carvão dificulta o arranque e reduz o rendimento do motor. Periodicamente retire a vela de ignição e limpe e ajuste sempre que necessário.

Ajuste da folga: 0,028 a 0,031".

Não retire a vela de ignição com o motor quente. Não limpe a vela de ignição por decapagem com areia.

## Limpeza do Filtro de Ar

### Q1 – Conduta de Ar

### Q2 – Carcaça do Filtro de Ar

### Q3 – Filtro

### Q4 – Linguetas de Engate

### Q5 – Tampa do Filtro de Ar

Nunca deixe o motor a funcionar sem o filtro ou com um filtro sujo. Isto reduz muito o rendimento do motor, danificando-o.

A sua máquina de cortar relva está equipada com um filtro de ar, cuja manutenção se faz do seguinte modo:

- **Verifique o filtro antes de cada utilização.**
- **Limpe de 25 em 25 horas ou com mais frequência se utilizado em áreas poeirentas.**
- **Substitua o filtro ao fim de 200 horas.**

1. Prima as linguetas de engate situadas na parte superior da tampa do filtro de ar e retire a tampa.
2. Verifique que o filtro está limpo e em boas condições.

#### Se o filtro estiver sujo:

1. Bata ligeiramente com o filtro de ar várias vezes sobre uma superfície dura para remover a sujidade, ou passe ar comprimido através do filtro pela sua face limpa voltada para o motor. Nunca tente retirar a sujidade com uma escova. Isto irá entranhar a sujidade nas fibras.
3. Limpe a sujidade da carcaça e da tampa do filtro de ar com um pano húmido. Tenha cuidado para evitar que a sujidade entre na conduta de ar que leva ao carburador.
4. Substitua o filtro e a tampa do filtro de ar.

## Cuidados a ter Com a sua Máquina de Cortar Relva

**Se não pretender utilizar a máquina de cortar a relva durante um longo período de tempo, é aconselhável seguir estas instruções depois de utilizá-la:**

1. Pare o motor.
2. Feche completamente a torneira de combustível (K).
3. Volte a pôr o motor a funcionar
4. À medida que o combustível se for gastando, o motor começa a parar; incline ligeiramente a máquina de cortar relva.
5. Uma vez o motor parado, solte o Comando de Presença do Operador.
6. Desligue o fio da vela.
7. Retire todo o combustível do depósito.

#### Limpeza

##### • USE LUVAS

- **Conserve a sua máquina de cortar relva limpa - os restos de erva deixados em qualquer uma das admissões de ar, em volta do motor ou debaixo do deck podem constituir perigo de incêndio potencial.**

- **Não limpe com produtos químicos, incluindo gasolina ou solventes - alguns podem destruir peças de plástico essenciais.**

1. Retire a erva debaixo do deck com uma peça de madeira ou semelhante.
2. Usando uma escova macia - retire os restos de erva que se possam encontrar em volta do motor e de todas as admissões de ar.
3. Retire a ventoinha. Consulte "**Como Retirar e Montar a Lâmina e a Ventoinha**" e limpe com uma escova macia.
4. Limpe a superfície da sua máquina de cortar relva com um pano seco.

#### Transporte da Máquina de Cortar Relva

- Rode a torneira de combustível para a posição fechada e transporte o motor na posição horizontal.
- Nunca transporte a máquina de cortar relva quando está em funcionamento.

#### Armazenagem da Máquina de Cortar Relva

Rode a torneira de combustível para a posição fechada e guarde a máquina num lugar seguro, seco, fresco e à prova de humidade, com o motor na posição horizontal.

#### Faça a manutenção da sua máquina de cortar relva após o último corte do ano como se segue:

1. Pare o motor.
2. Feche completamente a torneira de combustível (K).
3. Volte a pôr o motor a funcionar
4. À medida que o combustível se for gastando, o motor começa a parar; incline ligeiramente a máquina de cortar relva.
5. Uma vez o motor parado, solte o Comando de Presença do Operador.
6. Desligue o fio da vela.
7. Retire todo o combustível do depósito.
8. Retire o cabo da vela de ignição e a vela de ignição. Deite uma colher de chá (5ml) de óleo no orifício da vela. Puxe a pega de arranque 2 ou 3 vezes. Isto distribui o óleo sobre as superfícies interiores do motor. Se precisar de uma vela nova contacte o seu Centro de Assistência/Concessionário Electrolux Outdoor Products local aprovado. Não torne a ligar o cabo da vela de ignição.
9. Limpe o filtro de ar. Consulte "**Como Limpar o Filtro de Ar**".
10. Substitua a lâmina se estiver rachada, danificada ou empenada. Se necessário substitua o parafuso da lâmina. Para mais informações queira ler "**Como Retirar e Montar a Lâmina e a Ventoinha**".
11. Use só peças e acessórios genuínos Flymo especificados para este produto.
12. Limpe a máquina de cortar relva muito bem. Consulte "**Limpeza**".
13. O seu **Centro de Assistência/Concessionário Electrolux Outdoor Products** local aprovado fará toda a manutenção ou reparações necessárias.
14. Armazene a sua máquina de cortar relva num local fresco, seco, sem humidade e seguro.

## Conselhos para Identificação de Avarias

#### O Motor Não Arranca

1. Certifique-se que o Comando de Presença do Operador está bem preso à pega superior.
2. Verifique que há combustível suficiente no depósito de combustível e que a torneira de combustível está aberta.
3. Verifique que a alavanca de controlo do estrangulador está na posição correcta: - Posição "Funcionamento" (N) – para um motor quente, posição "Estrangulador" (L) – para um motor frio.
4. O motor pode ter afogado. Retire e seque a vela de ignição.
5. A mistura do combustível pode estar incorrecta ou envelhecida - se for o caso substitua-a.
6. Verifique se o parafuso da lâmina está apertada. O parafuso da lamina desapertado pode tornar o arranque difícil.
7. **Se mesmo assim o motor não arranca - desligue o fio da vela de ignição e consulte o seu Centro/Concessionário de assistência autorizado.**

#### Fraca Flutuação Ou Pouca Potencia

1. Desligue o fio da vela de ignição.
2. Limpe a parte inferior do capot o filtro do ar, a ventoinha, à volta do motor e as entradas do ar.
3. Verifique que a alavanca de controlo do estrangulador está na posição "Funcionamento" (N).
4. A mistura do combustível pode estar incorrecta ou envelhecida se for o caso substitua-a.
5. **Se persistir a fraca flutuação e a falta de potência-desligue o fio da vela de ignição e contacte o seu Concessionário Electrolux Outdoor Products autorizado.**

#### Excessiva Vibração

1. Desligue o fio da vela de ignição.
2. Verifique se a lâmina está correctamente montada.
3. **Veja Remoção e montagem da lâmina e ventoinha.**
3. Se a lâmina estiver danificada ou gasta, substitua-a.
4. **Se a vibração persistir - não utilize - desligue o fio da vela de ignição e contacte o seu Concessionário/Distribuidor autorizado Electrolux Outdoor Products.**

## Assemblaggio (senza ruote)

### Montaggio del manico inferiore sul rasaerba

1. Inserire fino a metà il gancio (A2) fissato all'impugnatura inferiore (A1) attraverso la scanalatura centrale della guida (A3) nella direzione indicata dalla freccia (A4).
2. Mantenendo il gancio (A2) nella scanalatura centrale della guida (A3), girare l'impugnatura inferiore (A1) in senso orario di 90° per posizionare entrambe le linguette dell'impugnatura inferiore tra le staffe del coprimotore (A5).
3. Inserire le spine (B1) e fissarle con le apposite mollette (B2).

### Montaggio dell'impugnatura superiore all'impugnatura inferiore

**PRIMA** di montare l'impugnatura superiore all'impugnatura inferiore, stabilizzare l'impugnatura inferiore sollevando il gancio (C1) alla posizione 'riposo' (C2).

1. Accertarsi che la leva di comando dello starter si trovi sul lato sinistro quando viene vista dal retro.
2. Allineare il manico inferiore a quello superiore (D). Posizionare i bulloni (D1), le rondelle (D2) e fissarle con i pomelli dei manici (D3).
3. Montare i cavi sull'impugnatura con le fascette fornite, controllando che i cavi non siano impigliati tra l'impugnatura superiore e quella inferiore.

## Assemblaggio (con ruote)

1. Montare il manubrio inferiore (E1) sulla scocca con la rispettiva spina (E2) come illustrato in Fig. E.
2. Attaccare le ruote (F1) sul telaio (F2) con i rispettivi fermi di ritenuta (F3) come illustrato in Fig. F.
3. Montare il telaio delle ruote (G1) sulla scocca usando il bullone (G2), la rondella piccola (G3), quella grande (G4) e il controdado (G5) del manubrio inferiore come illustrato in Fig. G.
4. Sistemare i tubi telescopici inferiori (H1) all'interno di quelli telescopici superiori (H2) e fissarli con la spina (H3) e il fermo di ritenuta (E4) come illustrato in Fig. H.

**Montare l'impugnatura superiore su quella inferiore seguendo le suddette istruzioni qui sopra al paragrafo "Assemblaggio (senza ruote)".**

## Posizione dell'impugnatura

La posizione dell'impugnatura può essere regolata mediante il complessivo guida e gancio.

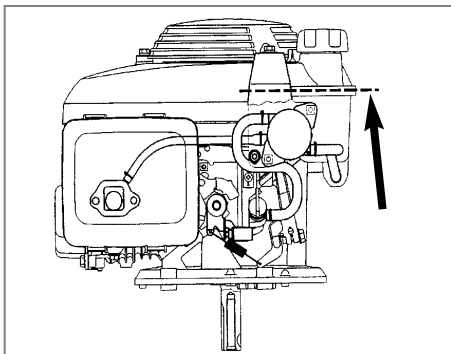
Per regolare la posizione dell'impugnatura:

1. Sollevare il gancio (C1) (C2) - Posizione 'Riposo' (C3) - Posizione 'Rasatura'.

## Carburante

### Usare della normale benzina senza piombo per autoveicoli, pulita e acquistata di recente

Non rifornire il serbatoio del carburante in ambienti chiusi, quando il motore è caldo, mentre si fuma o vicino a una fiamma viva. Pulire a fondo la zona attorno al tappo del serbatoio del carburante prima del rifornimento per impedire l'ingresso di impurità nell'impianto di alimentazione. Il carburante deve essere conservato in un locale fresco lontano da fiamme vive. Non rifornire il serbatoio quando il motore è acceso. Rifornire il serbatoio usando un imbuto dotato di filtro sottile. Non rifornire mai completamente il serbatoio del carburante, riempirlo solo fino alla base del bocchettone di rifornimento. Quando si rifornisce il serbatoio da vuoto, o se il motore ha precedentemente funzionato a secco, aggiungere una quantità minima di 400 cc (fino al livello della riga indicata nello schema) per garantire il corretto adescamento della pompa di alimentazione necessario all'avviamento del motore. Il carburatore è prearato. Non è di solito richiesta nessuna regolazione.



## Olio

Usare olio detergente per veicoli a 4 tempi. Per impiego generico si raccomanda l'olio SAE 10W-30.

Rifornire di olio come indicato nel Manuale del proprietario del motore fornito con questo prodotto.

## Avvio e arresto

### Avviamento del rasaerba

1. Portare l'impugnatura alla posizione Parcheggio (C2).
2. Collegare il cavo della candela di accensione. (J)
3. Aprire il rubinetto del carburante (K).
4. Spostare la leva di comando dello starter sulla posizione "Starter" (L) per l'avviamento a freddo e su "Marcia" (N) per l'avviamento a caldo.
5. Tirare e tenere bene la leva di avviamento/arresto contro il manico superiore.
6. Appoggiare fermamente il piede destro sulla scocca e afferrare la parte superiore dell'impugnatura inferiore con la mano sinistra. Inclinare il tosaerba verso di sé (H). In questo modo il tosaerba si trova in una posizione sicura durante l'accensione e si evita anche di lasciare un brutto taglio circolare nel tappeto erboso.
7. Tirare delicatamente l'impugnatura di avviamento fino a quando non si avverte una resistenza, poi riportarla lentamente alla posizione originale.

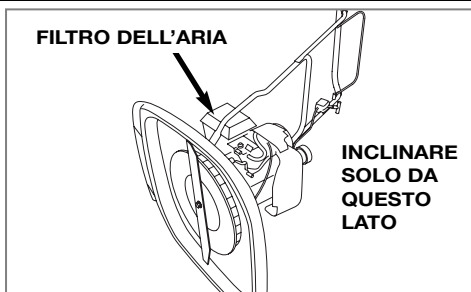
8. Tirare l'impugnatura di avviamento verso di sé con decisione.
9. Lasciare raggiungere al motore il regime massimo, poi abbassare lentamente il rasaerba fino a toccare il terreno.
10. Quando il motore si è riscaldato, verificare che la leva di comando si trovi nella posizione 'normale'. (N)

### Arresto del tosaerba

- Una volta spento il tosaerba, la lama continua a girare e può provocare infortuni.
1. Lasciare andare la leva di avviamento/arresto.
  2. Mentre il motore si spegne, inclinare leggermente il tosaerba onde evitare un taglio a cerchio sul prato.
  3. Quando il motore è fermo, abbassare il rasaerba fino a toccare il terreno.
  4. Portare l'impugnatura nella posizione di Parcheggio (C2).
  5. Chiudere il rubinetto del carburante (K).

## IMPORTANTE

**Prima di eseguire qualsiasi manutenzione sul sottoscocca del tosaerba, chiudere il rubinetto del carburante, lasciare che il motore giri fino a spegnersi, scollegare il cavo della candela e **INCLINARE IL TOSAERBA DI LATO CON IL FILTRO DELL'ARIA VERSO L'ALTO.****



## Regolazione dell'altezza di taglio

- **Non utilizzare mai più di 2 distanziali per la regolazione dell'altezza di taglio.**
  - **I distanziali vanno solo montati tra la lama e la ventola e mai tra la lama e il bullone. (P)**
1. Verificare che la leva di avviamento sia stata lasciata andare quando il motore del rasoerba si è arrestato - Scollegare il cavo della candela di accensione.
  2. Chiudere il rubinetto del carburante (K). Poggiare il rasoerba su un fianco.
  3. Svitare il bullone della lama (P1) ed estrarre la lama (P2) come descritto al paragrafo "Smontaggio di lama e ventilatore".
  4. Per realizzare un taglio più corto, mettere i distanziali (P3). Usarne al massimo 2.
  5. Per realizzare un taglio più lungo, togliere i distanziali (P3).
  6. Rimontare la lama come descritto al paragrafo "Rimontaggio di lama e ventilatore".

### Taglio

1. Mettere il manico nella posizione di taglio (C3).
  2. Tagliare il prato due volte alla settimana durante la stagione di crescita Evitare di tagliare l'erba oltre un terzo della sua lunghezza ad ogni taglio.
- **Tenere lontani dalla lama le mani e i piedi, poiché una lama che ruota non è visibile.**
  - **Non utilizzare il rasoerba su argini e ripidi pendii onde evitare gravi infortuni.**
  - **Sui pendii, tenere sempre i piedi sul terreno in piano con il tosaerba sotto di voi e la candela in alto per evitare che l'olio lubrificante scorra nel cilindro.**
  - **Non usare questo tosaerba su pendii bagnati o con un'inclinazione superiore ai 45° dal piano orizzontale.**
  - **Non spingere mai il tosaerba in salita lungo un pendio.**

## Rimozione e montaggio della lama e della ventola

**Maneggiare la lama sempre con cura - i bordi affilati possono provocare infortuni. INDOSSARE GUANTI. Il cavo della candela di accensione potrebbe essere caldo - maneggiare con cura.**

### Rimozione della lama e della ventola

- **Sostituire la lama di metallo dopo 50 ore d'impiego o 2 anni, a seconda di quale evento si verifichi per primo, a prescindere dalla condizione.**
  - **Qualora la lama risulti rotta o danneggiata, sostituirla con una nuova.**
1. Verificare di aver lasciato andare la leva di avviamento. Quando il motore si è arrestato e la lama ha terminato di ruotare, scollegare il cavo della candela di accensione.
  2. Chiudere completamente il rubinetto del carburante (K).
  3. Ribaltare il tosaerba di lato con il filtro dell'aria in su (vedi figura qui sopra).
  4. Per rimuovere il bullone della lama (P1), afferrare bene la ventola (P4) ed allentare il bullone della lama girando l'apposita chiave in senso antiorario.
  5. Togliere il bullone della lama (P1), la lama (P2), i distanziali (P3) e la ventola (P4).
  6. Verificarne l'integrità e pulire se necessario.

### Montaggio della lama e della ventola

- **Prima di utilizzare il rasoerba, verificare sempre che la lama e i bulloni non siano consumati o danneggiati.**
  - **Non usare mai più di 2 distanziali per la regolazione dell'altezza di taglio.**
  - **I distanziali vanno solo montati tra la lama e la ventola e mai tra la lama e il bullone.**
1. Verificare che la ventola sia nella posizione corretta.
  2. Posizionare i distanziali (P3) sulla ventola controllando che le spine (P5) siano ben inserite nei fori (P6).
  3. Sistemare la lama (P2) sui distanziali (P3) verificando che le spine (P7) siano ben inserite nei fori (P8) sulla lama e che la lama sia ben in posizione come mostrato alla **Figura P**.
  4. Inserire il bullone della lama (P1) attraverso il foro centrale (P9) della lama.
  5. Avvitare bene a mano in senso orario.
  6. Tenere saldamente la ventola e serrare il bullone della lama con l'apposita chiave fornita.

## Candela

Una candela unta o con depositi di carbone rende difficoltoso l'avviamento e diminuisce l'efficienza del motore. Togliere periodicamente la candela e pulirla e regolarla come richiesto.

Registrazione gioco 0,028 – 0,031".  
Non togliere la candela quando il motore è caldo. Non smerigliare la candela per pulirla.

## Pulizia del filtro dell'aria

**Q1 – Condotta aria, Q2 – Corpo filtro aria, Q3 - Filtro Q4 – Linguetta di chiusura, Q5 – Coperchio filtro aria**  
Non far mai funzionare il motore senza filtro o con un filtro sporco. Facendolo si riduce notevolmente l'efficacia del motore che potrebbe anche subire danni.

Il vostro tosaerba è dotato di filtro dell'aria la cui manutenzione deve essere eseguita come descritto di seguito:

- **Controllare il filtro prima di ciascun impiego.**
- **Pulirlo ogni 25 ore o più frequentemente se viene usato in zone polverose.**
- **Sostituire il filtro ogni 200 ore.**

1. Premere le linguette di chiusura sulla parte superiore del coperchio del filtro dell'aria e togliere il coperchio.

2. Controllare che il filtro sia pulito e in buono stato.

**Se il filtro è sporco:**

Colpire varie volte il filtro su una superficie rigida per eliminare le impurità oppure soffiare aria compressa nel filtro dell'aria dal lato pulito che è quello verso il motore. Non cercare mai di eliminare le impurità con una spazzola. La spazzolatura fa penetrare le impurità nelle fibre.

3. Eliminare la sporcizia dal corpo e dal coperchio del filtro dell'aria usando uno straccio umido. Prestare attenzione ad evitare l'ingresso di impurità nel condotto dell'aria che si collega al carburatore.
4. Sostituire il filtro e il coperchio del filtro dell'aria.

## Cura del rassaerba

**Se non si intende utilizzare il rassaerba per lunghi periodi di tempo, è buona norma osservare le seguenti istruzioni:**

1. Arrestare il motore.
2. Chiudere completamente il rubinetto del carburante (K)
3. Riavviare il motore.
4. Quando il carburante si esaurisce, il motore comincia a spegnersi; a questo punto inclinare leggermente il tosaerba.
5. Quando il motore è fermo, lasciare andare la leva di avviamento/arresto
6. Scollegare il cavo della candela di accensione
7. Remove all fuel from the fuel tank.
8. Quando il motore è fermo, lasciare andare la leva di avviamento/arresto.
6. Scollegare il cavo della candela di accensione.
7. Togliere la benzina dal serbatoio.

### Pulizia

#### • **INDOSSARE GUANTI**

• **Mantenere il rassaerba sempre pulito - i rimasugli di erba accumulatisi nelle prese d'aria, intorno al motore o sotto il telaio possono provocare incendi.**

• **Non pulire con sostanze chimiche, fra cui benzina o solventi. Alcune di tali sostanze potrebbero distruggere importanti parti in plastica.**

1. Togliere l'erba da sotto il telaio con un pezzo di legno o oggetto simile.
2. Utilizzando un pennello morbido, togliere i rimasugli di erba accumulatisi intorno al motore e alle prese d'aria.
3. Togliere la ventola, vedere la sezione 'Rimozione e montaggio della lama e della ventola', e pulire con un pennello morbido.
4. Pulire la superficie del rassaerba con un panno asciutto.

### Trasporto del tosaerba

- Chiudere il rubinetto del carburante e trasportare il tosaerba con il motore in posizione orizzontale.
- Non trasportare mai il tosaerba quando è acceso.

### Rimessaggio del rassaerba

Chiudere il rubinetto del carburante e conservare il tosaerba in un luogo fresco, asciutto, privo di umidità e sicuro con il motore in posizione orizzontale.

Per garantire il taglio senza problemi la stagione successiva, provvedere alla manutenzione del rassaerba dopo l'ultimo taglio dell'anno osservando le seguenti istruzioni:

1. Arrestare il motore.
2. Chiudere completamente il rubinetto del carburante. (K)
3. Riavviare il motore.
4. Quando il carburante si esaurisce, il motore comincia a spegnersi; a questo punto inclinare leggermente il tosaerba.
5. Quando il motore è fermo, lasciare andare la leva di avviamento/arresto.

#### 6. **Scollegare il cavo della candela di accensione.**

7. Togliere la benzina dal serbatoio.
8. Togliere il cavo della candela di accensione e la candela. Versare un cucchiaino d'olio (5 ml) attraverso il foro della candela di accensione. Tirare il manico di avviamento due o tre volte per distribuire uniformemente l'olio sulle superfici interne del motore. Ispezionare, pulire e rimettere in posizione la candela di accensione. Qualora sia necessario sostituirla, rivolgersi al più vicino rivenditore o centro di assistenza Electrolux Outdoor Products autorizzati. Non ricollegare il cavo della candela di accensione.

9. Pulire il filtro dell'aria. Vedere la sezione 'Pulizia del filtro dell'aria'.
10. Sostituire la lama qualora risulti rotta, danneggiata o incurvata. Sostituire eventualmente il bullone della lama. Per ulteriori informazioni, vedere 'Rimozione e montaggio della lama e della ventola'.
11. Utilizzare esclusivamente i ricambi e gli accessori originali Flymo specifici per questo prodotto.
12. Pulire a fondo il rassaerba. Vedere la sezione 'Pulizia'.
13. Per gli interventi di manutenzione o riparazione, rivolgersi al più vicino rivenditore o centro di assistenza Electrolux Outdoor Products autorizzati.
14. Mettere il rassaerba in un luogo fresco, asciutto, privo di umidità e sicuro.

## Suggerimenti per la ricerca di guasti

### Mancato avviamento del motore

1. Controllare che la leva di avviamento sia ben premuta contro il manico superiore.
2. Controllare che vi sia sufficiente carburante nel serbatoio e che il rubinetto del carburante sia aperto
3. Controllare che la leva di comando dello starter si trovi nella posizione corretta :- posizione "Marcia" (N) – per un motore caldo, Posizione "Starter" (L) – per un motore freddo.
4. Può darsi che il motore si sia ingolfato. Togliere ed asciugare la candela di accensione.
5. Verificare che la miscela non sia errata o vecchia ed eventualmente sostituirla.
6. Verificare che il bullone della lama sia debitamente serrato. La presenza di un bullone lento può provocare problemi di avviamento.
7. Qualora il motore non si avvii ancora, scollegare il cavo della candela di accensione e rivolgersi al più vicino rivenditore o centro di assistenza.

### Flottazione insoddisfacente o mancanza di potenza.

1. Scollegare il cavo della candela di accensione.
2. Pulire il fondo del coperchio, il filtro dell'aria, la ventola e l'area circostante il motore e le prese d'aria.
3. Controllare che la leva di comando dello starter si trovi nella posizione "Marcia" (N)
4. Può darsi che la miscela sia errata o vecchia, nel qual caso, provvedere alla sostituzione.
5. Qualora la flottazione insoddisfacente o la mancanza di potenza persistano, scollegare il cavo della candela di accensione e rivolgersi al più vicino rivenditore o centro di assistenza Electrolux Outdoor Products.

### Vibrazione eccessiva

1. Scollegare il cavo della candela di accensione.
2. Verificare che la lama sia montata correttamente. **Vedi la sezione 'Smontaggio della lama e della ventola'.**
3. Sostituire la lama eventualmente danneggiata o consunta.
4. Qualora la vibrazione persista, non utilizzare il rassaerba, scollegare il cavo della candela di accensione e rivolgersi al più vicino rivenditore o centro di assistenza Electrolux Outdoor Products.

### EC DECLARATION OF CONFORMITY

<p>I, the undersigned M. Bowden of Electrolux Outdoor Products, Ayclife Industrial Park, <b>NEWTON AYLIFFE</b>, Co. Durham. DL5 6UP. Certify that the Product: Category..... <b>Petrol HVS</b> Make..... <b>Electrolux Outdoor Products</b> Conforms to the specifications of Directive 2000/14/EEC</p> <p>Type of Cutting Device..... <b>Rotary Blade</b> Identification of Series..... <b>See Product Rating Label</b> Conformity Assessment Procedure..... <b>ANNEX VI</b> Notified Body..... <b>I.T.S., Clevee Road, Leatherhead, Surrey, KT22 7SB England</b></p> <p>Other Directives:..... <b>98/37/EEC, 89/336/EEC</b> &amp; applicable standards:..... <b>EN836, ISO14982</b></p> <p>Type..... <b>XL500/XL550</b></p>	<p>I, the undersigned M. Bowden of Electrolux Outdoor Products, Ayclife Industrial Park, <b>NEWTON AYLIFFE</b>, Co. Durham. DL5 6UP. Certify that a sample of the above product has been tested using directive 81/1051/EEC as a guide. The maximum A-weighted sound pressure level recorded at operator position under free field semi anechoic chamber conditions was :-</p>	<p>I, the undersigned M. Bowden of Electrolux Outdoor Products, Ayclife Industrial Park, <b>NEWTON AYLIFFE</b>, Co. Durham. DL5 6UP. Certify that a sample of the above product has been tested using ISO 5349 as a guide. The maximum weighted root mean square value of vibration recorded at operator's hand position was:-</p>
<p>Engine Manufacturer..... <b>Honda GCV135/GCV160</b></p> <p>Width of Cut..... <b>50.5 cm</b></p> <p>Speed of Rotation of Cutting Device..... <b>3,300 RPM</b></p> <p>Guaranteed sound power level..... <b>99 dB(A)</b></p> <p>Measured Sound Power Level..... <b>97 dB(A)</b></p> <p>Level..... <b>86.8 dB(A)</b></p> <p>Value..... <b>3.3 m/s<sup>2</sup></b></p> <p>Weight..... <b>16 kg/16.5 kg</b></p>		

### EC KONFORMITÄTSERKLÄRUNG

<p>Ich, der Unterzeichner M. Bowden of Electrolux Outdoor Products, Ayclife Industrial Park, <b>NEWTON AYLIFFE</b>, Co. Durham. DL5 6UP. Bescheinige, dass das Produkt: Kategorie..... <b>Benzinluftkissenmäher</b> Fabrikant..... <b>Electrolux Outdoor Products</b> die Spezifikationen der Direktive 2000/14/EG erfüllt</p> <p>Schneidwerktyp..... <b>Rotierendes Messer</b> Identifizierung der Reihe..... <b>Siehe Produkttypenschild</b> Konformitätsbestätigungsverfahren..... <b>ANNEX VI</b> Benachrichtigte Behörde..... <b>I.T.S., Clevee Road, Leatherhead, Surrey, KT22 7SB England</b></p> <p>Andere Direktiven..... <b>98/37/EEC, 89/336/EEC</b> und Normen..... <b>EN836, ISO14982</b></p> <p>Typ..... <b>XL500/XL550</b></p>	<p>Ich, der Unterzeichner M. Bowden, Electrolux Outdoor Products, Ayclife Industrial Park, <b>NEWTON AYLIFFE</b>, Co. Durham, DL5 6UP, bescheinige hiermit, daß eine Probe des obigen Produkts getestet wurde und dabei Direktive 81/1051/EWG als Richtschnur verwendet wurde. Der maximale A-gewichtete Schalldruckpegel, der an der Bedienereposition unter Freifeldhalbschallkammerbedingungen gemessen wurde, betrug:-</p>	<p>Ich, der Unterzeichner M. Bowden, Electrolux Outdoor Products, Ayclife Industrial Park, <b>NEWTON AYLIFFE</b>, Co. Durham, DL5 6UP, bescheinige hiermit, daß eine Probe des obigen Produkts getestet wurde und dabei ISO 5349 als Richtschnur verwendet wurde. Der maximale gewichtete Vibrationseffektivwert, der an der Handposition des Bedieners gemessen wurde, betrug:-</p>
<p>Motorhersteller..... <b>Honda GCV135/GCV160</b></p> <p>Schnittbreite..... <b>50,5 cm</b></p> <p>Umdrehungsgeschwindigkeit des Schneidwerks..... <b>3,300 RPM</b></p> <p>Garantierter Geräuschpegel..... <b>99 dB(A)</b></p> <p>Gemessener Geräuschpegel..... <b>97 dB(A)</b></p> <p>Heiß..... <b>86,8 dB(A)</b></p> <p>Wert..... <b>3,3 m/s<sup>2</sup></b></p> <p>Gewicht..... <b>16 kg/16,5 kg</b></p>		

### EC DÉCLARATION DE CONFORMITÉ

<p>Je soussigné M. Bowden of Electrolux Outdoor Products, Ayclife Industrial Park, <b>NEWTON AYLIFFE</b>, Co. Durham. DL5 6UP. Certifie que ce produit: Catégorie..... <b>Coussin d'air à essence</b> Marque..... <b>Electrolux Outdoor Products</b> est conforme aux spécifications de la Directive 2000/14/EEC</p> <p>Type d'outil de coupe..... <b>Lame rotative</b> Identification de la série..... <b>Voir la Plaquette D'identification</b> Procédure d'évaluation de la conformité..... <b>ANNEX VI</b> Organisme notifié..... <b>I.T.S., Clevee Road, Leatherhead, Surrey, KT22 7SB England</b></p> <p>Autres directives..... <b>98/37/EEC, 89/336/EEC</b> et aux normes..... <b>EN836, ISO14982</b></p> <p>Type..... <b>XL500/XL550</b></p>	<p>Je soussigné M. Bowden, Electrolux Outdoor Products, Ayclife Industrial Park, <b>NEWTON AYLIFFE</b>, Co. Durham, DL5 6UP, Grande-Bretagne, certifie qu'un échantillon du produit ci-dessus a été essayé selon les indications de la directive 81/1051/EEC. Le niveau maximal autorisé de pression acoustique mesuré à la position de l'opérateur en champ libre en chambre demi-sourde était de:-</p>	<p>Je soussigné M. Bowden, Electrolux Outdoor Products, Ayclife Industrial Park, <b>NEWTON AYLIFFE</b>, Co. Durham, DL5 6UP, Grande-Bretagne, certifie qu'un échantillon du produit ci-dessus a été essayé selon les indications de la norme ISO 5349. Le moyen quadratique pondéré des vibrations enregistrées à la position de la main de l'opérateur était de:-</p>
<p>Fabricant du moteur..... <b>Honda GCV135/GCV160</b></p> <p>Largueur de coupe..... <b>50,5 cm</b></p> <p>Vitesse de rotation de l'outil de coupe..... <b>3,300 RPM</b></p> <p>Niveau garanti de puissance sonore..... <b>99 dB(A)</b></p> <p>Niveau mesuré de puissance sonore..... <b>97 dB(A)</b></p> <p>Niveau..... <b>86,8 dB(A)</b></p> <p>Valeur..... <b>3,3 m/s<sup>2</sup></b></p> <p>Poids..... <b>16 kg/16,5 kg</b></p>		

### EC KONFORMITEITSVERKLARING

<p>Ik, ondergetekende M. Bowden of Electrolux Outdoor Products, Ayclife Industrial Park, <b>NEWTON AYLIFFE</b>, Co. Durham. DL5 6UP. Verklaaren dat het product: Categorie..... <b>Benzine zweefmaaiër</b> Merk..... <b>Electrolux Outdoor Products</b> Voldoet aan de specificaties van directief 2000/14/EEC</p> <p>Type maaiër..... <b>Roterend mes</b> Identificatie van serie..... <b>Zie Productlabel</b> Procedure voor het beoordelen van conformiteit..... <b>ANNEX VI</b> Op de hoogte gestelde instantie..... <b>I.T.S., Clevee Road, Leatherhead, Surrey, KT22 7SB England</b></p> <p>Andere directieven..... <b>98/37/EEC, 89/336/EEC</b> en aan de volgende normen..... <b>EN836, ISO14982</b></p> <p>Type..... <b>XL500/XL550</b></p>	<p>Ik, ondergetekende M. Bowden, Electrolux Outdoor Products, Ayclife Industrial Park, <b>NEWTON AYLIFFE</b>, Co. Durham, DL5 6UP, verklaar hierbij dat een steekproef van het bovengenoemde product is getest volgens richtlijn 81/1051/EEC. Het maximale A-belaste geluidsdrukniveau dat is geregistreerd bij de positie van de bediener in een semi geluiddichte ruimte bij vrije veld condities bedraagt:-</p>	<p>Ik, ondergetekende M. Bowden, Electrolux Outdoor Products, Ayclife Industrial Park, <b>NEWTON AYLIFFE</b>, Co. Durham, DL5 6UP, verklaar hierbij dat een proefexemplaar van het bovengenoemde product is getest volgens ISO 5349 als richtlijn. De maximale belaste effectieve waarde van trilling, geregistreerd bij de positie van de hand van de bediener, bedraagt:-</p>
<p>Fabricant du moteur..... <b>Honda GCV135/GCV160</b></p> <p>Maalbreedte..... <b>50,5 cm</b></p> <p>Toerental maaiër..... <b>3,300 RPM</b></p> <p>Gegarandeerd geluidsvermogen..... <b>99 dB(A)</b></p> <p>Gemeten geluidsvermogen..... <b>97 dB(A)</b></p> <p>Niveau..... <b>86,8 dB(A)</b></p> <p>Waarde..... <b>3,3 m/s<sup>2</sup></b></p> <p>Gewicht..... <b>16 kg/16,5 kg</b></p>		

### EC KONFORMITÄTSEKLERING

<p>Undertegnede, M. Bowden of Electrolux Outdoor Products, Ayclife Industrial Park, <b>NEWTON AYLIFFE</b>, Co. Durham. DL5 6UP. Attesterer at produkt: Kategori..... <b>Bensin sveie</b> Merke..... <b>Electrolux Outdoor Products</b> Svarer til spesifikasjonene i Direktiv 2000/14/EEC</p> <p>Type klippemåterning..... <b>Roterendes kniv</b> Serieidentifikasjon..... <b>Se Produktets klassifiseringsetikett</b> Prosedyre for konformitetsvurdering..... <b>ANNEX VI</b> Etat det er meldt fra til..... <b>I.T.S., Clevee Road, Leatherhead, Surrey, KT22 7SB England</b></p> <p>Andre direktiver..... <b>98/37/EEC, 89/336/EEC</b> og standarder..... <b>EN836, ISO14982</b></p> <p>Type..... <b>XL500/XL550</b></p>	<p>Undertegnede, M. Bowden, Electrolux Outdoor Products, Ayclife Industrial Park, <b>NEWTON AYLIFFE</b>, Co. Durham, DL5 6UP, bevittner at en prøve av ovennevnte produkt er testet, med direktiv 81/1051/EEC som rettleiding. Maksimum A-belastede lydtrykknivå, registrert ved brukerens plassering, under frittt felt halvveis ekokkofft kammerforhold, var:-</p>	<p>Undertegnede, M. Bowden, Electrolux Outdoor Products, Ayclife Industrial Park, <b>NEWTON AYLIFFE</b>, Co. Durham, DL5 6UP, bevittner at en prøve av ovennevnte produkt er testet, med direktiv ISO 5349 som rettleiding. Maksimum belastede effektivverdi av vibrering, registrert ved plasseringen av brukerens hand, var:-</p>
<p>Motorprodusent..... <b>Honda GCV135/GCV160</b></p> <p>Klippbreedde..... <b>50,5 cm</b></p> <p>Klippeinnretningens rotasjons hastighet..... <b>3,300 RPM</b></p> <p>Garantert lyd kraftnivå..... <b>99 dB(A)</b></p> <p>Målt lyd kraftnivå..... <b>97 dB(A)</b></p> <p>Nivå..... <b>86,8 dB(A)</b></p> <p>Verdi..... <b>3,3 m/s<sup>2</sup></b></p> <p>Vekt..... <b>16 kg/16,5 kg</b></p>		

### EC VAIMUTISNUMSTENMUKAISUUSVAKUUTUS

<p>Minä allekirjoittanut M. Bowden of Electrolux Outdoor Products, Ayclife Industrial Park, <b>NEWTON AYLIFFE</b>, Co. Durham. DL5 6UP. Varmistava, että laite: Luokitus..... <b>Bensiniinkäyttöinen</b> Merkki..... <b>Imatynnyryhönleikkuri</b> Tuotteen tyyppi..... <b>Electrolux Outdoor Products</b> Vastaa direktiivin 2000/14/ETY vaatimuksia.</p> <p>Leikkauslaitteen tyyppi..... <b>Pöyryvä terä</b> Sarjan Tunnus..... <b>Katso Tuotteen Arvolpikett</b> Yhdenmukaisuusarviointi..... <b>ANNEX VI</b> Tiedotusosaapuoli..... <b>I.T.S., Clevee Road, Leatherhead, Surrey, KT22 7SB England</b></p> <p>Muut direktiivit..... <b>98/37/EEC, 89/336/EEC</b> sekä standardit..... <b>EN836, ISO14982</b></p> <p>Tyyppi..... <b>XL500/XL550</b></p>	<p>Minä allekirjoittanut M. Bowden, Electrolux Outdoor Products, Ayclife Industrial Park, <b>NEWTON AYLIFFE</b>, Co. Durham DL5 6UP, vahvistan, että yllä mainitun tuotteen näytekappale on tarkastettu Ety-direktiivin 81/1051/ETY viiteenä. Suurin A-painotettu käyttäjän kohtallia mittauksiä äänipainotettuna puukauttomassa huoneessa käyttäjän tasolla oli seuraava:-</p>	<p>Minä allekirjoittanut M. Bowden, Electrolux Outdoor Products, Ayclife Industrial Park, <b>NEWTON AYLIFFE</b>, Co. Durham DL5 6UP, vahvistan, että yllä mainitun tuotteen näytekappale on tarkastettu käyttäjien ISO 5349 -standardia viiteenä. Suurin painotettu käsisivartitän käyttäjän kohdalla oli seuraava:-</p>
<p>Moottoripääntyyppi..... <b>Honda GCV135/GCV160</b></p> <p>Leikkauslaite..... <b>50,5 cm</b></p> <p>Leikkauslaiteen pyörimisnopeus..... <b>3,300 RPM</b></p> <p>Taattu luotettava tehontaso..... <b>99 dB(A)</b></p> <p>Taattu luotettava tehontaso..... <b>97 dB(A)</b></p> <p>Täso..... <b>86,8 dB(A)</b></p> <p>Arvo..... <b>3,3 m/s<sup>2</sup></b></p> <p>Paino..... <b>16 kg/16,5 kg</b></p>		

## EC FÖRSÄKRAN OM ÖVERENSSTÄMMELSE

Jag, undertecknad M. Bowden of Electrolux Outdoor Products, Aycliffe Industrial Park, <b>NEWTON AYCLIFFE</b> , Co. Durham, DL5 6UP. Inlygga att produkten: Kategori..... <b>Bensindrivna svårare</b> Tillverkare..... <b>Electrolux Outdoor Products</b> Överensstämmer med specifikationerna i direktivet 2000/14/EEC Typ av klippanordning..... <b>Roterande blad</b> Identifiering av serie..... <b>Se Produktidentifieringskett</b> Metod för bedömning av överensstämmelse..... <b>ANNEK VI</b> Notifierat organ..... <b>I.T.S., Cleeve Road, Leatherhead, Surrey, KT22 7SB England</b> Andra direktiv..... <b>98/37/EEC, 89/336/EEC</b> samt följande standarder..... <b>EN836, ISO14982</b>	Jag, undertecknad M. Bowden, Electrolux Outdoor Products, Aycliffe Industrial Park, <b>NEWTON AYCLIFFE</b> , Co Durham, DL5 6UP, betygar att ett exemplar av ovan nämnda produkt har testats med bestämmelse 81/1051/EEC som riktnote. Det maximala A-vägd ljudtrycknivån som uppmättes vid körplatsen under förhållanden i en fritillsat halv ekokammare var:-  Typ..... <b>XL500/XL550</b> Motortillverkare..... <b>Honda GCV135/GCV160</b> Klippbredd..... <b>50,5 cm</b> Varvtal på klippanordning..... <b>3.300 RPM</b> Garanterad ljudnivå på motor..... <b>99 dB(A)</b> Uppmätt ljudnivå på motor..... <b>97 dB(A)</b> Nivå..... <b>86,8 dB(A)</b> Vårde..... <b>3,3 m/s²</b> Vægt..... <b>16 kg/16,5 kg</b>	Jag, undertecknad M. Bowden, Electrolux Outdoor Products, Aycliffe Industrial Park, <b>NEWTON AYCLIFFE</b> , Co Durham, DL5 6UP, betygar att ett exemplar av ovan nämnda produkt har testats med bestämmelse ISO 5349 som riktnote. Det maximala vägd kvadratiske medelvärde för vibration som uppmätts vid förarens handlagre var:-  Typ..... <b>XL500/XL550</b> Motorproducent..... <b>Honda GCV135/GCV160</b> Klippbredd..... <b>50,5 cm</b> Klippenhedens rotationshastighet..... <b>3.300 RPM</b> Garanterat lydeftektivniveau..... <b>99 dB(A)</b> Mått lydeftektivniveau..... <b>97 dB(A)</b> Niveau..... <b>86,8 dB(A)</b> Vårde..... <b>3,3 m/s²</b> Vægt..... <b>16 kg/16,5 kg</b>
---	---	--

## EC ÖVERENSSTÄMMELSESERKLÄRING

Undertegnede, M. Bowden of Electrolux Outdoor Products, Aycliffe Industrial Park, <b>NEWTON AYCLIFFE</b> , Co. Durham, DL5 6UP. Kontrollär, at produktet:- Kategori..... <b>Benzindrevet luftpudeflipper</b> Fabrikat..... <b>Electrolux Outdoor Products</b> over holder specifikationerne i direktivet 2000/14/EEC Type klippehed..... <b>Rotorklinge</b> Identifikation af serie..... <b>Se Produktmærkat</b> Fremgængemåde til vurdering af overensstemmelse..... <b>ANNEK VI</b> Underrettet organ..... <b>I.T.S., Cleeve Road, Leatherhead, Surrey, KT22 7SB England</b> Andre direktiver..... <b>98/37/EEC, 89/336/EEC</b> og standarderne..... <b>EN836, ISO14982</b>	Undertegnede, M. Bowden, Electrolux Outdoor Products, Aycliffe Industrial Park, <b>NEWTON AYCLIFFE</b> , Co. Durham DL5 6UP, attesterer herved, at en prøve af ovenstående produkt er blevet testet, idet direktiv 81/1051/EEC er blevet anvendt som vejledning. Det maksimale A-vægtede lydtrykniveau, som er blevet målt på brugerpositionen i et fritlæsthalvdyttet rum var:-  Type..... <b>XL500/XL550</b> Motorproducent..... <b>Honda GCV135/GCV160</b> Klippbredd..... <b>50,5 cm</b> Klippehedens rotationshastighed..... <b>3.300 RPM</b> Garanteret lydeftektivniveau..... <b>99 dB(A)</b> Målt lydeftektivniveau..... <b>97 dB(A)</b> Niveau..... <b>86,8 dB(A)</b> Vårde..... <b>3,3 m/s²</b> Vægt..... <b>16 kg/16,5 kg</b>	Undertegnede, M. Bowden, Electrolux Outdoor Products, Aycliffe Industrial Park, <b>NEWTON AYCLIFFE</b> , Co. Durham DL5 6UP, attesterer herved, at en prøve af ovenstående produkt er blevet testet, idet ISO 5349 er blevet benyttet som vejledning. Den maksimale vægtede effektivværdi for vibration som er blevet registreret ved brugerens håndposition var:-  Typ..... <b>XL500/XL550</b> Motorproducent..... <b>Honda GCV135/GCV160</b> Klippbredd..... <b>50,5 cm</b> Klippehedens rotationshastighed..... <b>3.300 RPM</b> Garanteret lydeftektivniveau..... <b>99 dB(A)</b> Målt lydeftektivniveau..... <b>97 dB(A)</b> Niveau..... <b>86,8 dB(A)</b> Vårde..... <b>3,3 m/s²</b> Vægt..... <b>16 kg/16,5 kg</b>
--	--	---

## EC DECLARACIÓN DE CONFORMIDAD

El abajo firmante M. Bowden of Electrolux Outdoor Products, Aycliffe Industrial Park, <b>NEWTON AYCLIFFE</b> , Co. Durham, DL5 6UP. Certifico que el producto:- Categoría..... <b>Cortacésped aerodeslizador de gasolina</b> Marca..... <b>Electrolux Outdoor Products</b> Está conforme con las especificaciones de la Directiva 2000/14/CEE Tipo de dispositivo de corte..... <b>Cuchilla rotativa</b> Identificación de la serie..... <b>Ver Etiqueta de Identificación Del Producto</b> Procedimiento de evaluación de conformidad..... <b>ANNEK VI</b> Organismo notificado..... <b>I.T.S., Cleeve Road, Leatherhead, Surrey, KT22 7SB England</b> Otras directivas..... <b>98/37/EEC, 89/336/EEC</b> y con las normativas..... <b>EN836, ISO14982</b>	El abajo firmante M. Bowden, Electrolux Outdoor Products, Aycliffe Industrial Park, <b>NEWTON AYCLIFFE</b> , Co. Durham DL5 6UP. Certifico que ha sido probada una muestra del producto anteriormente mencionado utilizando la directiva 81/1051/EEC como guía. El máximo nivel de presión de sonido ponderado A registrado en la posición del operario bajo condiciones de cámara anecoica de semi campo fue de:-  Tipo..... <b>XL500/XL550</b> Fabricante del motor..... <b>Honda GCV135/GCV160</b> Anchura de corte..... <b>50,5 cm</b> Velocidad de rotación del dispositivo de corte..... <b>3.300 RPM</b> Nivel de potencia sonora garantizado..... <b>99 dB(A)</b> Nivel de potencia sonora medido..... <b>97 dB(A)</b> Nivel..... <b>86,8 dB(A)</b> Valor..... <b>3,3 m/s²</b> Peso..... <b>16 kg/16,5 kg</b>	El abajo firmante M. Bowden, Electrolux Outdoor Products, Aycliffe Industrial Park, <b>NEWTON AYCLIFFE</b> , Co. Durham DL5 6UP. Certifico que ha sido probada una muestra del producto anteriormente mencionado utilizando como guía ISO 5349. El valor máximo ponderado de la media de la raíz cuadrada de la vibración registrada en la posición de la mano del operario fue de:-  Typ..... <b>XL500/XL550</b> Motorproducent..... <b>Honda GCV135/GCV160</b> Klippbredd..... <b>50,5 cm</b> Klippehedens rotationshastighed..... <b>3.300 RPM</b> Garanteret lydeftektivniveau..... <b>99 dB(A)</b> Målt lydeftektivniveau..... <b>97 dB(A)</b> Niveau..... <b>86,8 dB(A)</b> Vårde..... <b>3,3 m/s²</b> Vægt..... <b>16 kg/16,5 kg</b>
--	---	---

## EC DECLARAÇÃO DE CONFORMIDADE

Eu, abaixo assinado, M. Bowden of Electrolux Outdoor Products, Aycliffe Industrial Park, <b>NEWTON AYCLIFFE</b> , Co. Durham, DL5 6UP. Certifico que o produto:- Categoria..... <b>Máquina de Cortar Relva a Gasolina, com Almofada de Ar</b> Marca..... <b>Electrolux Outdoor Products</b> Está em conformidade com a Directiva 2000/14/CEE Tipo de Dispositivo de Corte..... <b>Lâmina Rotativa</b> Identificação da série..... <b>Consulte a Etiqueta de Especificações do Produto</b> Procedimento de Avaliação de Conformidade..... <b>ANNEK VI</b> Órgão Notificado..... <b>I.T.S., Cleeve Road, Leatherhead, Surrey, KT22 7SB England</b> Outras Directivas..... <b>98/37/EEC, 89/336/EEC</b> e com as normas..... <b>EN836, ISO14982</b>	Eu, abaixo assinado, M. Bowden, Electrolux Outdoor Products, Aycliffe Industrial Park, <b>NEWTON AYCLIFFE</b> , Co. Durham, DL5 6UP. Certifico que uma amostra do produto acima foi testada tendo como guia a directiva 81/1051/EEC. O valor máximo da média pesada A do nível de pressão do som registado na posição do operador, em condições de câmara semi-aneóica de campo livre foi:-  Tipo..... <b>XL500/XL550</b> Fabricante do Motor..... <b>Honda GCV135/GCV160</b> Largura de Corte..... <b>50,5 cm</b> Velocidade de Rotação do Dispositivo de Corte..... <b>3.300 RPM</b> Nível de Intensidade de Som Garantido..... <b>99 dB(A)</b> Nível de Intensidade de Som Medido..... <b>97 dB(A)</b> Nivel..... <b>86,8 dB(A)</b> Valor..... <b>3,3 m/s²</b> Peso..... <b>16 kg/16,5 kg</b>	Eu, abaixo assinado, M. Bowden, Electrolux Outdoor Products, Aycliffe Industrial Park, <b>NEWTON AYCLIFFE</b> , Co. Durham, DL5 6UP. Certifico que uma amostra do produto acima foi testada tendo como guia a norma ISO 5349. O valor máximo da média quadrática pesada da vibração registado na posição da mão do operador foi:-  Typ..... <b>XL500/XL550</b> Motorproducent..... <b>Honda GCV135/GCV160</b> Klippbredd..... <b>50,5 cm</b> Klippehedens rotationshastighed..... <b>3.300 RPM</b> Garanteret lydeftektivniveau..... <b>99 dB(A)</b> Målt lydeftektivniveau..... <b>97 dB(A)</b> Niveau..... <b>86,8 dB(A)</b> Vårde..... <b>3,3 m/s²</b> Vægt..... <b>16 kg/16,5 kg</b>
---	--	--

## EC DICHIARAZIONE DI CONFORMITÀ

Il sottoscritto M. Bowden of Electrolux Outdoor Products, Aycliffe Industrial Park, <b>NEWTON AYCLIFFE</b> , Co. Durham, DL5 6UP. Certifico che il prodotto:- Categoria..... <b>Tosaerba aeroscolante a benzina</b> Marca..... <b>Electrolux Outdoor Products</b> è conforme alle normative della Direttiva 2000/14/CEE Tipo di lama..... <b>Rotativa</b> Identificazione serie..... <b>Vedi Etichetta Dati Prodotto</b> Procedura di valutazione della conformità..... <b>ANNEK VI</b> Ente notificato..... <b>I.T.S., Cleeve Road, Leatherhead, Surrey, KT22 7SB England</b> Altre direttive..... <b>98/37/EEC, 89/336/EEC</b> e alle normative..... <b>EN836, ISO14982</b>	Il sottoscritto, M. Bowden, Electrolux Outdoor Products, Aycliffe Industrial Park, <b>NEWTON AYCLIFFE</b> , Co. Durham, DL5 6UP, dichiara che un campione del suddetto prodotto è stato testato in base alla direttiva 81/1051/CEE. Il livello massimo di pressione sonora categoria A rilevato in corrispondenza della posizione di guida in condizioni di camera semianecoica in campo libero era di:-  Tipo..... <b>XL500/XL550</b> Marca motore..... <b>Honda GCV135/GCV160</b> Larghezza di taglio..... <b>50,5 cm</b> Velocità di rotazione della lama..... <b>3.300 RPM</b> Livello sonoro garantito..... <b>99 dB(A)</b> Livello sonoro misurato..... <b>97 dB(A)</b> Livello..... <b>86,8 dB(A)</b> Valore..... <b>3,3 m/s²</b> Peso..... <b>16 kg/16,5 kg</b>	Il sottoscritto, M. Bowden, Electrolux Outdoor Products, Aycliffe Industrial Park, <b>NEWTON AYCLIFFE</b> , Co. Durham, DL5 6UP, dichiara che un campione del suddetto prodotto è stato testato in base alla direttiva ISO 5349. Il valore ponderale massimo di vibrazione sonora efficace rilevato in corrispondenza delle mani dell'operatore era di:-  Typ..... <b>XL500/XL550</b> Motorproducent..... <b>Honda GCV135/GCV160</b> Klippbredd..... <b>50,5 cm</b> Klippehedens rotationshastighed..... <b>3.300 RPM</b> Garanteret lydeftektivniveau..... <b>99 dB(A)</b> Målt lydeftektivniveau..... <b>97 dB(A)</b> Niveau..... <b>86,8 dB(A)</b> Vårde..... <b>3,3 m/s²</b> Vægt..... <b>16 kg/16,5 kg</b>
--	---	---



Newton Aycliffe, 06/01/2004  
 M. Bowden,  
 Research & Development Director

<b>BELGIQUE/BELGIË</b>	<b>Flymo Belgique/België</b> Tel: 02 363 0311, Fax: 02 363 0391
<b>ČESKÁ REPUBLIKA</b>	<b>Electrolux, spol. s.r.o., oz Electrolux Outdoor Products,</b> Na Křečku 365, 109 00 Praha 10 - Horní Měcholupy. Tel: 274008905, Info-linka: 800/110 220 Internet: www.partner-flymo.cz E-mail: info@husqvarna.cz
<b>DANMARK</b>	<b>Electrolux Outdoor Products, Flymo/Partner A/S,</b> Lundtoftegaardsvej 93A, DK 2800 Kgs.Lyngby Tel: 45 87 75 77, Fax: 45 93 33 08, www.flymo-partner.dk
<b>DEUTSCHLAND</b>	<b>Flymo Deutschland</b> Tel: 097 21 7640, Fax:097 21 764202
<b>ESTONIA</b>	<b>Electrolux Estonia Ltd (Electrolux Eesti AS)</b> Tel: (372) 6650010
<b>FRANCE</b>	<b>Flymo France SNC</b> Tel 01 46 67 8141, Fax 01 43 34 2491
<b>FINLAND SUOMI</b>	<b>Electrolux Outdoor Products Finland</b> Tel: 00 358 9 39611, Fax: 00 358 9 3961 2644
<b>ITALIA</b>	<b>McCulloch Italiana s.r.l. - Via Como 72, 23868 Valmadrera (LECCO) - ITALIA</b> Tel: 800 017829, Fax: 0341 581671
<b>IRELAND</b>	<b>Flymo Ireland</b> Tel: 01 4565222, Fax: 01 4568551
<b>MAGYARORSZÁG</b>	<b>Electrolux Lehel Kft</b> Tel: 00 36 1 251 41 47
<b>NORGE</b>	<b>Flymo/Partner, div. av Electrolux Motor a.s.</b> Tel: 69 10 47 90
<b>NEDERLAND</b>	<b>Flymo Nederland</b> Tel: 0172-468322, Fax: 0172-468219
<b>ÖSTERREICH</b>	<b>Husqvarna-Ges.m.b.H. Nfg. KG, Industriezeile 36, 4010 LINZ,</b> Tel: 0732 770101-0, Fax: 0732 770101-40, email: office@husqvarna.co.at Internet: www.husqvarna.at
<b>POLSKA</b>	<b>Electrolux Poland Sp. z.o.o. Husqvarna, Wysockiego 15 b 03-371 Warszawa</b> Tel:- (0-22) 330 96 00, Fax: (0-22) 330 96 35
<b>SLOVENIJA</b>	<b>Husqvarna-Ges.m.b.H. Nfg. KG, Industriezeile 36, 4010 LINZ,</b> Tel: 0732 770101-0, Fax: 0732 770101-40, email: office@husqvarna.co.at Internet: www.husqvarna.at
<b>SLOVENSKO</b>	<b>Electrolux Slovakia s.r.o., Borova Sihot 211, 033 01 Lipt. Hradok</b> Tel: 044 522 14 19, Fax: 044 522 14 18, www.flymo-partner.sk
<b>SCHWEIZ/SUISSE/SUIZZERA</b>	<b>Flymo Schweiz/Suisse/Suizzera</b> Tel 062 889 93 50 / 889 94 25, Fax 062 889 93 60 / 889 94 35
<b>SVERIGE</b>	<b>Electrolux Outdoor Products, Sverige</b> Tel: 036 – 14 67 00, Fax: 036 – 14 60 70
<b>UNITED KINGDOM</b>	<b>Electrolux Outdoor Products United Kingdom</b> Tel: 01325 300303, Fax: 01325 310339

Electrolux Outdoor Products  
Aycliffe Industrial Park  
NEWTON AYCLIFFE  
Co.Durham DL5 6UP  
ENGLAND

Telephone - (00) 44 1325 300303 Fax - (00) 44 1325 310339

UK Telephone - 01325 300303 Fax - 01325 310339

[www.electrolux.com/flymo](http://www.electrolux.com/flymo)

Our policy of continuous improvement means that the specification of products may be altered from time to time without prior notice. Electrolux Outdoor Products manufacture products for a number of well known brands under various registered patents, designs and trademarks in several countries.

© Electrolux Outdoor Products Ltd. Registered Office, Electrolux Works, Oakley Road, Luton LU4 9QQ  
Registered number 974979 England



**The Electrolux Group. The world's No.1 choice.**

The Electrolux Group is the world's largest producer of powered appliances for kitchen, cleaning and outdoor use. More than 55 million Electrolux Group products (such as refrigerators, cookers, washing machines, vacuum cleaners, chain saws and lawn mowers) are sold each year to a value of approx. USD 14 billion in more than 150 countries around the world.

