

B33

Tanaka

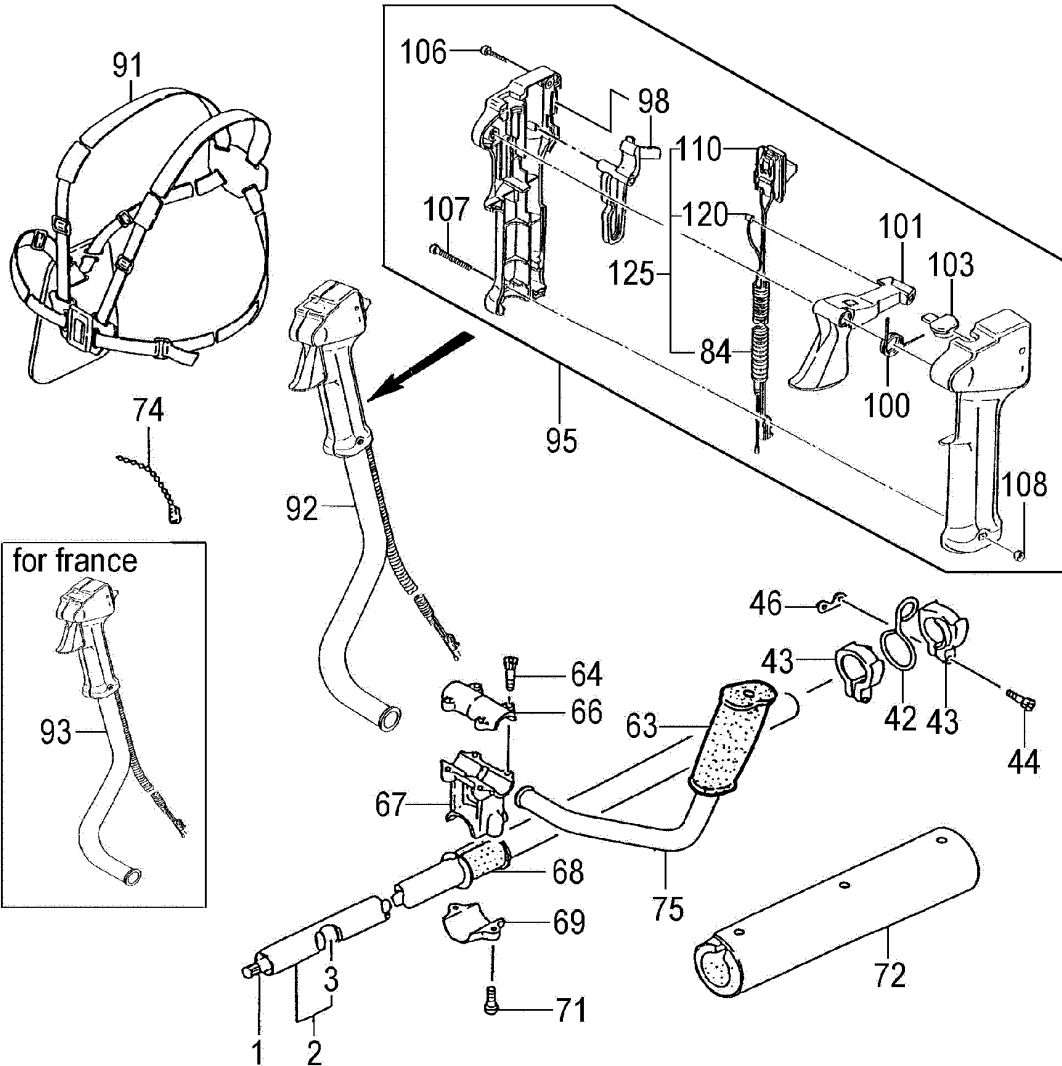
TBC 2501/S/D/DS

A partir du numéro de série : **B038900**

03 février 2005

B33
12

TBC-2501,S,D,DS OPERATION PIPE (TBC-2501D,DS)



Parts List

Ref.	Part No.	Description	Q'ty	Serial No.
001	343-38170-20	DRIVE SHAFT 1487L	1	
002	341-37623-81	DRIVE SHAFT PIPE COMP.,1450L	1	- A277750
002	341-37623-82	DRIVE SHAFT PIPE COMP.	1	A277751 -
003	347-37300-90	BUSHING ASS'Y	5	
042	335-37307-20	LIFTING METAL, 90 DGR SWIVEL	1	
043	334-37304-21	LIFTING METAL COLLAR	2	
044	994-62050-304	HEX. HOLE BOLT 5X30.P	2	
046	315-37304-20	SPECIAL NUT	1	
063	165-37590-20	HANDLE GRIP	1	
064	994-61050-254	HEX. HOLE BOLT 5X25/S	4	
066	506-37623-20	HANDLE BRACKET A	1	
067	507-37623-20	HANDLE BRACKET B	1	
068	510-37304-20	HANDLE BRACKET RUBBER	1	
069	508-37623-20	HANDLE BRACKET C	1	
071	994-81060-254	HEX. HOLE BUTTON SCREW 6X25S	2	
072	336-33411-82	CUSHION PAD COMP.	1	
074	460-33111-20	CLAMP B.	1	
075	502-37415-21	LEFT HANDLE	1	
084	164-07086-50	PROTECTION TUBE	1	
091	746-37455-91	SHOULDER BELT ASS'Y,CR/DOUBLE	1	
092	501-37822-20	RIGHT HANDLE	1	
093	501-37169-20	RIGHT HANDLE SK	1	
095	870-38401-90	THROTTLE LEVER ASS'Y, 19 DIA.	1	
098	253-38400-20	SAFETY LEVER	1	
100	832-38400-20	RETURN SPRING	1	
101	880-38401-20	THROTTLE LEVER	1	
103	322-38400-20	BLIND PLUG	1	
106	993-46040-202	SCREW 4X20, BLACK	2	
107	994-31050-303	SCREW 5X30, BLACK	1	
108	991-01050-043	CONTAL NUT 5	1	
110	156-38401-80	STOP SWITCH	1	
120	887-38401-80	THROTTLE WIRE	1	
125	885-38401-80	THROTTLE WIRE COMP.	1	

B33
14

TBC-2501,S,D,DS TOOLS/OPTIONAL PARTS

Parts List

Ref.	Part No.	Description	Q'ty	Serial No.
001	813-20000-20	HEX. WRENCH 4	1	
002	826-20000-80	COMBI, BOX WRENCH 17X19	1	
005	615-37224-20	CUTTER COVER	2	
011	307-37307-20	WINDING PROTECTOR	1	
012	308-38150-20	PROTECTION COVER B	1	
030	541-37590-20	PROTECTION GLASSES	1	

