

Brand	McCulloch, Partner, private labels
--------------	------------------------------------

date	20/11/2007
number	MBEN2007_V470000005

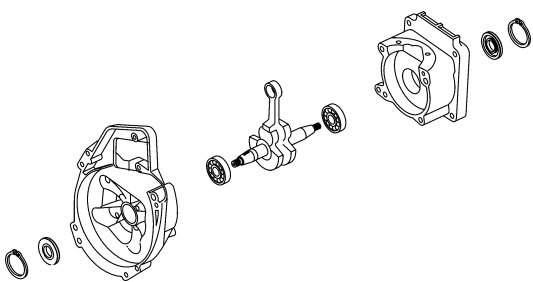
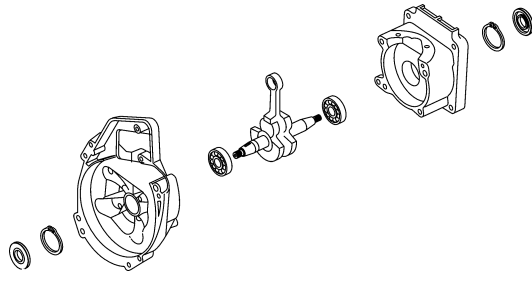
Models	
953900746	CABRIO PLUS 347L
953900747	CABRIO PLUS 347B
953900748	CABRIO PLUS 407L
953900749	CABRIO PLUS 407B
953900750	CABRIO PLUS 437L
953900751	CABRIO PLUS 437B
953900752	CABRIO PLUS 467L
953900753	CABRIO PLUS 467B
953900754	CABRIO PLUS 497L
953900755	CABRIO PLUS 497B
953900756	ELITE 1.610 L
953900757	ELITE 1.610 BT
953900758	ELITE 1.810 BT
953900759	ELITE 2.010 L
953900760	ELITE 2.010 BT
953900761	ELITE 2.210 L
953900762	ELITE 2.210 BT
953900763	ELITE 2.510 L
953900764	ELITE 2.510 B-PRO
953900765	ELITE 2.710 L
953900766	ELITE 2.710 B-PRO
953900767	ELITE 2.210 BP
953900768	ELITE 2.510 BP
953900777	B 347 L
953900778	B 347 B
953900779	B 407 L
953900780	B 407 B
953900781	BA 437 L
953900782	BA 437 BT
953900783	BA 467 L
953900784	BA 477 BT
953900785	BA 497 L
953900786	BA 497 BT
953900787	BA 407 BT
953900788	BMD 4400
953900791	ELITE 2.010 BP
953900792	BA 407 L
953900793	BA 467 BP
953900794	B 347 BX
953900795	B 347 BS
953900797	EUROMAC D347L
953900802	B 407 B SAW BLADE

SB, brush cutters listed above, seals, 2007-11

We inform you that the machines in object have been produced with the crankcase seals assembled in two different configurations (both perfectly functional.)

In order to standardize production, now all the machines adopt the assembly shown in figure 2.

For informations about spare parts please refer to the table below.

FIGURE 1. Seeger in outer position, seal, ball bearing in inner position.	FIGURE 2. Seal in outer position, seeger, ball bearing in inner position.
	
Seal PN 538243174	Seal: PN 538243972

Seal 538243975 can be assembled in both configurations, while seal 538243174 has to be assembled only as shown in figure 1.

All the other parts of the machine are unchanged (please refer to the machines IPLs for details)