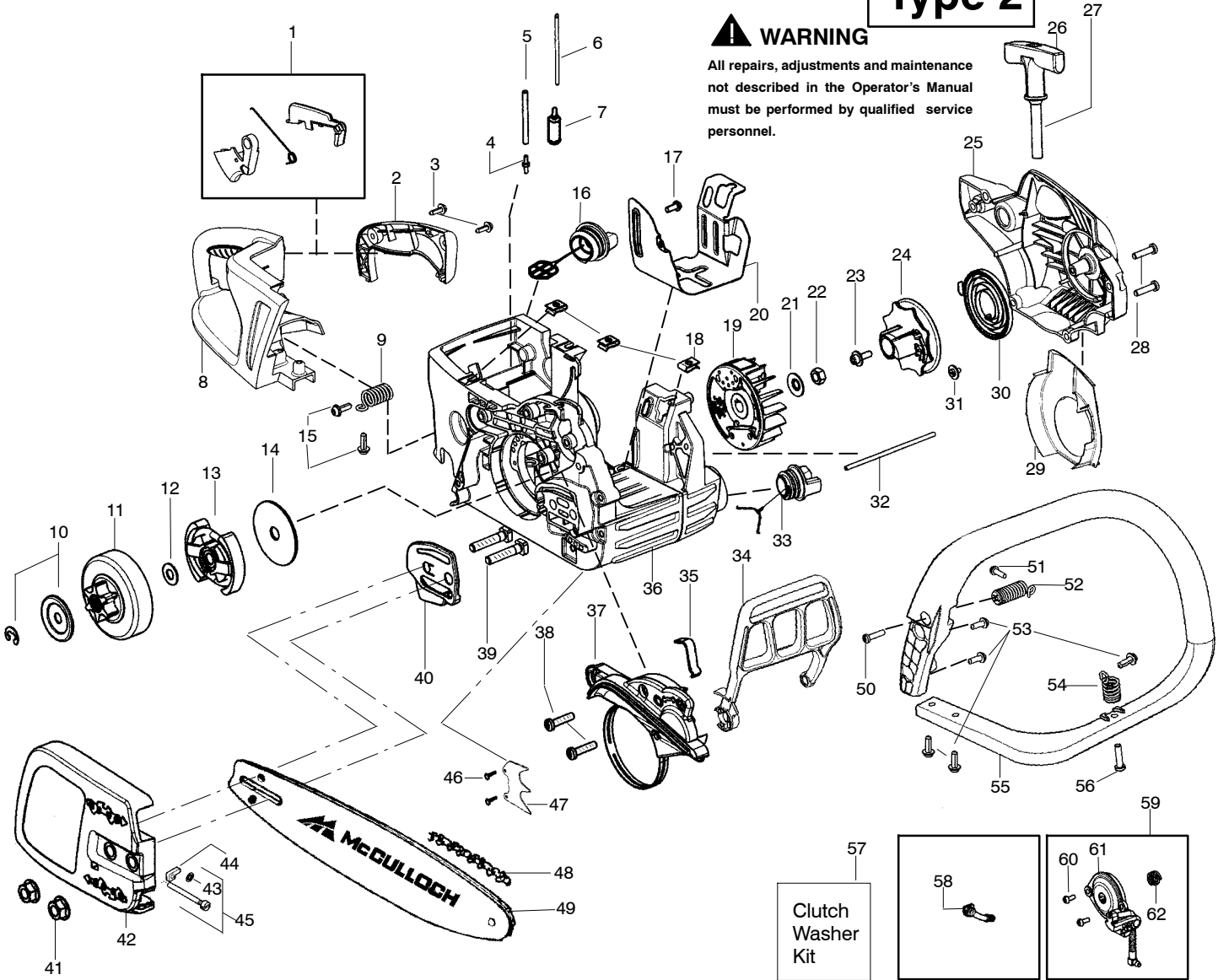


| Ref. | Part No. | Description | Ref. | Part No. | Description | Ref. | Part No. | Description |
|------|-----------|-----------------------|------|-----------|---|------|-----------|----------------------------------|
| 1. | 530071927 | Kit-Trigger/Lockout | 25. | 530021180 | Spring-EPS | 45. | 530038593 | Retainer-Screw |
| 2. | 545011912 | Cover-Handle | 26. | 530071966 | Kit- EPS Starter Pulley (Incl. 23,24,25, 32) | 46. | 530015826 | Pin-Adjustment |
| 3. | 530016433 | Screw | 27. | 545011703 | Housing-Fan | 47. | 530069611 | Kit-Bar Adjustment (incl. 45,46) |
| 4. | 530023877 | Fitting-Fuel line | 28. | 530038491 | Handle-Starter | 48. | 530016439 | Screw |
| 5. | 530069216 | Kit-Fuel Line (Large) | 29. | 530069232 | Kit-Rope | 49. | 530014381 | Kit-Spike (incl. 48) |
| 6. | 530069247 | Kit-Fuel Line (Small) | 30. | 530016432 | Screw | 50. | 538248288 | Chain 16" |
| 7. | 530095646 | Assy-Fuel Pick Up | 31. | 576657801 | Spring-Starter | 51. | 530044915 | Bar 16" |
| 8. | 545012112 | Handle-Rear | 32. | 530016080 | Screw | 52. | 530016432 | Screw |
| 9. | 530059475 | Spring-Rear Isolator | 33. | 530057868 | Baffle | 53. | 530016443 | Screw |
| 10. | 530071945 | Kit-Clutch Washer | 34. | 530058786 | Assy-Oil Vent | 54. | 530059480 | Assy-Rear Iso. Spring |
| 11. | 530057905 | Assy-Clutch Drum 3/8" | 35. | 530057236 | Assy-Oil Cap w/ret. | 55. | 530015906 | Screw |
| 12. | 530071945 | Kit-Clutch Washer | 36. | 530057880 | Handguard | 56. | 530059479 | Assy-Front Iso. Spring |
| 13. | 530057907 | Assy-Clutch | 37. | 530016416 | Spring-Handguard | 57. | 530057878 | Handle-Front |
| 14. | 530016419 | Washer-Large Clutch | 38. | 545011803 | Assy-Chassis (Incl. 4,5,6,7,9,15,16,17,18, 20,34,35,37,41,56,) | 58. | 530016432 | Screw |
| 15. | 530015906 | Screw | 39. | 530071893 | Kit-Chainbrake | 59. | 530071945 | Kit-Clutch Washer (Incl. 10,12) |
| 16. | 530047192 | Assy-Fuel Cap w/ret | 40. | 530016432 | Screw | 60. | 530057924 | Assy-Oil Pick Up |
| 17. | 530016064 | Screw | 41. | 530016133 | Bolt-Bar | 61. | 530071891 | Kit-Oil Pump (Incl. 62,63,64) |
| 18. | 530015922 | Nut-"U" type speed | 42. | 530057910 | Plate-Bar | 62. | 530016064 | Screw |
| 19. | 530039231 | Assy-Flywheel | 43. | 530015917 | Nut-Bar | 63. | 530057931 | Assy-Oil Pump |
| 20. | 530057911 | Shield-Heat | 44. | 545012203 | Assy-Clutch Cover (Incl. 47) | 64. | 530037820 | Gear-Worm |
| 21. | 530015127 | Washer-Flywheel | | | | | | |
| 22. | 530016134 | Nut-Flywheel | | | | | | |
| 23. | 530021179 | Screw-Shoulder | | | | | | |
| 24. | 530059677 | Starter Hub-EPS | | | | | | |

✓ = NEW PART NUMBER FOR THIS IPL

★ = REFER TO THE SERVICE REFERENCE INDICATED FOR MORE INFORMATION. (LOCATED AT END OF IPL)

Type 2

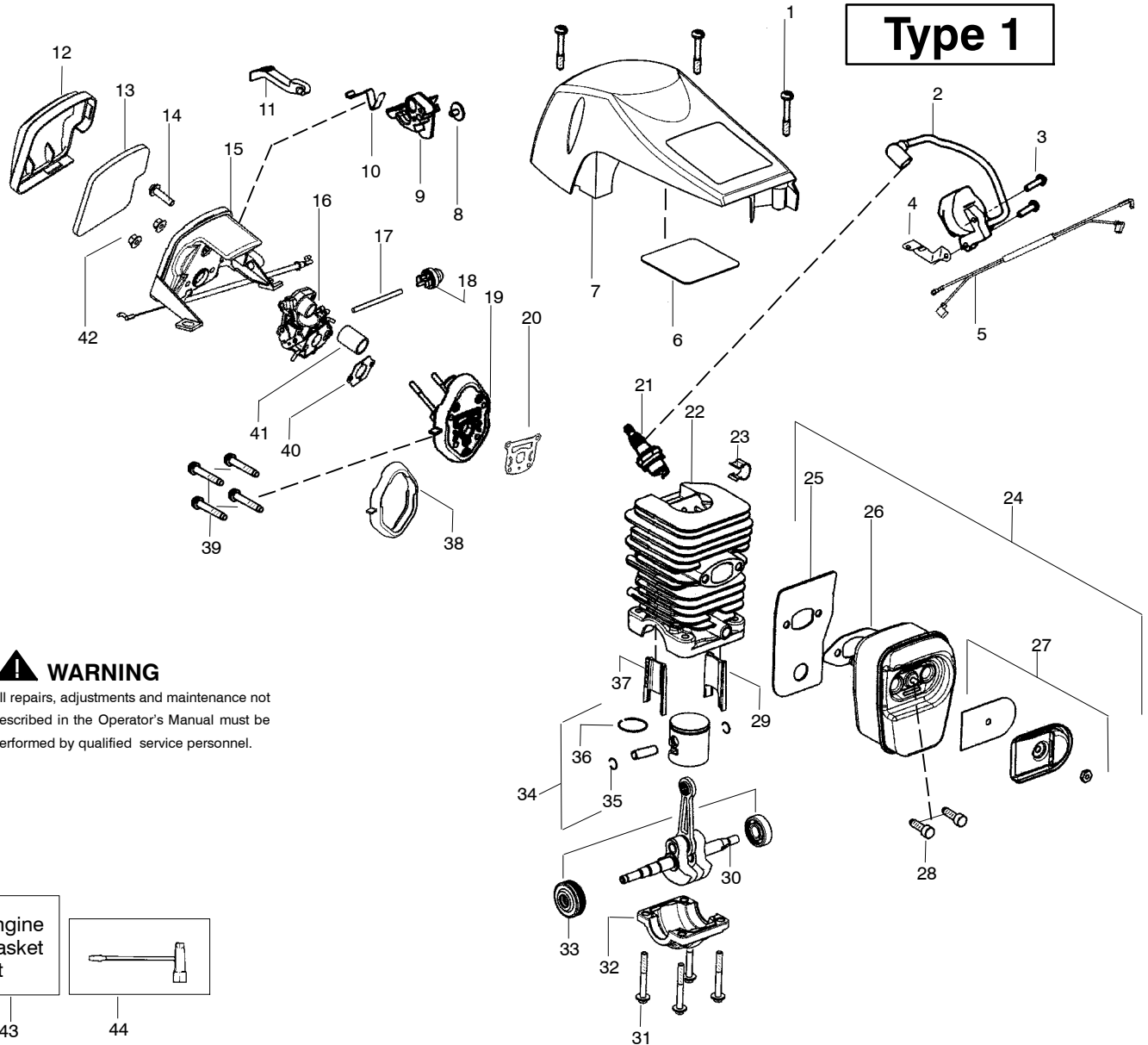


WARNING
All repairs, adjustments and maintenance not described in the Operator's Manual must be performed by qualified service personnel.

Clutch Washer Kit

| Ref. | Part No. | Description | Ref. | Part No. | Description | Ref. | Part No. | Description |
|------|-----------|-----------------------|------|-----------|---|------|-----------|----------------------------------|
| 1. | 530071927 | Kit-Trigger/Lockout | 25. | 545011703 | Housing-Fan | 45. | 530069611 | Kit-Bar Adjustment (incl. 43,44) |
| 2. | 545011912 | Cover-Handle | 26. | 530049797 | Handle-Starter | 46. | 530016439 | Screw |
| 3. | 530016433 | Screw | 27. | 530069232 | Kit-Rope | 47. | 530014381 | Kit-Spike (incl. 46) |
| 4. | 530023877 | Fitting-Fuel line | 28. | 530016432 | Screw | 48. | 530051437 | Chain 14" |
| 5. | 530069216 | Kit-Fuel Line (Large) | 29. | 530057868 | Baffle | 48. | 530051442 | Chain 16" |
| 6. | 530069247 | Kit-Fuel Line (Small) | 30. | 576657801 | Spring-Starter | 49. | 530044691 | Bar 14" |
| 7. | 530095646 | Assy-Fuel Pick Up | 31. | 530016080 | Screw | 49. | 530044692 | Bar 16" |
| 8. | 545012112 | Handle-Rear | 32. | 530058786 | Assy-Oil Vent | 50. | 530016432 | Screw |
| 9. | 530059475 | Spring-Rear Isolator | 33. | 530057236 | Assy-Oil Cap w/ret. | 51. | 530016443 | Screw |
| 10. | 530071945 | Kit-Clutch Washer | 34. | 530057880 | Handguard | 51. | 530059480 | Assy-Rear Iso. Spring |
| 11. | 530057905 | Assy-Clutch Drum 3/8" | 35. | 530016416 | Spring-Handguard | 53. | 530015906 | Screw |
| 12. | 530071945 | Kit-Clutch Washer | 36. | 545011813 | Assy-Chassis (Incl. 4,5,6,7,9,15,16,17,18, 20,32,33,35,39,54,) | 54. | 530059479 | Assy-Front Iso. Spring |
| 13. | 530057907 | Assy-Clutch | 37. | 530071893 | Kit-Chainbrake | 55. | 530057878 | Handle-Front |
| 14. | 530016419 | Washer-Large Clutch | 38. | 530016432 | Screw | 55. | 530016432 | Screw |
| 15. | 530015906 | Screw | 39. | 530016133 | Bolt-Bar | 57. | 530071945 | Kit-Clutch Washer (Incl. 10,12) |
| 16. | 530047192 | Assy-Fuel Cap w/ret | 40. | 530057910 | Plate-Bar | 58. | 530057924 | Assy-Oil Pick Up |
| 17. | 530016064 | Screw | 41. | 530015917 | Nut-Bar | 59. | 530071891 | Kit-Oil Pump (Incl. 60,61,62) |
| 18. | 530015922 | Nut-"U" type speed | 42. | 545012203 | Assy-Clutch Cover (Incl. 45) | 60. | 530016064 | Screw |
| 19. | 545016308 | Assy-Flywheel | 43. | 530038593 | Retainer-Screw | 61. | 530057931 | Assy-Oil Pump |
| 20. | 530057911 | Shield-Heat | 44. | 530015826 | Pin-Adjustment | 62. | 530037820 | Gear-Worm |
| 21. | 530015127 | Washer-Flywheel | | | | | | |
| 22. | 530016134 | Nut-Flywheel | | | | | | |
| 23. | 530015920 | Screw-Shoulder | | | | | | |
| 24. | 530057890 | Pulley | | | | | | |

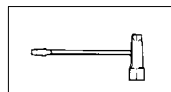
✓ = NEW PART NUMBER FOR THIS IPL ★ = REFER TO THE SERVICE REFERENCE INDICATED FOR MORE INFORMATION. (LOCATED AT END OF IPL)



WARNING

All repairs, adjustments and maintenance not described in the Operator's Manual must be performed by qualified service personnel.

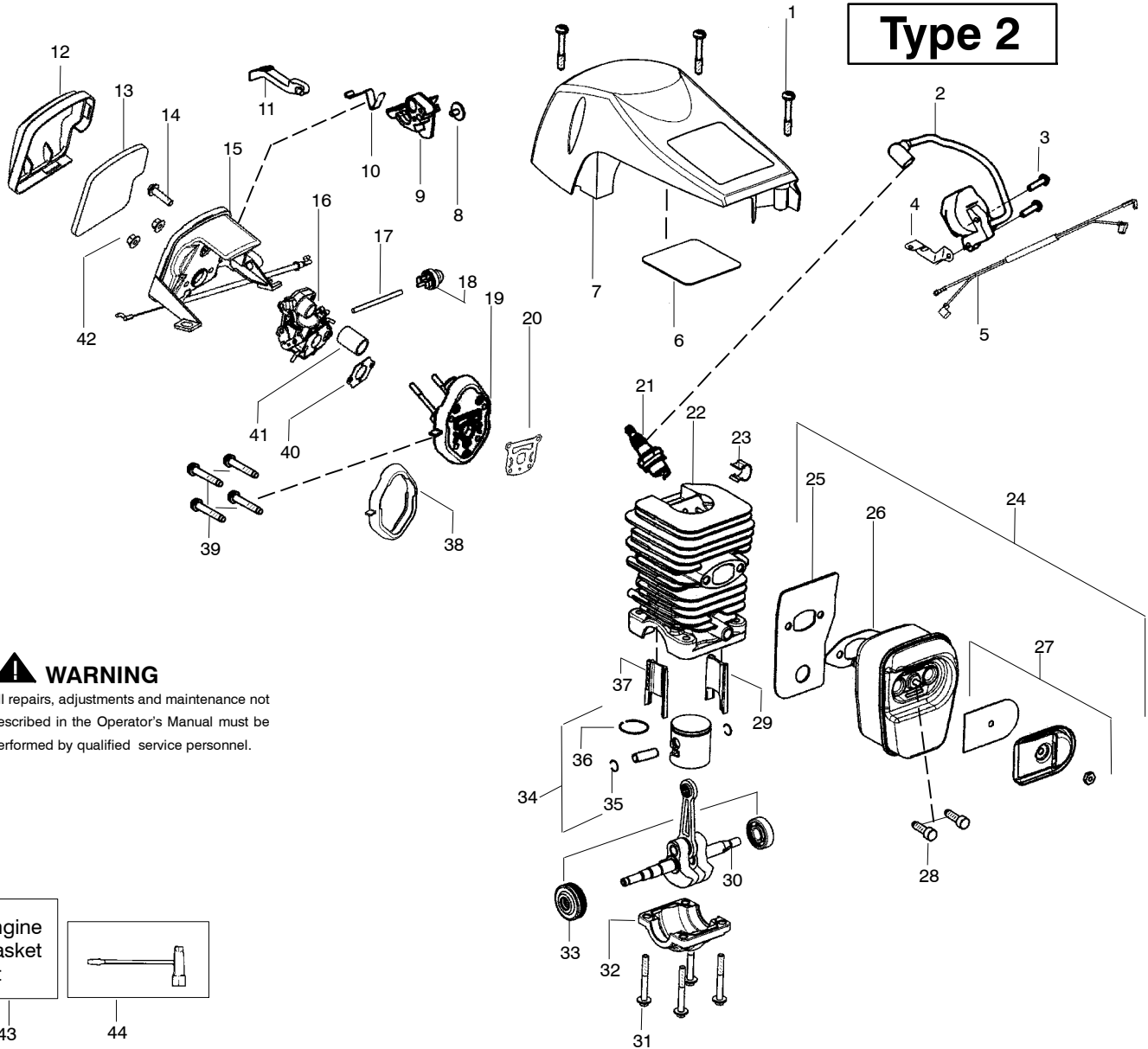
Engine Gasket Kit



43

44

| Ref. | Part No. | Description | Ref. | Part No. | Description | Ref. | Part No. | Description |
|------|-----------|----------------------------|------|-----------|---------------------------------------|-----------|-----------|--------------------------------|
| 1. | 530016153 | Screw | 19. | 530071889 | Kit-Carb. Adaptor (Incl. # 20,38,41) | 36. | 530038729 | Ring-Piston |
| 2. | 530039232 | Module-Ignition | 20. | 530071894 | Gasket-cyl. o-ring (kit) | 37. | 530057886 | Insert-Right (gray)Cyl. |
| 3. | 530016432 | Screw | 21. | 952030150 | Accy-Spark Plug (RCJ-7Y) | 38. | 530071894 | Seal-Adaptor (kit) |
| 4. | 530058661 | Strap-Ground | 22. | 530071884 | Kit-Cylinder (Incl. 29,37) | 39. | 530016426 | Screw |
| 5. | 530057943 | Assy-Wire Harness | 23. | 530058660 | Clip-High Tension Lead | 40. | 530071894 | Gasket-Carb. (kit) |
| 6. | 530055698 | Reflector-Tape | 24. | 545081801 | Kit-Muffler (Incl. 25,26,27,28) | 41. | 530057926 | Tube-Intake |
| 7. | 530057872 | Shield-Cylinder(Incl.1,6) | 25. | 530057942 | Backplate-Muffler | 42. | 530016101 | Nut-Carb. |
| 8. | 530016080 | Screw | 26. | 530071894 | Gasket-Muffler (kit) | 43. | 530071894 | Kit-Gasket (Incl. 20,26,38,40) |
| 9. | 530057891 | Lever-Ignition Switch | 27. | 530081701 | Kit-Spark Arrestor | 44. | 530031135 | Scrench |
| 10. | 530057908 | Spring-Ignition Switch | 28. | 530016338 | Bolt-Muffler | Not Shown | | |
| 11. | 530059399 | Knob-Choke | 29. | 530057885 | Insert-Left (black) Cyl. | ---- | | Manual-Operator (Euro 1) |
| 12. | 530059001 | Cover-Air Filter | 30. | 530012537 | Assy-Crankshaft/Rod Bolt | 115286826 | | (Euro 2) |
| 13. | 530057869 | Filter-Air | 31. | 530016417 | Cap-Crankcase | 115287026 | | (Euro 3) |
| 14. | 530016425 | Screw | 32. | 530057941 | Assy-Bearing/Seal | 545083601 | | Decal-Warning |
| 15. | 545046901 | Housing-Air Filter w/cable | 33. | 530056363 | Kit-Piston (Incl. 35,36) | | | |
| 16. | --- | Carburetor Zama W26 | 34. | 530071883 | Retainer-Piston Pin | | | |
| 17. | 530069247 | Kit-Fuel Line (Small) | 35. | 530015697 | | | | |
| 18. | 530047721 | Bulb-Purge "snap-in" | | | | | | |



WARNING
 All repairs, adjustments and maintenance not described in the Operator's Manual must be performed by qualified service personnel.

| Ref. | Part No. | Description | Ref. | Part No. | Description | Ref. | Part No. | Description |
|------|-----------|----------------------------|------|-----------|--------------------------------------|-------------|-----------|--------------------------------|
| 1. | 530016153 | Screw | 19. | 530071889 | Kit-Carb. Adaptor (Incl. # 20,38,41) | 36. | 530038729 | Ring-Piston |
| 2. | 545115801 | Module-Ignition | 20. | 530071894 | Gasket-cyl. o-ring (kit) | 37. | 545015401 | Insert-Right (gray)Cyl. |
| 3. | 530016432 | Screw | 21. | 952030150 | Accy-Spark Plug (RCJ-7Y) | 38. | 530071894 | Seal-Adaptor (kit) |
| 4. | 530058661 | Strap-Ground | 22. | 530071884 | Kit-Cylinder (Incl. 29,37) | 39. | 530016426 | Screw |
| 5. | 530057943 | Assy-Wire Harness | 23. | 530016136 | Clip-High Tension Lead | 40. | 530071894 | Gasket-Carb. (kit) |
| 6. | 530055698 | Reflector-Tape | 24. | 545081801 | Kit-Muffler (Incl. 25,26,27,28) | 41. | 530057926 | Tube-Intake |
| 7. | 530057872 | Shield-Cylinder(Incl.1,6) | 25. | 530057942 | Backplate-Muffler | 42. | 530016101 | Nut-Carb. |
| 8. | 530016080 | Screw | 26. | 530071894 | Gasket-Muffler (kit) | 43. | 530071894 | Kit-Gasket (Incl. 20,26,38,40) |
| 9. | 530057891 | Lever-Ignition Switch | 27. | 545081701 | Kit-Spark Arrestor | 44. | 530031135 | Scrench |
| 10. | 530057908 | Spring-Ignition Switch | 28. | 530016338 | Bolt-Muffler | Not Shown | | |
| 11. | 530059399 | Knob-Choke | 29. | 545015301 | Insert-Left (black) Cyl. | ----- | | Manual-Operator |
| 12. | 530059001 | Cover-Air Filter | 30. | 530150392 | Assy-Crankshaft/Rod | 115291626 | | (Euro 1) |
| 13. | 530057869 | Filter-Air | 31. | 530016417 | Bolt | 115291726 | | (Euro 2) |
| 14. | 530016425 | Screw | 32. | 530057941 | Cap-Crankcase | 115163026 | | (Euro 3) |
| 15. | 545046901 | Housing-Air Filter w/cable | 33. | 530056363 | Assy-Bearing/Seal | 115291926 | | (Euro 4) |
| 16. | --- | Carburetor | 34. | 530071883 | Kit-Piston (Incl. 35,36) | 115292026 | | (Euro 5) |
| 17. | 545070601 | Zama W26b (Incl. 18) | 35. | 530015697 | Retainer-Piston Pin | ✓ 115439656 | | (Russian) |
| 18. | 530069247 | Kit-Fuel Line (Small) | | | | ✓ 577923701 | | Decal-Warning |
| 18. | 530047721 | Bulb-Purge "snap-in" | | | | | | |

✓ = NEW PART NUMBER FOR THIS IPL ★ = REFER TO THE SERVICE REFERENCE INDICATED FOR MORE INFORMATION. (LOCATED AT END OF IPL)