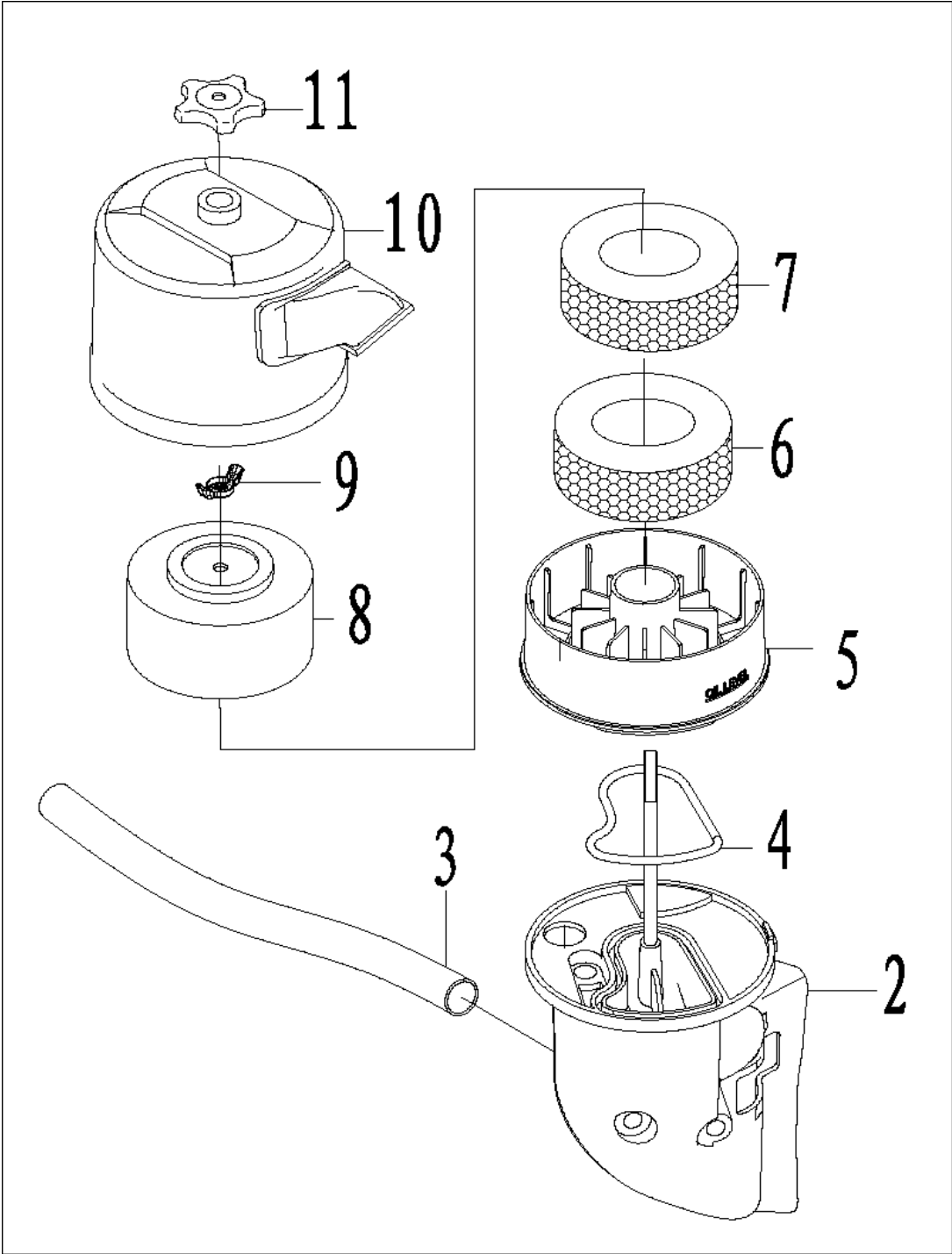




SPARE PARTS LIST

CULTIVATORS/TILLERS

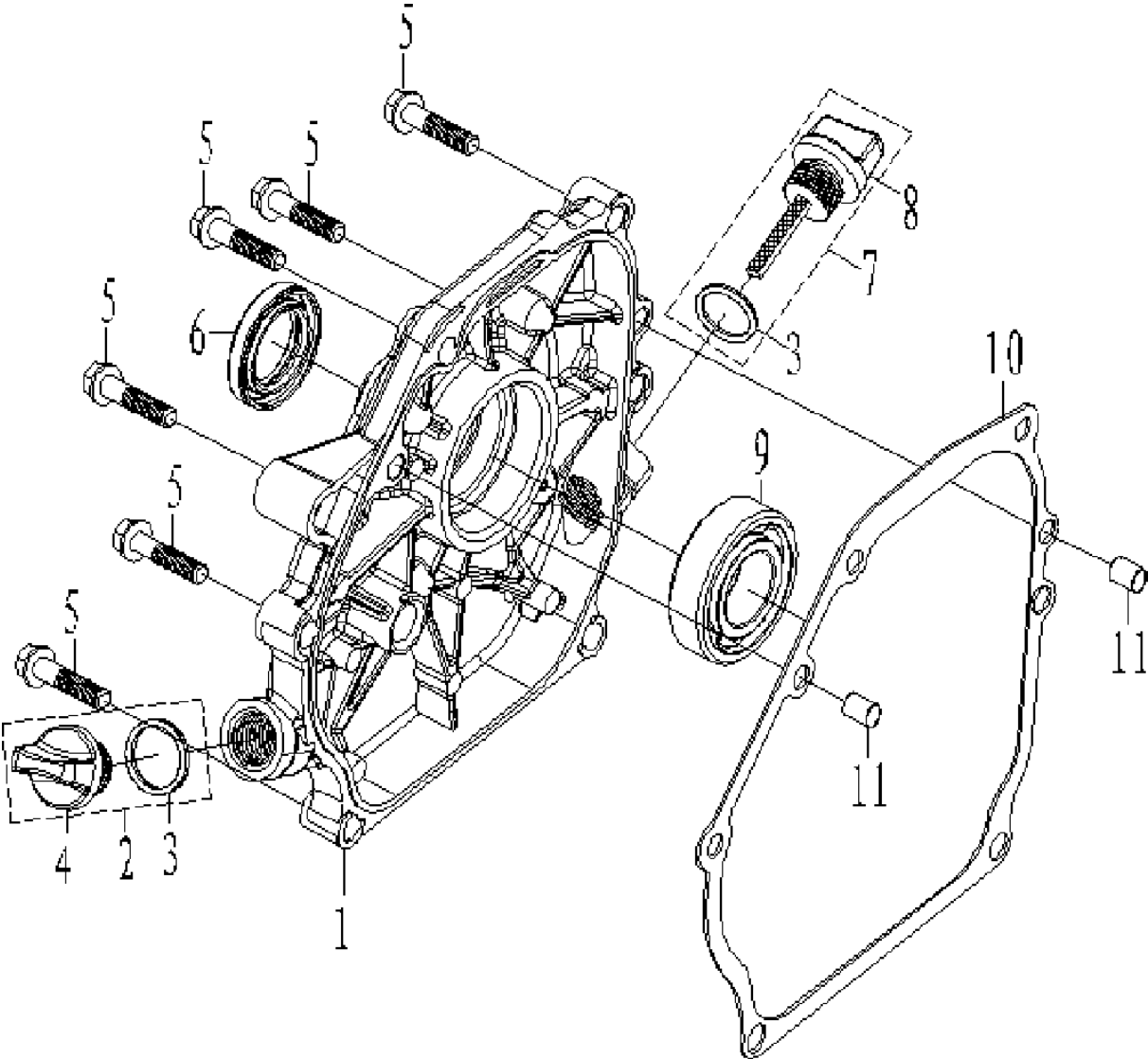
MFT55 200R, 967097301, 2017-01



AIR FILTER

MFT55 200R, 967097301, 2017-01

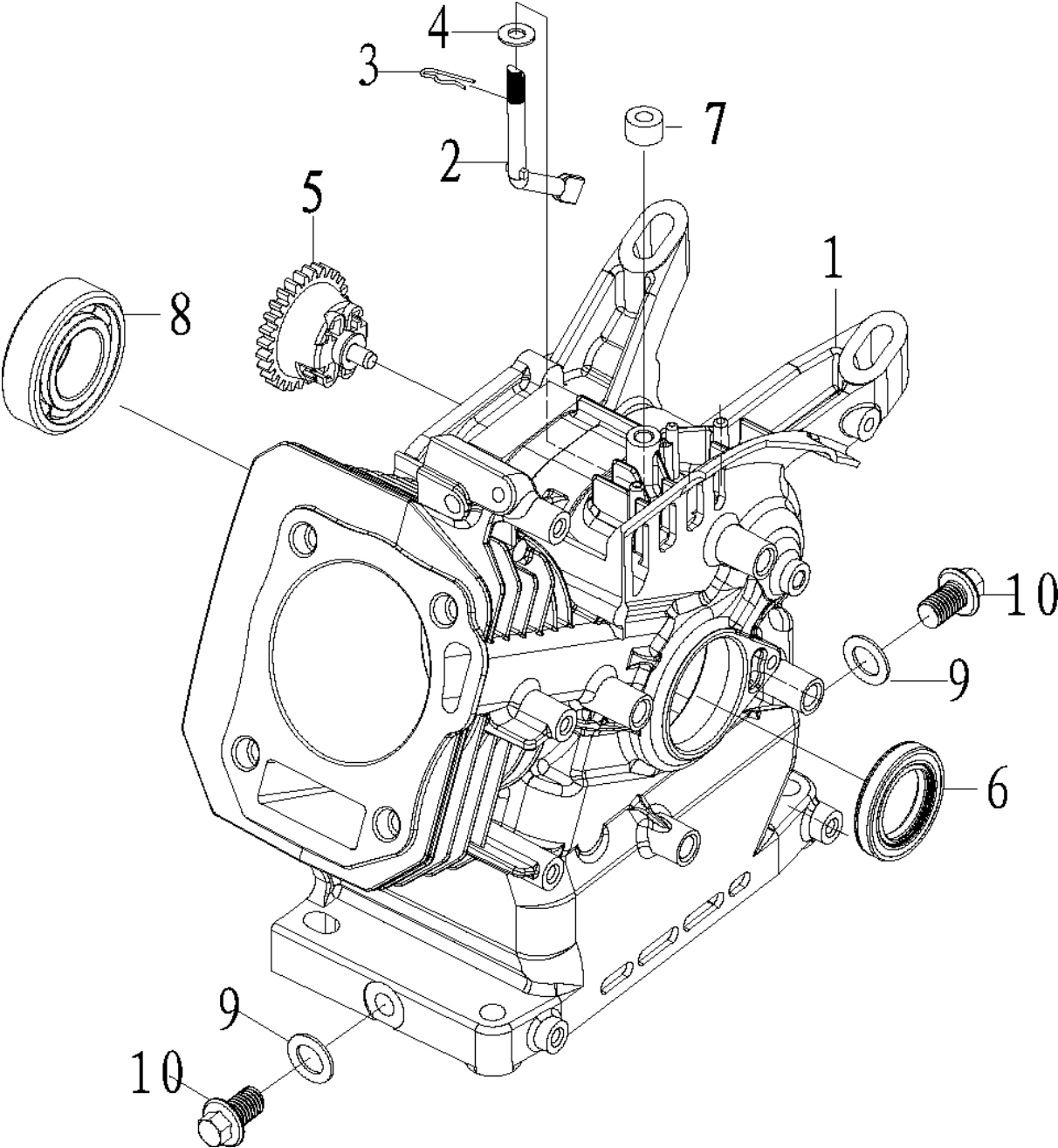
| Ref | Part No | Description | Remark | QTY KIT |
|-----|--------------|-------------|--------------------------------|---------|
| 1 | 588 00 67-01 | AIR CLEANER | AIR CLEANER ASSY | 1 |
| 2 | 589 91 84-01 | CASE | AIR CLEANER CASE | 1 |
| 3 | 589 91 86-01 | PIPE | WASTE GAS PIPE | 1 |
| 4 | 589 91 87-01 | GASKET | PACKING | 1 |
| 5 | 589 91 89-01 | COVER | BELOW COVER,AIR CLEANER | 1 |
| 6 | 501 16 01-01 | FILTER | SPENGE ELEMENT, AIR CLEANER | 1 |
| 7 | 501 16 13-01 | FILTER | SPENGE ELEMENT, AIR CLEANER | 1 |
| 8 | 589 91 90-01 | COVER | COVER,SEAL | 1 |
| 9 | 589 91 91-01 | WING NUT | BUTTERFLY NUT | 1 |
| 10 | 589 91 92-01 | COVER | COVER,AIR CLEANER | 1 |
| 11 | 589 91 93-01 | NUT | HANDWHEEL | 1 |



CRANKCASE

MFT55 200R, 967097301, 2017-01

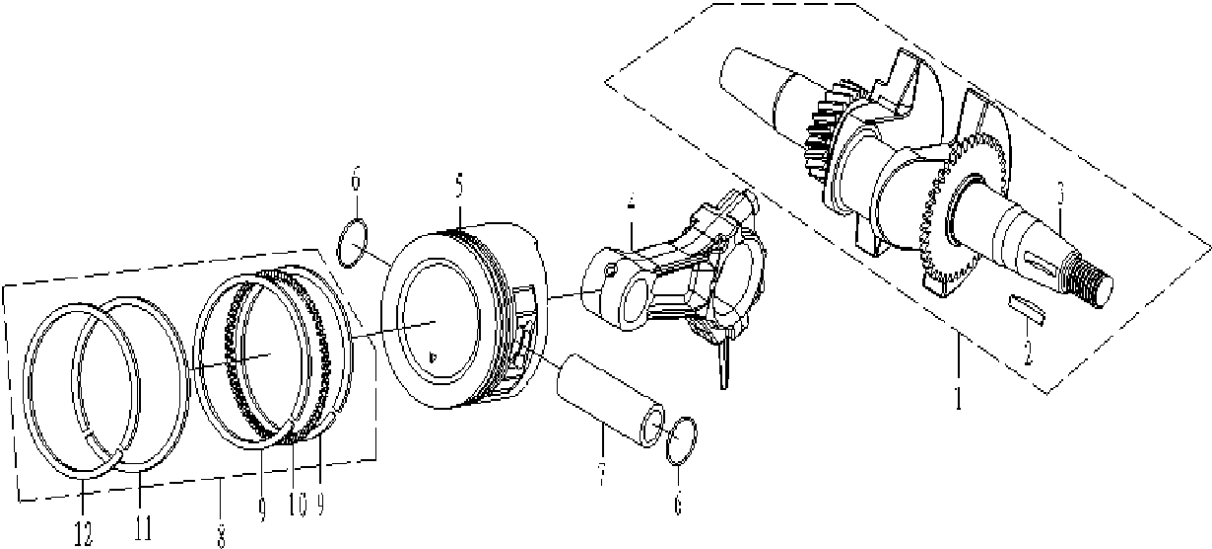
| Ref | Part No | Description | Remark | QTY KIT |
|-----|--------------|-------------|------------------------|---------|
| 1 | 588 00 20-01 | COVER | COVER, CRANKCASE | 1 |
| 2 | 588 00 21-01 | PLUG | OIL FILLER PLUG ASSY | 1 |
| 3 | 588 00 22-01 | SEALING | DIPSTICK SEALING RING | 1 |
| 4 | 588 00 23-01 | PLUG | OIL FILLER PLUG | 2 |
| 5 | 589 91 16-01 | BOLT | BOLT M8_32 | 6 |
| 6 | 588 00 11-01 | KEEPER | OIL SEAL | 1 |
| 7 | 588 00 24-01 | DIPSTICK | DIPSTICK ASSY | 1 |
| 8 | 588 00 26-01 | DIPSTICK | DIPSTICK | 1 |
| 9 | 587 94 21-01 | BEARING | BEARING GB/T276/6205 | 1 |
| 10 | 588 00 27-01 | GASKET | GASKET, CASE COVER | 1 |
| 11 | 588 00 28-01 | PIN | PIN, DOWEL, diam. 8_14 | 2 |



CRANKCASE

MFT55 200R, 967097301, 2017-01

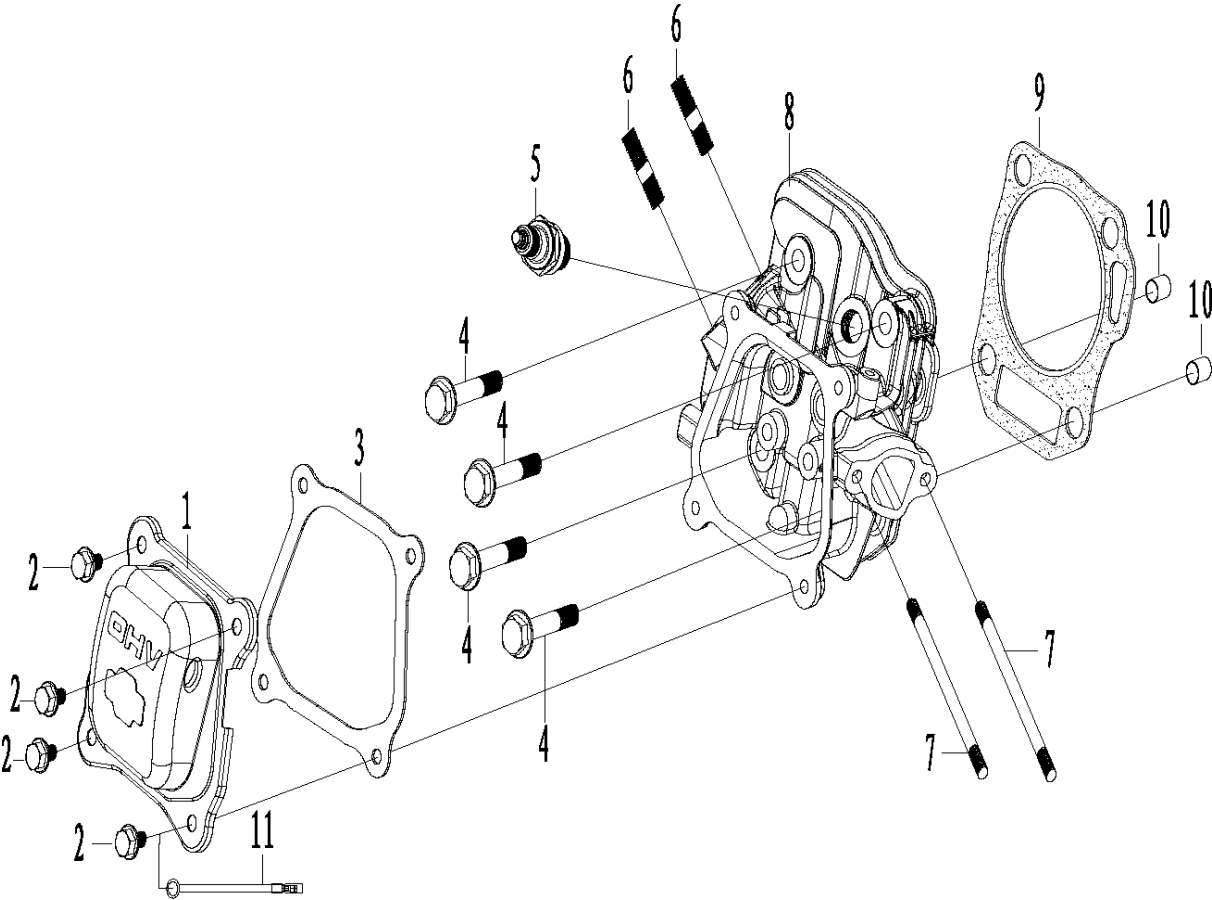
| Ref | Part No | Description | Remark | QTY KIT |
|-----|--------------|----------------|---------------------------------------|---------|
| 1 | 589 90 95-01 | CRANKCASE ASSY | CRANKCASE COMP | 1 |
| 2 | 588 00 10-01 | ARM | GOVERNOR ARM SHAFT | 1 |
| 3 | 588 00 11-01 | KEEPER | LOCKER,GOVERNOR ARM SHAFT | 1 |
| 4 | 589 90 96-01 | WASHER | PLAIN WASHER diam. 6_diam. 13_1 | 1 |
| 5 | 589 91 13-01 | GOVERNOR KIT | GOVERNOR KIT | 1 |
| 6 | 588 00 18-01 | SEAL | OIL SEAL diam. 25_diam. 41.25_6 | 1 |
| 7 | 588 00 13-01 | GOVERNOR | OIL SEAL diam. 6*diam. 11*4 | 1 |
| 8 | 587 94 21-01 | BEARING | BEARING 6205 | 1 |
| 9 | 589 91 14-01 | WASHER | PLAIN WASHER diam. 10_diam. 16_1.5 | 2 |
| 10 | 589 91 15-01 | BOLT | BOLT DRAIN PLUG M10_15 | 2 |



CRANKSHAFT

MFT55 200R, 967097301, 2017-01

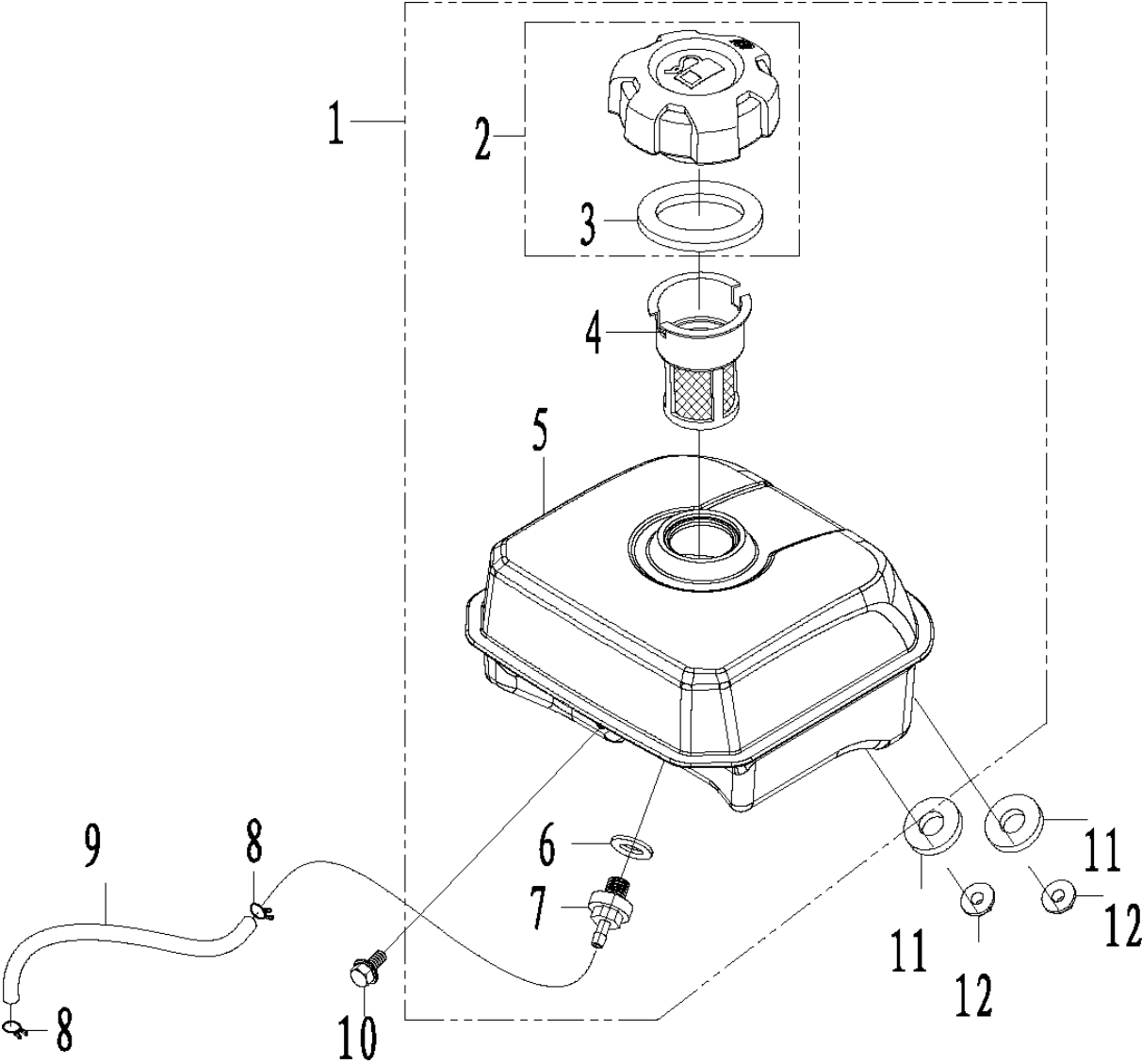
| Ref | Part No | Description | Remark | QTY KIT |
|-----|--------------|---------------------|----------------------|---------|
| 1 | 588 00 29-01 | CRANKSHAFT ASSY | CRANK SHAFT ASSY | 1 |
| 2 | 588 00 30-01 | WOODRUFF KEY | SPECIAL WOODRUFF KEY | 1 |
| 3 | 589 91 17-01 | CRANKSHAFT | CRANK SHAFT | 1 |
| 4 | 589 91 18-01 | CONNECTING ROD ASSY | CONNECTING ROD ASSY | 1 |
| 5 | 589 91 21-01 | PISTON | PISTON | 1 |
| 6 | 588 00 34-01 | CLIP | CLIP, PISTON PIN | 2 |
| 7 | 588 00 35-01 | PISTON PIN | PIN, PISTON | 1 |
| 8 | 588 00 36-01 | PISTON RING | PISTON RING ASSY | 1 |
| 9 | 588 00 37-01 | FILM | FILM LOOP | 1 |
| 10 | 588 00 38-01 | BUSH | BUSH RING | 1 |
| 11 | 588 00 39-01 | RING | GAS RING TWO | 1 |
| 12 | 588 00 40-01 | RING | GAS RING ONE | 1 |



CYLINDER

MFT55 200R, 967097301, 2017-01

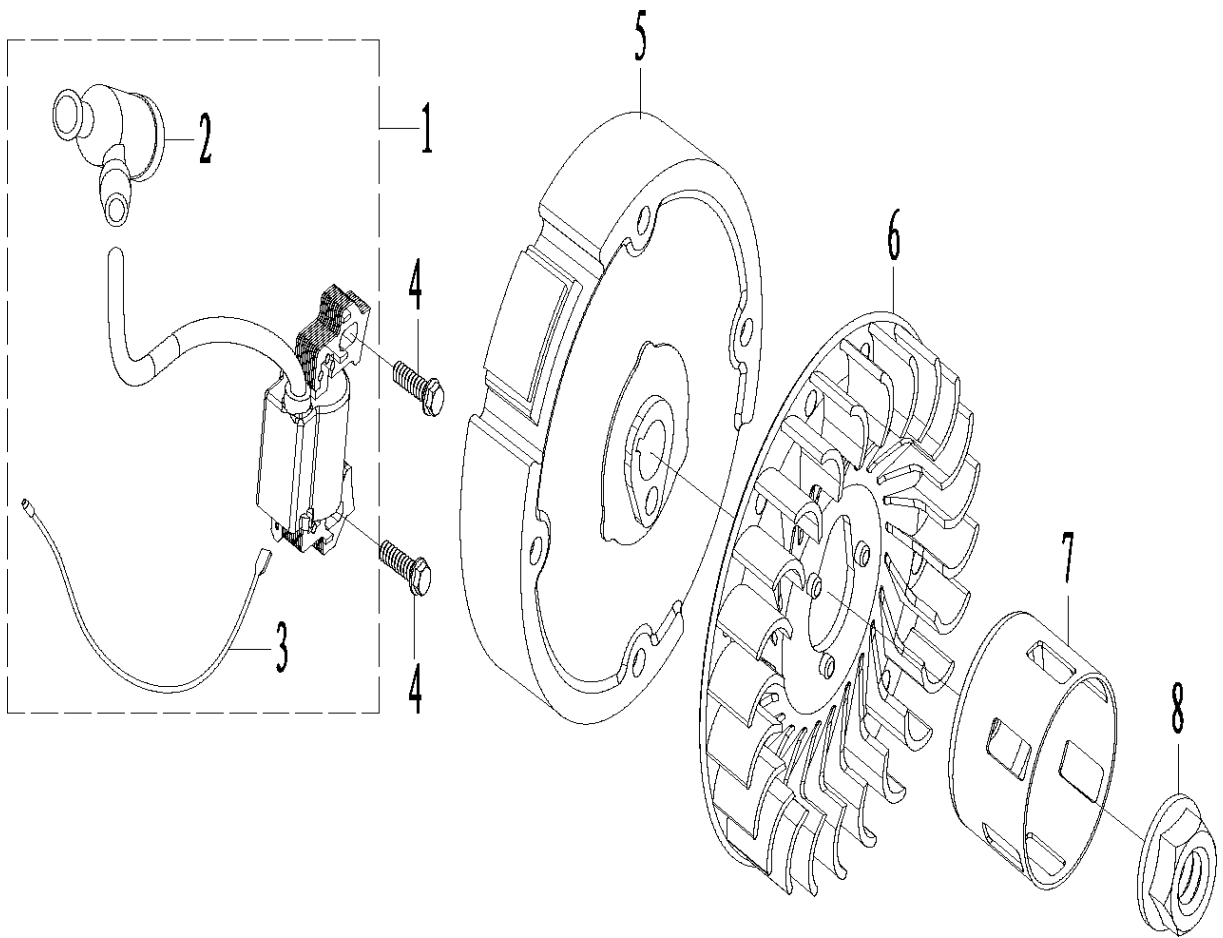
| Ref | Part No | Description | Remark | QTY KIT |
|-----|--------------|---------------|-------------------------|---------|
| 1 | 587 99 93-01 | COVER | HEAD COVER | 1 |
| 2 | 589 90 91-01 | BOLT | BOLT GB/T5789 M6_16 | 1 |
| 3 | 587 99 95-01 | GASKET | GASKET HEAD COVER | 1 |
| 4 | 589 90 92-01 | BOLT | BOLT GB/T5789 M8_60 | 1 |
| 5 | 587 99 97-01 | SPARK PLUG | PLUG SPARK F7RTC | 1 |
| 6 | 587 99 98-01 | BOLT | BOLT STUD, M8_35 | 1 |
| 7 | 587 99 99-01 | BOLT | BOLT STUD M6_113 | 1 |
| 8 | 589 90 93-01 | CYLINDER HEAD | CYLINDER HEAD ASSY | 1 |
| 9 | 589 90 94-01 | GASKET | GASKET CYLINDER HEAD | 1 |
| 10 | 588 00 07-01 | PIN | PIN DOWEL Diam. 10_16 | 1 |
| 11 | 588 47 60-01 | CONNECTION | FLAMEOUT LINE SPLICE | 1 |



FUEL TANK

MFT55 200R, 967097301, 2017-01

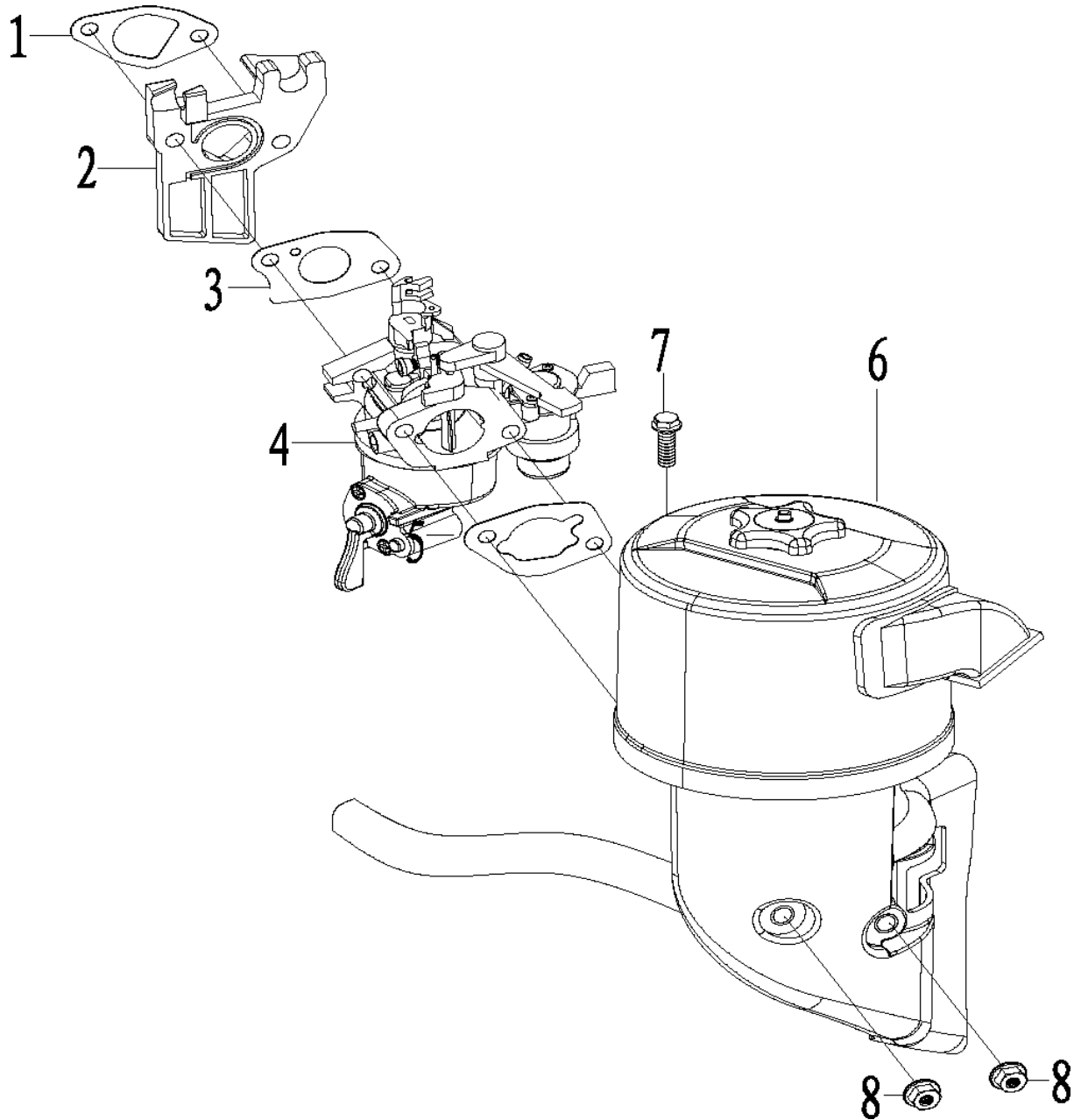
| Ref | Part No | Description | Remark | QTY KIT |
|-----|--------------|----------------|----------------------|---------|
| 1 | 589 93 12-01 | FUEL TANK ASSY | TANK FUEL COMP. | 1 |
| 2 | 589 93 13-01 | FUEL CAP ASSY | CAP COMP,FUEL FILLER | 1 |
| 3 | 589 93 16-01 | GASKET | PACKING,FUEL FILLER | 1 |
| 4 | 589 93 17-01 | FILTER | FILTER FUEL | 1 |
| 5 | 589 93 18-01 | FUEL TANK | FUEL TANK | 1 |
| 6 | 589 93 19-01 | GASKET | PACKING | 1 |
| 7 | 589 93 20-01 | JOINT | JOINT,FUEL TANK | 1 |
| 8 | 588 17 81-01 | CLIP | CLIP,TUBE | 2 |
| 9 | 589 93 21-01 | FUEL HOSE | TUBE,FUEL | 1 |
| 10 | 589 93 22-01 | BOLT | BOLT M6_30 | 1 |
| 11 | 589 93 23-01 | WASHER | WASHER, | 2 |
| 12 | 588 00 77-01 | BOLT | NUT M6 | 2 |



IGNITION SYSTEM

MFT55 200R, 967097301, 2017-01

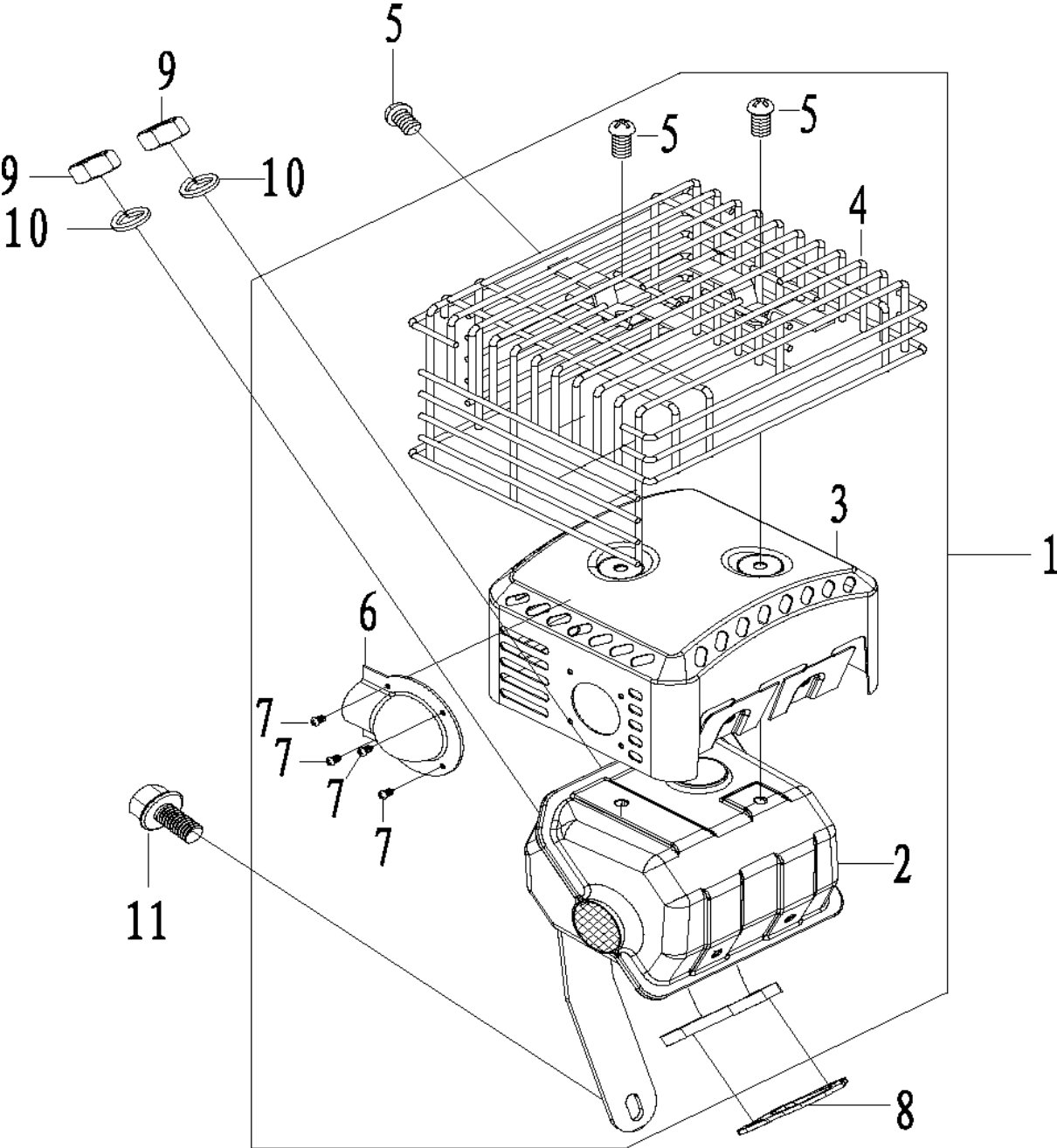
| Ref | Part No | Description | Remark | QTY KIT |
|-----|--------------|--------------|------------------|---------|
| 1 | 589 92 57-01 | IGNITION KIT | IGNITION | 1 |
| 2 | 589 92 59-01 | CAP | CAP, IGNITION | 1 |
| 3 | 589 92 60-01 | CORD | CORD,STOP SWITCH | 1 |
| 4 | 589 91 83-01 | BOLT | BOLT M6_22 | 1 |
| 5 | 588 00 83-01 | FLYWHEEL | FLYWHEEL | 1 |
| 6 | 588 00 84-01 | FAN | FAN, COOLING | 1 |
| 7 | 588 00 85-01 | PULLEY | PULLEY, STARTER | 1 |
| 8 | 589 92 63-01 | NUT | NUT M14_1.5 | 2 |



INTAKE SYSTEM

MFT55 200R, 967097301, 2017-01

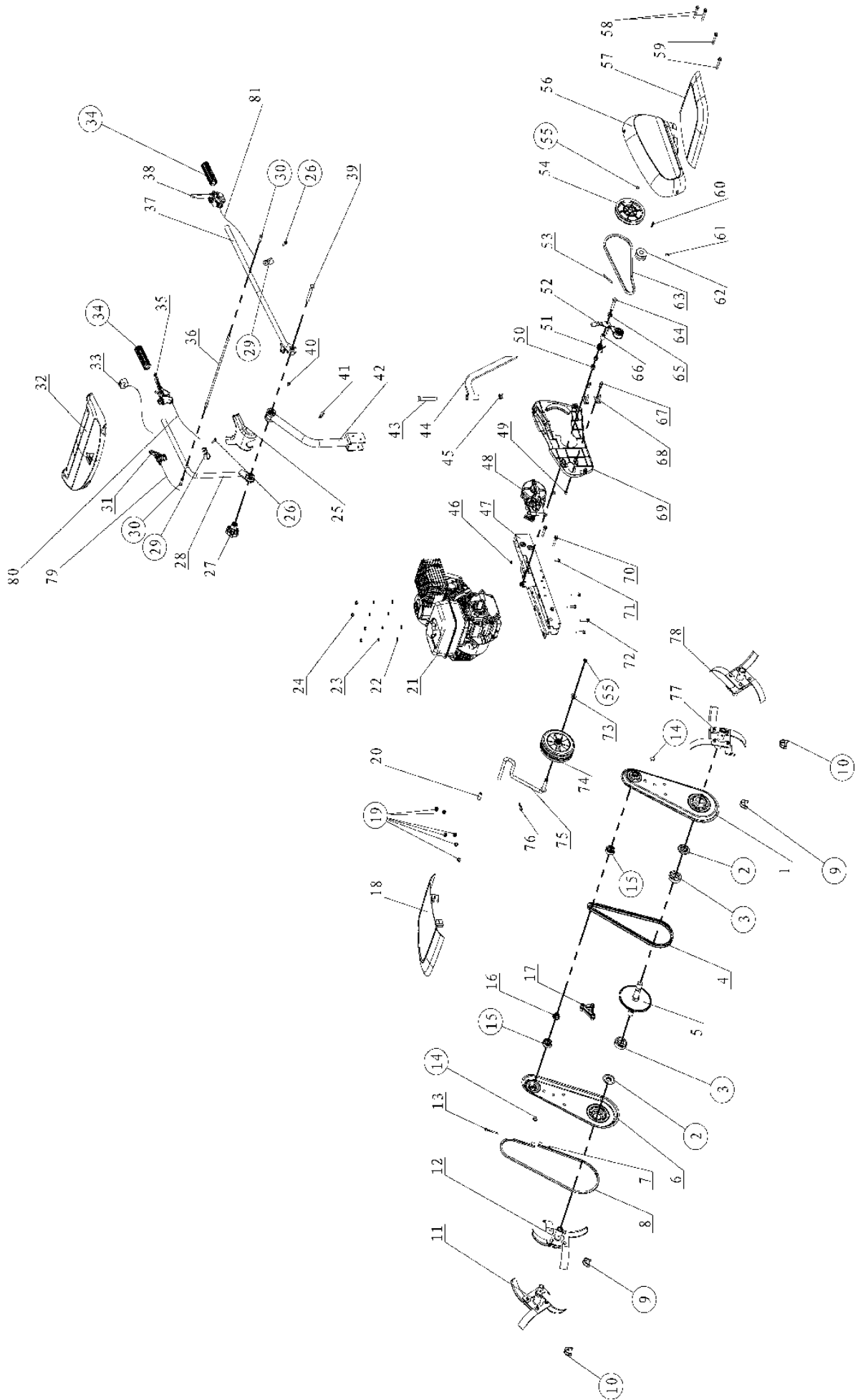
| Ref | Part No | Description | Remark | QTY KIT |
|-----|--------------|-------------|---------------------|---------|
| 1 | 588 00 63-01 | WASHER | AIR INTAKE WASHER | 1 |
| 2 | 588 00 64-01 | INSULATOR | INSULATOR | 1 |
| 3 | 588 01 68-01 | GASKET | PACKING, CARBURETOR | 1 |
| 4 | 588 00 65-01 | CARBURETTOR | CARBURETOR | 1 |
| 5 | 589 91 82-01 | GASKET | GASKET, AIR CLEANER | 1 |
| 6 | 588 00 67-01 | AIR CLEANER | AIR CLEANER ASSY | 1 |
| 7 | 589 91 83-01 | BOLT | BOLT/M6_22 | 1 |
| 8 | 588 00 77-01 | BOLT | NUT GB/T6177/M6 | 2 |



MUFFLER

MFT55 200R, 967097301, 2017-01

| Ref | Part No | Description | Remark | QTY KIT |
|-----|--------------|----------------|--------------------|---------|
| 1 | 588 00 87-01 | MUFFLER | MUFFLER COMP | 1 |
| 2 | 589 93 01-01 | BODY | MUFFLER BODY | 1 |
| 3 | 589 93 02-01 | MUFFLER COVER | MUFFLER SHIEKD | 1 |
| 4 | 589 93 03-01 | HEAT PROTECTOR | ANTI SCALD NET | 1 |
| 5 | 589 93 05-01 | BOLT | BOLT | 5 |
| 6 | 589 93 08-01 | RING | FAIRING | 1 |
| 7 | 588 00 89-01 | SCREW | SCREW ST4.2_5 | 4 |
| 8 | 588 00 90-01 | WASHER | AIR EXHAUST WASHER | 1 |
| 9 | 589 93 09-01 | NUT | NUT M8 | 2 |
| 10 | 589 93 10-01 | SPRING WASHER | SPRING WASHER 8 | 2 |
| 11 | 589 92 56-01 | BOLT | BOLT M6_12 | 1 |



PRODUCT COMPLETE

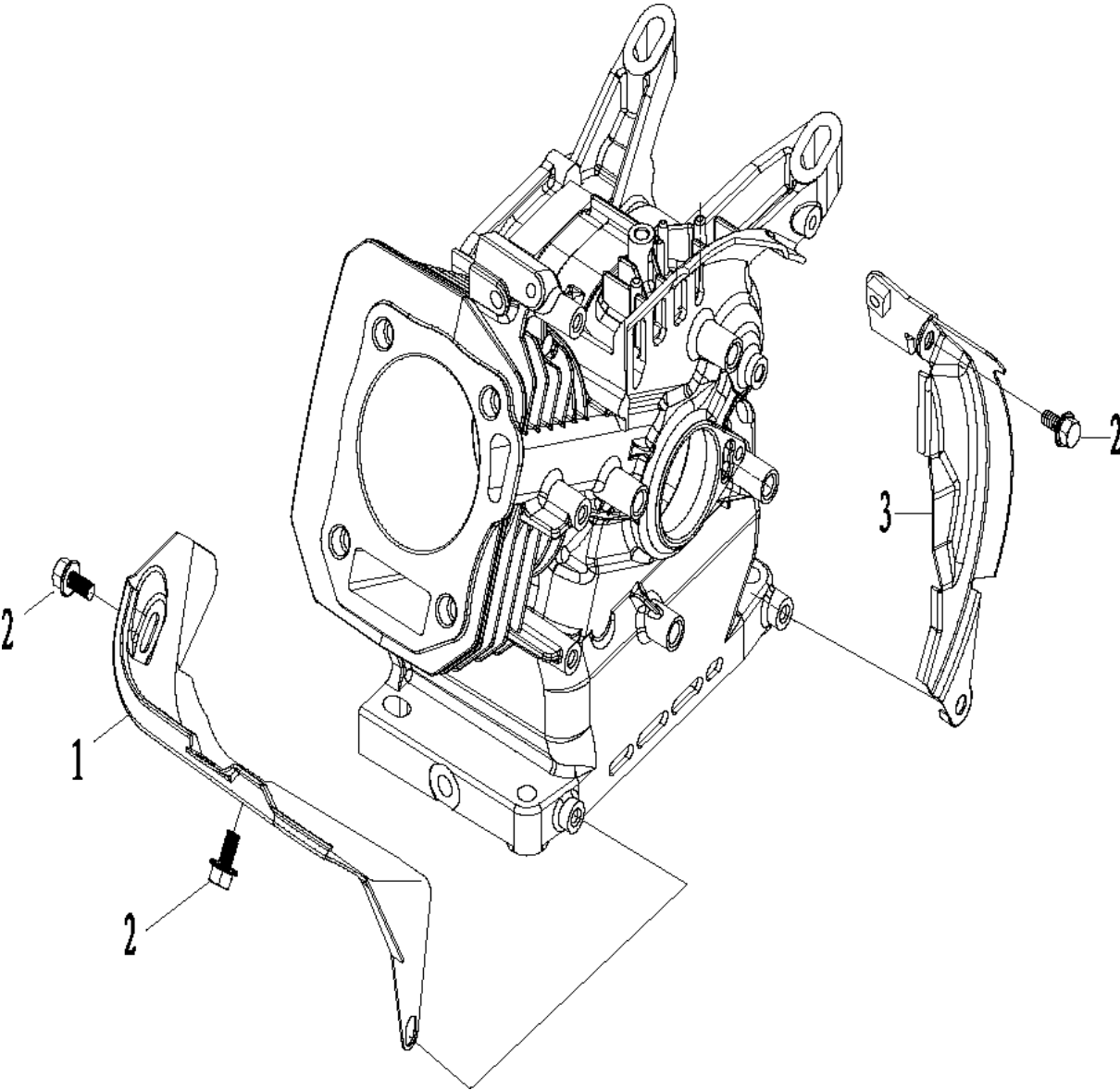
MFT55 200R, 967097301, 2017-01

| Ref | Part No | Description | Remark | QTY KIT |
|-----|--------------|---------------------|--------------------------------------------|---------|
| 1 | 589 93 35-01 | GEARBOX | gearbox(L) | 1 |
| 2 | 589 93 36-01 | SEAL | oil seal for output shaft | 2 |
| 3 | 589 93 38-01 | BALL BEARING | deep groove ball bearing 6305 | 2 |
| 4 | 589 93 40-01 | CHAIN | chain08B-80 | 1 |
| 5 | 589 93 42-01 | SHAFT ASSY | output shaft assembly | 1 |
| 6 | 589 93 43-01 | GEARBOX | gearbox(R) | 1 |
| 7 | 589 93 44-01 | HEXAGON LOCKING NUT | hexgon locking nut M6(non-metallic) | 3 |
| 8 | 589 93 45-01 | RING | Ring | 1 |
| 9 | 589 93 46-01 | TORSION SPRING | torsinoal spring pin diam. 10 | 2 |
| 10 | 589 93 47-01 | TORSION SPRING | torsinoal spring pin diam. 8 | 2 |
| 11 | 590 03 63-01 | TINE | tine assembly No.1(R) | 2 |
| 12 | 590 03 64-01 | TINE | tine assembly,main(R) | 2 |
| 13 | 589 93 83-01 | SCREW | Hexagon socket head cap screws M6_55 | 1 |
| 14 | 589 93 86-01 | OIL PLUG | oil filler plug | 2 |
| 15 | 589 93 90-01 | BALL BEARING | deep groove ball bearing 6305-2Z | 2 |
| 16 | 589 93 94-01 | SPROCKET | driving sprocket | 1 |
| 17 | 589 93 97-01 | SUPPORT | supporting shoe for chain | 1 |
| 18 | 589 94 01-01 | SHIELD | COVER | 1 |
| 19 | 589 94 02-01 | HEXAGON LOCKING NUT | hexgon locking nut M8(non-metallic) | 8 |
| 20 | 589 94 10-01 | SPACER | spacer bush 9x14x35 | 1 |
| 21 | 590 24 01-01 | ENGINE | WM168FB-2/P gasoline engine | 1 |
| 22 | 589 94 16-01 | WASHER | flat washer No.8 | 4 |
| 23 | 589 94 24-01 | SPRING WASHER | spring washer No.8 | 4 |
| 24 | 589 94 26-01 | HEXAGON NUT | hexagon nut M8 | 4 |
| 25 | 589 94 29-01 | COVER | Tidy cover | 1 |
| 26 | 589 94 32-01 | BOLT | Hexagon flange bolts M6x25 | 2 |
| 27 | 589 94 34-01 | KNOB | Locking knob for handle set | 1 |
| 28 | 589 94 68-01 | CONNECTION ROD | connecting pipe(R) for handle set | 1 |
| 29 | 589 94 71-01 | PLUG | Plug | 2 |
| 30 | 589 94 72-01 | SCREW | Hexagon socket button head screws M8x30 | 2 |
| 31 | 589 94 74-01 | THROTTLE CONTROL | THROTTLE CONTROL | 1 |
| 32 | 589 94 75-01 | COVER | upper cover | 1 |
| 33 | 589 94 76-01 | SWITCH | shut down switch diam. 22 | 1 |
| 34 | 589 94 77-01 | GRIP | grip diam. 22 | 2 |
| 35 | 589 94 78-01 | HANDLE | reverse clutch handle | 1 |
| 36 | 589 94 79-01 | BAR | horizon bar for handle set | 1 |
| 37 | 589 94 80-01 | CONNECTING ROD | connecting pipe(L) for handle set | 1 |
| 38 | 589 94 81-01 | HANDLE | clutch handle | 1 |
| 39 | 589 94 82-01 | BOLT | hexagon bolt M12x90 | 1 |
| 40 | 589 94 84-01 | BOLT | Hexagon flange bolts M6x12 | 1 |
| 41 | 589 94 85-01 | HOLDER | wire holder | 1 |
| 42 | 589 94 86-01 | ROD | ROD | 1 |
| 43 | 589 94 91-01 | BOLT | hexagon bolt M14x90 | 1 |
| 44 | 589 94 92-01 | ROD | resistance rod | 1 |
| 45 | 589 94 94-01 | HEXAGON LOCKING NUT | hexgon locking nut M14(non-metallic) | 1 |
| 46 | 589 94 96-01 | HEXAGON NUT FLANGE | Hexagon flange nuts M6 | 1 |
| 47 | 589 94 98-01 | SUPPORT | engine support | 1 |
| 48 | 589 95 00-01 | GEARBOX ASSY | reversing gearbox assy | 1 |
| 49 | 589 95 02-01 | SPACER | spacer bush 9x13x9 | 2 |
| 50 | 589 95 03-01 | HEXAGON LOCKING NUT | hexgon locking nut M12(non-metallic) | 2 |
| 51 | 589 95 04-01 | SPRING | tensioning wheel spring | 1 |
| 52 | 589 95 05-01 | TENSIONER | tensioning wheel assembly | 1 |

PRODUCT COMPLETE

MFT55 200R, 967097301, 2017-01

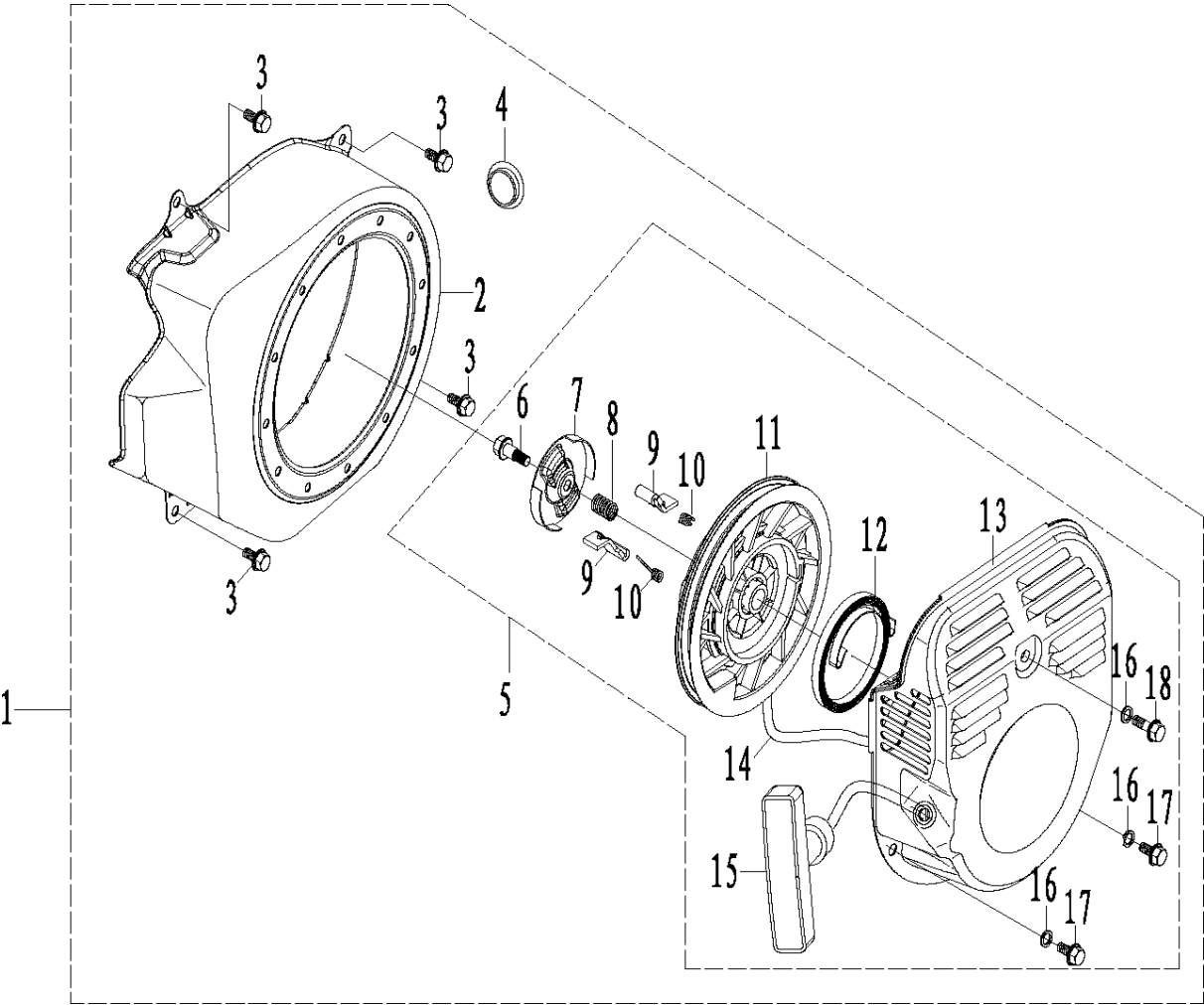
| Ref | Part No | Description | Remark | QTY KIT |
|-----|--------------|----------------|---------------------------------------------------|---------|
| 53 | 589 95 06-01 | PIN | round pin 6x60 | 1 |
| 54 | 589 95 07-01 | PULLEY | driven pulley | 1 |
| 55 | 589 95 08-01 | SNAP RING | snap ring No.14 | 2 |
| 56 | 589 95 09-01 | BELT COVER | belt cover | 1 |
| 57 | 589 95 10-01 | COVER | COVER | 1 |
| 58 | 589 95 11-01 | BOLT | Hexagon flange bolts M8x60 | 2 |
| 59 | 590 24 06-01 | BOLT | Hexagon flange bolts M8x65 | 2 |
| 60 | 589 96 54-01 | KEY | flat key 5x5x30 | 1 |
| 61 | 589 96 57-01 | SCREW | hexagon socket set screw with cone point M8x16 | 1 |
| 62 | 589 96 60-01 | PULLEY | driving pulley | 1 |
| 63 | 589 96 64-01 | BELT | belt 13x895LW | 1 |
| 64 | 589 96 72-01 | BOLT | bolt M12x60 | 1 |
| 65 | 589 96 76-01 | WASHER | flat washer 12 | 1 |
| 66 | 589 96 80-01 | SPACER | spacer busher 12.5x20x24 | 1 |
| 67 | 589 96 86-01 | BOLT | Hexagon flange bolts M8x20 | 2 |
| 68 | 589 96 91-01 | BELT GUIDE | BELT GUIDE | 2 |
| 69 | 589 96 94-01 | PLATE | belt cover baseplate | 1 |
| 70 | 590 01 90-01 | BOLT | Hexagon flange bolts M8x55 | 2 |
| 71 | 590 01 91-01 | BOLT | Hexagon flange bolts M6x20 | 1 |
| 72 | 590 01 95-01 | BOLT | hexagon bolt M8x40 | 4 |
| 73 | 590 01 97-01 | WASHER | flat washer No.14 | 1 |
| 74 | 590 01 99-01 | WHEEL | front wheel | 1 |
| 75 | 590 02 00-01 | BAR | BAR | 1 |
| 76 | 590 02 02-01 | RING | jump ring B | 1 |
| 77 | 590 02 03-01 | TINE | tine assembly main(L) | 1 |
| 78 | 590 02 04-01 | TINE | tine assembly No.1(L) | 1 |
| 79 | 590 03 66-01 | THROTTLE CABLE | throttle cable | 1 |
| 80 | 590 03 67-01 | CABLE | reverse cable | 1 |
| 81 | 590 03 68-01 | CABLE | clutch cable | 1 |



SHIELD

MFT55 200R, 967097301, 2017-01

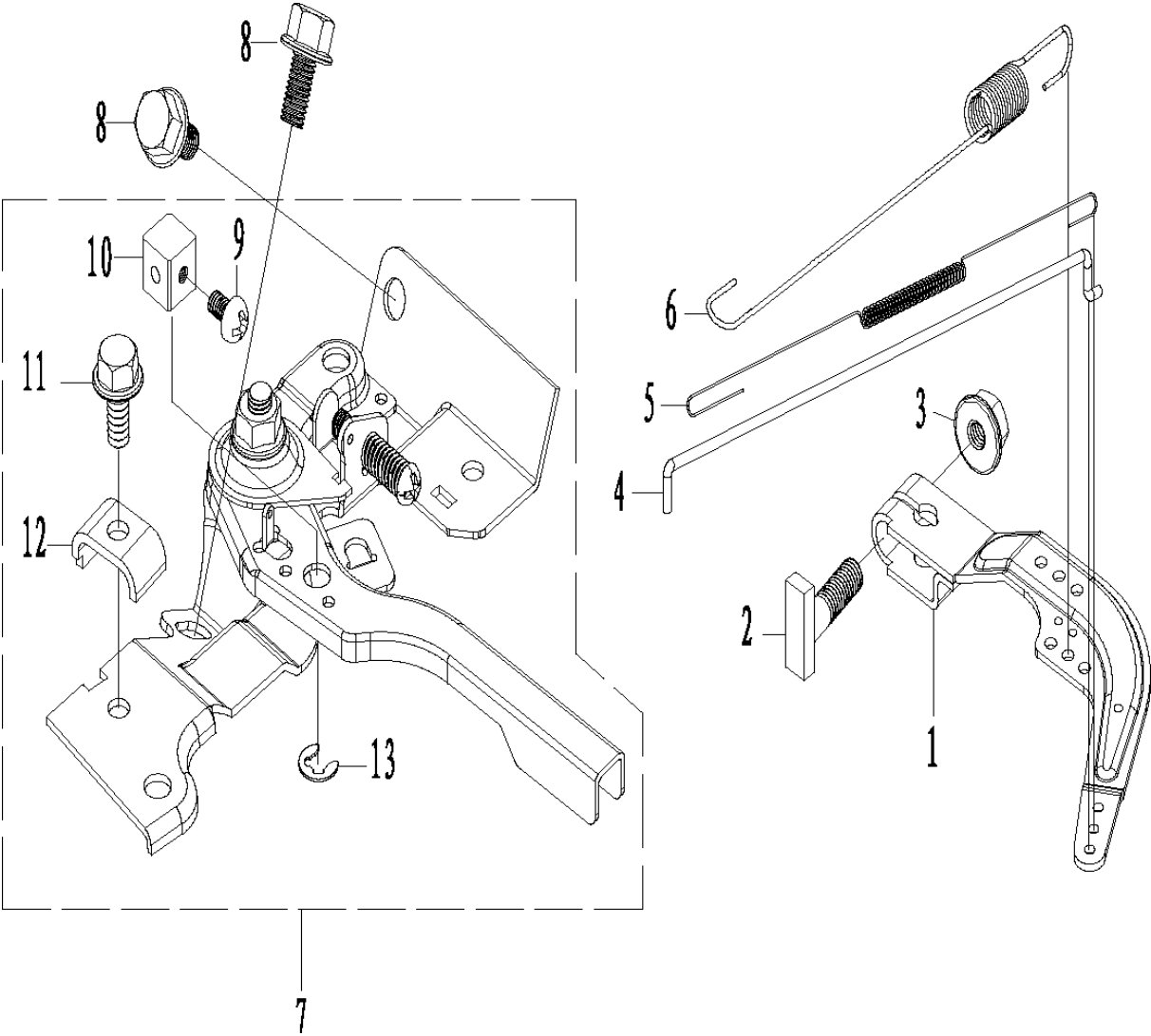
| Ref | Part No | Description | Remark | QTY KIT |
|-----|--------------|-------------|-------------|---------|
| 1 | 588 01 41-01 | SHIELD | WINDSHIELD | 1 |
| 2 | 589 92 56-01 | BOLT | BOLT M6_12 | 3 |
| 3 | 588 01 42-01 | SHROUD | SHROUD COMP | 1 |



STARTER

MFT55 200R, 967097301, 2017-01

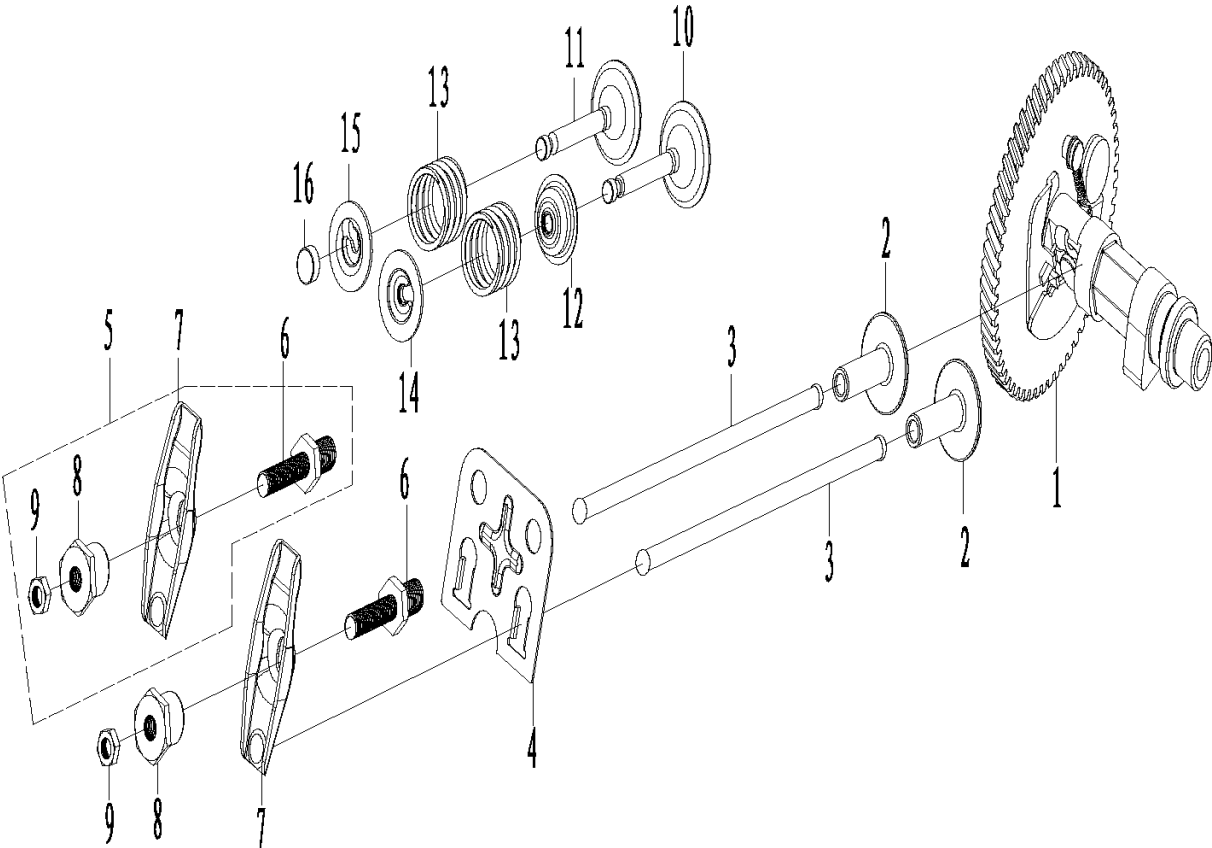
| Ref | Part No | Description | Remark | QTY KIT |
|-----|--------------|--------------|-------------------------------|---------|
| 1 | 589 91 24-01 | STARTER ASSY | RECOIL STARTER ASSY | 1 |
| 2 | 589 91 25-01 | SCOOP | WIND SCOOPER | 1 |
| 3 | 589 91 26-01 | BOLT | BOLT GB/T16674.1/M6x12 4 | |
| 4 | 589 91 27-01 | PLUG | PLUG,RECOIL STARTER | 1 |
| 5 | 589 91 30-01 | STARTER | STARTER COMP, RECOIL | 1 |
| 6 | 589 91 31-01 | BOLT | CENTER POSITION BOLT | 1 |
| 7 | 589 91 32-01 | GUIDE | RATCHET, GUIDE | 1 |
| 8 | 589 91 33-01 | SPRING | CENTER POSITION SPRING | 1 |
| 9 | 589 91 34-01 | RATCHET | RATCHET, STARTER | 2 |
| 10 | 589 91 36-01 | SPRING | SPRING, RETURN | 2 |
| 11 | 589 91 37-01 | REEL | REEL, RECOIL STARTER | 1 |
| 12 | 589 91 38-01 | SPRING | SPRING, STARTER RETURN | 1 |
| 13 | 589 91 39-01 | COVER ASSY | STARTER COVER COMP, RECOIL | 1 |
| 14 | 589 91 40-01 | ROPE | ROPE, RECOIL STARTER | 1 |
| 15 | 589 91 41-01 | HANDLE | HANDLE, STARTER | 1 |
| 16 | 589 91 42-01 | STARTER ASSY | RECOIL STARTER ASSY 6 | 3 |
| 17 | 589 91 43-01 | BOLT | BOLT M6_10 | 2 |
| 18 | 589 91 80-01 | BOLT | BOLT M6_60 | 1 |



THROTTLE CONTROLS

MFT55 200R, 967097301, 2017-01

| Ref | Part No | Description | Remark | QTY KIT |
|-----|--------------|-------------|---------------------------|---------|
| 1 | 589 92 46-01 | ARM | ARM, GOVERNOR | 1 |
| 2 | 588 00 71-01 | BOLT | T-SHAPE BOLT | 1 |
| 3 | 588 00 77-01 | BOLT | NUT M6 | 1 |
| 4 | 589 92 48-01 | TIE ROD | TIE ROD | 1 |
| 5 | 589 92 49-01 | SPRING | FINE ADJUSTMENT SPRING | 1 |
| 6 | 589 92 54-01 | SPRING | GOVERNING SPRING | 1 |
| 7 | 588 00 76-01 | CONTROL | CONTROL ASSY | 1 |
| 8 | 589 92 56-01 | BOLT | BOLT M6_12 | 2 |
| 9 | 588 00 78-01 | SCREW | SCREW M4_6 | 1 |
| 10 | 588 01 70-01 | CLAMP | WIRE TERMINAL | 1 |
| 11 | 588 00 79-01 | BOLT | BOLT M5_16 | 1 |
| 12 | 588 01 69-01 | CONNECTION | PRESS LINE BOARD | 1 |
| 13 | 588 00 80-01 | WASHER | SPLIT WASHER | 1 |



VALVES

MFT55 200R, 967097301, 2017-01

| Ref | Part No | Description | Remark | QTY KIT |
|-----|--------------|-------------|------------------------------|---------|
| 1 | 588 00 41-01 | CAMSHAFT | CAMSHAFT ASSY | 1 |
| 2 | 588 00 42-01 | ARM | LIFTER, VALVE | 2 |
| 3 | 588 00 43-01 | ROD | ROD, PUSH | 2 |
| 4 | 588 00 44-01 | PLATE | PLATE, PUSH ROD GUIDE | 1 |
| 5 | 588 00 45-01 | ARM | ARM ASSY, VALVE ROCKER | 2 |
| 6 | 588 00 46-01 | BOLT | BOLT, PIVOT | 2 |
| 7 | 588 00 47-01 | ARM | ARM, VALVE ROCKER | 2 |
| 8 | 588 00 48-01 | NUT | ADJUSTING NUT, VALVE | 2 |
| 9 | 588 00 50-01 | NUT | NUTT, PIVOT LOCKING | 2 |
| 10 | 588 00 51-01 | INLET | VALVE, INLET | 1 |
| 11 | 589 91 22-01 | VALVE | VALVE, EXHAUST | 1 |
| 12 | 588 00 53-01 | SEAL | VALVE SEAL | 1 |
| 13 | 588 00 54-01 | SPRING | SPRING, VALVE | 2 |
| 14 | 588 00 55-01 | SPRING | INTAKE VALVE SPRING SEAT | 1 |
| 15 | 588 00 56-01 | SPRING | EXHAUST VALVE SPRING SEAT | 1 |
| 16 | 588 00 57-01 | ADJUSTER | ADJUSTER, EX. VALVE | 1 |