

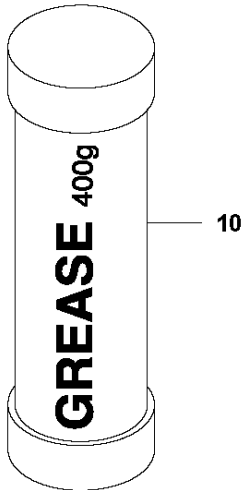
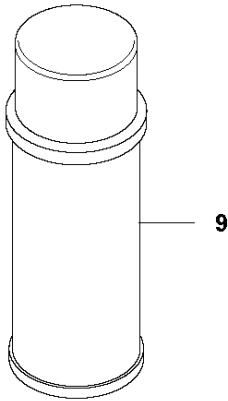
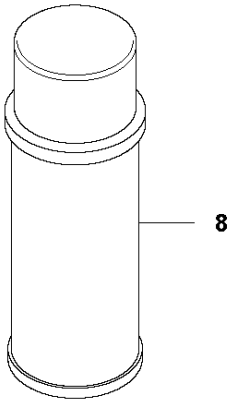
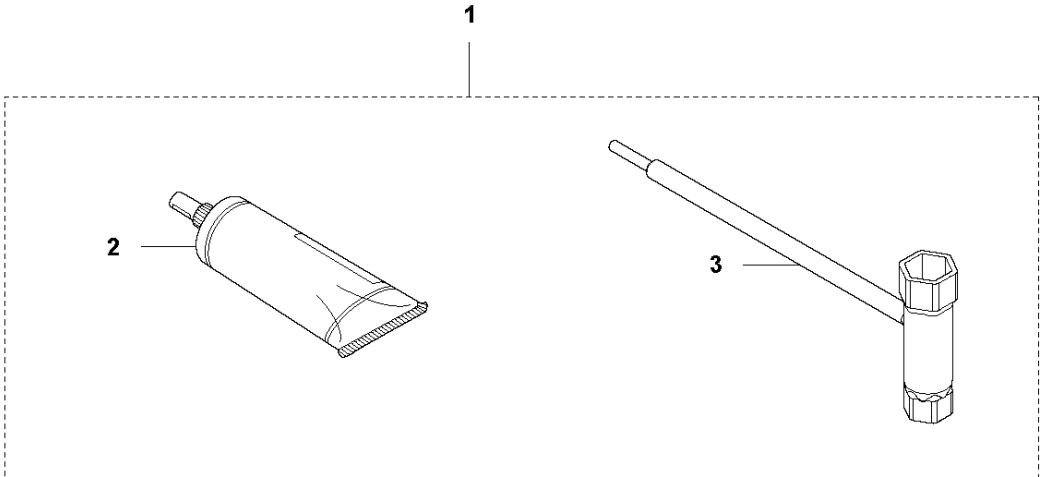


SPARE PARTS LIST

HEDGE TRIMMERS

SuperLite 4528, 966693301

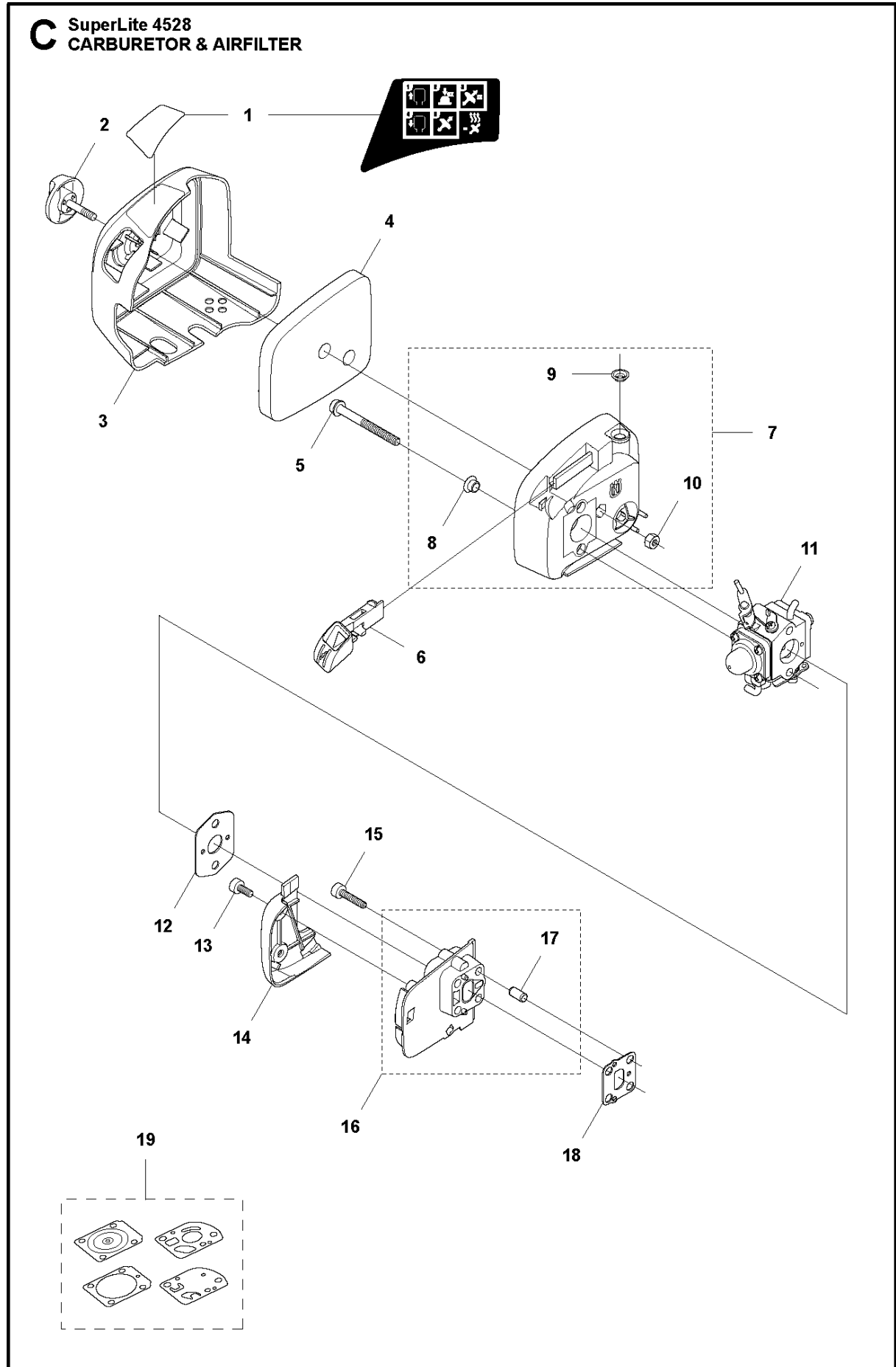
N SuperLite 4528
ACCESSORIES



ACCESSORIES

SuperLite 4528, 966693301

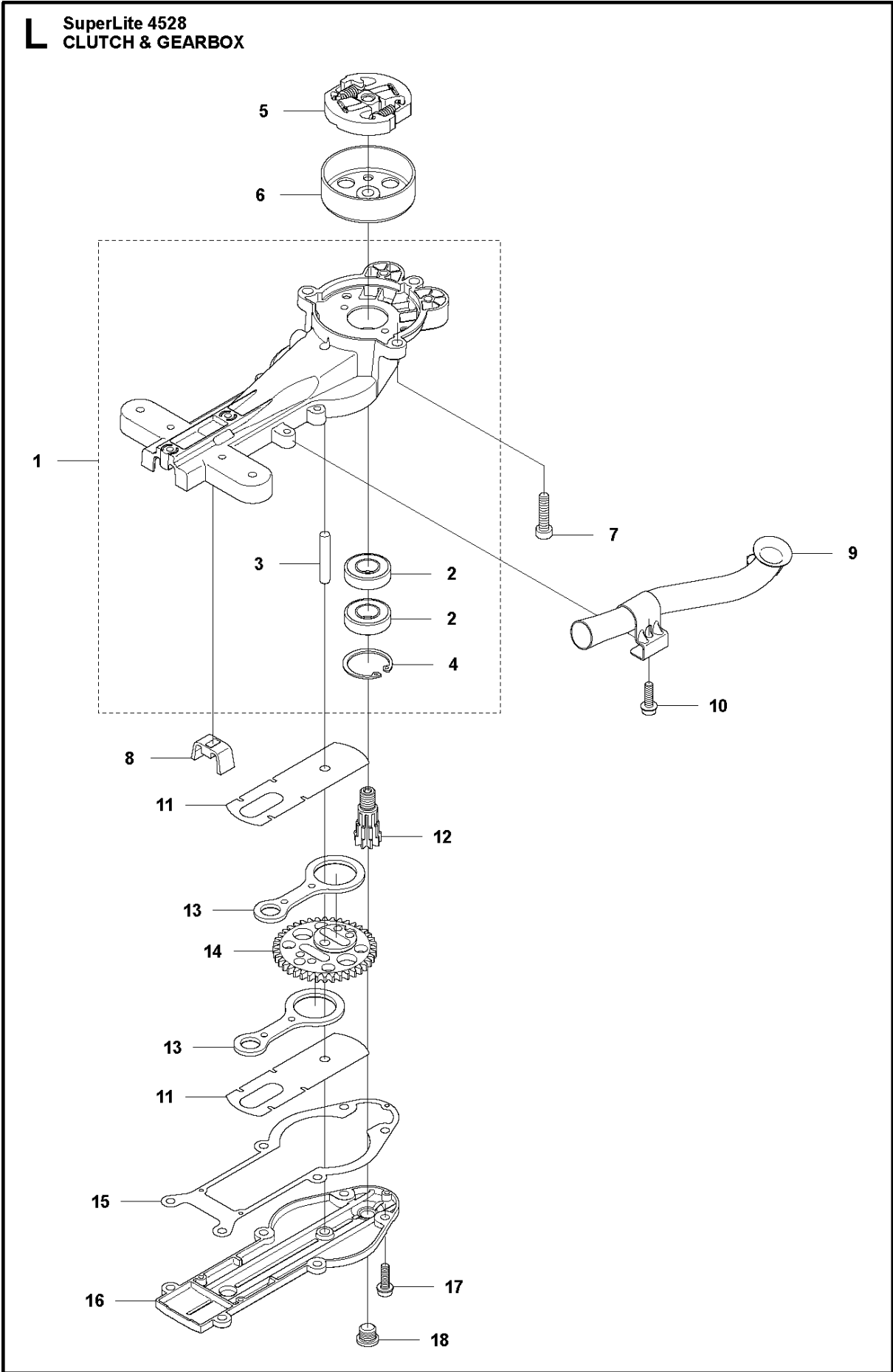
Ref	Part No	Description	Remark	QTY	KIT
1	577 50 12-01	ACCESSORY BAG		1	
2	577 76 56-01	GREASE		1	1
3	575 73 82-01	COMBINATION WRENCH		1	1
8	544 14 22-01	GREASE	UL22	1	
9	544 14 21-01	GREASE	UL21	1	
10	588 81 48-01	GREASE	Shell Gardus	1	



CARBURETOR & AIR FILTER

SuperLite 4528, 966693301

Ref	Part No	Description	Remark	QTY	KIT
1	578 90 95-01	DECAL		1	
2	537 21 32-02	KNOB		1	
3	576 64 31-01	AIR FILTER COVER		1	
4	523 01 34-01	AIR FILTER		1	
5	573 92 58-02	SCREW ITXSCFT		2	
6	523 01 25-01	CHOKE		1	
7	523 01 27-02	FILTER HOLDER ASSY		1	
8	544 10 58-02	TUBULAR RIVET		2	7
9	544 10 58-03	TUBULAR RIVET		1	7
10	731 23 14-01	HEXAGON NUT		1	7
11	523 01 24-01	CARBURETTOR		1	
12	525 54 85-01	GASKET		1	
13	574 44 40-02	SCREW ITXSCT		2	
14	576 27 75-02	BRACKET		1	
15	525 76 09-04	SCREW ITXSCM		4	
16	525 74 17-02	MANIFOLD		1	
17	522 91 13-01	TUBULAR RIVET		4	16
18	522 91 85-01	GASKET		1	
19	588 98 60-01	KIT		1	

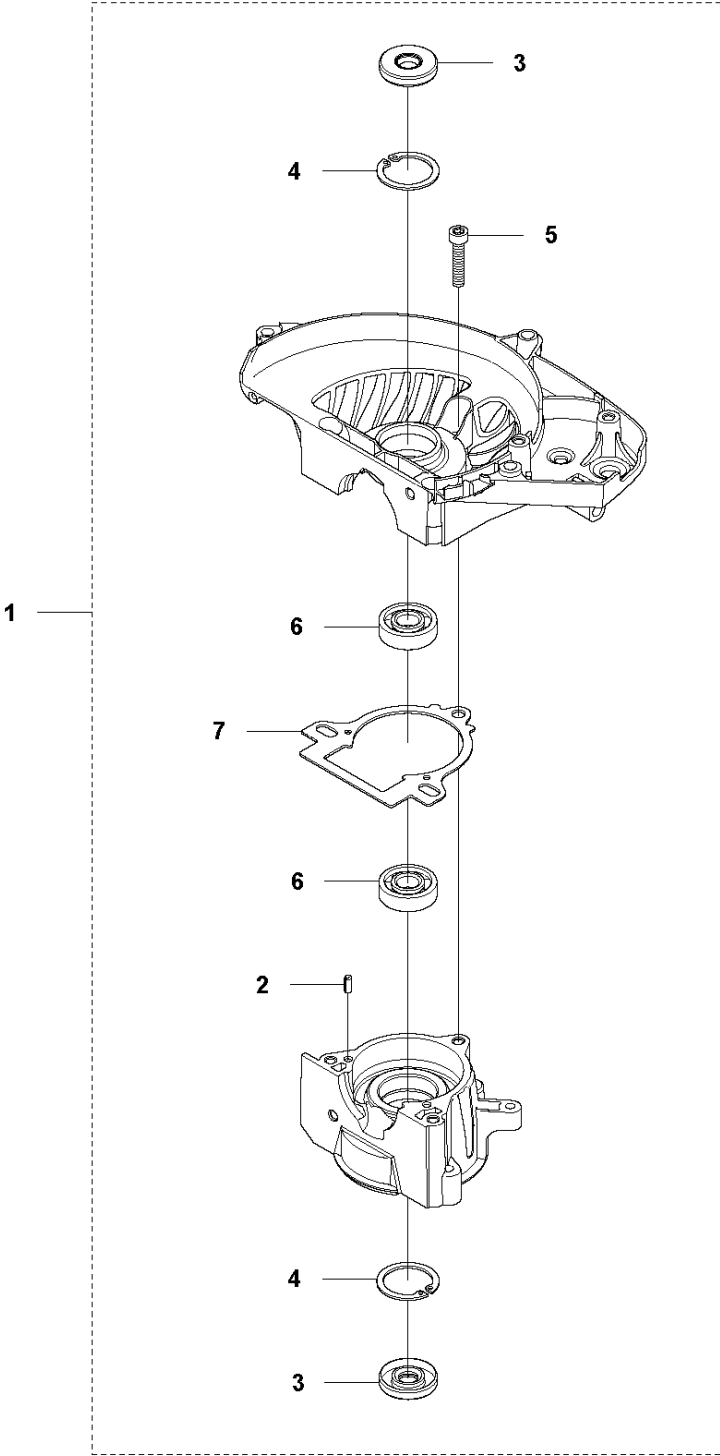


CLUTCH & GEARBOX

SuperLite 4528, 966693301

Ref	Part No	Description	Remark	QTY	KIT
1	577 64 76-01	GEAR HOUSING ASSY		1	
2	738 21 01-04	BALL BEARING		2	1
3	525 52 81-01	PEN		1	1
4	506 44 93-01	CIRCLIP		1	1
5	504 08 47-01	CLUTCH ASSY		1	
6	525 52 84-01	CLUTCH DRUM ASSY		1	
7	544 21 84-03	SCREW ITXSCM		3	
8	575 65 99-01	GASKET		1	
9	523 01 36-01	EXHAUST PIPE ASSY		1	
10	525 75 51-01	SCREW ITXSCFM		1	
11	525 52 82-01	WEAR PLATE		2	
12	525 52 89-01	GEAR WHEEL SHAFT		1	
13	525 52 87-01	CONNECTING ROD		2	
14	525 52 88-01	GEAR WHEEL		1	
15	525 52 90-01	GASKET		1	
16	525 52 83-01	HUB CAP		1	
17	525 75 51-01	SCREW ITXSCFM		6	
18	575 48 41-01	PLUG		1	

H SuperLite 4528
CRANKCASE

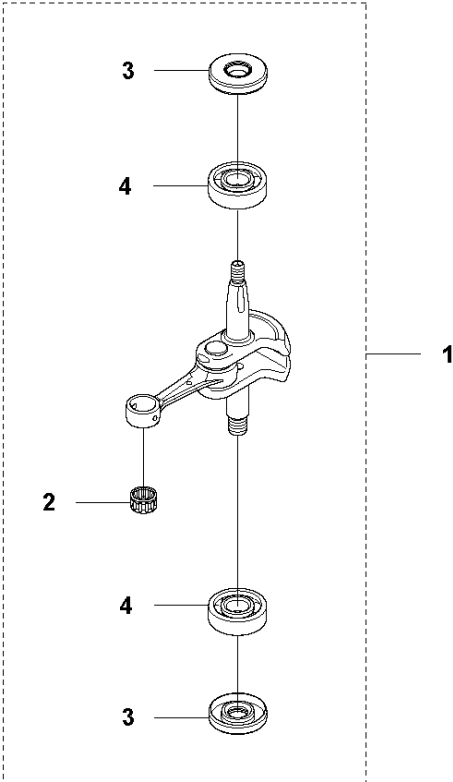


CRANKCASE

SuperLite 4528, 966693301

Ref	Part No	Description	Remark	QTY	KIT
1	577 66 99-01	CRANKCASE		1	
2	525 86 38-01	PIN		2	1
3	525 63 73-01	SEALING RING		2	1
4	735 31 27-10	CIRCLIP		2	1
5	525 82 50-01	SCREW ITXSCM		3	1
6	525 72 84-01	BALL BEARING		2	1
7	525 52 19-01	GASKET		1	1

J SuperLite 4528
CRANK SHAFT

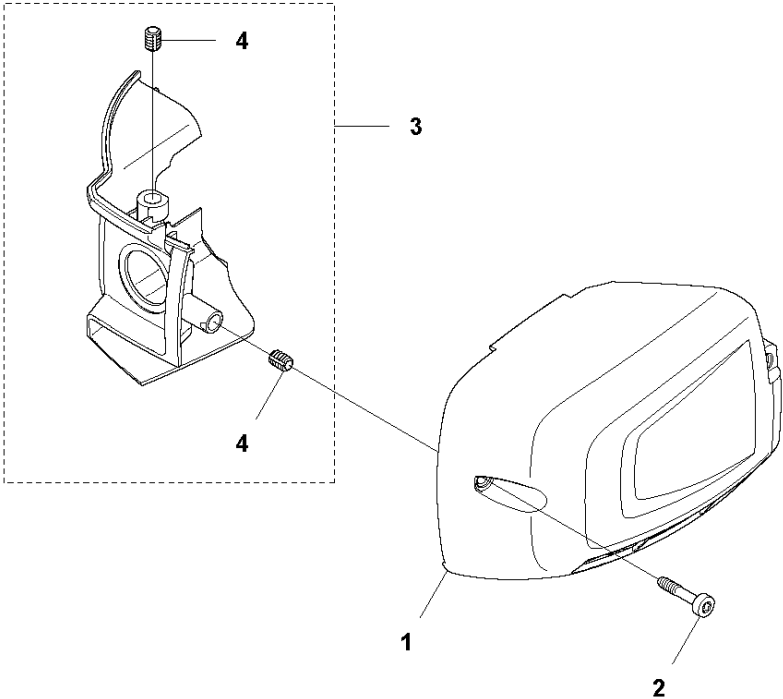


CRANKSHAFT

SuperLite 4528, 966693301

Ref	Part No	Description	Remark	QTY KIT
1	577 67 00-01	CRANKSHAFT		1
2	575 50 49-01	NEEDLE BEARING		1
3	525 63 73-01	SEALING RING		2
4	525 72 84-01	BALL BEARING		2

B SuperLite 4528
CYLINDER COVER

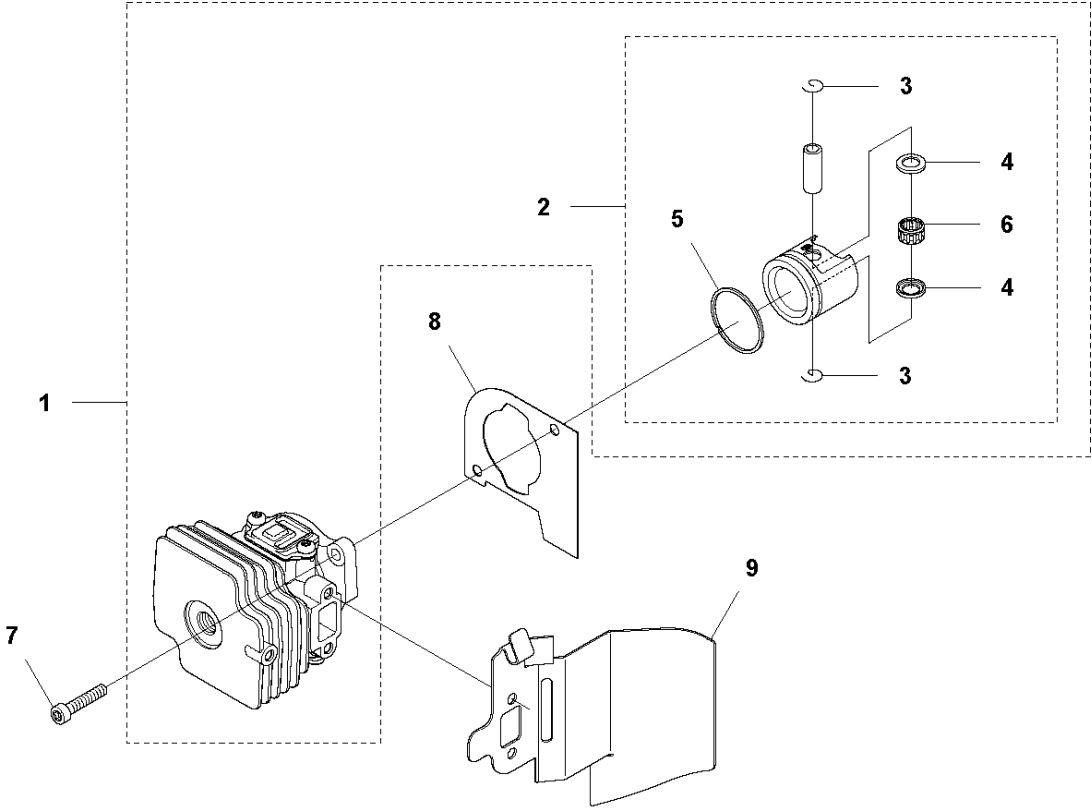


CYLINDER COVER

SuperLite 4528, 966693301

Ref	Part No	Description	Remark	QTY	KIT
1	576 64 25-01	HEAT PROTECTOR		1	
2	504 08 80-01	SCREW ITXSCM		2	
3	576 63 82-01	CYLINDER COVER ASSY		1	
4	575 43 46-01	THREAD BUSHING		2	3

G SuperLite 4528
CYLINDER & PISTON

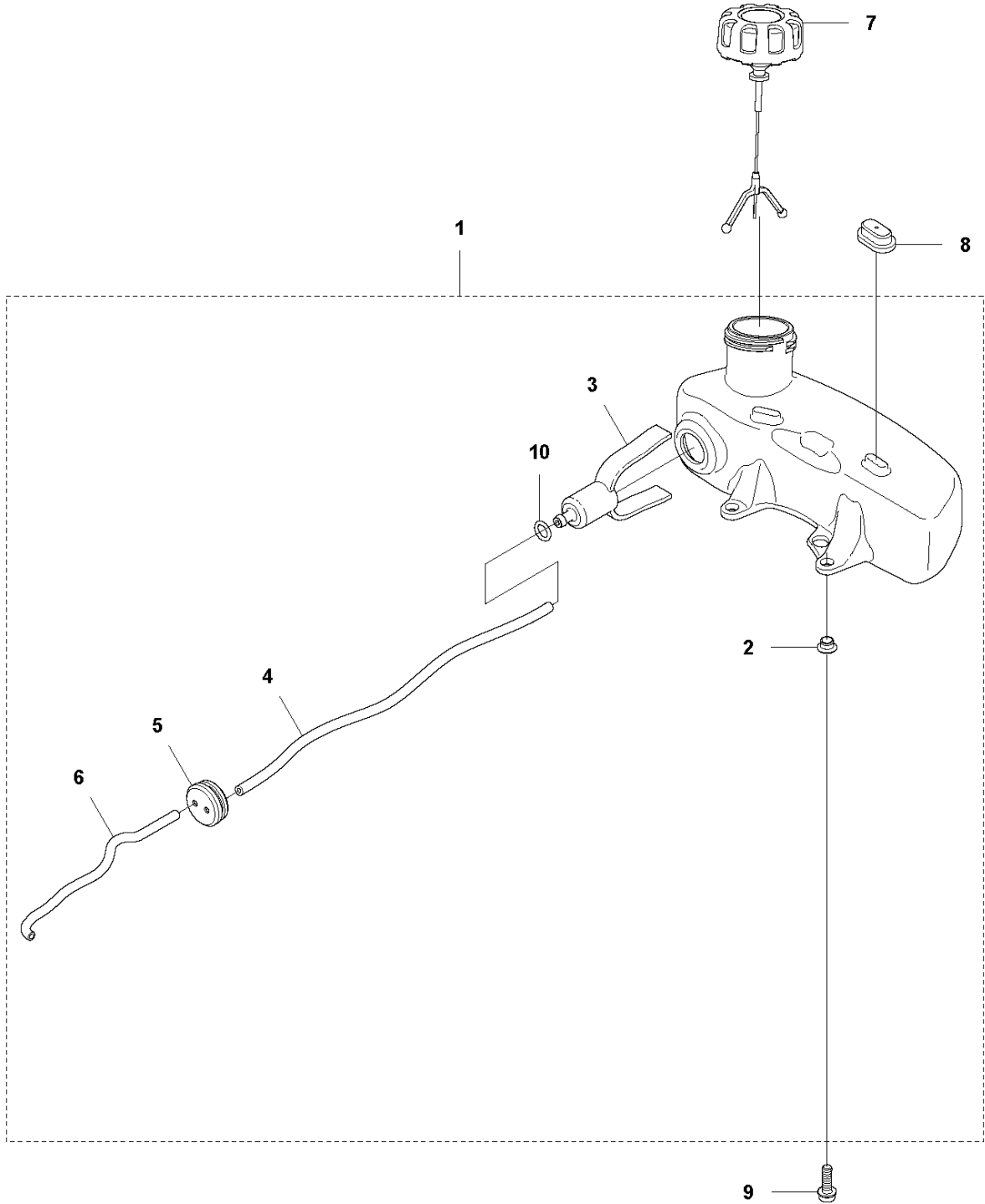


CYLINDER PISTON

SuperLite 4528, 966693301

Ref	Part No	Description	Remark	QTY	KIT
1	577 38 03-01	CYLINDER		1	
2	510 22 36-02	PISTON ASSY		1	1
3	737 44 08-00	CIRCLIP		2	1,2
4	525 57 77-01	WASHER		2	1,2
5	505 15 58-01	PISTON RING		1	1,2
6	575 50 49-01	NEEDLE BEARING		1	1,2
7	525 82 50-01	SCREW ITXSCM		2	
8	525 52 21-01	GASKET		1	
9	523 01 35-01	HEAT DEFLECTOR		1	

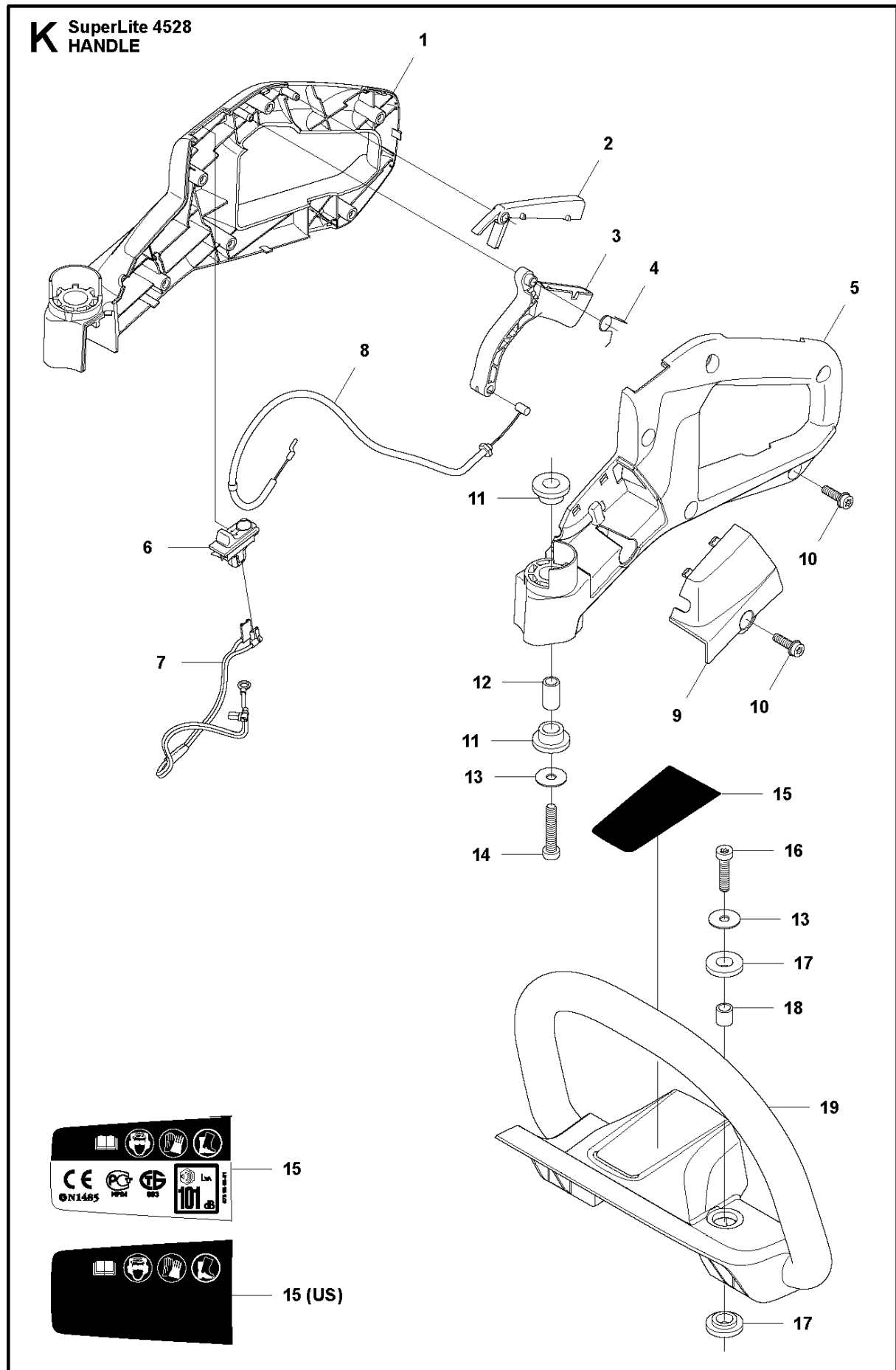
D SuperLite 4528
FUEL TANK



FUEL TANK

SuperLite 4528, 966693301

Ref	Part No	Description	Remark	QTY	KIT
1	523 01 42-03	TANK ASSY		1	
2	544 10 58-02	TUBULAR RIVET		2	1
3	574 60 39-01	FUEL FILTER		1	1
4	544 32 50-02	FUEL HOSE	300mm	1	1
5	575 55 38-01	GROMMET		1	1
6	574 60 02-01	HOSE	150mm	1	1
7	504 11 32-03	TANK CAP		1	
8	525 82 20-01	FUEL TANK ISOLATOR		2	
9	525 75 51-01	SCREW ITXSCFM		2	
10	537 18 49-01	O-RING		1	1

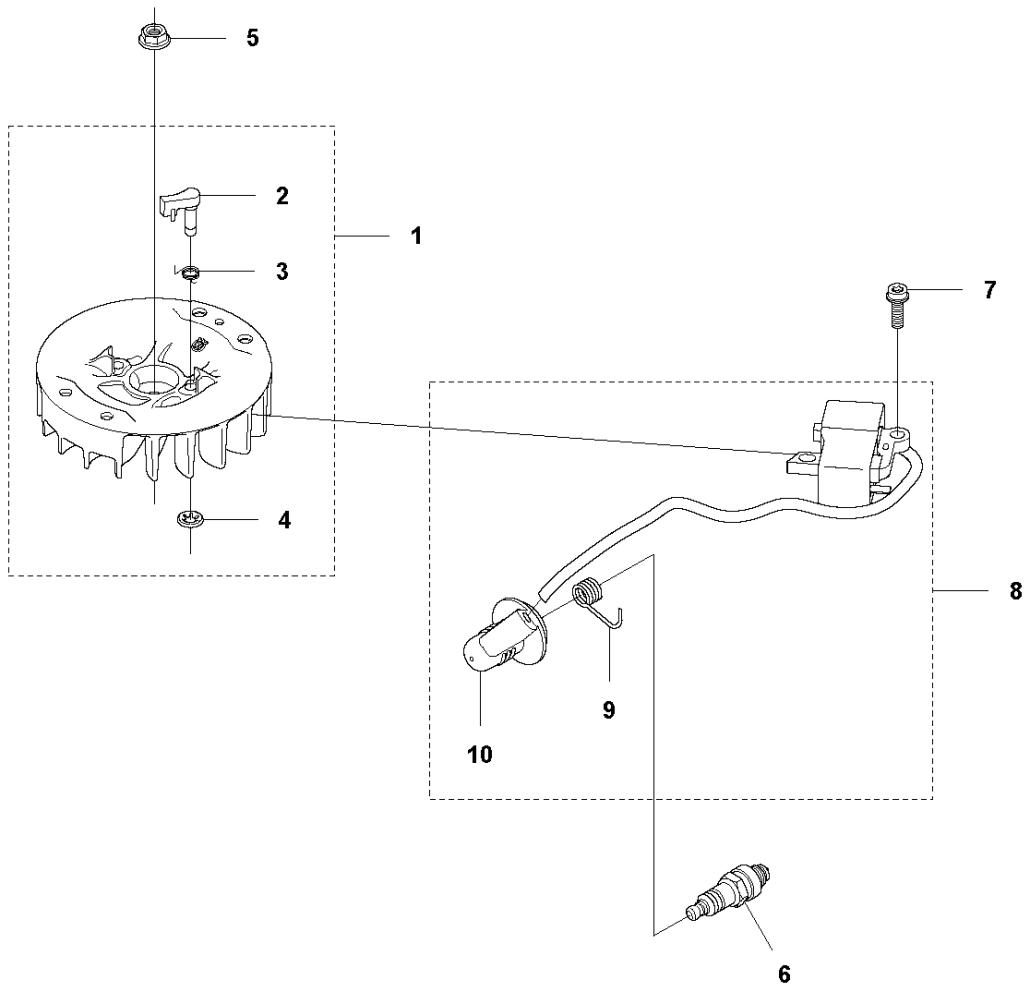


HANDLE

SuperLite 4528, 966693301

Ref	Part No	Description	Remark	QTY KIT
1	576 54 74-02	REAR HANDLE		1
2	504 08 97-03	THROTTLE LOCKOUT		1
3	504 08 94-03	THROTTLE CONTROL		1
4	504 08 96-01	SPRING		1
5	576 54 73-02	REAR HANDLE		1
6	537 41 90-01	SWITCH		1
7	574 48 88-02	SHORT CIRCUIT CABLE		1
8	575 57 21-01	THROTTLE CABLE ASSY		1
9	576 76 88-02	LID		1
10	573 92 58-01	SCREW ITXSCFT		6
11	525 63 35-01	ANTIVIBRATION ELEMENT		4
12	525 63 37-01	SLEEVE		2
13	734 18 14-55	WASHER		4
14	544 21 84-05	SCREW ITXSCM		2
15	587 13 00-02	LABEL		1
16	544 21 84-03	SCREW ITXSCM		2
17	525 63 36-01	ANTIVIBRATION ELEMENT		4
18	525 63 38-01	SLEEVE		2
19	576 64 32-01	FRONT HANDLE		1

E SuperLite 4528
IGNITION SYSTEM

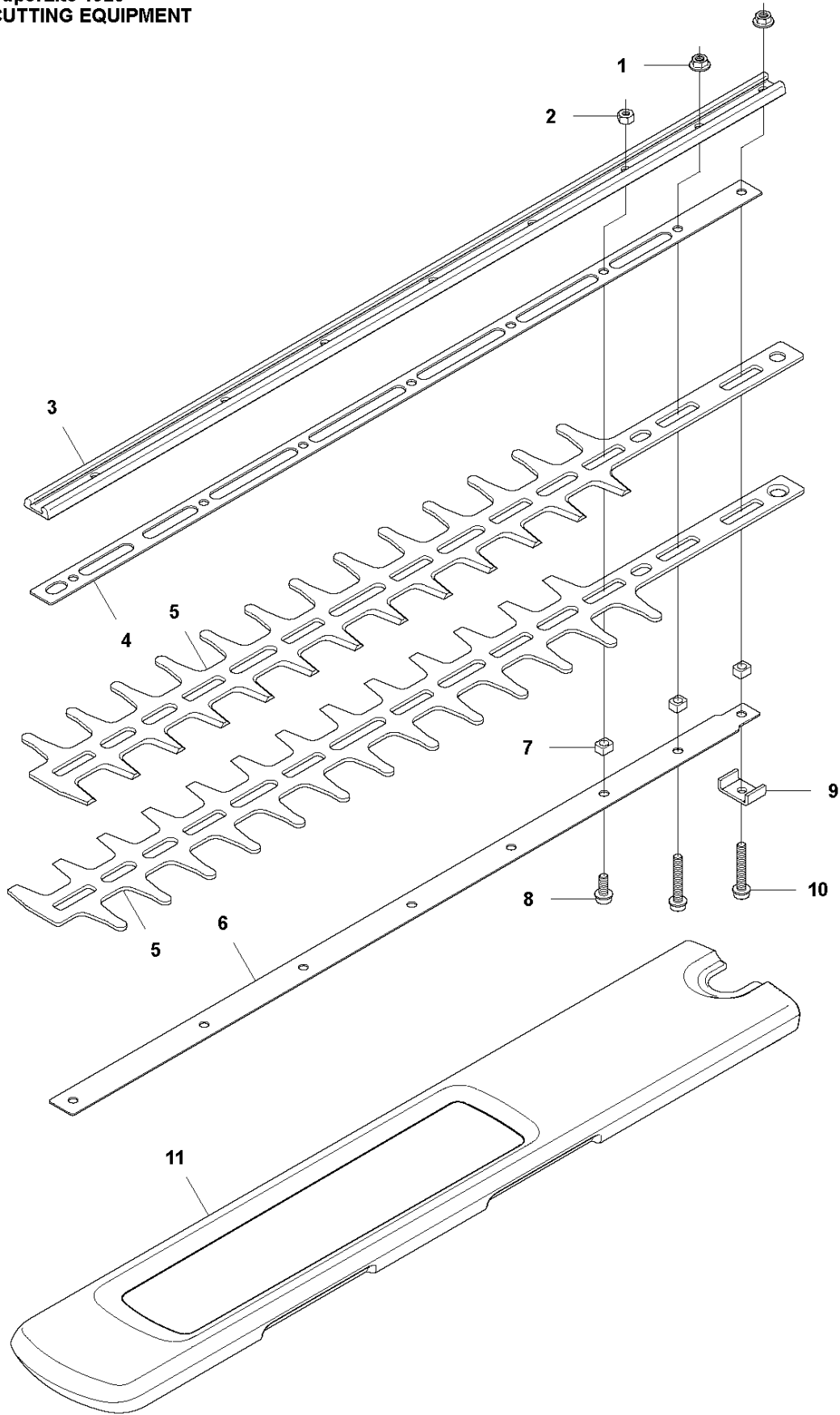


IGNITION SYSTEM

SuperLite 4528, 966693301

Ref	Part No	Description	Remark	QTY	KIT
1	525 73 95-01	FLYWHEEL ASSY		1	
2	525 63 71-01	STARTER PAWL		2	1
3	573 95 15-01	SPRING		2	1
4	735 58 30-00	WASHER		2	1
5	731 71 16-51	HEXAGON NUT FLANGE		1	
6	590 71 02-01	SPARK PLUG		1	
7	525 75 51-01	SCREW ITXSCFM		2	
8	525 87 33-01	IGNITION MODULE		1	
9	501 48 56-01	CONTACT SPRING		1	8
10	577 57 25-01	SPARK PLUG CAP		1	8

M SuperLite 4528
CUTTING EQUIPMENT

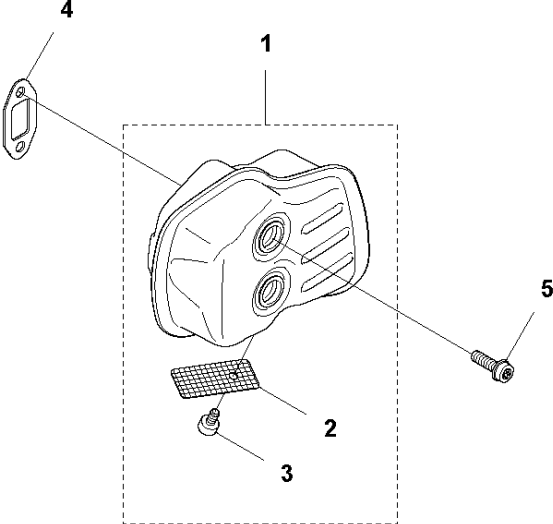


MOWER DECK / CUTTING DECK

SuperLite 4528, 966693301

Ref	Part No	Description	Remark	QTY KIT
1	731 71 14-51	HEXAGON NUT FLANGE		2
2	731 23 14-01	HEXAGON NUT		6
3	525 35 08-01	BAR		1
4	525 35 16-01	WEAR PLATE		1
5	577 24 96-01	BLADE HEDGE TRIMMER		2
6	525 35 11-01	BAR		1
7	525 35 19-01	SPACER		8
8	525 75 51-05	SCREW ITXSCFM		6
9	525 35 20-01	BRACKET		1
10	525 75 51-03	SCREW ITXSCFM		2
11	577 26 88-01	TRANSPORT GUARD		1

F SuperLite 4528
MUFFLER

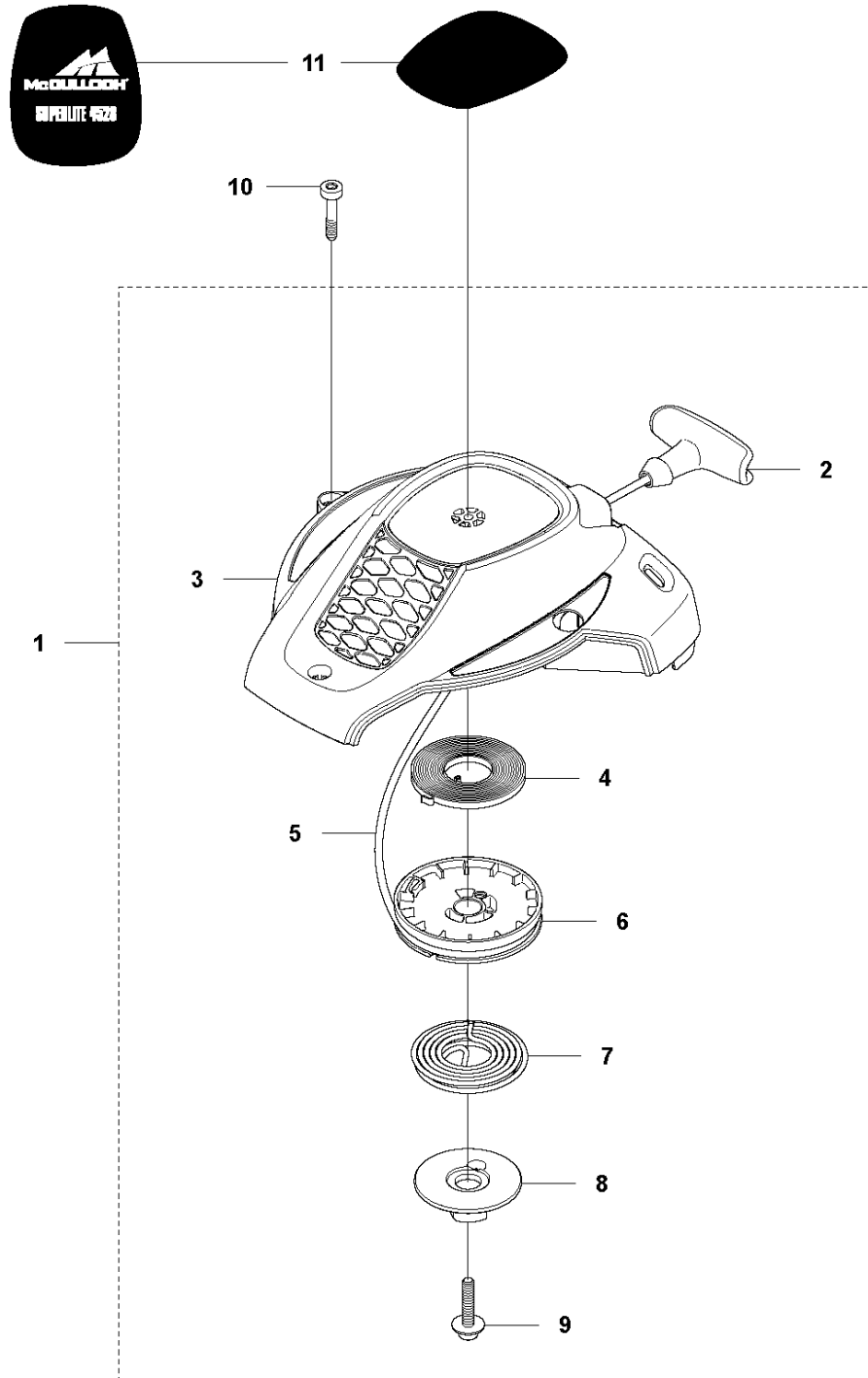


MUFFLER

SuperLite 4528, 966693301

Ref	Part No	Description	Remark	QTY	KIT
1	523 03 26-01	MUFFLER ASSY		1	
2	525 74 16-01	SPARK ARRESTER		1	1
3	504 08 79-01	SCREW ITXSCM		1	1
4	522 99 73-01	GASKET		1	
5	525 75 51-01	SCREW ITXSCFM		2	

A Superlite 4528
STARTER



STARTER

SuperLite 4528, 966693301

Ref	Part No	Description	Remark	QTY	KIT
1	576 63 76-01	STARTER ASSY		1	
2	577 27 16-01	STARTER HANDLE		1	1
3	576 63 77-01	STARTER HOUSING		1	1
4	575 89 64-01	SPRING		1	1
5	574 28 69-02	STARTER CORD		1	1
6	523 01 07-01	STARTER PULLEY		1	1
7	523 01 10-01	SPRING		1	1
8	523 01 12-01	DRIVER		1	1
9	577 22 61-03	SCREW ITXSCT		1	1
10	504 08 80-01	SCREW ITXSCM		4	
11	578 90 94-01	DECAL		1	