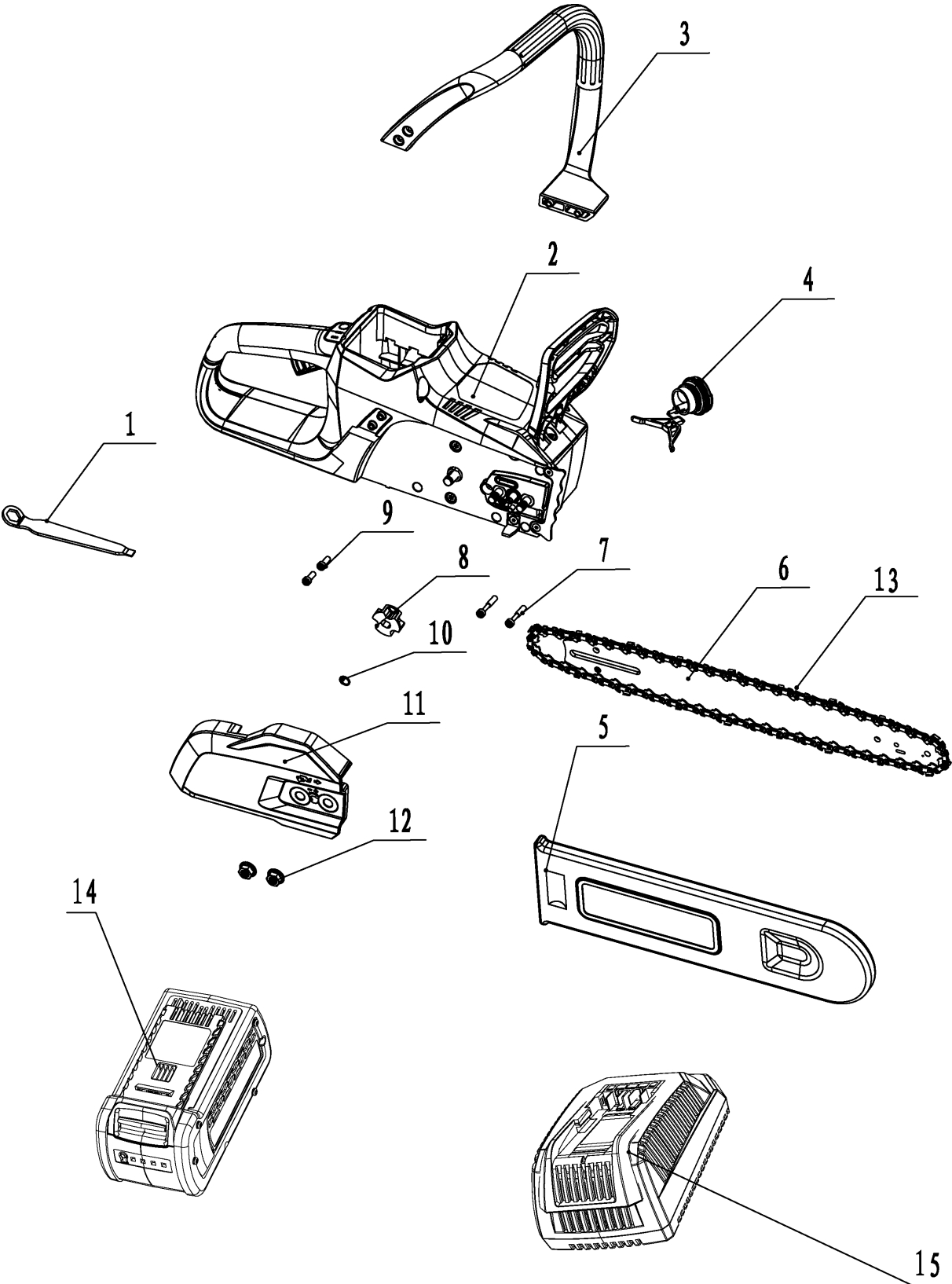




SPARE PARTS LIST

CHAIN SAWS: ELECTRIC

2900817, 2016-09



Ref	Part No	Description	Remark	QTY KIT
1	589 83 87-01	WRENCH		1
2	589 83 88-01	HOUSING ASSY		1
3	589 71 59-01	FRONT HANDLE		1
4	589 71 60-01	OIL CAP ASSY		1
5	589 80 66-01	SCABBARD		1
6	577 61 43-05	BAR		1
7	589 71 72-01	SCREW		2
8	589 80 67-01	SPROCKET		1
9	589 71 73-01	SCREW		2
10	589 71 74-01	SPROCKET CLIP		1
11	589 71 77-01	SIDE COVER		1
12	589 71 78-01	NUT		2
13	577 61 51-05	SAW CHAIN		1
14	582 61 17-01	BATTERY PACK - 2AH		1
14	582 61 13-01	BATTERY PACK - 4AH		0
15	582 61 37-62	BATTERY CHARGER - EU		1
15	582 61 37-01	BATTERY CHARGER - UK		1