

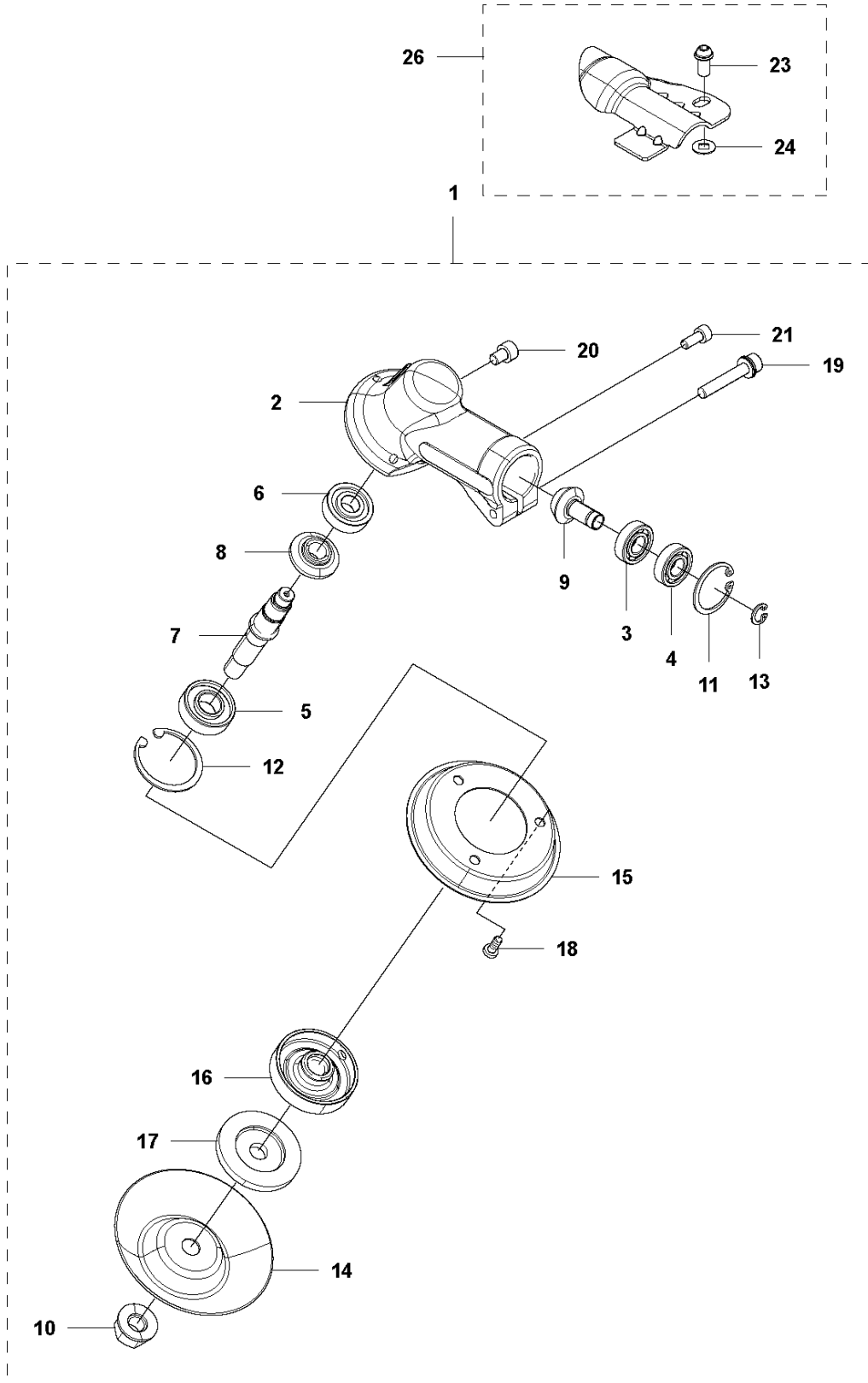


# SPARE PARTS LIST

BRUSHCUTTERS/CLEARING SAWS

B40 P, 966778801, 2017-01

**A** B40P  
BEVEL GEAR

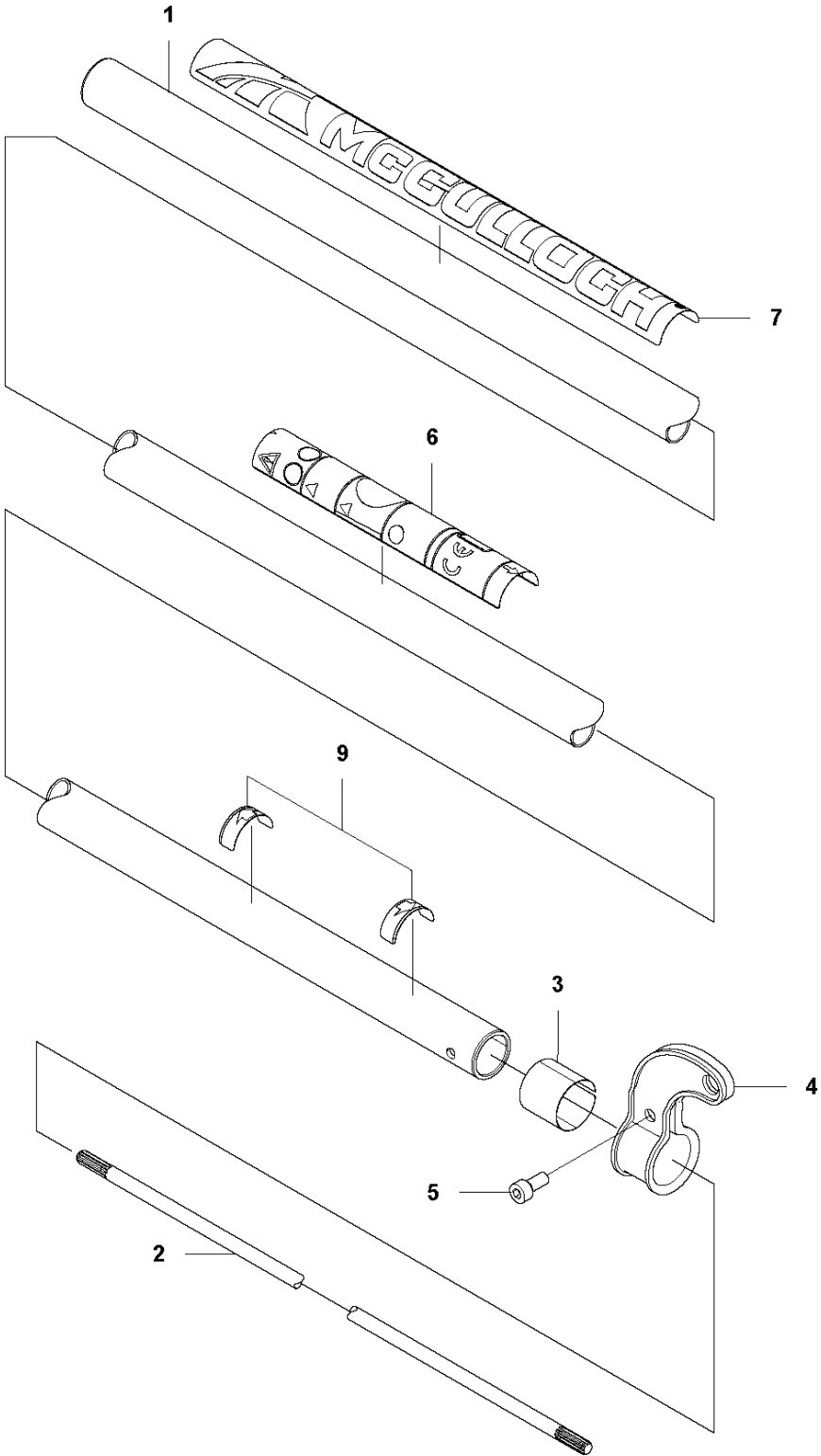


## BEVEL GEAR

B40 P, 966778801, 2017-01

Ref	Part No	Description	Remark	QTY	KIT
1	578 33 33-01	GEAR CASE		1	
2	579 00 65-01	GEAR CASE		1	1, 25
3	505 16 92-01	BEARING		1	1, 25
4	505 16 93-01	BEARING		1	1, 25
5	510 56 97-01	BEARING		1	1, 25
6	579 06 41-01	BEARING		1	1, 25
7	579 00 69-01	SHAFT		1	1, 25
8	579 00 72-01	GEAR		1	1, 25
9	579 00 73-01	PINION		1	1, 25
10	581 31 54-01	NUT		1	1
11	505 16 94-01	LOCK RING		1	1, 25
12	504 12 10-01	SNAP RING		1	1, 25
13	521 82 18-01	RING		1	1, 25
14	579 00 66-01	COVER		1	1
15	579 00 67-01	COVER		1	1, 25
16	579 00 71-01	HOLDER		1	1
17	579 00 70-01	HOLDER		1	1
18	510 46 46-01	SCREW		3	1, 25
19	521 86 23-01	BOLT		1	1
20	521 86 20-01	BOLT		1	1, 25
21	521 86 11-01	BOLT		1	1
23	530 01 57-71	SCREW		1	26
24	575 67 73-01	LOCKWASHER		1	26
26	579 21 69-01	BRACKET		1	

**B** B40P  
SHAFT

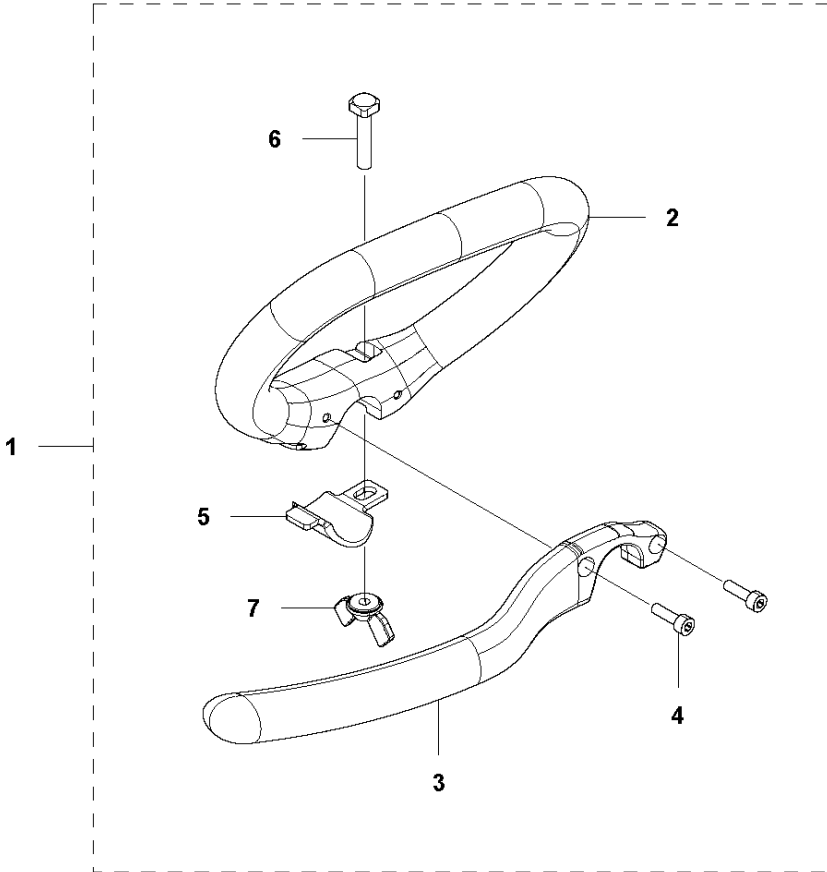


SHAFT

B40 P, 966778801, 2017-01

Ref	Part No	Description	Remark	QTY KIT
1	578 33 30-01	TUBE		1
2	578 33 32-01	DRIVE SHAFT		1
3	580 29 24-01	SPACER		1
4	580 29 23-01	HANGER		1
5	544 25 80-01	BOLT		1
6	587 36 28-01	DECAL		1
7	578 96 43-01	DECAL		1
9	580 23 73-01	DECAL		2

**C** B40P  
HANDLE

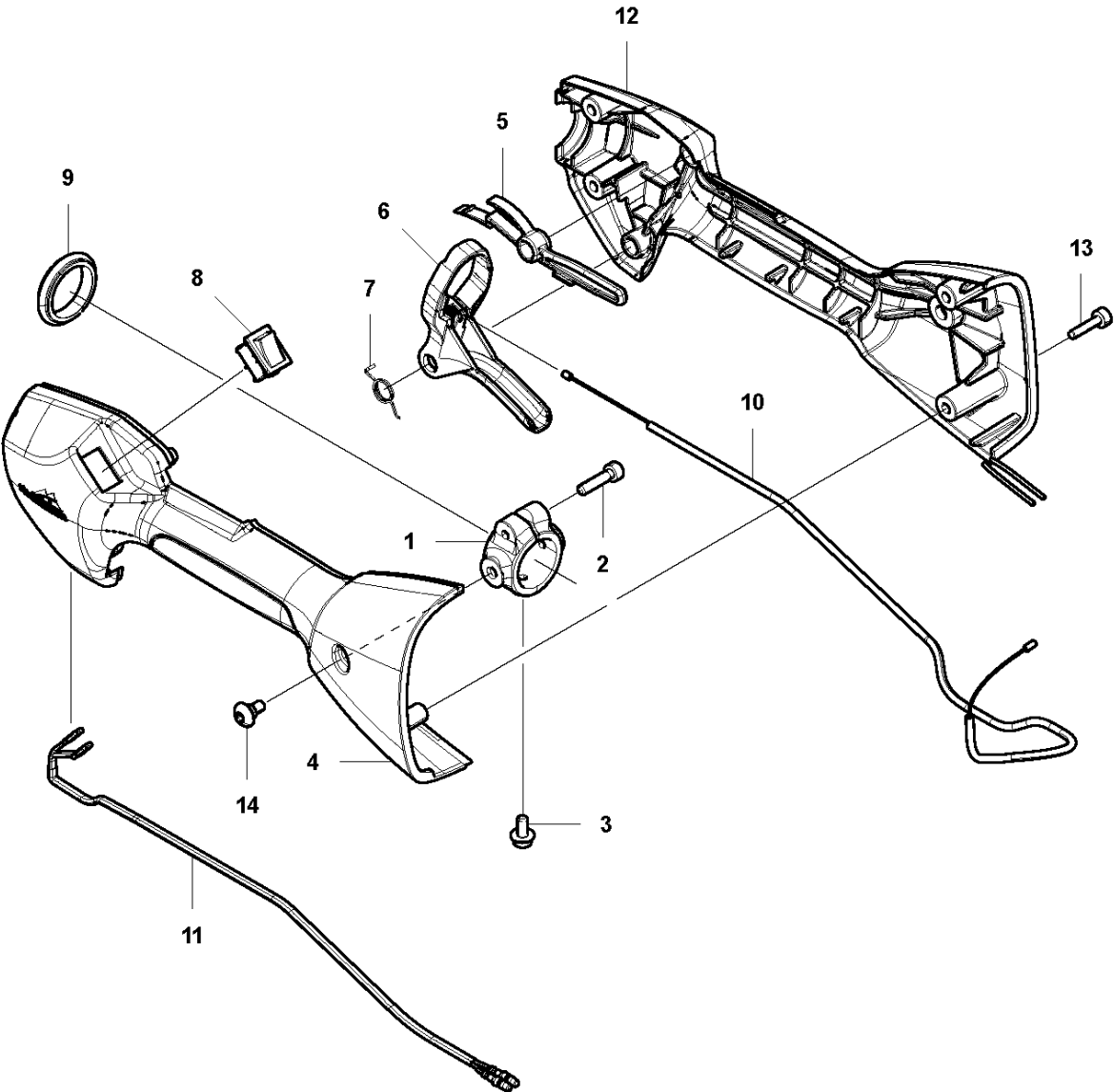


## HANDLE

B40 P, 966778801, 2017-01

Ref	Part No	Description	Remark	QTY KIT
1	545 21 60-01	HANDLE		1
2	545 07 42-01	HANDLE LOOP		1
3	545 14 42-01	J BAR JONSERED		1
4	530 01 59-52	SCREW		2
5	530 05 91-85	CLAMP		1
6	530 01 58-20	SCREW		1
7	530 01 61-52	WING NUT		1

**D** B40P  
THROTTLE CONTROLS



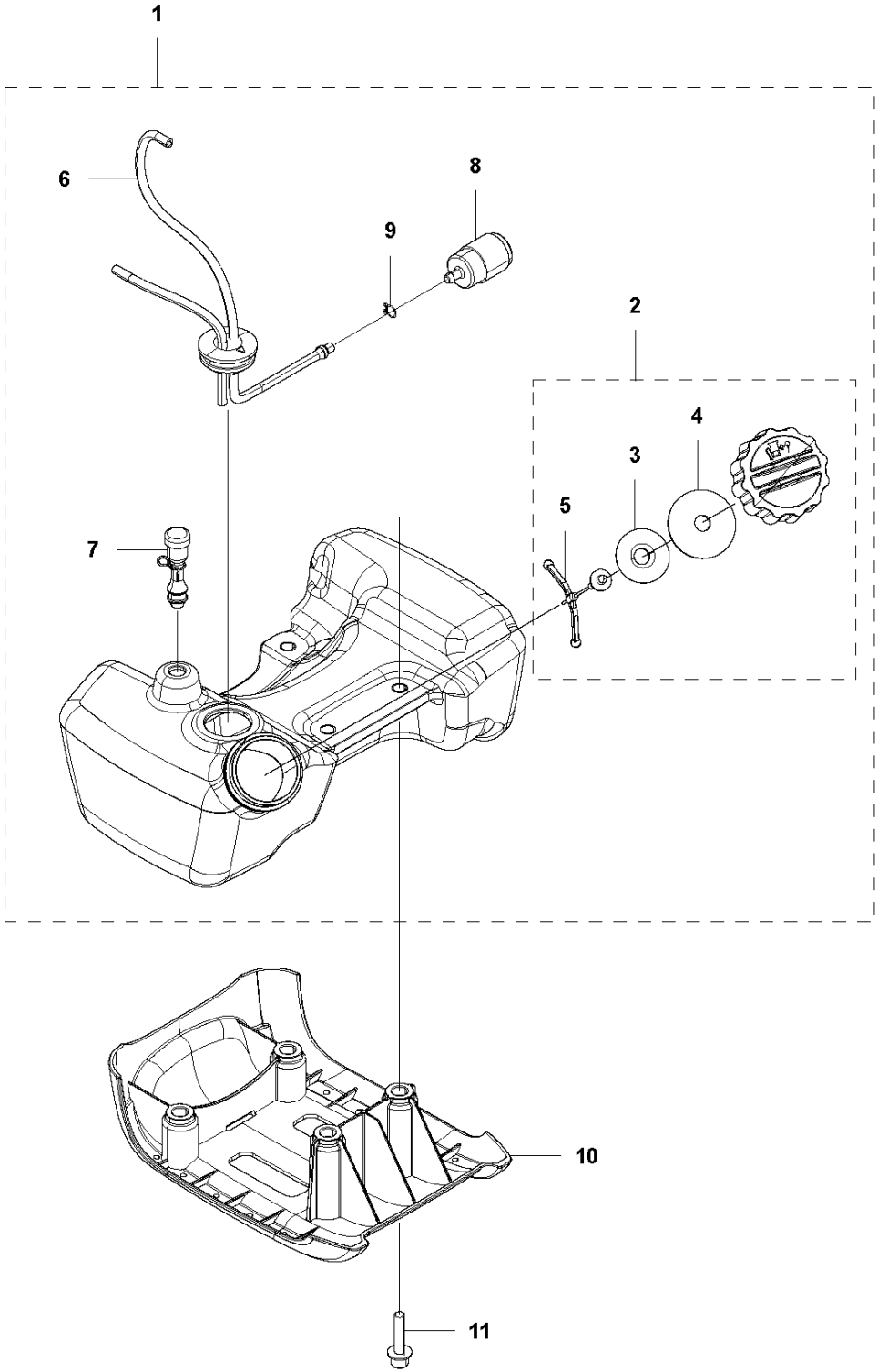


## THROTTLE CONTROLS

B40 P, 966778801, 2017-01

Ref	Part No	Description	Remark	QTY KIT
1	578 86 27-01	BRACKET		1
2	510 90 46-01	BOLT		1
3	521 51 59-01	BOLT		1
4	574 19 26-01	HANDLE		1
5	574 19 28-01	THROTTLE LOCKOUT		1
6	574 19 29-01	TRIGGER		1
7	576 85 17-01	SPRING		1
8	575 31 58-01	STOP SWITCH		1
9	574 82 44-01	ANTIVIBRATION ELEMENT		1
10	579 14 92-01	THROTTLE CABLE ASSY		1
11	579 14 93-01	SHORT CIRCUIT CABLE		1
12	574 19 27-01	HANDLE		1
13	574 44 40-01	SCREW ITXSCT		4
14	578 88 36-01	SCREW		2

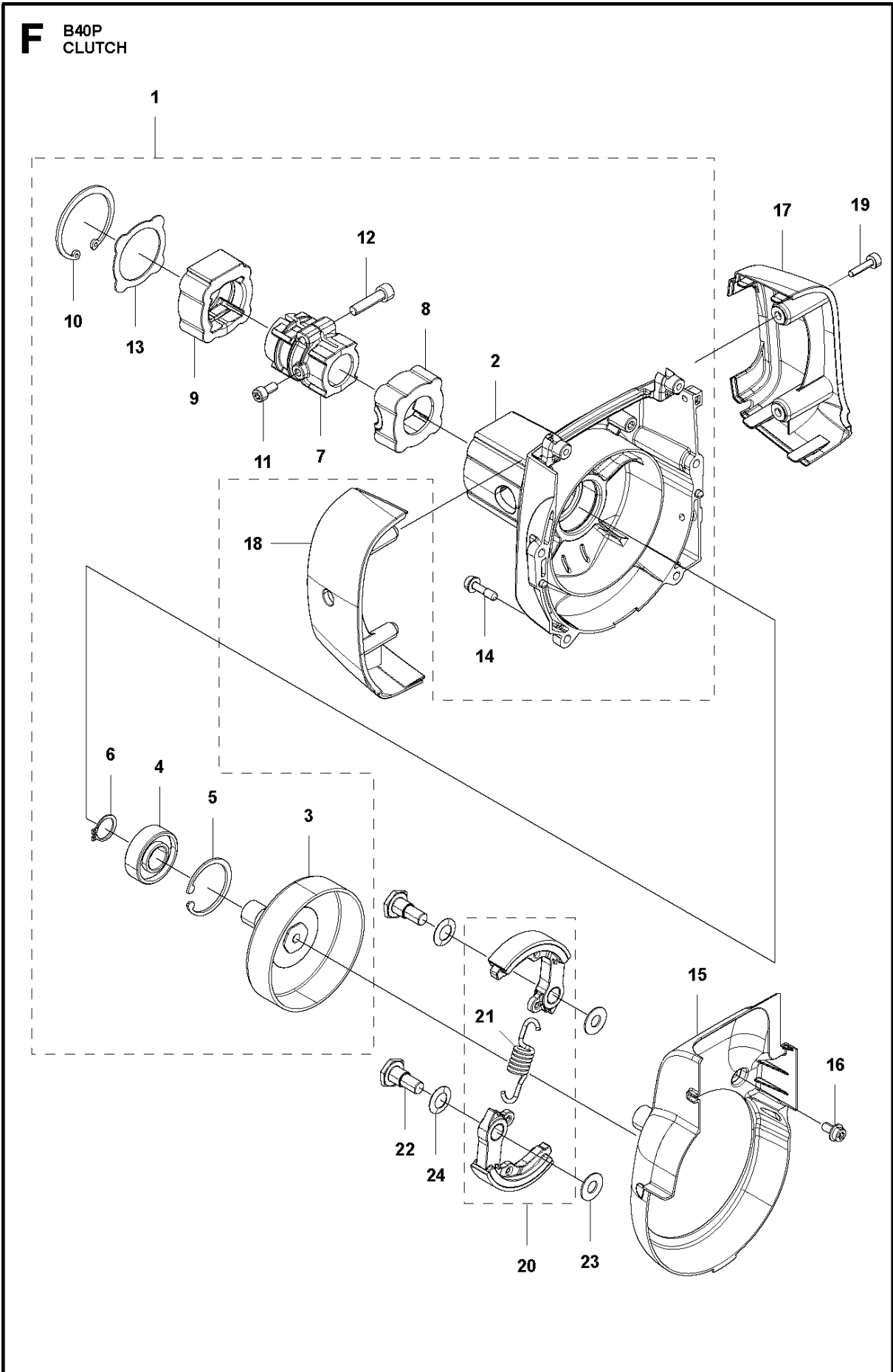
**E** B40P  
FUEL TANK



## FUEL TANK

B40 P, 966778801, 2017-01

Ref	Part No	Description	Remark	QTY	KIT
1	578 96 61-01	FUEL TANK		1	
2	580 92 68-01	TANK CAP ASSY		1	1
3	574 16 60-01	HUB CAP		1	1, 2
4	580 92 67-01	GASKET		1	1, 2
5	574 16 19-01	HOLDER		1	1, 2
6	577 50 99-01	PIPE		1	1
7	515 38 73-01	BREATHER		1	1
8	506 61 46-01	FILTER		1	1
9	506 70 70-01	CLIP		1	1
10	578 30 25-01	SKID PLATE		1	
11	521 51 69-01	BOLT		4	

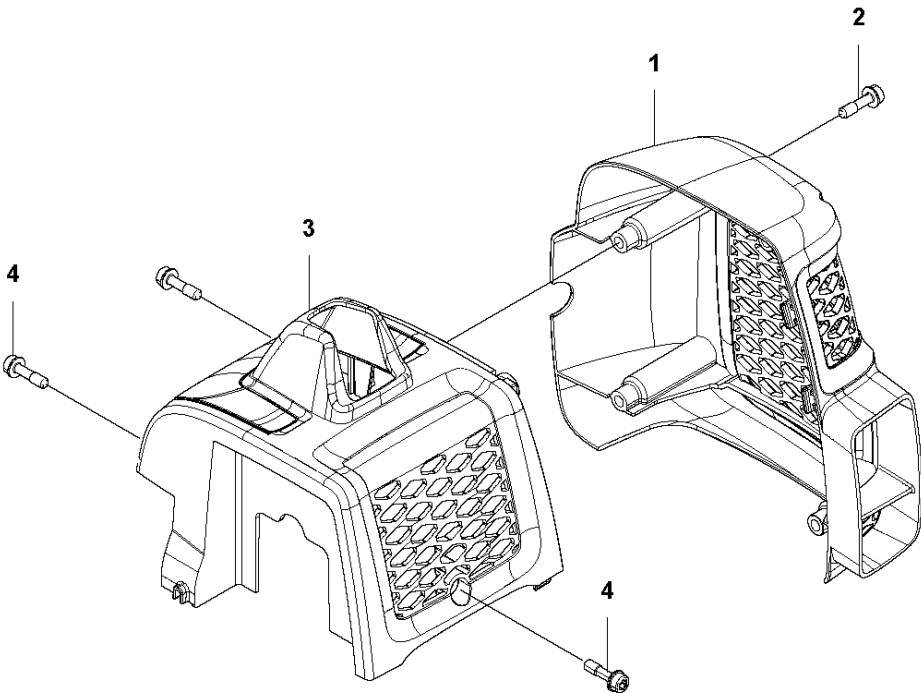


## CLUTCH

B40 P, 966778801, 2017-01

Ref	Part No	Description	Remark	QTY	KIT
1	579 17 99-01	HOUSING		1	
2	578 33 14-01	CLUTCH		1	1
3	505 29 38-01	DRUM		1	1
4	516 13 17-01	BALL BEARING		1	1
5	502 84 93-01	SNAP RING		1	1
6	516 12 42-01	RING		1	1
7	578 33 15-01	CLAMP		1	1
8	521 65 46-01	ABSORBER		1	1
9	521 65 47-01	ABSORBER		1	1
10	516 12 64-01	RING		1	1
11	504 11 96-01	SCREW		1	1
12	521 51 75-01	BOLT		1	1
13	521 65 49-01	SPACER		1	1
14	577 94 23-01	BOLT		4	1
15	578 32 58-01	FAN COVER		1	
16	521 51 59-01	BOLT		2	
17	578 30 18-01	COVER		1	
18	578 30 19-01	COVER		1	
19	574 44 40-01	SCREW ITXSCT		2	
20	521 63 64-01	SHOE		1	
21	521 52 34-01	SPRING		1	20
22	505 29 78-01	SCREW		2	
23	505 29 80-01	WASHER		2	
24	505 29 81-01	WASHER		2	

**G** B40P  
CYLINDER COVER

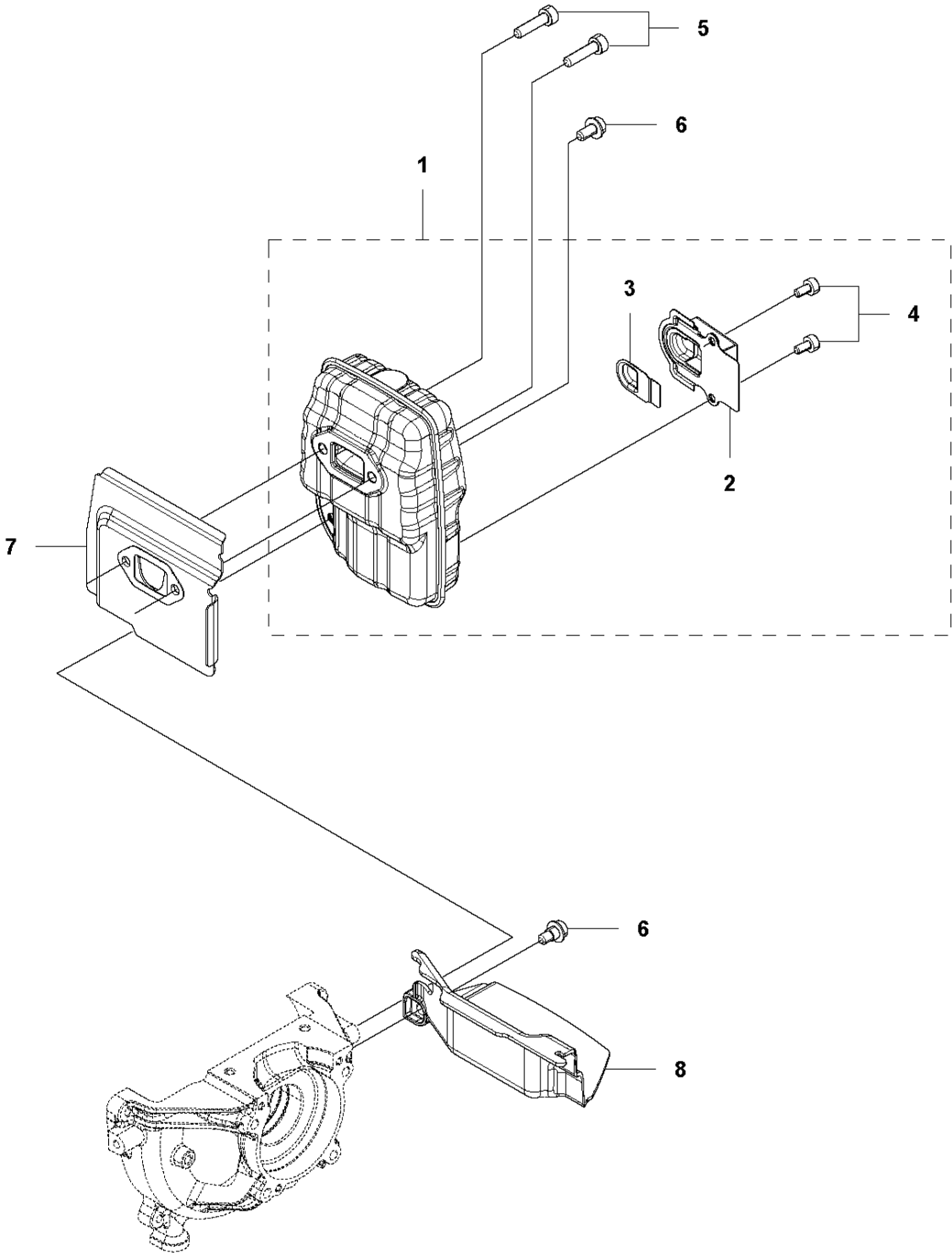


CYLINDER COVER

B40 P, 966778801, 2017-01

Ref	Part No	Description	Remark	QTY KIT
1	578 30 17-01	MUFFLER GUARD		1
2	577 81 54-02	BOLT		4
3	578 30 20-01	CYLINDER COVER		1
4	577 81 54-02	BOLT		3

**H** B40P  
MUFFLER



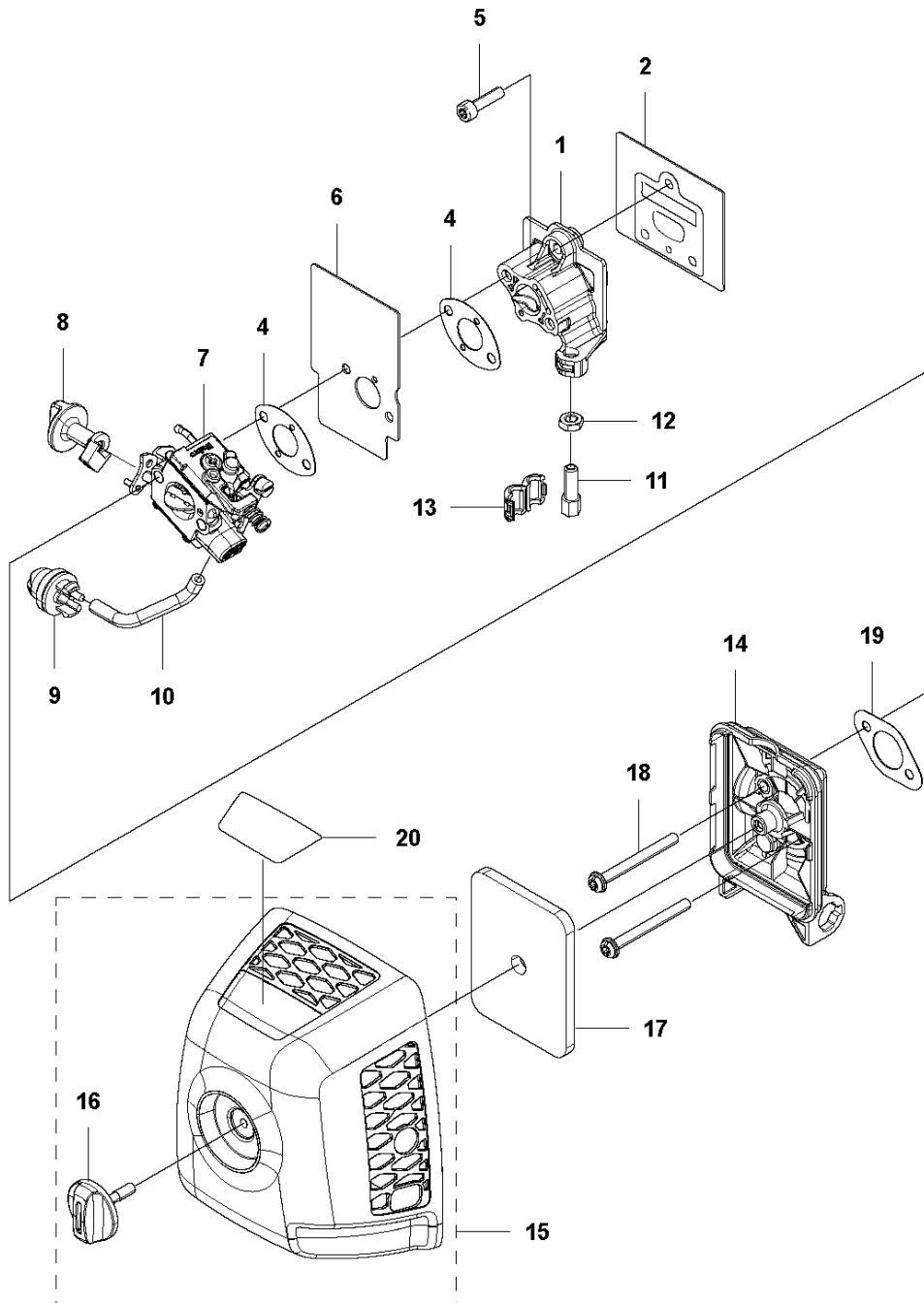


MUFFLER

B40 P, 966778801, 2017-01

Ref	Part No	Description	Remark	QTY	KIT
1	576 78 50-01	MUFFLER		1	
2	521 62 34-01	GUIDE		1	1
3	521 62 30-01	ARESTER		1	1
4	544 36 27-01	BOLT		2	1
5	504 11 43-01	SCREW		2	
6	521 51 59-01	BOLT		2	
7	577 80 41-01	GASKET		1	
8	586 34 84-01	MUFFLER GUARD		1	

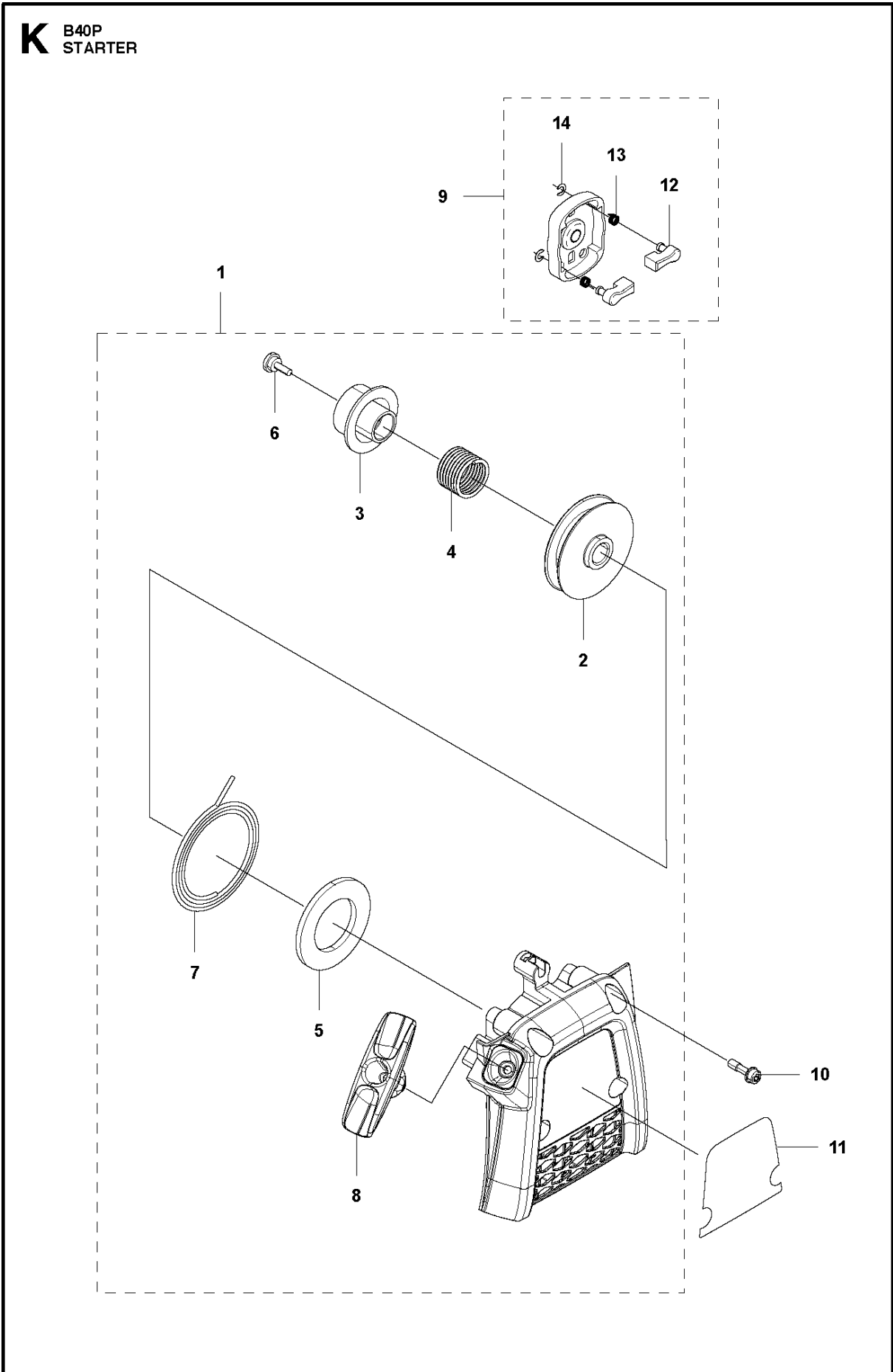
**J** B40P  
CARBURETOR & AIRFILTER



## CARBURETOR &amp; AIR FILTER

B40 P, 966778801, 2017-01

Ref	Part No	Description	Remark	QTY	KIT
1	576 68 58-01	INSULATOR		1	
2	585 99 66-01	GASKET		1	
4	577 67 38-01	GASKET		2	
5	506 68 90-01	BOLT		3	
6	579 44 59-01	PLATE		1	
7	586 49 10-01	CARBURETTOR		1	
8	577 13 31-02	CHOKE CONTROL		1	
9	503 93 66-01	PURGE		1	
10	577 50 95-01	TUBE		1	
11	577 17 72-01	SCREW		1	
12	580 51 78-01	NUT		1	
13	577 13 32-01	JOINT		1	
14	576 68 55-01	FILTER HOUSING		1	
15	579 18 00-01	FILTER COVER		1	
16	537 21 32-01	KNOB		1	15
17	577 92 67-01	AIR FILTER		1	
18	521 51 55-01	SCREW		2	
19	577 88 24-02	GASKET		1	
20	578 33 22-01	DECAL		1	

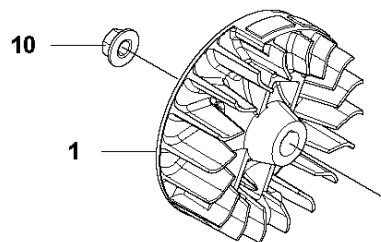
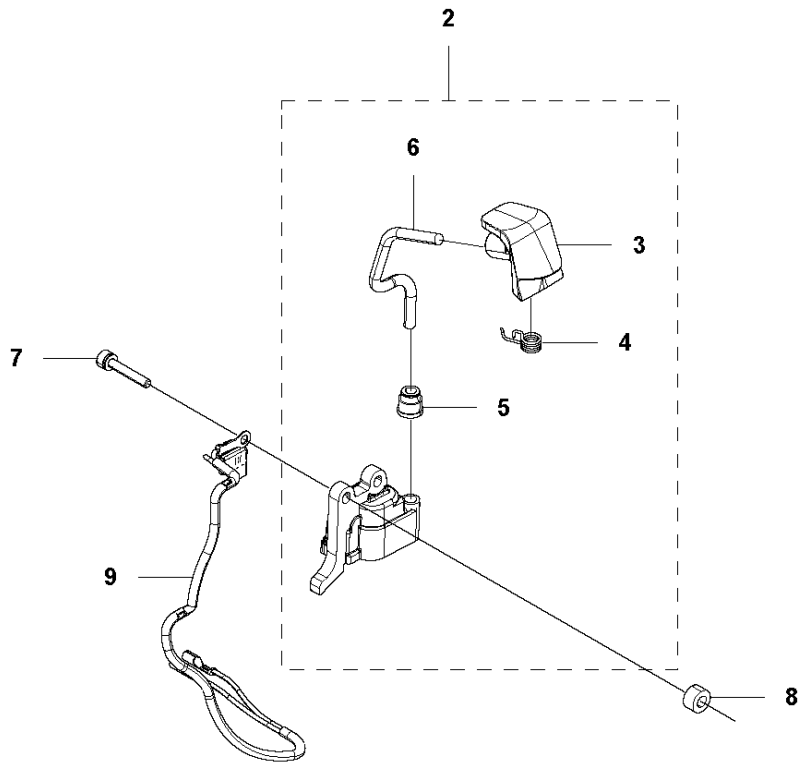


## STARTER

B40 P, 966778801, 2017-01

Ref	Part No	Description	Remark	QTY	KIT
1	581 61 23-01	STARTER		1	
2	579 11 08-01	STARTER PULLEY		1	1
3	521 61 85-01	PLATE		1	1
4	521 61 84-01	SPRING		1	1
5	579 11 09-01	SPIRAL SPRING		1	1
6	515 36 71-01	SCREW		1	1
7	579 11 10-01	STARTER ROPE		1	1
8	576 37 46-01	STARTER HANDLE		1	1
9	579 11 11-01	PULLEY		1	
10	577 81 54-02	BOLT		4	
11	579 23 69-01	DECAL		1	
12	580 73 69-01	RATCHET		2	9
13	521 61 87-01	SPRING		2	9
14	513 16 77-01	E-RING		2	9

**L** B40P  
IGNITION SYSTEM

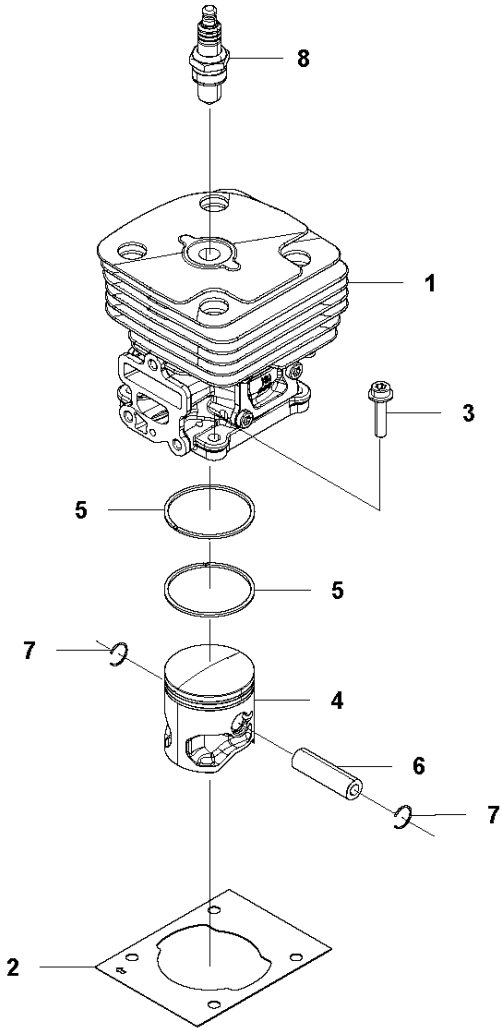


## IGNITION SYSTEM

B40 P, 966778801, 2017-01

Ref	Part No	Description	Remark	QTY	KIT
1	583 91 89-01	FLYWHEEL		1	
2	578 33 51-01	IGNITION MODULE ASSY		1	
3	578 33 16-01	SPARK PLUG CAP		1	2
4	506 65 52-01	SPRING		1	2
5	505 04 28-01	HUB CAP		1	2
6	585 09 48-01	IGNITION CABLE		1	2
7	521 51 58-01	BOLT		2	
8	588 17 14-01	SPACER		2	
9	578 89 40-01	CORD		1	
10	504 11 80-01	NUT		1	

**M** B40P  
CYLINDER & PISTON



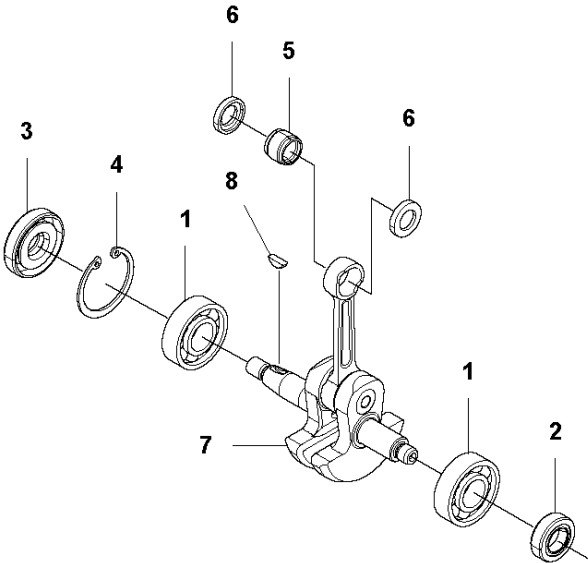


## CYLINDER PISTON

B40 P, 966778801, 2017-01

Ref	Part No	Description	Remark	QTY KIT
1	577 40 95-02	CYLINDER		1
2	521 62 20-01	GASKET		1
3	506 74 52-01	BOLT		4
4	587 45 43-01	PISTON		1
5	510 91 80-01	PISTON RING		2
6	521 52 27-01	PEN		1
7	516 28 30-01	RING		2
8	528 07 40-01	SPARK PLUG		1

**N** B40P  
CRANK SHAFT

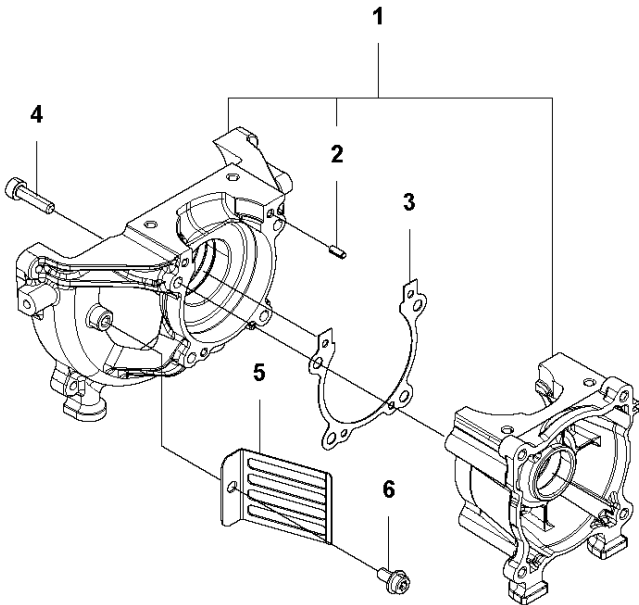


## CRANKSHAFT

B40 P, 966778801, 2017-01

Ref	Part No	Description	Remark	QTY KIT
1	504 12 14-01	BEARING		2
2	504 12 15-01	SEALING		1
3	505 29 67-01	SEAL		1
4	504 12 10-01	SNAP RING		1
5	505 29 73-01	BEARING		1
6	513 75 24-01	WASHER		2
7	521 62 39-01	SHAFT-COMP		1
8	506 68 94-01	KEY		1

**P** B40P  
CRANKCASE

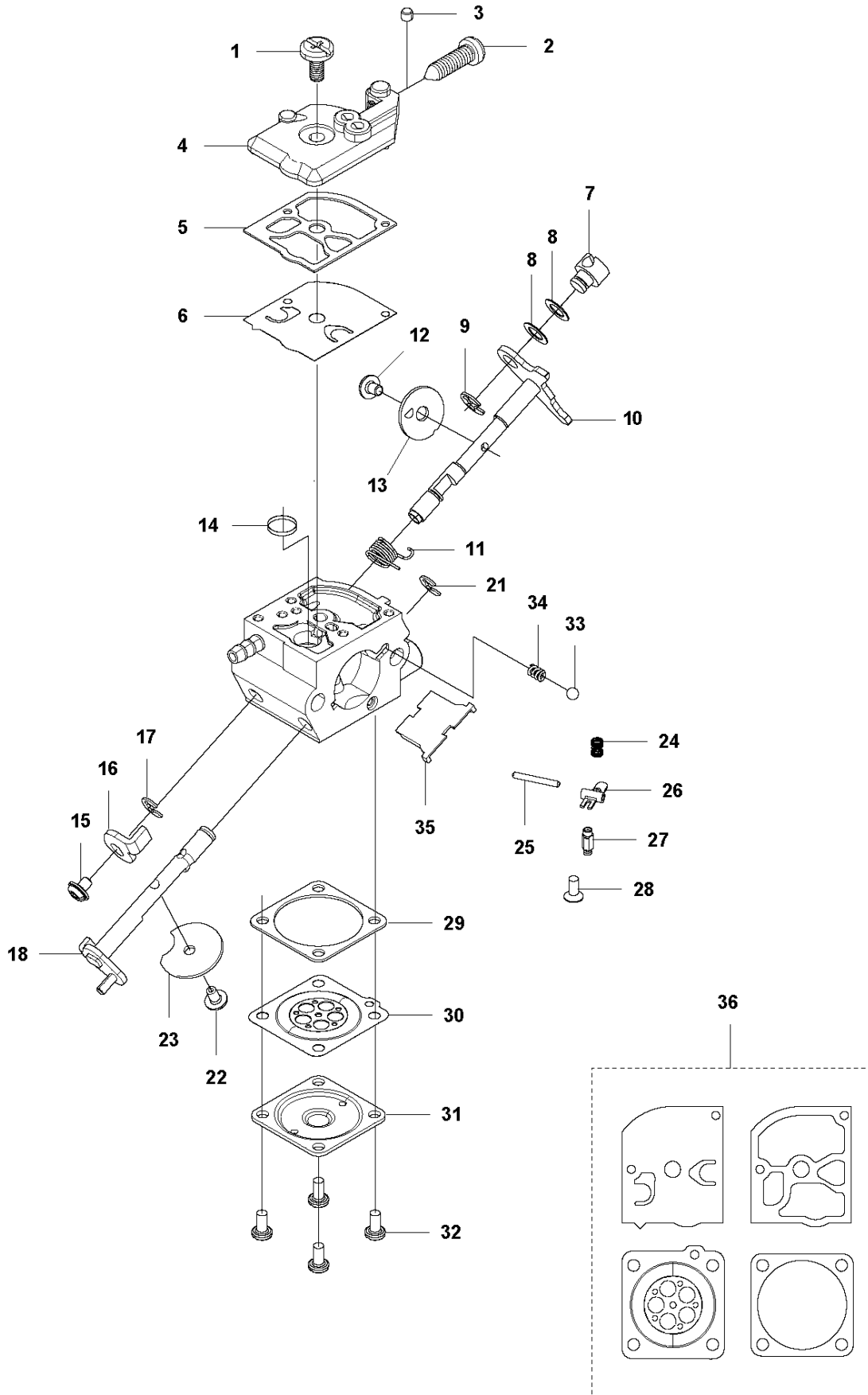


## CRANKCASE

B40 P, 966778801, 2017-01

Ref	Part No	Description	Remark	QTY KIT
1	521 62 35-03	CASE		1
2	505 29 61-01	PIN		3
3	521 62 36-01	GASKET		1
4	504 11 43-01	SCREW		4
5	515 41 26-01	GUARD		1
6	521 51 59-01	BOLT		1

**Q** B40P  
CARBURETOR

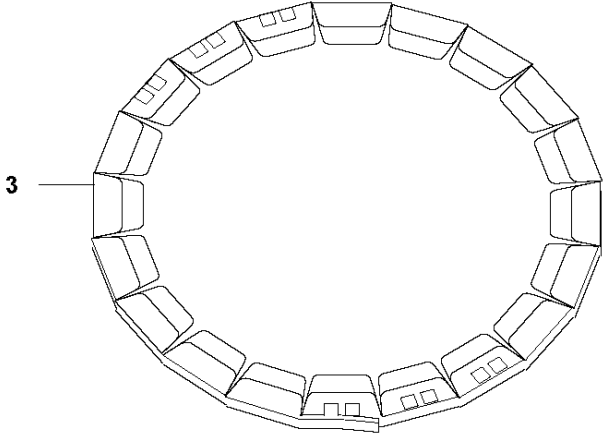
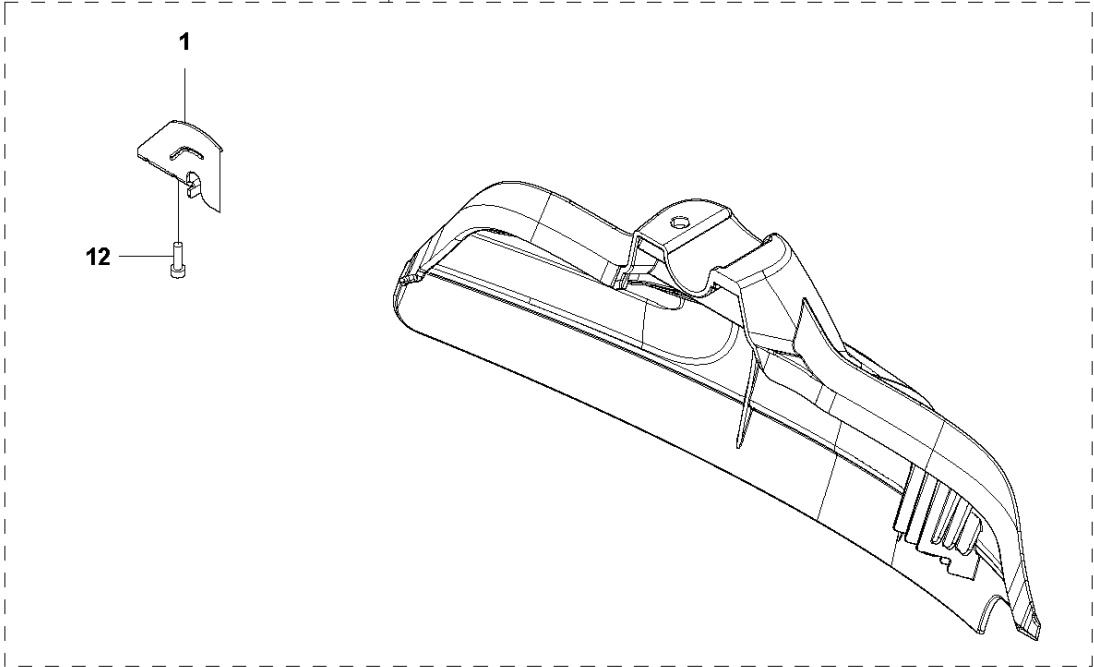
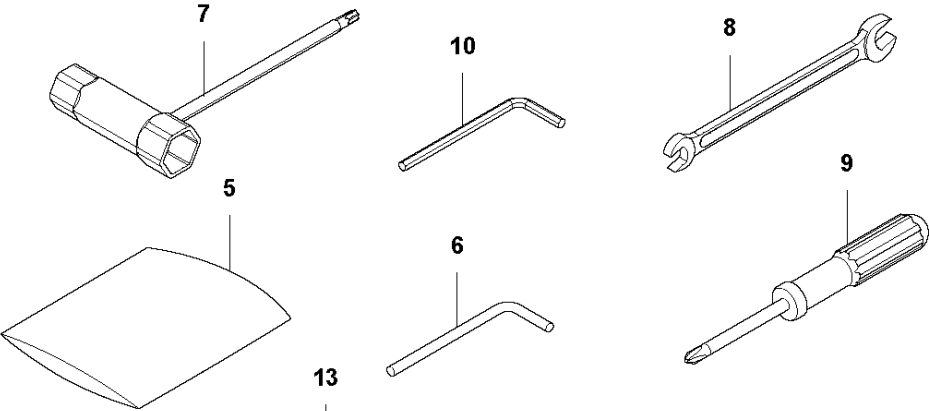


## CARBURETOR

B40 P, 966778801, 2017-01

Ref	Part No	Description	Remark	QTY KIT
1	577 89 93-01	SCREW		1
2	579 63 17-01	SCREW		1
3	578 38 97-01	PLUG		1
4	578 38 98-01	COVER		1
5	577 89 94-01	GASKET		1
6	577 89 95-01	DIAPHRAGM		1
7	586 38 34-01	SWIVEL		1
8	577 90 11-01	GASKET		2
9	577 90 04-01	E-RING		1
10	578 38 95-01	SHAFT		1
11	577 90 06-01	SPRING		1
12	577 89 97-01	SCREW		1
13	587 99 26-01	VALVE		1
14	577 90 03-01	STRAINER		1
15	577 89 97-01	SCREW		1
16	577 90 13-01	LEVER		1
17	577 90 04-01	E-RING		1
18	587 99 30-01	SHAFT		1
21	585 32 02-01	RING		1
22	577 89 97-01	SCREW		1
23	580 31 02-01	VALVE		1
24	579 63 18-01	SPRING		1
25	578 39 06-01	PIN		1
26	578 30 02-01	DRILL BIT SEG		1
27	579 63 19-01	VALVE		1
28	578 39 03-01	SCREW		1
29	577 89 99-01	GASKET		1
30	577 90 01-01	DIAPHRAGM		4
31	577 90 00-01	COVER		1
32	577 90 05-01	SCREW		1
33	577 90 15-01	BALL		1
34	577 90 16-01	SPRING		2
35	577 90 10-01	PLATE		1
36	577 90 18-01	GASKET KIT		1

**R** B40P  
ACCESSORIES



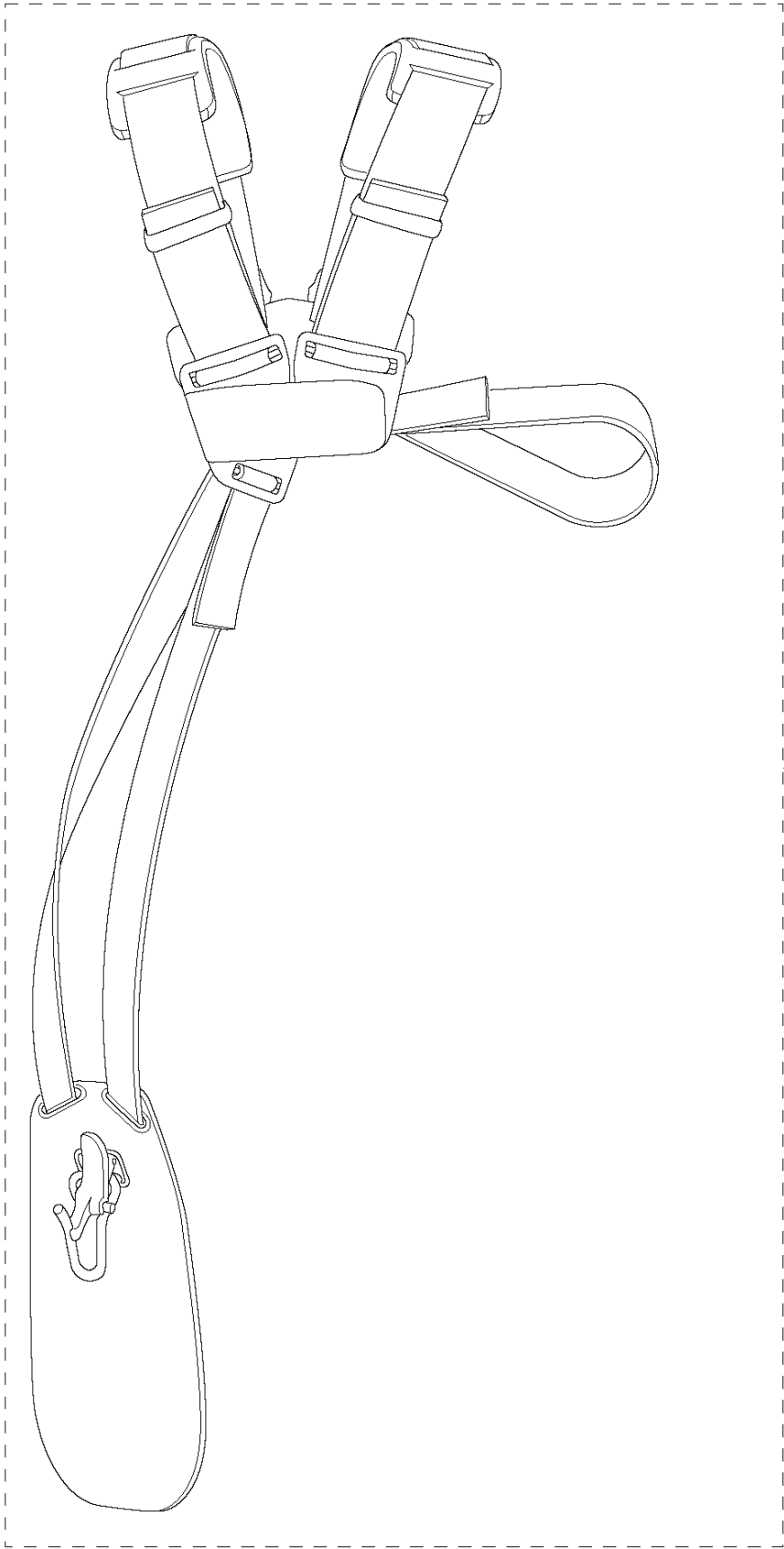


## ACCESSORIES

B40 P, 966778801, 2017-01

Ref	Part No	Description	Remark	QTY	KIT
1	530 05 22-86	LINE		1	13
3	574 35 23-01	COVER		2	
5	506 74 41-01	BAG		1	
6	580 30 91-01	BAR		1	
7	521 53 31-01	SOCKET		1	
8	506 61 50-01	SPANNER		1	
9	506 68 95-01	DRIVER		1	
10	580 47 70-01	WRENCH		1	
12	530 01 58-14	SCREW		2	13
13	580 30 50-01	SHIELD		1	

**S** B40P  
HARNESS



1

Ref	Part No	Description	Remark	QTY KIT
1	544 84 58-02	HARNESS		1