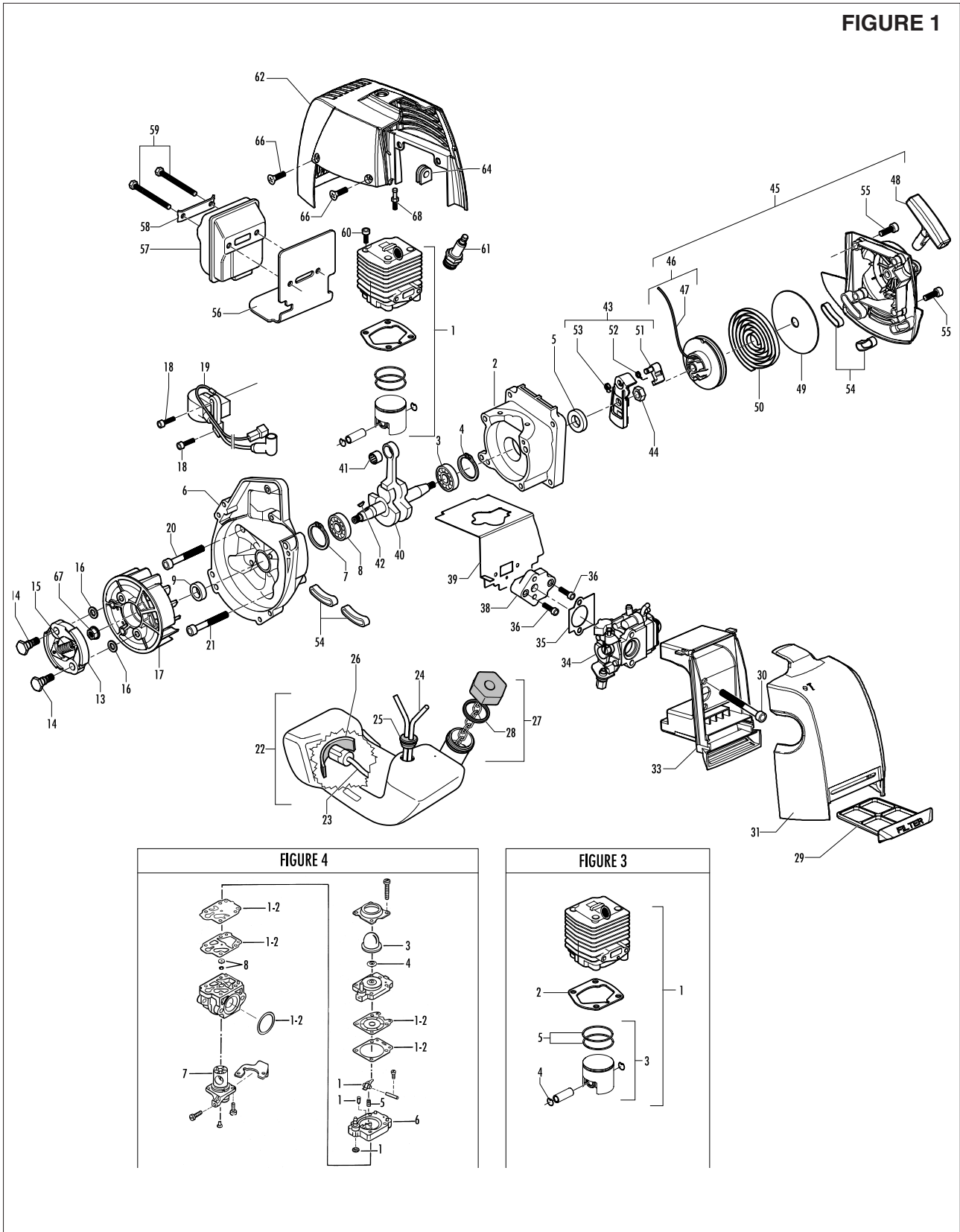


| | |
|-------|------------------|
| brand | MCCULLOCH |
|-------|------------------|

| | | |
|------|--------|-----------|
| date | MAY/03 | SHEET 1/4 |
|------|--------|-----------|

| | |
|--------------------|--------|
| Model | Prefix |
| ELITE 4630X | 02 |
| | |
| | |

| |
|------------------|
| Product number |
| 953900391 |
| |
| |



| | |
|-------|------------------|
| brand | MCCULLOCH |
|-------|------------------|

| | | |
|------|--------|-----------|
| date | MAY/03 | SHEET 2/4 |
|------|--------|-----------|

| | |
|--------------------|--------|
| Model | Prefix |
| ELITE 4630X | 02 |
| | |
| | |

| |
|------------------|
| Product number |
| 953900391 |
| |
| |

FIGURE 1

| pos | P/N McC | P/N ELX | Qty | DESCRIPTION |
|------|-----------------|-----------|-----|---------------------------|
| C 1 | FIGURE 3 | | | |
| 2 | 247936 | 538247936 | 1 | Carter kit (starter) |
| 3 | ● 235900 | 538235900 | 1 | ball bearing 6002 15/32/9 |
| 4 | ● 235899 | 538235899 | 1 | seeger ring |
| C 5 | ● 228872 | 538228872 | 1 | seal 13-32-5 (S7) |
| 6 | 247935 | 538247935 | 1 | Carter kit (flyweel) |
| 7 | ● 235899 | 538235899 | 1 | seeger ring |
| 8 | ● 235900 | 538235900 | 1 | ball bearing 6002 15/32/9 |
| C 9 | ● 228872 | 538228872 | 1 | seal 13-32-5 (S7) |
| B 13 | 248808 | 538248808 | 1 | clutch assy |
| 14 | ● 242369 | 538242369 | 2 | clutch rod |
| C 15 | ● 241270 | 538241270 | 1 | clutch spring elite |
| 16 | 236956 | 538236956 | 2 | washer |
| 17 | 241240 | 538241240 | 1 | flywheel |
| 18 | 235806 | 538235806 | 2 | screw M5 X 20 TCE |
| C 19 | 242783 | 538242783 | 1 | ignition coil |
| 20 | 235808 | 538235808 | 2 | screw M5 X 50 TCE |
| 21 | 235804 | 538235804 | 2 | screw M5x30 |
| C 22 | 241541 | 538241541 | 1 | tank mix ass. |
| B 23 | ● 229809 | 538229809 | 1 | hose-fuel mm245 |
| B 24 | ● 229743 | 538229743 | 1 | hose fuel mm150 |
| C 25 | ● 235675 | 538235675 | 1 | fueltank grommet |
| A 26 | 240452 | 538240452 | 1 | pick up fuel |
| B 27 | 242484 | 538242484 | 1 | fuel cap assy |
| A 28 | ● 236564 | 538236564 | 1 | cap gasket |
| B 29 | 242581 | 538242581 | 1 | air filter |
| 30 | 235808 | 538235808 | 2 | screw M5 X 50 TCE |
| 31 | 242580 | 538242580 | 1 | air filter cover |
| 33 | 249136 | 538249136 | 1 | box air filter |
| C 34 | FIGURE 4 | | | |
| A 35 | 241281 | 538241281 | 1 | gasket |
| 36 | 235806 | 538235806 | 2 | screw M5 X 20 TCE |
| C 38 | 241481 | 538241481 | 1 | carb. Spacer |
| C 39 | 241428 | 538241428 | 1 | gasket |
| 40 | 241267 | 538241267 | 1 | crankshaft |
| C 41 | 227329 | 538227329 | 1 | bearing-needle |
| C 42 | 227631 | 538227631 | 1 | key |
| 43 | 242800 | 538242800 | 1 | starter pawl ass'y |
| 44 | 235218 | 538235218 | 1 | nut M8 |
| C 45 | 242623 | 538242623 | 1 | starter assy |
| B 46 | ● 249163 | 538249163 | 1 | pulley/rope |
| A 47 | ●● 227703 | 538227703 | 1 | rope |
| 48 | ● 240884 | 538240884 | 1 | starter-handle |

| pos | P/N McC | P/N ELX | Qty | DESCRIPTION |
|------|----------|-----------|-----|-------------------------|
| 49 | ● 227467 | 538227467 | 1 | shield spring |
| B 50 | ● 227300 | 538227300 | 1 | spring rewind |
| B 51 | ● 241781 | 538241781 | 1 | pawl |
| B 52 | ● 241782 | 538241782 | 1 | spring |
| 53 | ● 111088 | 538111088 | 1 | snap ring |
| 54 | 242632 | 538242632 | 4 | grommet fuel tank elite |
| 55 | 236527 | 538236527 | 4 | screw M6x16 |
| C 56 | 242645 | 538242645 | 1 | gasket |
| C 57 | 241432 | 538241432 | 1 | muffler assy elite |
| 58 | ● 227236 | 538227236 | 1 | clamp |
| 59 | ● 227274 | 538227274 | 2 | screw M5X60 |
| 60 | 227565 | 538227565 | 4 | screw M5X25 |
| A 61 | 92878 | 538092878 | 1 | spark RDJ8J |
| 62 | 242583 | 538245283 | 1 | engine cover |
| 64 | 236322 | 538236322 | 1 | grommet |
| 66 | 240688 | 538240688 | 2 | screw + washer M5X14 |
| 67 | 235218 | 538235218 | 1 | nut |
| 68 | 94273 | 538094273 | 1 | valve-comp release |

FIGURE 3 46cc

| pos | P/N McC | P/N ELX | Qty | DESCRIPTION |
|-----|-----------|-----------|-----|------------------------|
| C 1 | 247934 | 538247934 | 1 | cylind/pist Kit 46 cc |
| B 2 | ● 241431 | 538241431 | 1 | cil. gasket |
| B 3 | ● 247258 | 538247258 | 1 | piston kit 46 cc |
| 4 | ●● 229544 | 538229544 | 2 | retaining ring |
| B 5 | ●● 240353 | 538240353 | 1 | piston ring 46cc.(1pc) |

FIGURE 4 WALBRO WYJ 183A

| pos | P/N McC | P/N ELX | Qty | DESCRIPTION |
|-----|-----------|-----------|-----|----------------------|
| C - | 241268 | 538241268 | 1 | carburettor WJY 183A |
| B 1 | ● 247955 | 538247955 | 1 | repair kit K20 WYJ |
| A 2 | ●● 247956 | 538247956 | 1 | gasket kit D20 WYJ |
| C 3 | ● 225834 | 538225834 | 1 | primer |
| C 4 | ● 247957 | 538247957 | 1 | valve |
| C 5 | ● 247958 | 538247958 | 1 | spring |
| C 6 | ● 247962 | 538247962 | 1 | pumping body |
| C 7 | ● 247961 | 538247961 | 1 | valve |
| C 8 | ● 247959 | 538247960 | 1 | jet |

A= ALTA ROTAZIONE
B=MEDIA ROTAZIONE
C=BASSA ROTAZIONE

A=HIGH MOVING
B=MEDIUM MOVING
C=SLOW MOVING

A=HAUTE DEMANDE
B=MOYENNE DEMANDE
C=BASSE DEMANDE

A=GROBE NACHFRAGE
B=MITTELMAEBIGE
C=WENIGE NACHFRAGE

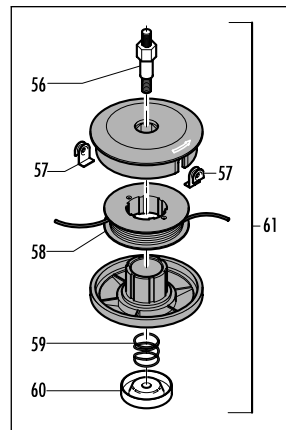
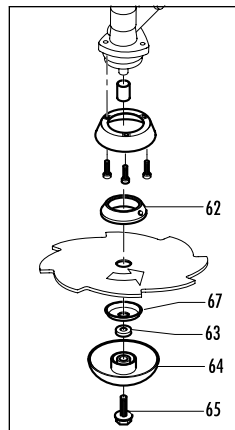
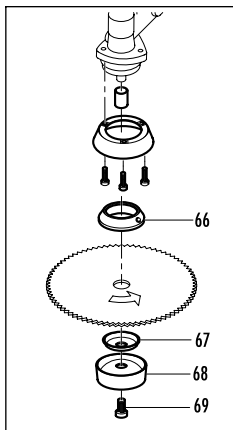
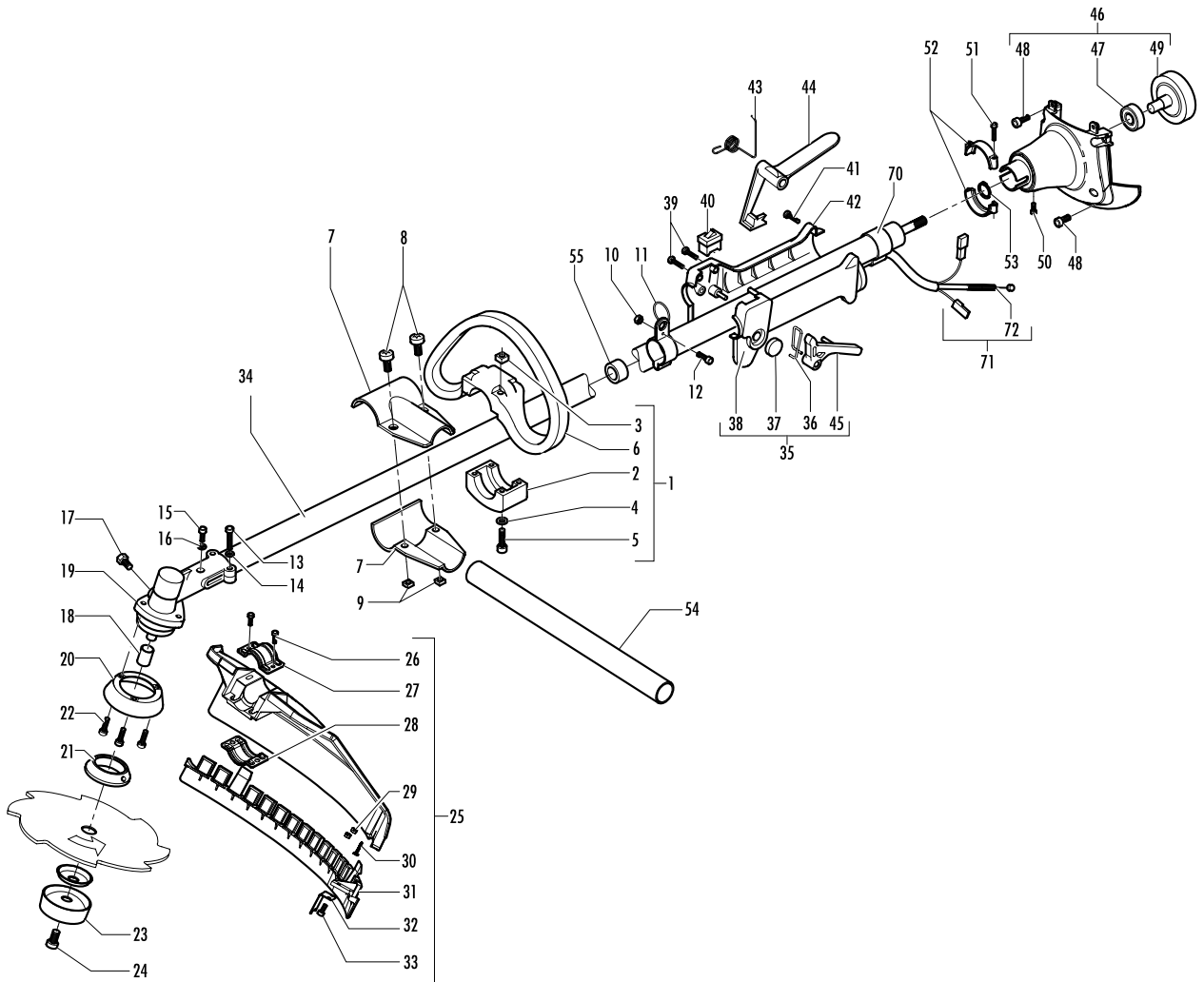
| | |
|-------|------------------|
| brand | MCCULLOCH |
|-------|------------------|

| | | |
|------|--------|-----------|
| date | MAY/03 | SHEET 3/4 |
|------|--------|-----------|

| | |
|--------------------|--------|
| Model | Prefix |
| ELITE 4630X | 02 |
| | |
| | |

| |
|------------------|
| Product number |
| 953900391 |
| |
| |

FIGURE 2



| | |
|-------|------------------|
| brand | MCCULLOCH |
|-------|------------------|

| | | |
|------|--------|-----------|
| date | MAY/03 | SHEET 4/4 |
|------|--------|-----------|

| | |
|--------------------|--------|
| Model | Prefix |
| ELITE 4630X | 02 |
| | |
| | |

| |
|------------------|
| Product number |
| 953900391 |
| |
| |

FIGURE 2

| pos | P/N McC | P/N ELX | Qty | DESCRIPTION |
|-----|----------|-----------|-----|---------------------|
| 1 | 236999 | 538236999 | 1 | loop handle ass'y |
| 2 | • 236809 | 538236809 | 1 | clamp |
| 3 | • 236642 | 538236642 | 4 | nut M6 |
| 4 | • 236936 | 538236936 | 4 | washer |
| 5 | • 228320 | 538228320 | 4 | screw M6x45 |
| 7 | 240682 | 538240682 | 2 | protection clamp |
| 8 | 235911 | 538235911 | 2 | screw M6x12 |
| 9 | 236642 | 538236642 | 2 | nut M6 |
| 10 | 236642 | 538236642 | 1 | nut |
| 11 | 237783 | 538237783 | 1 | harness ring ass'y |
| 12 | 235911 | 538235911 | 1 | screw m6x12 |
| 13 | 235804 | 538235804 | 2 | screw m5x30 |
| 14 | 236529 | 538236529 | 2 | grower d.5 |
| 15 | 236381 | 538236381 | 1 | screw m5x10 |
| 16 | 236529 | 538236529 | 1 | grower d.5 |
| 17 | 240151 | 538240151 | 1 | screw M 8x10 |
| 18 | 247272 | 538247272 | 1 | spacer |
| 19 | 240824 | 538240824 | 1 | gear box ass'y |
| 20 | 240767 | 538240767 | 1 | flange guard |
| 21 | 242410 | 538242410 | 1 | flange |
| 22 | 240688 | 538240688 | 3 | screw/washer |
| 23 | 236596 | 538236596 | 1 | hub |
| 24 | 241155 | 538241155 | 1 | string head shield |
| 25 | 248960 | 538248960 | 1 | d. 30 safety guard |
| 26 | • 229077 | 538229077 | 2 | M5X18 screw |
| 27 | • 242636 | 538242636 | 1 | clamp upper |
| 28 | • 242752 | 538242752 | 1 | clamp lower |
| 29 | • 229208 | 538229208 | 2 | M5 nut |
| 30 | • 240862 | 538240862 | 1 | screw 4x18 |
| 31 | • 242630 | 538242630 | 1 | string head guard |
| 32 | • 241973 | 538241973 | 1 | cutter |
| 33 | • 235802 | 538235802 | 1 | M5X14 screw |
| 34 | 240830 | 538240830 | 1 | shaft 30X1455 compl |
| 35 | 242721 | 538242721 | 1 | handle ass'y |
| 36 | • 235932 | 538235932 | 1 | spring |
| 37 | • 241297 | 538241297 | 1 | cap |
| 38 | • 240040 | 538240040 | 1 | handle kit |
| 39 | • 240617 | 538240617 | 1 | screw 3x20 |
| 40 | • 236394 | 538236394 | 1 | switch |
| 41 | • 240618 | 538240618 | 2 | screw 3x16 |
| 42 | • 240039 | 538240039 | 1 | handle ass'y |

| pos | P/N McC | P/N ELX | Qty | DESCRIPTION |
|-----|-----------|-----------|-----|-----------------------|
| 43 | • 240043 | 538240043 | 1 | spring |
| 44 | • 240041 | 538240041 | 1 | safety trigger |
| 45 | • 240042 | 538240042 | 1 | trigger |
| 46 | 242625 | 538242625 | 1 | a/v mount ass'y |
| 47 | • 235918 | 538235918 | 1 | bearing |
| 48 | • 242784 | 538242784 | 4 | screw M5 X 25 TCE |
| 49 | • 227284 | 538227284 | 1 | clutch drum |
| 50 | • 235802 | 538235802 | 1 | screw M5x14 |
| 51 | 235804 | 538235804 | 2 | screw M5x30 |
| 52 | 248805 | 538248805 | 1 | clamp ass'y |
| 53 | 236378 | 538236378 | 1 | snap ring |
| 54 | 246864 | 538246864 | 1 | protection |
| 55 | 228192 | 538228192 | 1 | bushing |
| 56 | 240850 | 538240850 | 1 | M10 Rod |
| 57 | 241154 | 538241154 | 2 | eyelet |
| 58 | 538248990 | 538248990 | 1 | D3 spool+line |
| 59 | 240852 | 538240852 | 1 | spring |
| 60 | 241153 | 538241153 | 1 | S. Head nut |
| 61 | 538242506 | 538242506 | 1 | D 3 string head ass'y |
| 62 | 242410 | 538242410 | 1 | flange |
| 63 | 240807 | 538240807 | 1 | spacer |
| 64 | 240809 | 538240809 | 1 | hub ass'y |
| 65 | 240806 | 538240806 | 1 | rod |
| 66 | 240936 | 538240936 | 1 | flange |
| 67 | 229834 | 538229834 | 1 | flange |
| 68 | 236596 | 538236596 | 1 | hub |
| 69 | 229842 | 538229842 | 1 | nut |
| 70 | 229849 | 538229849 | 2 | retaining ring |
| 71 | 242722 | 538242722 | 1 | wires ass'y |
| 72 | • 242723 | 538242723 | 1 | throttle cable |

A= ALTA ROTAZIONE
B=MEDIA ROTAZIONE
C=BASSA ROTAZIONE

A=HIGH MOVING
B=MEDIUM MOVING
C=SLOW MOVING

A=HAUTE DEMANDE
B=MOYENNE DEMANDE
C=BASSE DEMANDE

A=GROÙE NACHFRAGE
B=MITTELMAÙßIGE
C=WENIGE NACHFRAGE