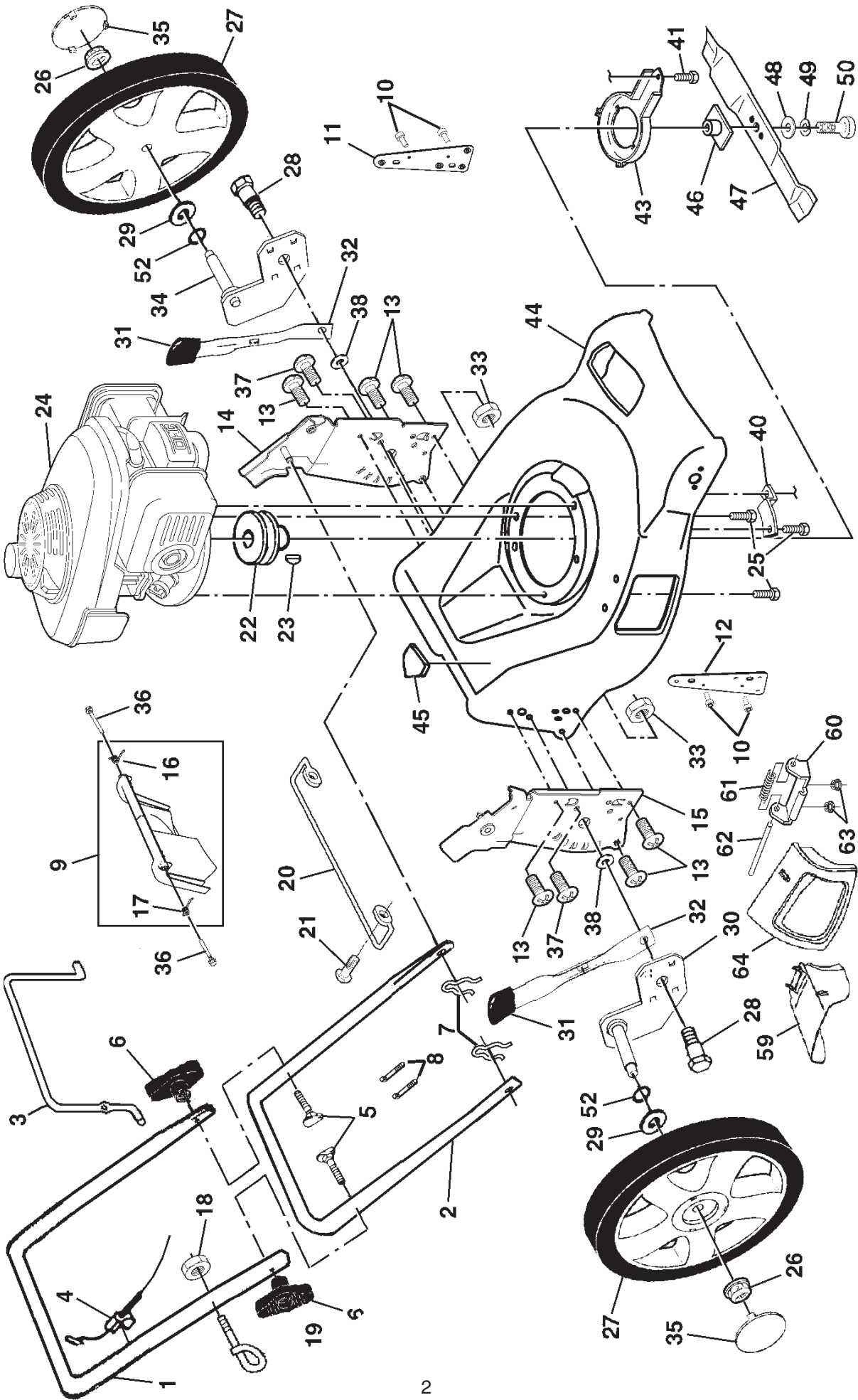


ILLUSTRATED PARTS BREAKDOWN

**ELECTROLUX
6.5 HORSEPOWER
21" MULTI-CUT LAWN MOWER
MODEL NUMBER 5553SD (PP5553HW3G)
964 77 03-00**

ROTARY LAWN MOWER - - MODEL NUMBER 5553SD (PP5553HW3G) PRODUCT NUMBER 964 77 03-00

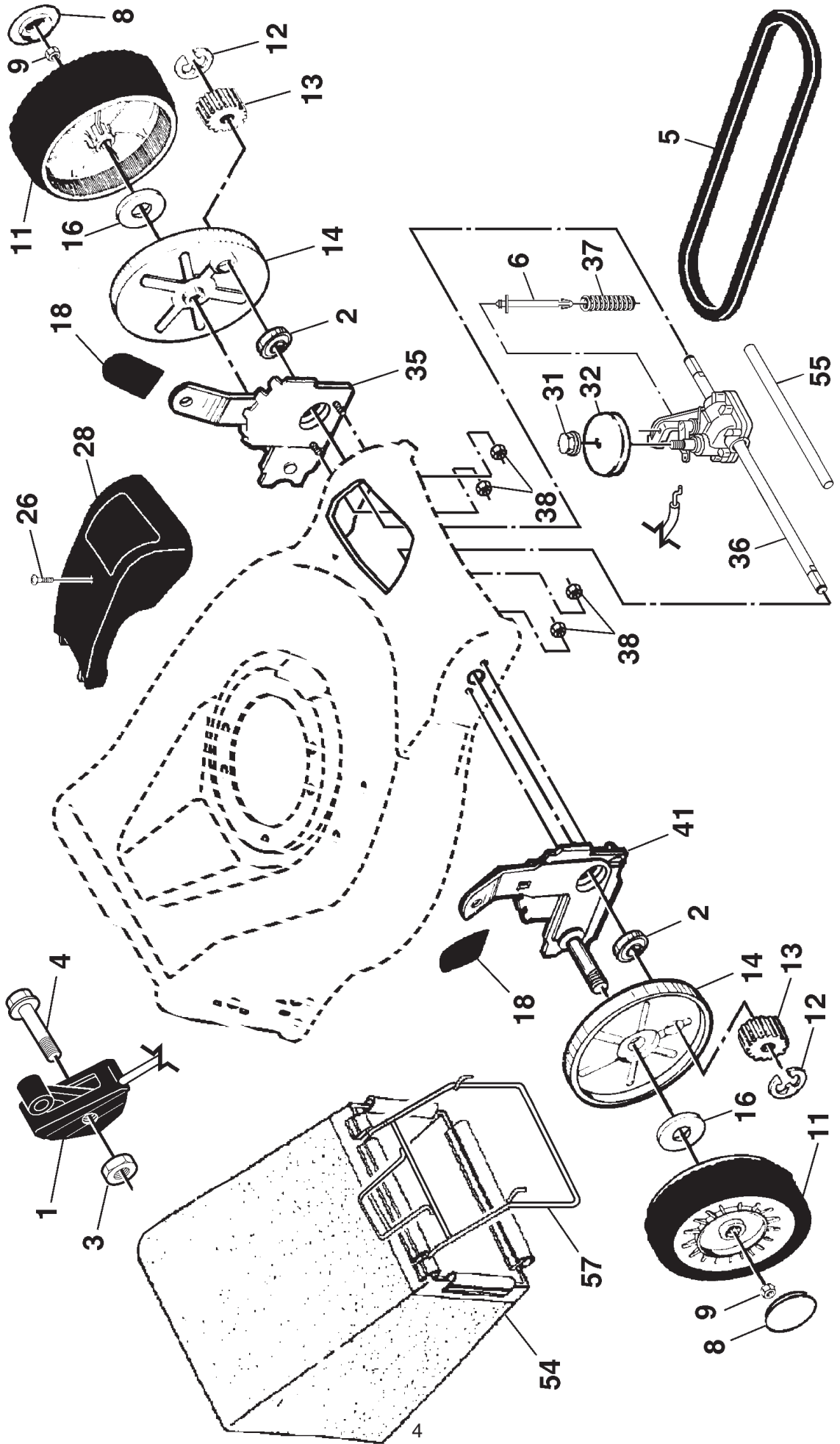


ROTARY LAWN MOWER - - MODEL NUMBER 5553SD (PP5553HW3G) PRODUCT NUMBER 964 77 03-00

| KEY NO. | PART NO. | DESCRIPTION | KEY NO. | PART NO. | DESCRIPTION |
|---------|---------------------|---|---------|---------------------|---|
| 1 | 532 17 80-67 | Upper Handle | 31 | 532 17 54-78 | Selector Knob |
| 2 | 532 15 36-05 | Lower Handle | 32 | 532 18 25-37 | Selector Spring |
| 3 | 532 19 00-60 | Control Bar | 33 | 873 80 05-00 | Nut, Hex 5/16-18 |
| 4 | 532 18 27-55 | Engine Zone Control Cable | 34 | 532 18 25-42 | Axle Arm Assembly, LR |
| 5 | 532 19 15-74 | Handle Bolt | 35 | 532 19 25-19 | Hubcap |
| 6 | 532 19 13-90 | Handle Knob | 36 | 532 18 41-93 | Bolt |
| 7 | 532 05 17-93 | Hairpin Cotter | 37 | 532 15 00-78 | Thread Cutting Screw w/Sems 5/16-18 x 3/4 |
| 8 | 532 06 64-26 | Wire Tie | 38 | 819 11 22-06 | Washer |
| 9 | 532 18 04-79 | Rear Door Kit (Includes Key Numbers 16 and 17) | 40 | 532 19 09-39 | Mounting Bracket, Debris Shield |
| 10 | 532 12 84-15 | Pop Rivet | 41 | 532 18 80-40 | Screw, Debris Shield |
| 11 | 532 18 25-38 | Support Bracket, LH | 43 | 532 18 87-84 | Debris Shield |
| 12 | 532 18 25-39 | Support Bracket, RH | 44 | 532 18 17-97 | Lawn Mower Housing |
| 13 | 817 06 04-10 | Screw 1/4-20 x 5/8 | 45 | 532 18 21-66 | (Includes Key Numbers 10, 11, 12 and 45) |
| 14 | 532 18 25-43 | Handle Bracket Assembly, LH | 46 | 532 18 46-32 | Danger Decal |
| 15 | 532 18 25-45 | Handle Bracket Assembly, RH | 47 | 532 16 58-33 | Blade Adapter |
| 16 | 532 18 00-71 | Spring, LH | 48 | 532 85 10-74 | Blade 21" |
| 17 | 532 18 00-72 | Spring, RH | 49 | 532 85 02-63 | Hardened Washer |
| 18 | 532 13 20-04 | Keps Locknut 1/4-20 | 50 | 532 85 10-84 | Helical Washer 3/8-24 x 1-3/8 Grade 8 |
| 19 | 532 17 95-85 | Rope Guide | 52 | 532 18 81-52 | Hex Head Machine Screw 3/8-24 x 1-3/8 Grade 8 |
| 20 | 532 17 92-05 | Foot Guard, C.E. | 59 | 532 17 50-71 | O-Ring |
| 21 | 532 05 45-83 | Screw, Tapping 1/4-20 x 1/2 | 60 | 532 17 57-35 | Clipping Deflector |
| 22 | 532 18 49-41 | Engine Pulley | 61 | 532 17 52-85 | Hinge Bracket Assembly |
| 23 | 532 18 77-23 | Hi-Pro Key | 62 | 532 17 52-85 | Spring |
| 24 | --- | Engine, Honda, Model Number GCV160 (order parts from engine manufacturer) | 63 | 532 17 56-50 | Rod, Hinge |
| 25 | 532 15 04-06 | Hex Head Thread Rolling Screw 3/8-16 x 1-1/8 | 64 | 873 80 04-00 | Locknut 1/4-20 |
| 26 | 532 08 39-23 | Hex Flange Nut | -- | 532 18 21-34 | Mulcher Door |
| 27 | 532 18 17-85 | Wheel | -- | 532 19 13-03 | Decal, Self-Propelled, Internal (not shown) |
| 28 | 532 16 08-28 | Shoulder Bolt 5/16-18 x .33 | -- | 532 19 13-05 | Operator's Manual, European |
| 29 | 532 08 83-48 | Washer, Flat 3/8 | | | Operator's Manual, Scandinavian |
| 30 | 532 18 25-41 | Axle Arm Assembly, RR | | | |

NOTE: All component dimensions given in U.S. inches.
1 inch = 25.4 mm

ROTARY LAWN MOWER - - MODEL NUMBER 5553SD (PP5553HW3G) PRODUCT NUMBER 964 77 03-00



ROTARY LAWN MOWER - - MODEL NUMBER 5553SD (PP5553HW3G) PRODUCT NUMBER 964 77 03-00

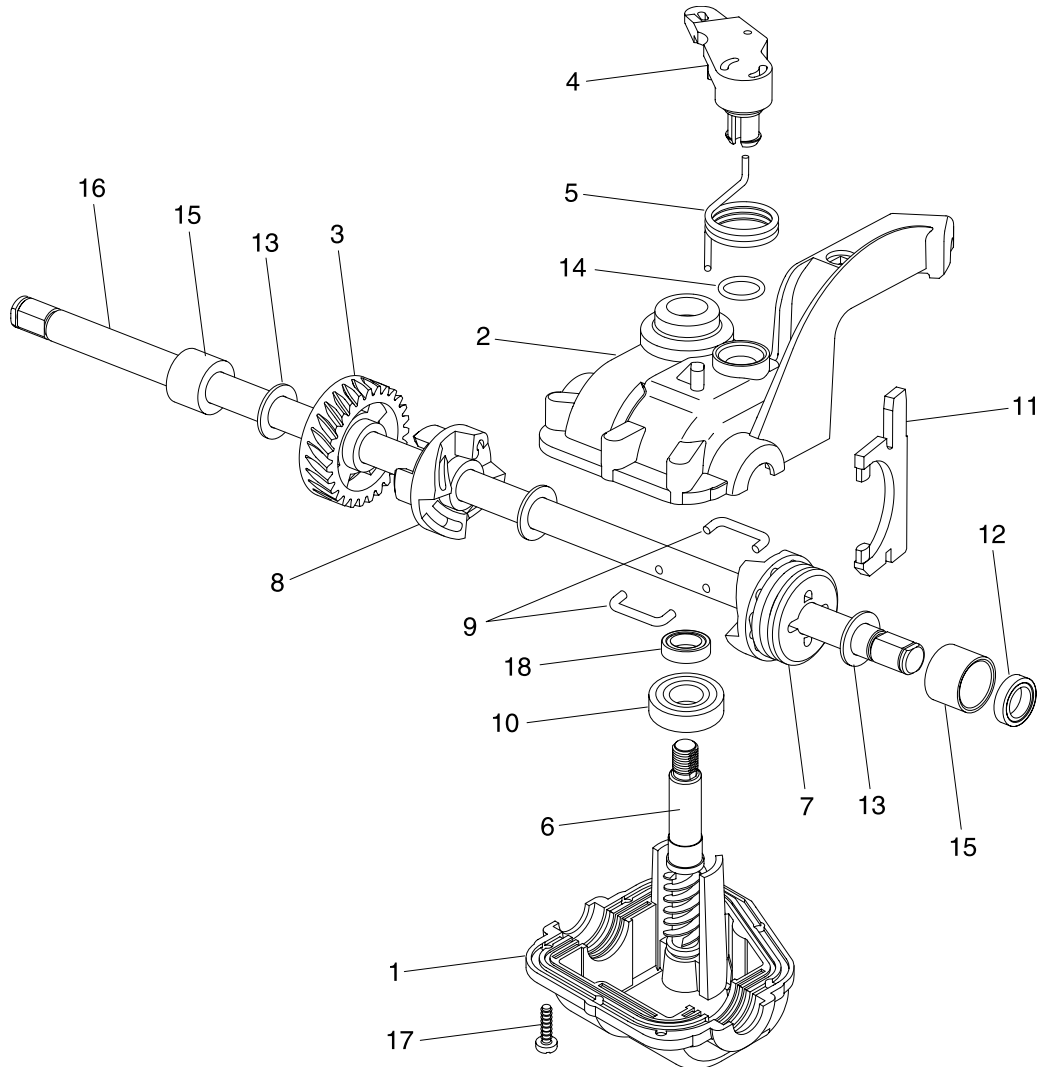
| KEY NO. | PART NO. | DESCRIPTION | KEY NO. | PART NO. | DESCRIPTION |
|---------|---------------------|---------------------------------------|---------|--------------|--|
| 1 | 532 18 45-87 | Control Cable Assembly | 31 | 532 13 20-10 | Hex Flange Nut |
| 2 | 532 16 73-87 | Bearing, Wheel Adjuster | 32 | 532 18 94-07 | Drive Pulley |
| 3 | 532 19 17-30 | Nut, Hex, Flanged 1/4-20 | 35 | 532 15 15-21 | Kit, Wheel Adjuster, LH (Includes Knob and Bearing) |
| 4 | 532 15 87-55 | Hex Washer Head Screw 1/4-20 x 2.12 | 36 | 532 18 01-84 | Gear Case Assembly (See Breakdown) |
| 5 | 532 17 54-36 | V-Belt | 37 | 532 13 70-90 | Spring |
| 6 | 532 15 04-95 | Spring Retainer | 38 | 873 80 04-00 | Locknut 1/4-20 |
| 8 | 532 16 43-78 | Hubcap | 41 | 532 15 15-20 | Kit, Wheel Adjuster, RH (Includes Knob and Bearing) |
| 9 | 532 14 52-12 | Locknut | 54 | 532 19 04-61 | Grassbag Assembly |
| 11 | 532 18 07-67 | Wheel & Tire Assembly | 55 | 532 17 57-39 | Driveshaft Cover |
| 12 | 812 00 00-58 | E-Ring | 57 | 532 18 88-15 | Frame, Grassbag |
| 13 | 532 13 70-54 | Pinion | | | |
| 14 | 532 18 94-03 | Dust Cover | | | |
| 16 | 532 06 77-25 | Washer 1/2 x 1-1/2 x .134 | | | |
| 18 | 532 17 01-43 | Selector Knob | | | |
| 26 | 532 17 52-62 | Pan Head Tapping Screw #10-24 x 2-3/4 | | | |
| 28 | 532 18 03-29 | Drive Cover | | | |

NOTE: All component dimensions given in U.S. inches.
1 inch = 25.4 mm

ROTARY LAWN MOWER - - MODEL NUMBER 5553SD (PP5553HW3G)

PRODUCT NUMBER 964 77 03-00

GEARCASE ASSEMBLY - - PART NUMBER 532 18 01-84



| KEY NO. | PART NO. | DESCRIPTION |
|---------|--------------|---------------------------|
| 1 | 532 18 34-97 | Case, Lower |
| 2 | 532 18 34-98 | Case, Upper |
| 3 | 532 18 34-99 | Gear, 27 Teeth |
| 4 | 532 18 35-00 | Lever, Clutch |
| 5 | 532 18 35-01 | Spring, Return |
| 6 | 532 18 35-02 | Shaft, Input |
| 7 | 532 18 35-03 | Dog, Movable |
| 8 | 532 18 35-04 | Dog, Fixed |
| 9 | 532 18 35-05 | Wire, Formed |
| 10 | 532 18 35-06 | Bearing, Ball |
| 11 | 532 18 35-07 | Fork, Shift |
| 12 | 532 18 35-08 | Seal, Output Shaft |
| 13 | 532 18 35-09 | Washer |
| 14 | 532 18 35-10 | Seal, Case |
| 15 | 532 18 35-11 | Bushing |
| 16 | 532 18 35-12 | Shaft, Output |
| 17 | 532 18 35-13 | Screw |
| -- | 532 18 34-04 | Kit, Gearcase Replacement |

NOTE: Use Dow Corning #709 to reseal Gear Case Halves.

NOTE: All component dimensions given in U.S. inches.
1 inch = 25.4 mm