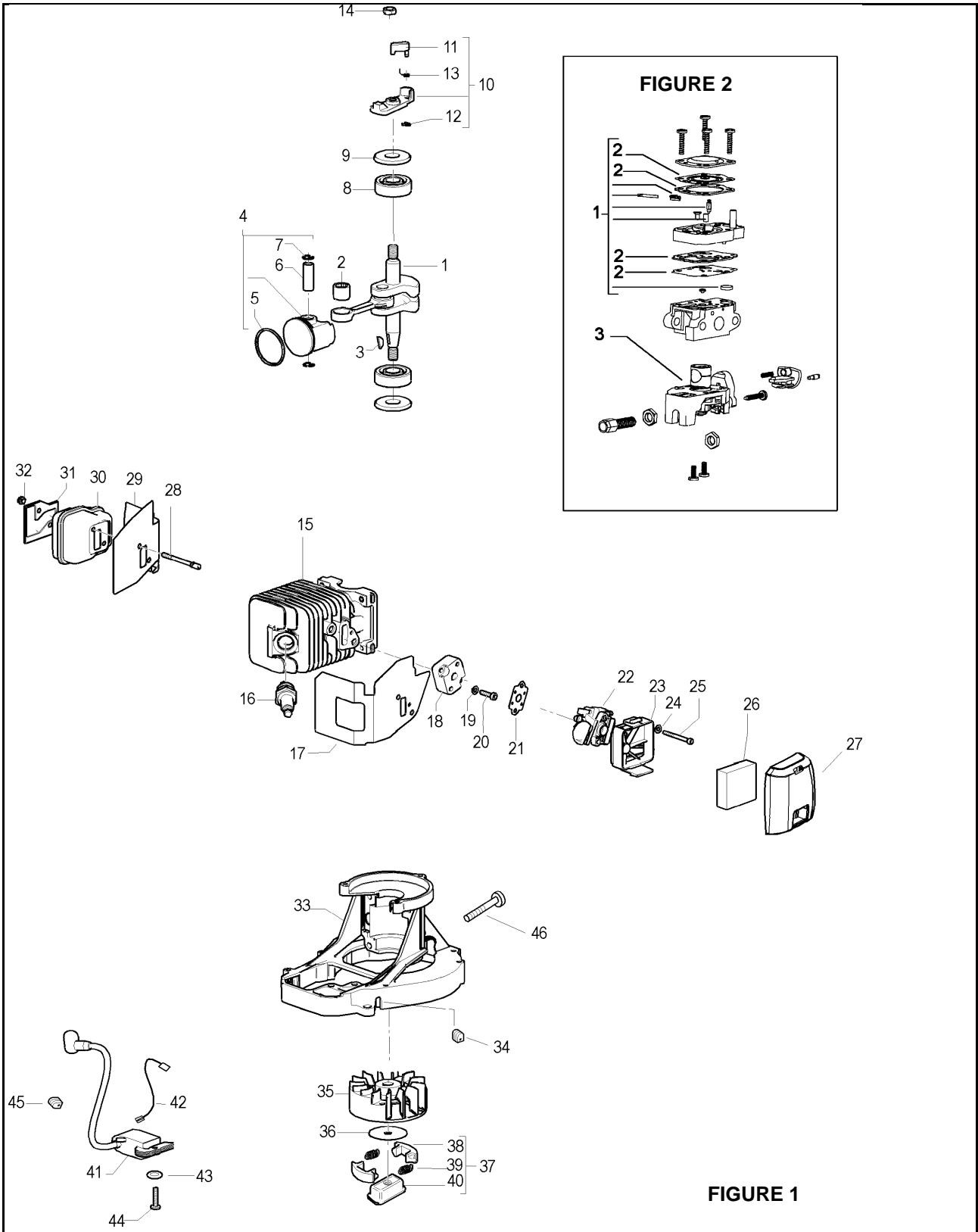


ELECTROLUX OUTDOOR PRODUCTS

| PNC | Type/Prefix/nd | Model | Brand |
|------------|-----------------------|---------------|--------------|
| 953900592 | 01 | GLADIATOR 550 | McCulloch |
| 953900593 | 01 | HG 550 | Partner |

Number of Pages 1 of 5

| | |
|---|-----------------------------|
| Factory: IIQ - Valmadrera | Product Group: OP 93 |
| Publication Number: EIPL2005_VP0501005 | Petrol Portable |
| Publication Date: 28/01/05 | Sub Group 9435 |



| Item | P/N McC | P/N ELX | Qty | DESCRIPTION |
|------|---------|---------|-----|-------------|
|------|---------|---------|-----|-------------|

| Item | P/N McC | P/N ELX | Qty | DESCRIPTION |
|------|---------|---------|-----|-------------|
|------|---------|---------|-----|-------------|

FIGURE 1
FIGURE 2 ZAMA RC1-X882B, RC1-M45

| | | | | |
|------|-----------------|-----------|---|------------------------|
| 1 | 242003 | 538242003 | 1 | crankshaft assy |
| C 2 | 235742 | 538235742 | 1 | needle bearing 9x14x12 |
| C 3 | 227631 | 538227631 | 1 | key |
| 4 | 248177 | 538248177 | 1 | piston kit |
| C 5 | • 240002 | 538240002 | 1 | piston ring |
| B 6 | • 241735 | 538241735 | 1 | piston pin |
| C 7 | • 235008 | 538235008 | 2 | snap ring |
| C 8 | 241594 | 538241594 | 2 | ball bearing |
| C 9 | 242994 | 538242994 | 2 | seal |
| 10 | 241784 | 538241784 | 1 | starter pawl assy |
| 11 | • 241781 | 538241781 | 1 | ratchet |
| C 12 | • 111088 | 538111088 | 1 | snap ring |
| 13 | • 241782 | 538241782 | 1 | spring |
| 14 | 241624 | 538241624 | 1 | nut M8 |
| 15 | 242803 | 538242803 | 1 | cylinder |
| 16 | 92879 | 538092879 | 1 | spark plug RDJ8J |
| 17 | 242860 | 538242860 | 1 | cylinder spacer gasket |
| C 18 | 242287 | 538242287 | 1 | carb. Spacer |
| 19 | 235248 | 538235248 | 2 | washer d. 5x10x1 |
| 20 | 242174 | 538242174 | 2 | screw M5x20 |
| 21 | 242325 | 538242325 | 1 | spacer/carb. Gasket |
| 22 | FIGURE 2 | | | |
| 23 | 242420 | 538242420 | 1 | air filter housing |
| 24 | 235248 | 538235248 | 2 | washer |
| 25 | 235808 | 538235808 | 2 | screw M5x50 |
| 26 | 242425 | 538242425 | 1 | air filter |
| 27 | 243215 | 538243215 | 1 | air filter cover |
| A 28 | 242037 | 538242037 | 2 | muffler stud bolt |
| C 29 | 242517 | 538242517 | 1 | gasket |
| 30 | 242131 | 538242131 | 1 | muffler |
| C 31 | 322231 | 538322231 | 1 | exhaust baffle |
| C 32 | 235642 | 538235642 | 2 | nut M5 self locking |
| 33 | 242802 | 538242802 | 1 | engine carter |
| 34 | 241607 | 538241607 | 1 | wire grommet |
| 35 | 241796 | 538241796 | 1 | flywheel |
| 36 | 241604 | 538241604 | 1 | clutch dust shield |
| B 37 | 241793 | 538241793 | 1 | clutch assy |
| 38 | • 241743 | 538241743 | 2 | clutch shoe |
| A 39 | • 241794 | 538241794 | 2 | clutch spring |
| 40 | • 241789 | 538241789 | 1 | clutch rotor |
| 41 | 241749 | 538241749 | 1 | ignition coil |
| 42 | 241630 | 538241630 | 1 | ignition cable/ switch |
| 43 | 235248 | 538235248 | 2 | washer d. 5x10x1 |
| C 44 | 235806 | 538235806 | 2 | screw M5x20 |
| 45 | 236322 | 538236322 | 1 | grommet |
| 46 | 227565 | 538227565 | 4 | screw 5x25-12,9 |

| | | | | |
|-----|-----------|-----------|---|------------------------|
| C - | 242498 | 538242498 | | carburettor |
| B 1 | • 249803 | 538249803 | 1 | carburettor repair kit |
| A 2 | •• 249802 | 538249802 | 1 | diaphragm+gasket kit |
| 3 | 249804 | 538249804 | 1 | Cover set. Rotor |

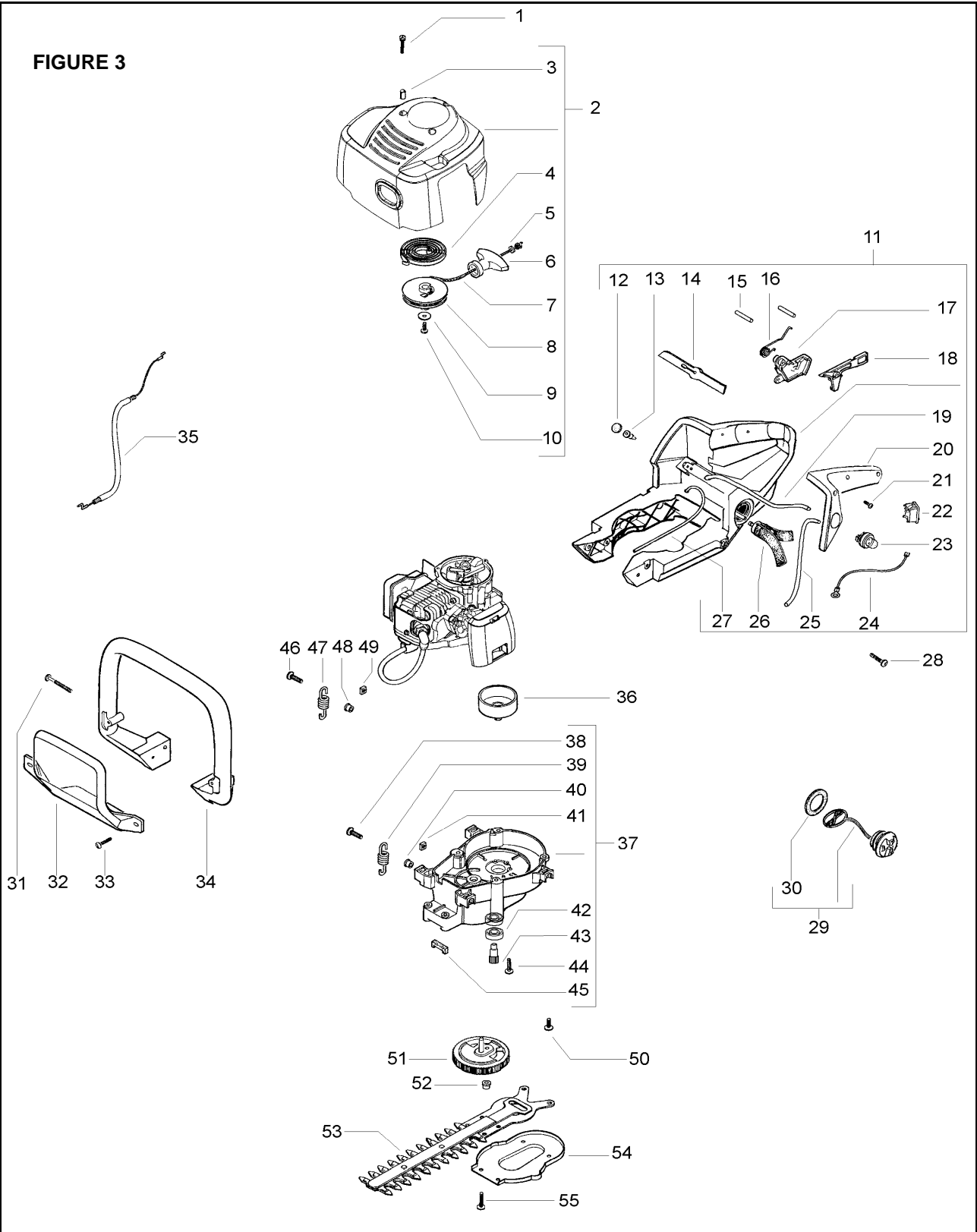
A=ALTA ROTAZIONE
B=MEDIA ROTAZIONE
C=ALTA ROTAZIONE
NUOVI CODICI

A=HIGH MOVING
B=MEDIUM MOVING
C=SLOW MOVING
NEW P. NUMBERS

A=HAUTE DEMANDE
B=MOYENNE DEMANDE
C=BASSE DEMANDE
NOUVELLES REFERENCES

A=GROBE NACHFRAGE
B=MITTELMAESSIGE
C=WENIGE NACHFRAGE
NEU CODEX

FIGURE 3



| Item | P/N McC | P/N ELX | Qty | DESCRIPTION |
|------|---------|---------|-----|-------------|
|------|---------|---------|-----|-------------|

| Item | P/N McC | P/N ELX | Qty | DESCRIPTION |
|------|---------|---------|-----|-------------|
|------|---------|---------|-----|-------------|

FIGURE 3

| | | | | |
|------|-------------|-----------|---|----------------------------------|
| 1 | 241963 | 538241963 | 3 | screw M4x22 |
| 2 | 243253 | 538243253 | 1 | cover assy |
| 3 | • 241617 | 538241617 | 3 | bushing 5x10 |
| B 4 | • 241619 | 538241619 | 1 | starter spring |
| 5 | • 235612 | 538235612 | 1 | washer d.4x9x0,8 |
| 6 | • 242852 | 538242852 | 1 | starter's handle |
| A 7 | • 241746 | 538241746 | 1 | starter rope |
| B 8 | • 241620 | 538241620 | 1 | starter pulley |
| 9 | • 241703 | 538241703 | 1 | washer d.4x16x0,8 |
| 10 | • 240862 | 538240862 | 1 | screw - self threading 4x18 |
| C 11 | • 241866 | 538241866 | 1 | rear handle assy |
| C 12 | • 241717 | 538241717 | 1 | valve felt |
| C 13 | • 322199 | 538322199 | 1 | valve duckbill |
| 14 | • 241709 | 538241709 | 1 | cable holder |
| 15 | • 241762 | 538241762 | 2 | pin d.4x25,5 |
| 16 | • 241637 | 538241637 | 1 | spring |
| C 17 | • 241635 | 538241635 | 1 | throttle rigger |
| C 18 | • 241636 | 538241636 | 1 | safety lever |
| B 19 | • 241777 | 538241777 | 1 | mix pipe |
| 20 | • 241846 | 538241846 | 1 | half handle left |
| 21 | • 240862 | 538240862 | 3 | screw - self threading 4x18 |
| C 22 | • 228277 | 538228277 | 1 | switch |
| C 23 | • 224242-01 | 538022424 | 1 | primer |
| 24 | • 241867 | 538241867 | 1 | ground cable |
| B 25 | • 241776 | 538241776 | 1 | primer pipe |
| A 26 | • 240452 | 538240452 | 1 | pick up |
| B 27 | • 241775 | 538241775 | 1 | tube mix |
| 28 | 111117 | 538111117 | 2 | screw 10-14x1" |
| B 29 | 240865 | 538240865 | 1 | fuel cap assy |
| C 30 | • 235510 | 538235510 | 1 | o-ring |
| 31 | 219883 | 538219883 | 4 | screw 10-14x1,69 |
| 32 | 241654 | 538241654 | 1 | front handle protection |
| 33 | 111117 | 538111117 | 2 | screw 10-14x1" |
| 34 | 241868 | 538241868 | 1 | front handle |
| C 35 | 243251 | 538243251 | 1 | gas cable |
| C 36 | 241771 | 538241771 | 1 | clutch drum |
| 37 | 249083 | 538249083 | 1 | gear box assy |
| 38 | • 217936 | 538217936 | 2 | screw 10-24x0,75 |
| C 39 | • 241634 | 538241634 | 2 | spring |
| 40 | • 241765 | 538241765 | 2 | bushing |
| 41 | • 218005 | 538218005 | 2 | square nut 10-24 |
| 42 | • 235897 | 538235897 | 2 | ball bearing 10x26x8 (6000-2RS1) |
| 43 | • 225007-01 | 538225007 | 1 | gear |
| 44 | • 218644 | 538218644 | 2 | screw 10-14x0,75 |
| 45 | • 241633 | 538241633 | 1 | dust shield |
| 46 | 217936 | 538217936 | 2 | screw 10-24x0,75 |
| C 47 | 241634 | 538241634 | 2 | spring |
| 48 | 241765 | 538241765 | 2 | bushing |
| 49 | 218005 | 538218005 | 2 | square nut 10-24 |

| | | | | |
|------|--------|-----------|---|----------------|
| 50 | 227568 | 538227568 | 4 | screw M4x20 |
| C 51 | 242457 | 538242457 | 1 | blade gear |
| B 52 | 242521 | 538242521 | 1 | bushing |
| C 53 | 242584 | 538242584 | 1 | 22" blade assy |
| 54 | 241761 | 538241761 | 1 | gear box cover |
| 55 | 111117 | 538111117 | 6 | screw 10-14x1" |

A=ALTA ROTAZIONE
B=MEDIA ROTAZIONE
C=ALTA ROTAZIONE
NUOVI CODICI

A=HIGH MOVING
B=MEDIUM MOVING
C=SLOW MOVING
NEW P. NUMBERS

A=HAUTE DEMANDE
B=MOYENNE DEMANDE
C=BASSE DEMANDE
NOUVELLES REFERENCES

A=GROBE NACHFRAGE
B=MITTELMAESSIGE
C=WENIGE NACHFRAGE
NEU CODEX