

HUSQVARNA OUTDOOR PRODUCTS ITALIA

PNC	ML	Model	Brand
966830801	01	Gladiator 550	McCulloch

Number of Pages 1 of 5

Factory:	IIQ - Valmadrera	Product Group:	OP 93
Publication Number:	MIPL2008_V140000003	Petrol Portable	
Publication Date:	03/04/08	Sub Group	9435

FIGURE 1

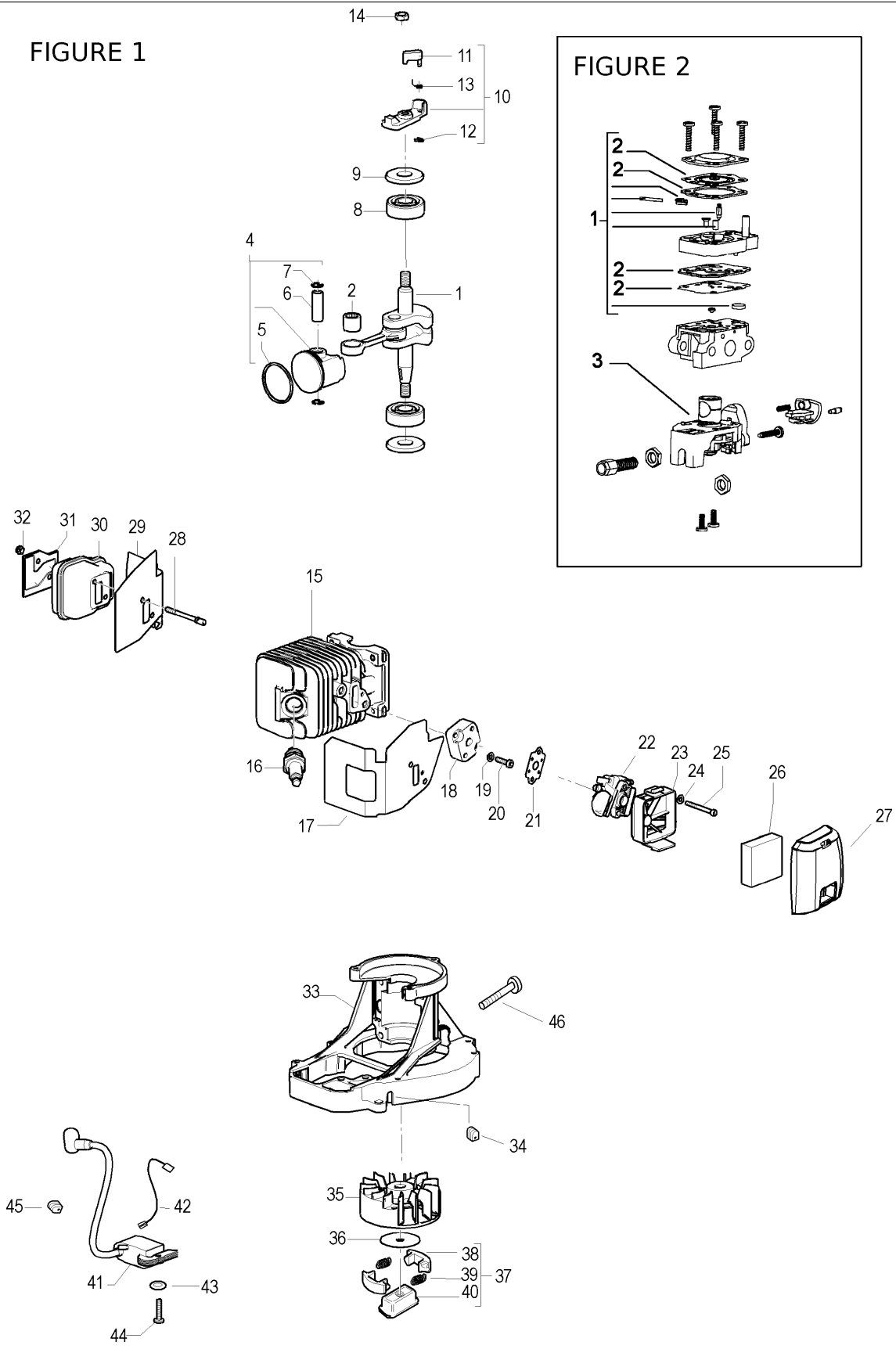
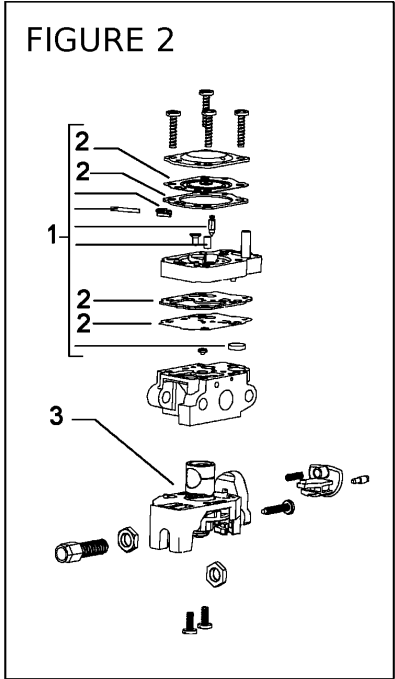


FIGURE 2

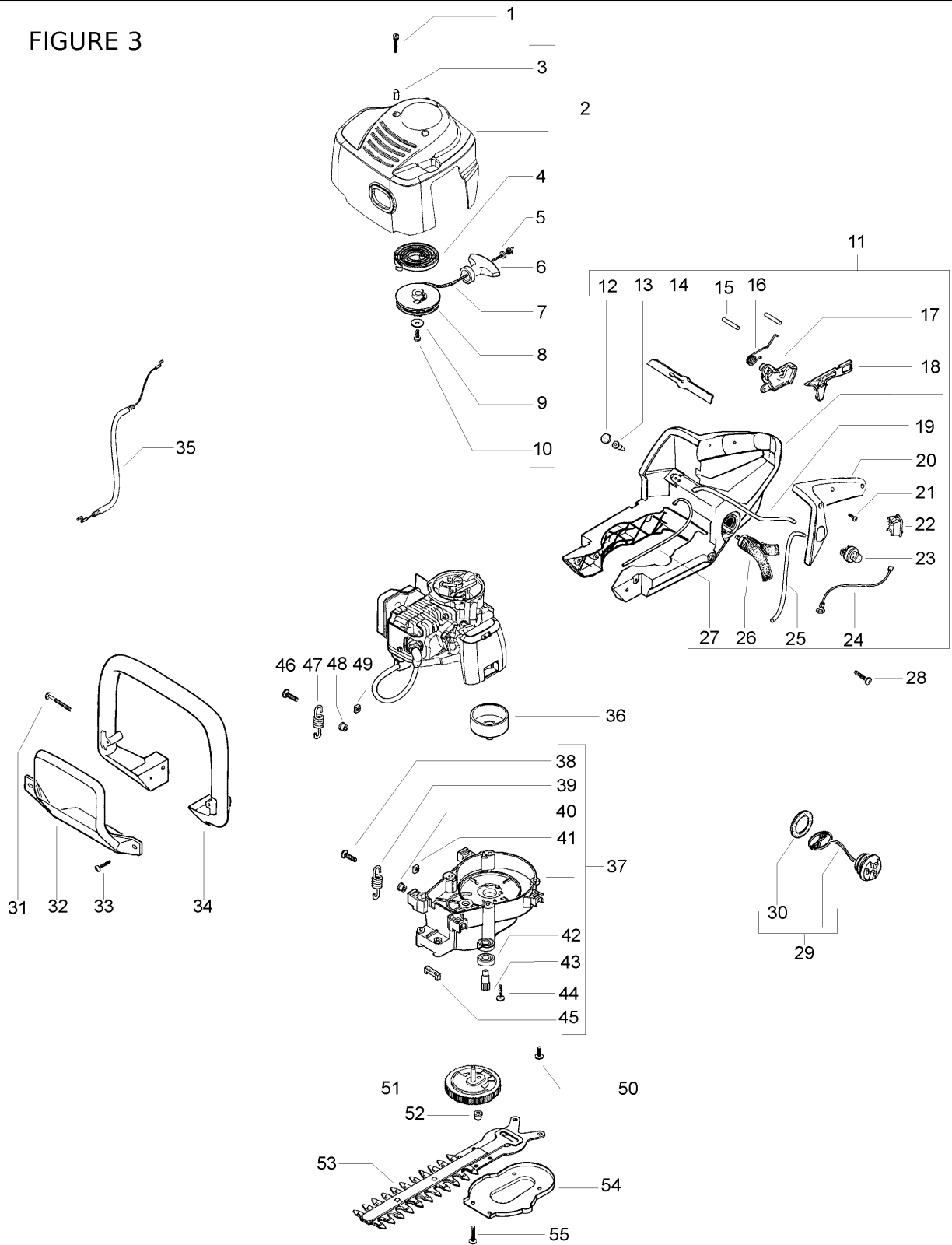


Item	PN	Qty	Description
FIGURE 1			
	1	538243486	1 crankshaft assy
C	2	538235742	1 needle bearing 9x14x12
	4	538249179	1 piston kit
C	5	* 538242602	1 piston ring
B	6	* 538241735	1 piston pin
C	7	* 538235008	2 snap ring
C	8	538241594	2 ball bearing
C	9	538242994	2 seal
	10	538241784	1 starter pawl assy
	11	* 538241781	1 ratchet
C	12	* 538111088	1 snap ring
	13	* 538241782	1 spring
	14	538241624	1 nut M8
	15	538243076	1 cylinder
	16	538092879	1 spark plug RDJ8J
	17	538242860	1 cylinder spacer gasket
C	18	538242287	1 carb. Spacer
	19	538235248	2 washer d. 5x10x1
	20	538242174	2 screw M5x20
	21	538242325	1 spacer/carb. Gasket
	22	—	1 FIGURE 2
	23	538242420	1 air filter housing
	24	538235248	2 washer
	25	538235808	2 screw M5x50
	26	538242425	1 air filter
	27	538243215	1 air filter cover
A	28	538242037	2 muffler stud bolt
C	29	538242517	1 gasket
	30	538242131	1 muffler
C	31	538322231	1 exhaust baffle
C	32	538235642	2 nut M5 self locking
	33	538242802	1 engine carter
	34	538241607	1 wire grommet
	35	538243311	1 flywheel
	36	538241604	1 clutch dust shield
B	37	538241793	1 clutch assy
	38	* 538241743	2 clutch shoe
A	39	* 538241794	2 clutch spring
	40	* 538241789	1 clutch rotor
	41	538243429	1 ignition coil
	42	538241630	1 ignition cable/ switch
	43	538235248	2 washer d. 5x10x1
C	44	538235806	2 screw M5x20
	45	538236322	1 grommet
	46	538227565	4 screw 5x25-12,9

Item	PN	Qty	Description
FIGURE 2 — ZAMA RC1-X882B, RC1-M45			
C	-	538242498	carburettor
B	1	* 538249803	1 carburettor repair kit
A	2	** 538249802	1 diaphragm+gasket kit
	3	538249804	1 Cover set. Rotor

A = ALTA ROTAZIONE	A = HIGH MOVING	A = HAUTE DEMANDE	A = GROBE NACHFRAGE
B = MEDIA ROTAZIONE	B = MEDIUM MOVING	B = MOYENNE DEMANDE	B = MITTELMAESSIGE
C = BASSA ROTAZIONE	C = SLOW MOVING	C = BASSE DEMANDE	C = WENIGE NACHFRAGE
NUOVI CODICI	NEW PARTS	NOUVELLE REFERENCES	NEU CODEX

FIGURE 3



Item	PN	Qty	Description	Item	PN	Qty	Description
FIGURE 3				48	538241765	2	bushing
1	538241963	3	screw M4x22	49	538218005	2	square nut 10-24
2	538243253	1	cover assy	50	538227568	4	screw M4x20
3	* 538241617	3	bushing 5x10	C 51	538243657	1	blade gear
B 4	* 538241619	1	starter spring	B 52	538242521	1	bushing
5	* 538235612	1	washer d.4x9x0,8	C 53	538242584	1	22" blade assy
6	* 538242852	1	starter's handle	54	538241761	1	gear box cover
A 7	* 538241746	1	starter rope	55	538111117	6	screw 10-14x1
B 8	* 538241620	1	starter pulley				
9	* 538241703	1	washer d.4x16x0,8				
10	* 538240862	1	screw, self threading 4x18				
C 11	538243363	1	rear handle assy				
C 12	* 538241717	1	valve felt				
C 13	* 538322199	1	valve duckbill				
14	* 538241709	1	cable holder				
15	* 538241762	2	pin d.4x25,5				
16	* 538241637	1	spring				
C 17	* 538241635	1	throttle rigger				
C 18	* 538241636	1	safety lever				
B 19	* 538241777	1	mix pipe				
20	* 538243332	1	half handle left				
21	* 538240862	3	screw, self threading 4x18				
C 22	* 538242439	1	switch				
C 23	* 538022424	1	primer				
24	* 538241867	1	ground cable				
B 25	* 538241776	1	primer pipe				
A 26	* 538240452	1	pick up				
B 27	* 538241775	1	tube mix				
28	538111117	2	screw 10-14x1				
B 29	538240865	1	fuel cap assy				
C 30	* 538235510	1	o-ring				
31	538219883	4	screw 10-14x1,69				
32	538241654	1	front handle protection				
33	538111117	2	screw 10-14x1"				
34	538241868	1	front handle				
C 35	538243251	1	gas cable				
C 36	538241771	1	clutch drum				
37	538249863	1	gear box assy				
38	* 538217936	2	screw 10-24x0,75				
C 39	* 538242307	2	spring				
40	* 538241765	2	bushing				
41	* 538218005	2	square nut 10-24				
42	* 538235897	2	ball bearing 10x26x8 (6000-2RS1)				
43	* 538225007	1	gear				
44	* 538218644	2	screw 10-14x0,75				
45	* 538241633	1	dust shield				
46	538217936	2	screw 10-24x0,75				
C 47	538242307	2	spring				

A = ALTA ROTAZIONE	A = HIGH MOVING	A = HAUTE DEMANDE	A = GROBE NACHFRAGE
B = MEDIA ROTAZIONE	B = MEDIUM MOVING	B = MOYENNE DEMANDE	B = MITTELMAESSIGE
C = BASSA ROTAZIONE	C = SLOW MOVING	C = BASSE DEMANDE	C = WENIGE NACHFRAGE
NUOVI CODICI	NEW PARTS	NOUVELLE REFERENCES	NEU CODEX