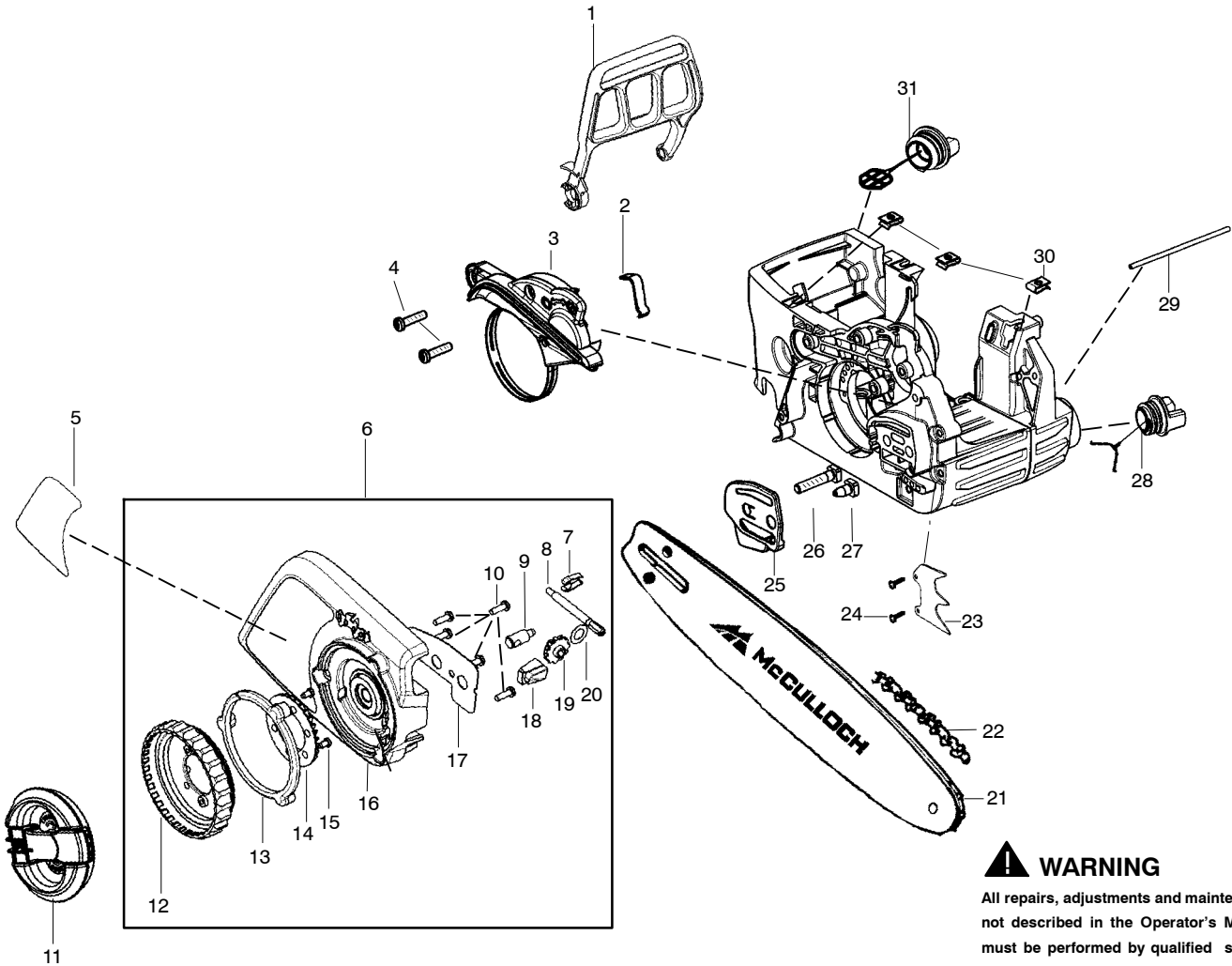


Note: Illustration may differ from actual model due to design changes



⚠ WARNING
All repairs, adjustments and maintenance not described in the Operator's Manual must be performed by qualified service personnel.

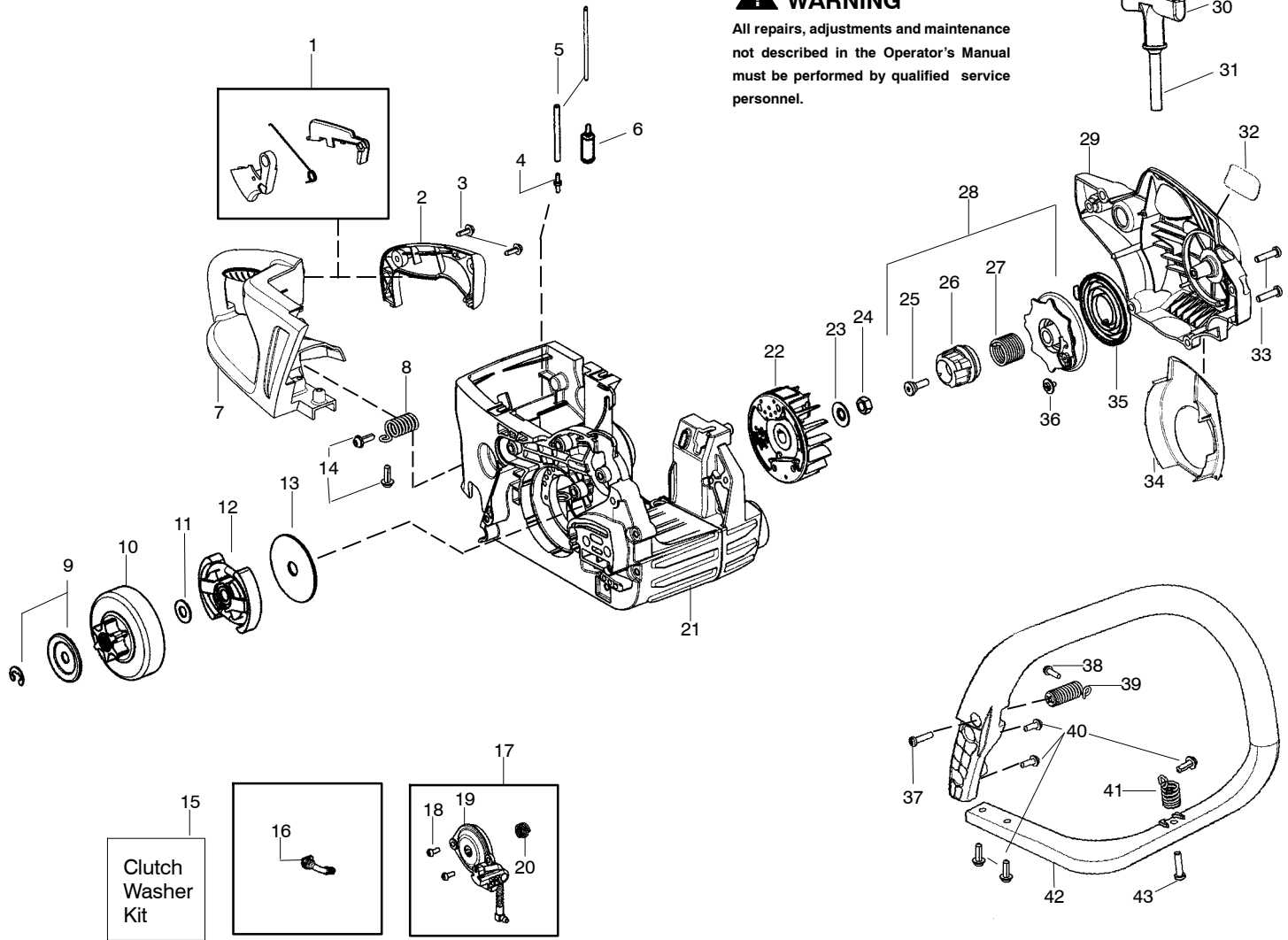
| Ref. | Part No. | Description | Ref. | Part No. | Description |
|------|-----------|---|------|-----------|--------------------------|
| 1. | 530057880 | Handguard | 25. | 530057910 | Plate - Bar |
| 2. | 530016416 | Spring - Handguard | 26. | 573974101 | Bolt - Bar |
| 3. | 530071893 | Kit - Chainbrake | 27. | 573974001 | Bolt - Tapered Bar |
| 4. | 530016432 | Screw | 28. | 530057236 | Assy - Oil Cap w/ret. |
| 5. | 580768201 | Decal - B/C 360T | 29. | 530058786 | Assy - Oil Vent |
| 6. | 577315002 | Assy. - Clutch Cover (Incl.7,8,9,10,12,13,14,15,16,17,18,19,20) | 30. | 530015922 | Nut - "U" type speed |
| 7. | 576617301 | Clip - Spring | 31. | 577858501 | Cap - Fuel with retainer |
| 8. | 525501001 | Screw - Bar Adjust | | | |
| 9. | 525500901 | Pin - Bar Adjust | | | |
| 10. | 574780301 | Screw M3.63 | | | |
| 11. | 577314401 | Assy. - Knob Lever | | | |
| 12. | 525501803 | Wheel - Knob Tensioning | | | |
| 13. | 579011601 | Ring - Ret. Knob | | | |
| 14. | 525501401 | Gear - Ring Cover | | | |
| 15. | 573974201 | Screw M3.5 | | | |
| 16. | 525501501 | Cover - Clutch | | | |
| 17. | 573973701 | Plate - Gear Cover | | | |
| 18. | 573973801 | Stopper - Bar Adjust Screw | | | |
| 19. | 525501301 | Gear - Screw Adjuster | | | |
| 20. | 577149501 | Washer - Spacer 8mm | | | |
| 21. | 580849001 | Bar 16" | | | |
| 22. | 579579901 | Chain 16" (91PX) | | | |
| 23. | 530014381 | Kit - Spike (incl. 24) | | | |
| 24. | 530016439 | Screw | | | |

✓ = NEW PART NUMBER FOR THIS IPL ★ = REFER TO THE SERVICE REFERENCE INDICATED FOR MORE INFORMATION. (LOCATED AT END OF IPL)

Note: Illustration may differ from actual model due to design changes

⚠ WARNING

All repairs, adjustments and maintenance not described in the Operator's Manual must be performed by qualified service personnel.



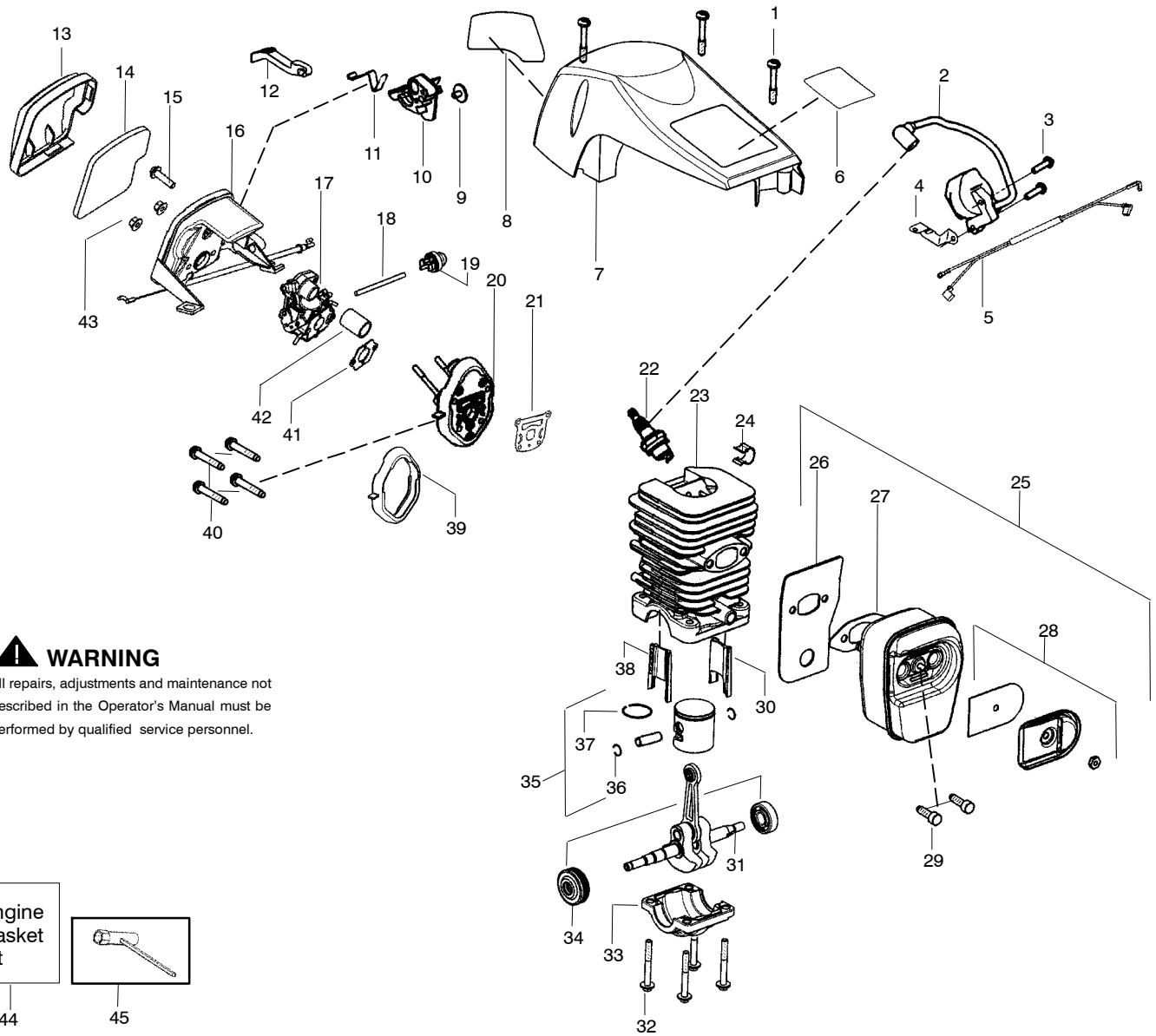
| Ref. | Part No. | Description | Ref. | Part No. | Description |
|------|-----------|--|------|-----------|---|
| 1. | 580864201 | Kit - Trigger/Lockout | 22. | 545016308 | Assy - Flywheel |
| 2. | 545011901 | Cover - Handle | 23. | 530015127 | Washer - Flywheel |
| 3. | 530016433 | Screw | 24. | 530016134 | Nut - Flywheel |
| 4. | 530023877 | Fitting - Fuel line | 25. | 530021179 | Screw - Shoulder |
| 5. | 580727101 | Kit - Fuel Line | 26. | 530059677 | Starter Hub - EPS |
| 6. | 530095649 | Assy - Fuel Pick Up | 27. | 530021180 | Spring - EPS |
| 7. | 545012101 | Handle - Rear | 28. | 530071966 | Kit - EPS Starter Pulley (Incl. 25,26,27,36) |
| 8. | 530059475 | Spring - Rear Isolator | 29. | 545045901 | Housing - Fan |
| 9. | --- | Washer (Ref. #15) | 30. | 580835201 | Handle - Starter |
| 10. | 530057905 | Assy - Clutch Drum 3/8" | 31. | 530069232 | Kit - Rope |
| 11. | --- | Washer (Ref. #15) | 32. | 580767001 | Decal - Fan Housing |
| 12. | 530057907 | Assy - Clutch | 33. | 530016432 | Screw |
| 13. | 530016419 | Washer - Large Clutch | 34. | 580678501 | Baffle - Gold |
| 14. | 530015906 | Screw | 35. | 576657801 | Spring - Starter |
| 15. | 530071945 | Kit - Clutch Washer (Incl. 9,11) | 36. | 530016080 | Screw |
| 16. | 530057924 | Assy - Oil Pick Up | 37. | 530016432 | Screw |
| 17. | 530071891 | Kit - Oil Pump (Incl. 18,19,20) | 38. | 530016443 | Screw |
| 18. | 545227101 | Screw | 39. | 530059480 | Assy - Rear Iso. Spring |
| 19. | 530057931 | Assy - Oil Pump | 40. | 530015906 | Screw |
| 20. | 530037820 | Gear - Worm | 41. | 530059479 | Assy - Front Iso. Spring |
| 21. | 579061601 | Assy - Chassis (Incl.) (Page 2) 4,5,8,14 (Page 1) 2,26,27,28,29,30,31) | 42. | 530057878 | Handle - Front |
| | | | 43. | 530016432 | Screw |

✓ = NEW PART NUMBER FOR THIS IPL

* = REFER TO THE SERVICE REFERENCE INDICATED FOR MORE INFORMATION. (LOCATED AT END OF IPL)

| | | | |
|------------------------------------|-----|-----------------------------|--------------------------------------|
| PARTS LIST NO. 580864501 | | McCULLOCH PARTS LIST | CHAIN SAW MODEL(S) CS 360T |
| DATE 7/03/12 | NEW | | PAGE NO. 3 |

Note: Illustration may differ from actual model due to design changes



⚠ WARNING

All repairs, adjustments and maintenance not described in the Operator's Manual must be performed by qualified service personnel.

| Ref. | Part No. | Description | Ref. | Part No. | Description | Ref. | Part No. | Description |
|------|-----------|----------------------------|------|-----------|--------------------------------------|-----------|-----------|--------------------------------|
| 1. | 530016153 | Screw | 20. | 530071889 | Kit-Carb. Adaptor (Incl. # 21,39,42) | 38. | 545015401 | Insert-Right Cyl.(gray) |
| 2. | 545115801 | Module-Ignition | 21. | ---- | Gasket (Ref.#20,44) | 39. | ---- | Seal (Ref.#20,44) |
| 3. | 530016432 | Screw | 22. | 952030150 | Accy-Spark Plug (RCJ-7Y) | 40. | 530016426 | Screw |
| 4. | 530058661 | Strap-Ground | 23. | 530071885 | Kit-Cylinder (Incl. 30,38) | 41. | ---- | Gasket (Ref.#44) |
| 5. | 530057943 | Assy-Wire Harness | 24. | 530058660 | Clip-High Tension Lead | 42. | 530057926 | Tube-Intake |
| 6. | 577923702 | Decal - Warning | 25. | 545081801 | Kit-Muffler(Incl.26,27,28,29) | 43. | 530016101 | Nut-Carb. |
| 7. | 545045801 | Shield-Cylinder(Incl. 1) | 26. | 530057942 | Backplate-Muffler | 44. | 530071894 | Kit-Gasket (Incl. 21,27,39,41) |
| 8. | 580783801 | Decal-Start Reminder | 27. | ---- | Gasket (Ref.#25,44) | 45. | 530031135 | Scrench |
| 9. | 530016080 | Screw | 28. | 545081701 | Kit-Spark Arrestor | | | Not Shown |
| 10. | 530057891 | Lever-Ignition Switch | 29. | 530016338 | Bolt-Muffler | 580767801 | | Scabbard Assy. |
| 11. | 530057908 | Spring-Ignition Switch | 30. | 545015301 | Insert-Left Cyl.(black) | | | |
| 12. | 530059399 | Knob-Choke | 31. | 545112901 | Assy-Crankshaft/Rod | | | |
| 13. | 530059001 | Cover-Air Filter | 32. | 530016417 | Bolt | | | |
| 14. | 530057869 | Filter-Air | 33. | 530057941 | Cap-Crankcase | | | |
| 15. | 530016425 | Screw | 34. | 530056363 | Assy-Bearing/Seal | | | |
| 16. | 545046901 | Housing-Air Filter w/cable | 35. | 530071882 | Kit-Piston (Incl. 36,37) | | | |
| 17. | 545070601 | Carburetor Zama W26 | 36. | 530015697 | Retainer-Piston Pin | | | |
| 18. | 580727101 | Kit-Fuel Line | 37. | 530038729 | Ring-Piston | | | |
| 19. | 530047721 | Bulb-Purge "snap-in" | | | | | | |

✓ = NEW PART NUMBER FOR THIS IPL

* = REFER TO THE SERVICE REFERENCE INDICATED FOR MORE INFORMATION. (LOCATED AT END OF IPL)