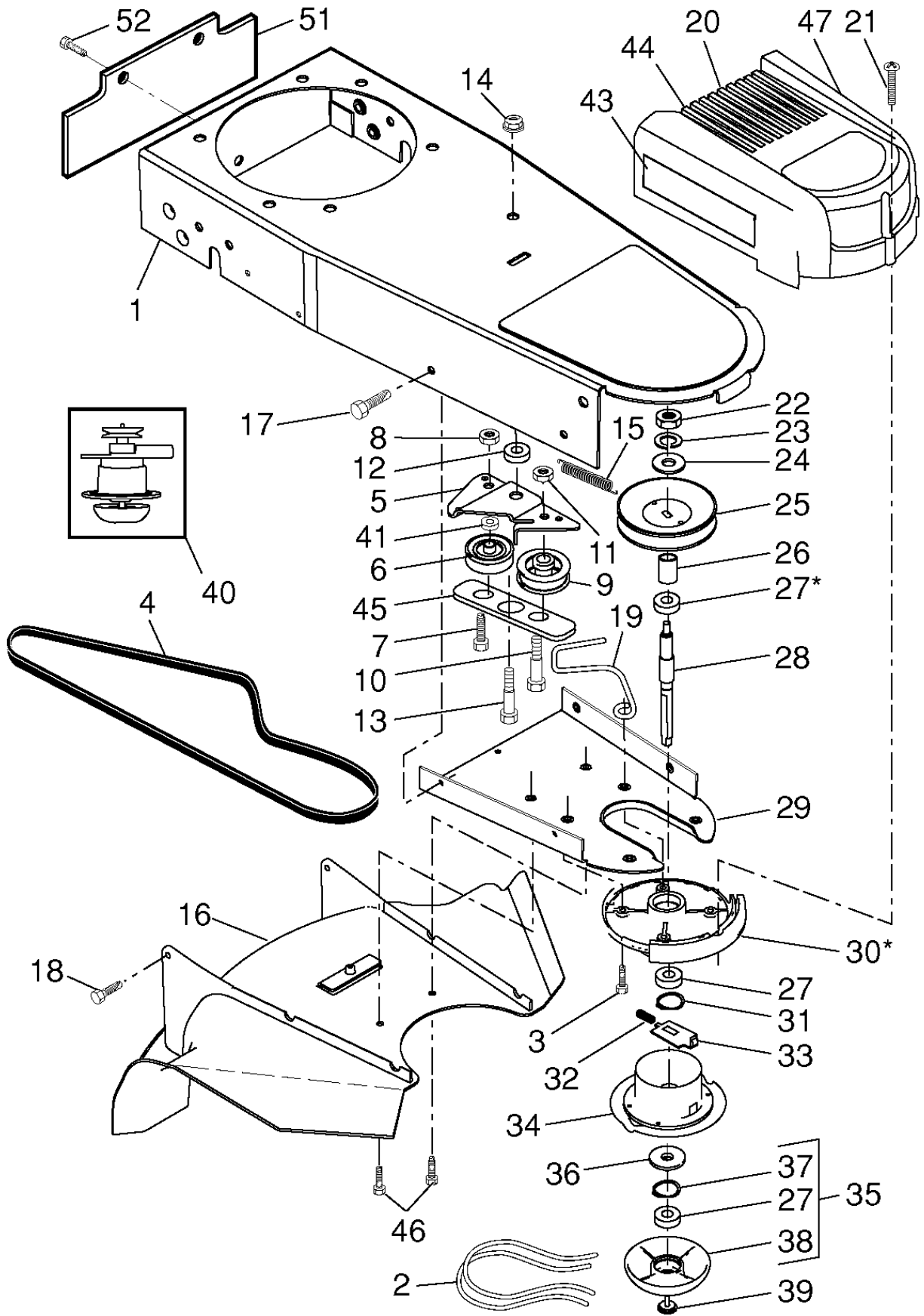




# SPARE PARTS LIST

TRIMMERS/EDGERS

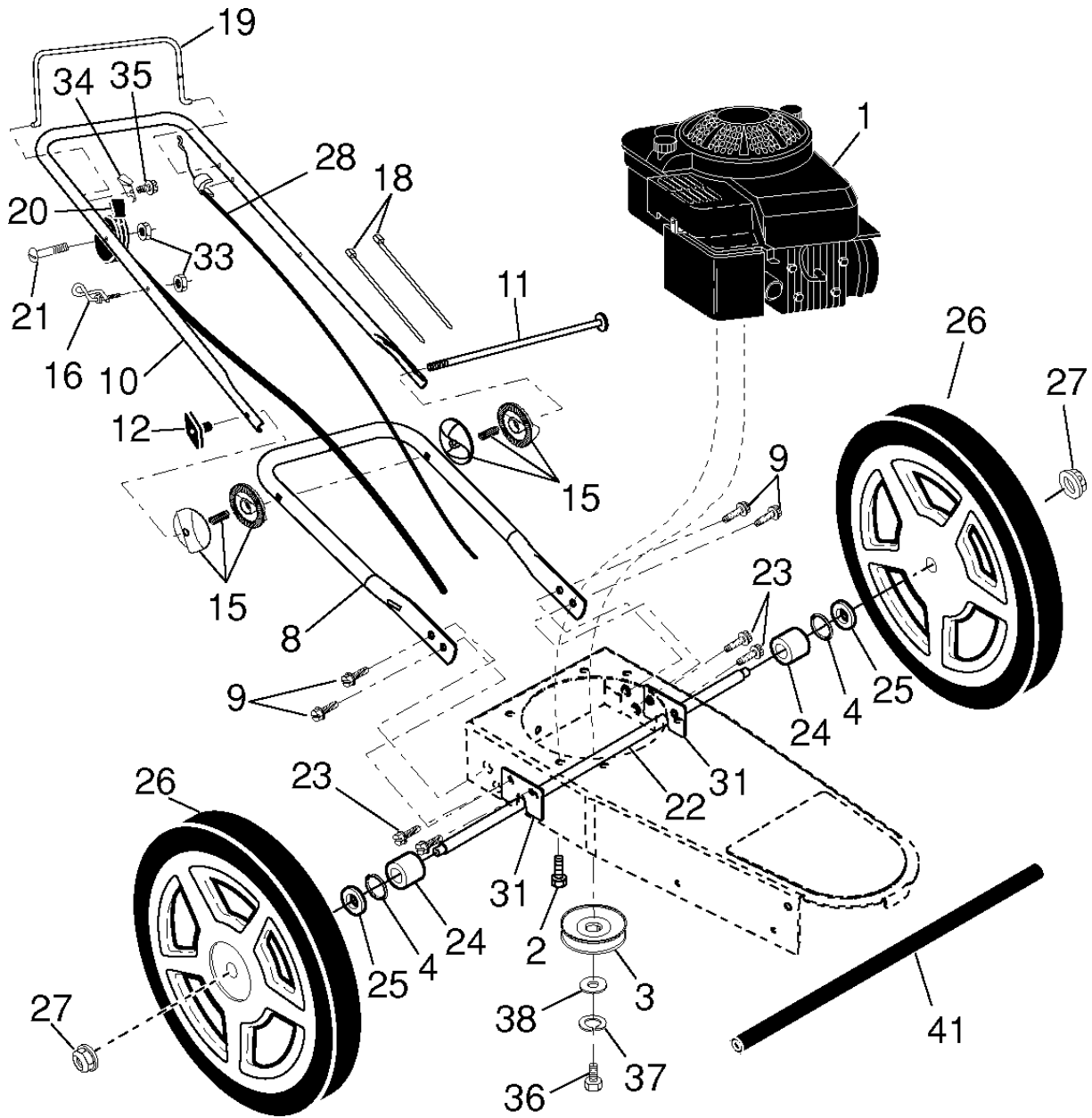
MWT420, 96171000301, 2013-01



## COVER

MWT420, 96171000301, 2013-01

Ref	Part No	Description	Remark	QTY KIT
1	532 18 67-60	CHASSIS ASSEMBLY		1
2	532 18 22-19	TRIMMER LINE		1
3	532 17 37-15	SCREW		1
4	532 18 54-76	V-BELT		1
5	532 18 67-51	BRACKET		1
6	532 16 60-42	PULLEY		1
7	532 17 37-16	BOLT		1
8	873 93 06-00	NUT		1
9	532 16 60-43	PULLEY		1
10	532 16 08-29	BOLT		1
11	873 93 05-00	NUT		1
12	532 17 37-17	SPACER		1
13	532 17 47-19	BOLT		1
14	532 40 91-49	NUT		1
15	532 17 38-11	SPRING		1
16	532 18 02-68	DEFL ECTOR, BOTTOM		1
17	817 06 04-10	SCREW		1
18	532 17 88-48	SCREW		1
19	532 19 95-74	KEEPER		1
20	581 81 93-01	COVER		1
21	532 14 97-46	SCREW		1
22	873 61 06-00	NUT		1
23	532 85 02-63	WASHER		1
24	819 12 12-14	WASHER		1
25	532 18 03-40	PULLEY		1
26	532 17 25-51	SPACER		1
27	532 17 45-49	BEARING		1
28	532 17 25-20	JACKSHAFT		1
29	532 18 67-52	COVER		1
30	532 17 45-43	SPINDLE HOUSING ASSEMBL		1 27
31	532 17 45-81	RETAINING RING		1
32	532 17 39-73	SPRING		1
33	532 17 25-19	LOCKING PLATE		1
34	532 18 03-38	CARRIER PLATE ASSEMBLY		1
35	532 18 22-17	CUP		1 27,37,38
36	532 17 25-16	COVER		1
37	532 17 45-80	RETAINING RING		1
38	532 17 25-23	CUP		1
39	532 18 03-34	BOLT		1
40	532 18 03-33	SPINDLE		1 22-28,30-39
41	532 17 40-29	SPACER		1
43	532 17 40-42	DECAL		1
44	532 18 74-58	LABEL		1
45	532 18 67-53	BELT KEEPER, BOTTOM		1
46	817 06 04-08	SCREW		1
47	532 18 22-05	DECAL		1
48	532 41 25-90	DECAL		1
51	532 18 90-06	DEFL ECTOR, REAR		1
52	532 17 88-48	SCREW		1



## FRAME

MWT420, 96171000301, 2013-01

Ref	Part No	Description	Remark	QTY KIT
1	000 00 00-00	W/O DESCRIPTION	B&S 126T02-0398-H1 FOR SERVICE & PARTS 1-800-233-3723	1
2	532 15 04-06	BOLT		1
3	532 17 94-66	PULLEY		1
4	532 08 83-48	WASHER		1
8	532 18 67-54	HANDLE	LOWER	1
9	532 42 88-67	BOLT		1
10	532 18 67-55	HANDLE	UPPER	1
11	532 17 09-80	BOLT		1
12	532 19 19-38	KNOB		1
15	532 17 97-51	HANDLE ADJUSTER ASSEMBL		1
16	532 19 47-88	GUIDE		1
18	532 06 64-26	HOOP		1
19	532 43 63-54	BAIL		1
20	532 41 72-38	CONTROL		1
21	532 15 87-55	SCREW		1
22	532 44 78-29	AXLE		1
23	532 42 88-67	BOLT		1
24	532 16 98-23	WASHER		1
25	532 19 74-80	O-RING		1
26	581 01 03-05	WHEEL ASSY		1
27	532 40 91-49	NUT		1
28	532 18 16-99	DRIVE CONTROL CABLE		1
31	532 42 62-97	BRACKET		1
33	532 13 20-04	NUT		1
34	532 43 00-34	BRACKET		1
35	532 17 88-48	SCREW		1
36	532 85 10-84	SCREW		1
37	532 85 02-63	WASHER		1
38	532 85 10-74	WASHER		1
41	532 44 83-36	TUBE		1