

**PNC-ML**

967194801-03

**Model**

M46-160AWRPX

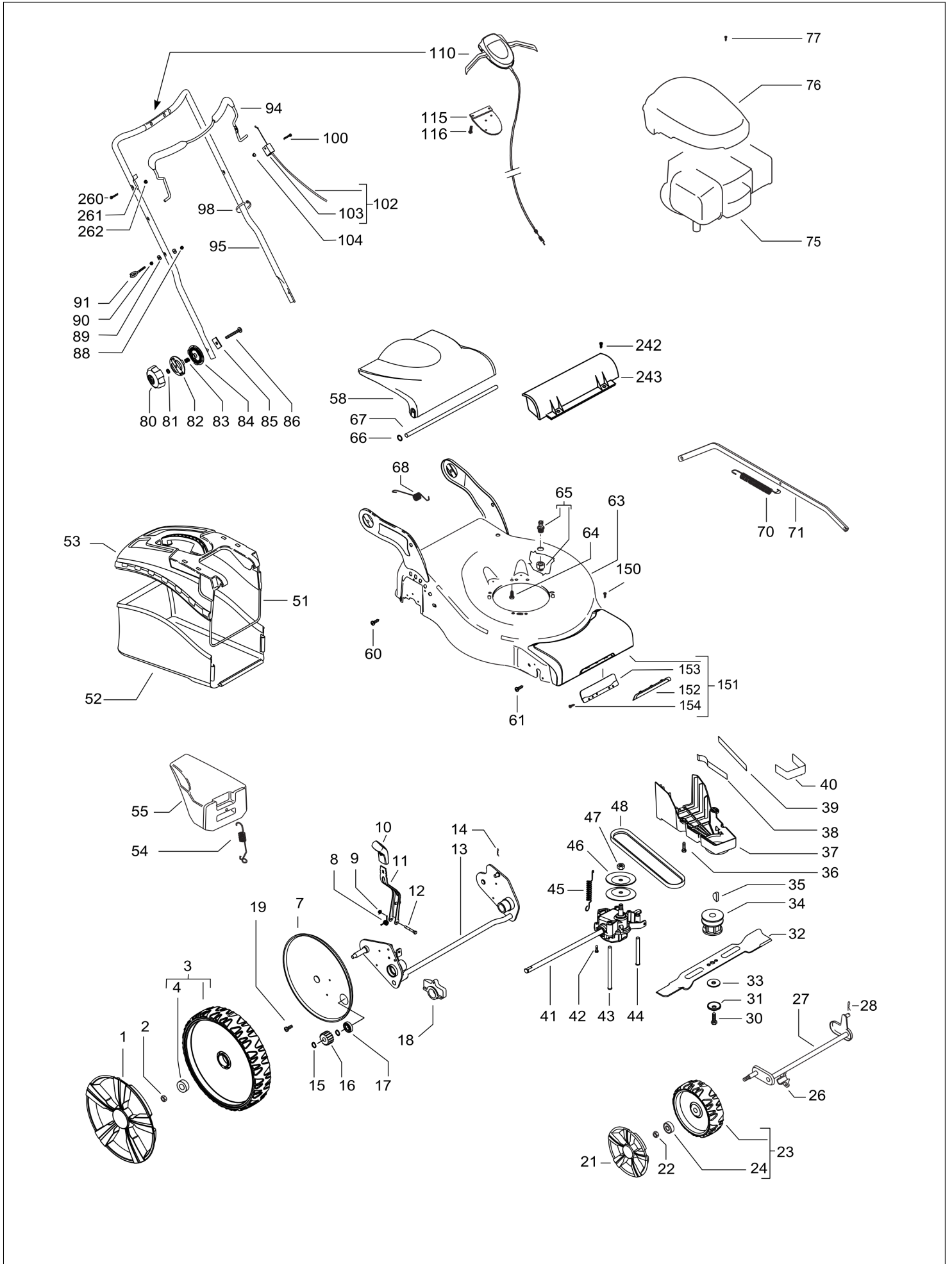
**Brand**

McCulloch

**Number of Pages 1 of 3**

<b>Factory:</b>	<b>IIQ - Valmadrera</b>	<b>Product Group:</b>	<b>OP 93</b>
<b>Publication Number:</b>	<b>MIPL2014_V110000001</b>	<b>Petrol Portable</b>	
<b>Publication Date:</b>	<b>10/03/14</b>	<b>Sub Group</b>	<b>1071</b>

HUSQVARNA ITALIA SPA



## HUSQVARNA ITALIA SPA

Item	PN	Description	Qty	Item	PN	Description	Qty
1	574 39 66-01	wheel cover Ø280	2	55	531 21 06-17	mulching plug	1
2	504 85 78-01	nut M8, self locking, flanged	2	58	574 61 02-01	safety flap	1
3	574 45 12-01	wheel assy Ø280	2	60	531 20 66-77	screw 4.8x19, self threading	2
4	531 20 87-78	ball bearing	4	61	525 43 31-01	screw 4x16, self threading	4
7	504 53 99-01	dust shield Ø280	2	63	581 29 20-02	deck	1
8	583 95 13-02	spring, wheel regulator lever	1	64	531 21 28-51	screw 3/8" + split washer	3
9	531 20 84-92	nut M5, self locking	1	65	531 20 58-48	snap on connector 1/2"	1
10	580 46 24-01	handle, wheel regulator	1	66	584 81 69-03	starlock	2
11	581 17 86-01	wheel regulator lever	1	67	531 21 14-41	safety flap bar	1
12	538 23 58-07	screw M5x45	1	68	531 21 18-40	spring	1
13	510 09 28-01	rear axle	1	70	579 24 53-02	wheel regulation spring	1
14	531 20 66-53	cotter pin	1	71	580 96 33-01	wheel regulation bar	1
15	531 20 87-72	seeger	4	75	————	engine, Honda, 160S4LESD	1
16	544 34 23-01	gear	2	76	580 29 01-01	engine shroud	1
17	531 20 87-78	ball bearing	2	77	580 76 87-01	engine shroud screw	3
18	531 20 59-44	rear axle housing	2	80	580 42 43-01	knob	2
19	531 20 78-56	screw M5x10	4	81	531 20 49-22	washer	2
21	574 39 64-01	wheel cover Ø190	2	82	531 21 14-74	locking disc, outer	2
22	504 85 78-01	nut M8, self locking, flanged	2	83	531 21 14-76	spring	2
23	574 45 09-01	wheel assy Ø190	2	84	531 21 14-73	locking disc, inner	2
24	531 20 87-78	ball bearing	4	85	531 21 15-81	plate	2
26	577 38 42-01	front axle housing	2	86	581 25 95-01	screw M8x55	2
27	504 85 65-01	front axle	1	88	531 20 84-91	nut M6 self	1
28	531 20 66-53	cotter pin	1	89	531 20 49-61	washer	2
30	531 20 80-08	screw, 3/8"	1	90	531 20 71-65	nut M6	1
31	531 20 72-37	spring washer	1	91	531 20 51-69	starter cable guide	1
32	580 25 92-02	blade	1	94	580 84 91-04	brake lever	1
33	531 20 72-43	washer	1	95	580 33 36-02	handle	1
34	504 59 12-01	blade support	1	98	531 20 55-81	zip tie	2
35	504 59 14-01	key	1	100	580 83 36-01	screw	1
36	531 20 78-56	screw 5x10	3	102	580 85 34-01	brake cable	1
37	544 46 22-01	belt cover	1	103	531 20 80-43	cable support	1
38	504 04 61-01	belt guide	1	104	581 55 12-01	nut	1
39	544 46 25-01	belt guide	1	110	580 68 39-01	dual trigger control assy	1
40	504 05 66-01	belt guide	1	115	577 70 14-01	dual trigger plate	1
41	504 54 14-02	gear box	1	116	532 18 16-98	screw	4
42	510 03 75-01	screw 4x16, self threading	2	150	576 04 74-01	screw	2
43	544 93 44-01	belt guide	1	151	575 56 21-04	front cover	1
44	544 93 43-01	belt guide	1	152	574 37 52-01	front cover plate	1
45	544 93 47-01	gear box spring	1	153	574 72 17-01	back plate	1
46	504 54 79-01	pulley plate	2	154	575 95 57-01	screw	2
47	504 54 80-01	nut	1	242	576 04 74-01	screw M5x16	2
48	504 03 48-01	belt Z28 10X710	1	243	579 30 09-01	grass seal	1
51	574 86 94-01	sack frame	1	260	580 83 36-02	screw	1
52	574 86 96-02	sack	1	261	532 43 00-34	brake lever support	1
53	574 61 03-01	hard top	1	262	581 55 12-01	nut	1
54	522 85 77-01	spring, mulching plug	1				