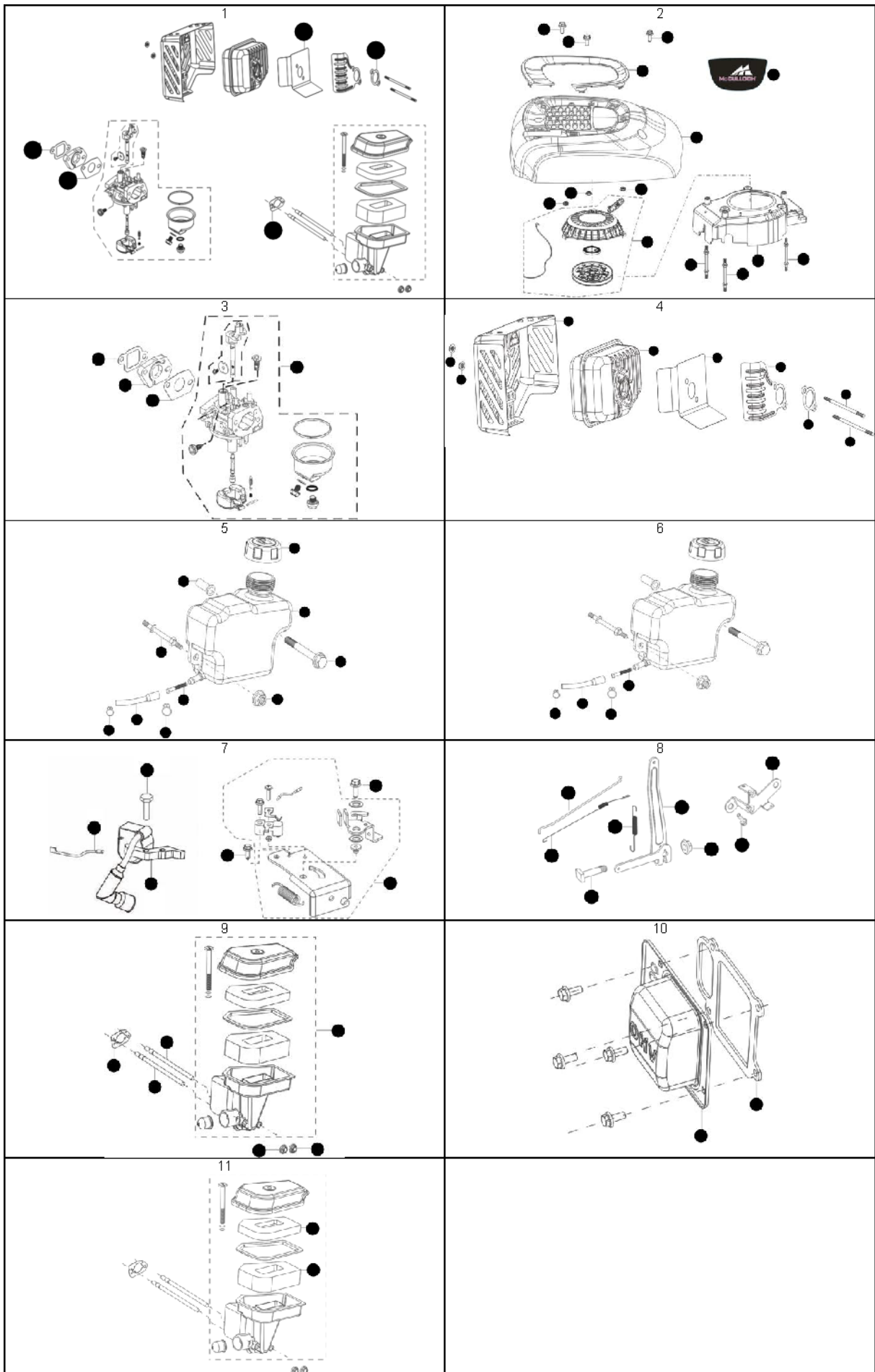




SPARE PARTS LIST

LAWN MOWERS: CONSUMER
WALK-BEHINDS

M46-110 CLASSIC, 96762150100,
2016-02

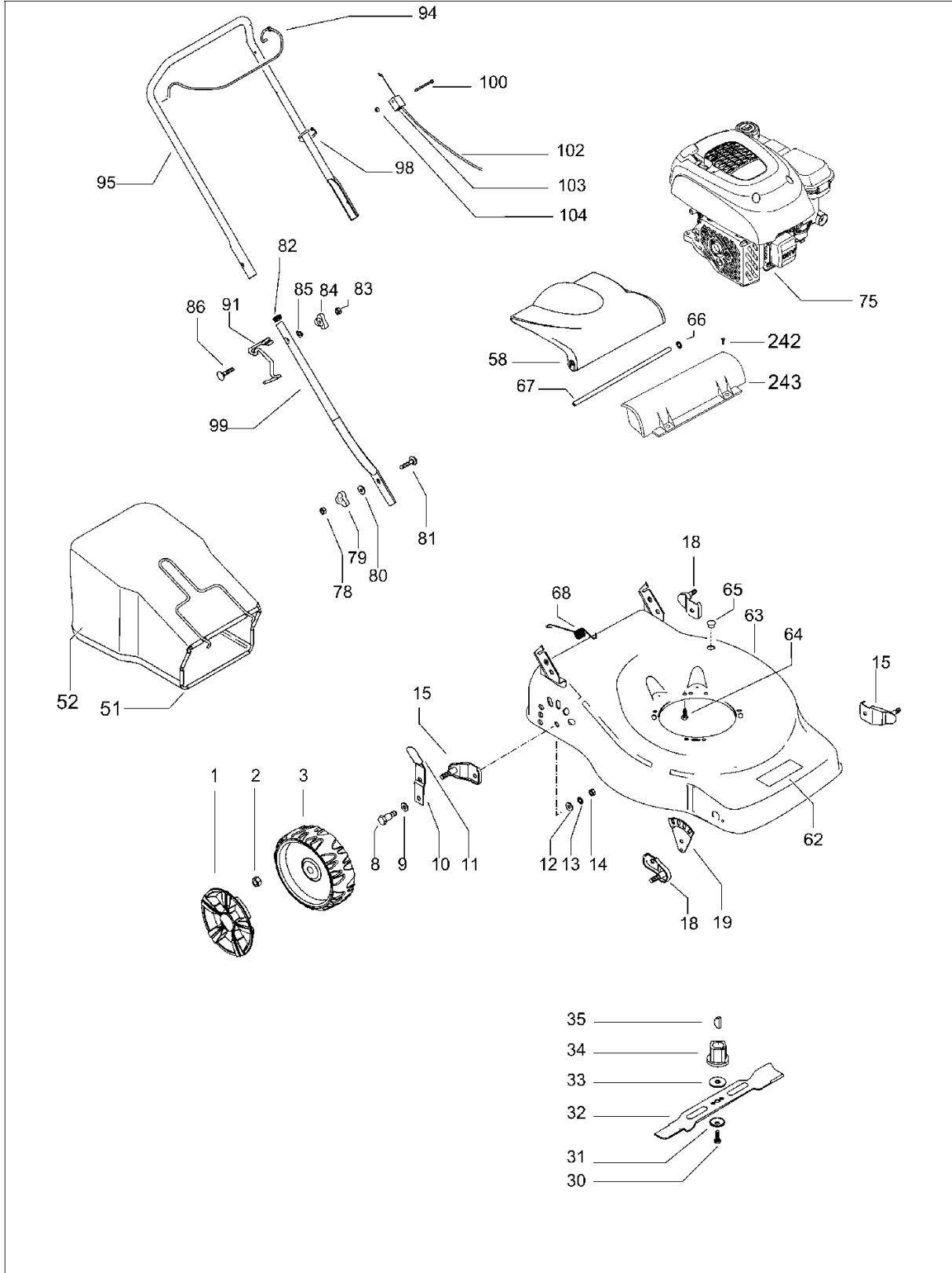


ENGINE

M46-110 CLASSIC, 96762150100, 2016-02

Ref	Part No	Description	Remark	QTY KIT
1	579 82 02-02	GASKET KIT		1
2	579 82 02-03	SHROUD KIT		1
3	579 82 02-04	CARBURETTOR KIT		1
4	579 82 02-05	MUFFLER KIT		1
5	579 82 02-06	FUEL TANK KIT		1
6	579 82 02-07	FUEL FILTER KIT		1
7	579 82 02-08	IGNITION KIT		1
8	579 82 02-09	GOVERNOR KIT		1
9	579 82 02-10	AIR INTAKE KIT		1
10	579 82 02-11	CYLINDER HEAD KIT		1
11	579 82 02-13	AIR FILTER		1
-	579 82 02-12	DIPSTICK		1
-	579 82 02-14	FUEL CAP		1

HUSQVARNA ITALIA SPA



PRODUCT COMPLETE

M46-110 CLASSIC, 96762150100, 2016-02

Ref	Part No	Description	Remark	QTY KIT
1	574 39 63-01	HUB CAP		4
2	504 85 78-01	NUT		4
3	574 41 49-04	WHEEL		4
8	531 20 49-12	SCREW		4
9	588 23 42-02	WASHER		2
10	586 93 28-01	LEVER		4
11	574 61 05-01	KNOB		4
12	531 20 79-89	WASHER		4
13	531 20 89-74	WASHER		4
14	531 20 79-78	NUT		4
15	504 85 16-01	SUPPORT WHEEL		2
18	504 85 15-01	SUPPORT WHEEL		2
19	531 21 29-87	DIAMOND BLADE		2
30	531 20 80-08	SCREW		1
31	531 20 72-37	WASHER		1
32	581 18 89-10	MOWER BLADE		1
33	531 20 72-43	WASHER		1
34	531 20 72-42	ADAPTER		1
35	505 29 09-01	KEY		1
51	531 21 34-67	FRAME		1
52	579 81 63-01	COLLECTOR		1
58	574 61 02-01	HATCH		1
63	531 21 24-77	COVER		1
62	581 02 17-01	DECAL		1
64	531 21 28-51	SCREW		3
65	531 20 53-18	PLUG		1
66	584 81 69-03	LOCKWASHER		2
67	531 20 50-60	SHAFT		1
68	531 20 59-99	SPRING		1
75	579 82 02-01	ENGINE ASSY		1
78	531 20 79-82	NUT		2
79	531 20 49-23	WING NUT		2
80	531 20 49-22	WASHER		2
81	531 20 49-21	SCREW		2
82	531 20 89-50	PLUG		2
83	531 20 79-82	NUT		2
84	531 20 49-23	WING NUT		2
85	531 20 70-90	WASHER		2
86	531 20 70-89	SCREW		2
91	504 70 86-01	HOOK		1
94	504 70 83-04	HANDLE		1
95	504 70 80-01	HANDLE		1
98	531 20 55-81	CLIP		2
99	531 20 60-71	HANDLE		2
100	580 83 36-01	SCREW EHHM		1
102	531 21 35-22	BRAKE WIRE		1
103	531 20 80-43	BRACKET		1
242	576 13 60-06	SCREW		2
104	581 55 12-01	HEXAGON LOCKING NUT		1
243	579 30 09-01	SEAL		1