

**ILLUSTRATED PARTS LIST**

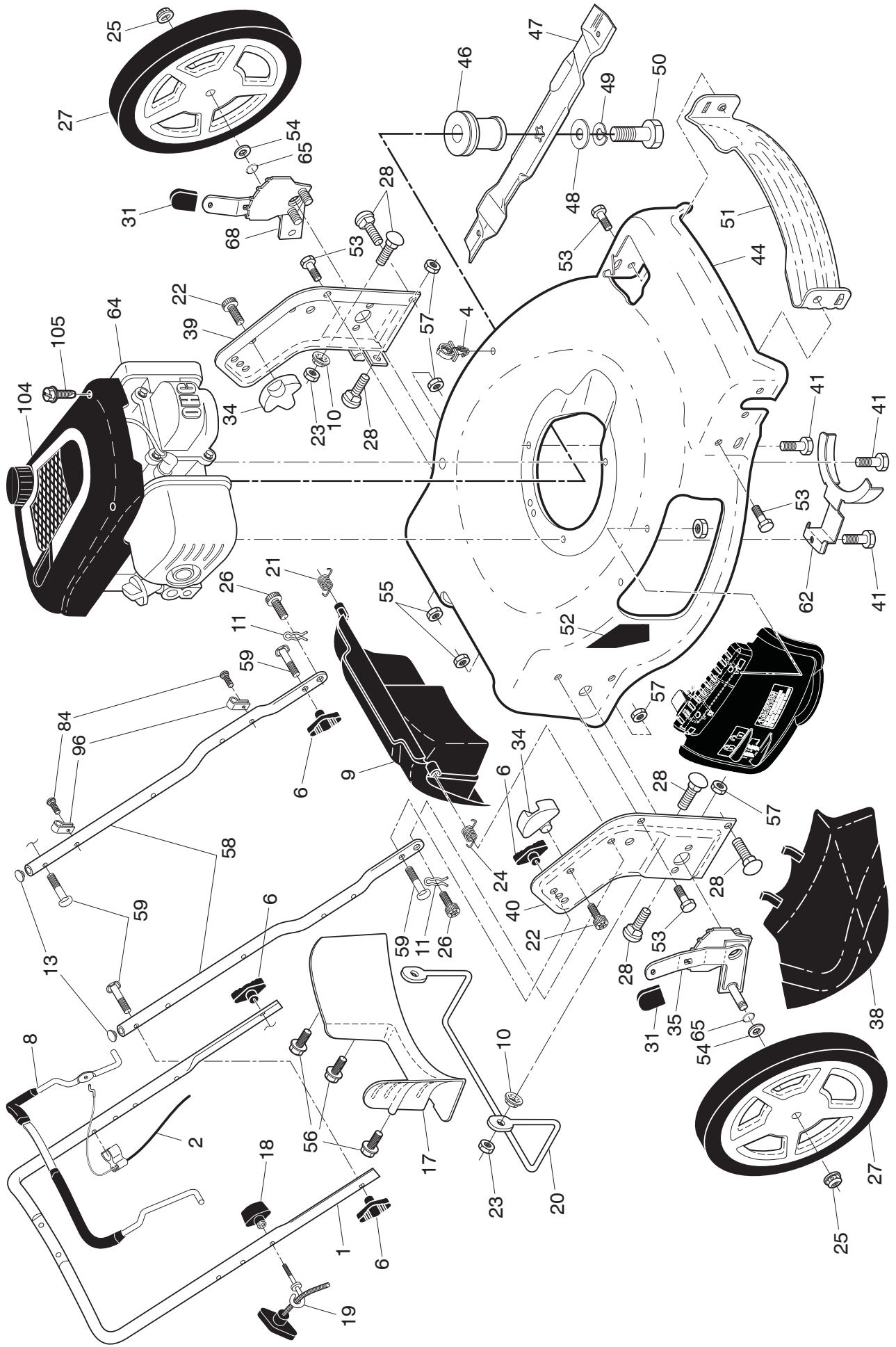


**ROTARY LAWN MOWER**

**MODEL NUMBER M56-190AWFPX**

**MFG. ID. NUMBER 96141026206**

**MCCULLOCH ROTARY LAWN MOWER - MODEL NUMBER M56-190AWFPX (MFG. ID. NO. 96141026206)**



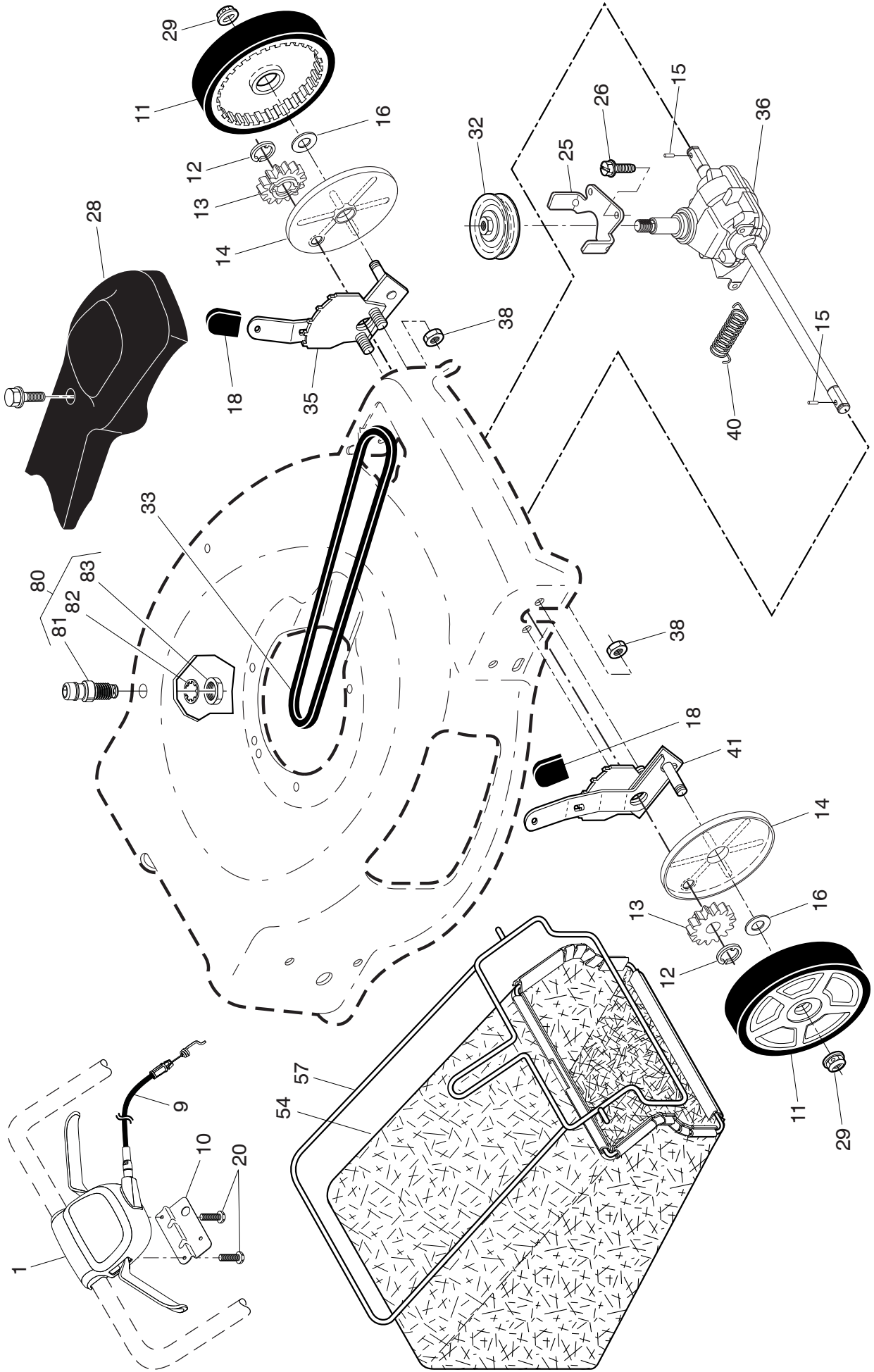
# M<sup>o</sup>CULLOCH ROTARY LAWN MOWER - MODEL NUMBER M56-190AWFPX (MFG. ID. NO. 96141026206)

KEY NO.	PART NO.	DESCRIPTION	KEY NO.	PART NO.	DESCRIPTION
1	585 85 48-05	Upper Handle	46	581 47 33-01	Blade Adapter / Pulley
2	532 40 80-47	Cable, Engine Zone Control	47	580 24 40-01	Blade, 22"
4	532 14 50 06	Guide, Cable	48	532 85 10-74	Washer, Hardened
6	532 19 19-38	Handle Knob	49	532 85 02-63	Washer, Helical
8	587 68 93-03	Control Bar, Overmolded	50	532 85 10-84	Screw, Machine, Hex Head 3/8-24 x 1-3/8 Grade 8
9	532 42 63-00	Rear Door Assembly	51	532 43 05-99	Front Baffle
10	532 42 30-63	Palnut 5/16"	52	532 18 21-66	Decal, Danger
11	532 42 55-75	Hairpin, Door/Handle Pivot	53	817 00 05-10	Screw 1/4-20 x 1/2
13	532 43 75-16	Plug, Handle Bar	54	532 08 83-48	Washer, Flat
17	532 42 73-07	Rear Baffle	55	532 19 17-30	Nut, Hex, Flanged 1/4-20
18	581 91 26-01	T-Knob	56	817 41 13-12	Screw, Hex Washer Head #13 x 3/4
19	581 90 21-01	Rope Guide	57	532 15 53-77	Nut, Hex 3/8-16
20	532 42 24-67	Foot Guard	58	585 90 82-02	Lower Handle
21	532 41 99-49	Spring, Rear Door, LH, Black	59	532 19 15-74	Handle Bolt
22	532 14 18-41	Screw, Panhead, Torx #20	62	532 43 50-59	Belt Retainer
23	873 97 05-00	Nut, Hex	64	- - -	Engine, Honda, Model Number GCV190-AS3LE (order parts from Engine manufacturer)
24	532 41 99-48	Spring, Rear Door, RH, Grey	65	532 19 74-80	O-Ring
25	532 40 91-49	Nut, Hex, Flanged	68	532 43 11-41	Wheel Adjuster, Rear, LH
26	532 41 99-45	Screw, Door/Handle Pivot	84	532 42 81-24	Fastener, Push
27	581 01 03-05	Wheel & Tire Assembly, Rear	96	532 19 79-91	Clip, Cable
28	586 21 25-01	Bolt, Carriage 5/16-18 x 5/8	104	580 29 01-01	Shroud, Engine, McCulloch
31	532 08 78-77	Selector Knob	105	580 76 87-01	Mounting Screw, Engine Shroud
33	593 24 11-01	Mulcher Door Asm.	- -	532 42 38-49	Bag of Parts (Includes Key Numbers 6 and 59)
34	532 43 81-34	Pivot Bracket	- -	115 96 48-20	Operator's Manual, European
35	532 43 11-40	Wheel Adjuster, Rear, RH	- -	115 96 48-10	Operator's Manual, Scandinavian
38	532 42 61-29	Discharge Deflector	- -	115 96 48-50	Operator's Manual, East Bloc
39	585 90 07-02	Handle Bracket, LH	- -	115 96 48-40	Operator's Manual, Baltic
40	585 90 08-02	Handle Bracket, RH	- -	115 96 48-53	Operator's Manual, Ukrainian
41	532 15 04-06	Screw, Dogpoint 3/8-16 x 1-1/8			
44	532 43 17-79	Kit, Lawn Mower Housing			

**NOTE:** All component dimensions given in U.S. inches. 1 inch = 25.4 mm

**IMPORTANT:** Use only Original Equipment Manufacturer (O.E.M.) replacement parts. Failure to do so could be hazardous, damage your lawn mower and void your warranty.

**McCULLOCH ROTARY LAWN MOWER - MODEL NUMBER M56-190AWFPX (MFG. ID. NO. 96141026206)**



**M<sup>c</sup>CULLOCH ROTARY LAWN MOWER - MODEL NUMBER M56-190AWFPX (MFG. ID. NO. 96141026206)**

KEY PART NO.	PART NO.	DESCRIPTION	KEY PART NO.	PART NO.	DESCRIPTION
1	501 40 78-05	Drive Control Assembly (Includes Cable)	29	532 40 91-48	Locknut, Hex
9	532 43 16-49	Cable, Drive Control	32	586 98 97-01	Drive Pulley
10	587 24 93-02	Mounting Braacket, Drive Control	33	532 42 66-09	V-Belt
11	581 00 92-05	Wheel & Tire Assembly, Front	35	581 49 79-07	Wheel Adjuster Assembly, Front, LH
12	812 00 00-58	E-Ring	36	589 60 06-01	Gear Case Assembly, Complete
13	532 40 38-49	Pinion	38	532 43 81-30	Locknut, Hex 1/4-20
14	581 84 04-01	Dust Cover	40	532 40 65-58	Spring
15	532 40 48-45	Pawl, Drive	41	581 49 79-08	Wheel Adjuster Assembly, Front, RH
16	532 06 77-25	Washer, Flat 3/8	54	580 94 73-06	Grassbag
18	532 08 78-77	Selector Knob	57	585 05 47-02	Frame, Grassbag
20	532 18 16-98	Screw #8 x 5/8	80	532 43 84-89	Water Washout Assembly
25	532 43 17-11	Belt Keeper	81	532 43 49-94	Fitting, Water Washout
26	532 16 34-09	Screw, Hi-Lo Thread #12 x 5/8	82	532 41 55-85	Washer, Lock, Internal Tooth
28	587 99 78-01	Drive Cover Assembly (Includes Mounting Screw and Pushnut)	83	532 41 55-86	Locknut, Hex, with O-Ring

**NOTE:** All component dimensions given in U.S. inches. 1 inch = 25.4 mm

**IMPORTANT:** Use only Original Equipment Manufacturer (O.E.M.) replacement parts. Failure to do so could be hazardous, damage your lawn mower and void your warranty.