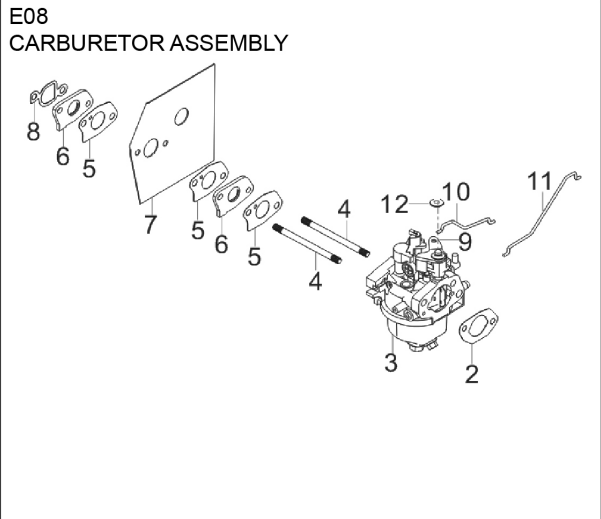
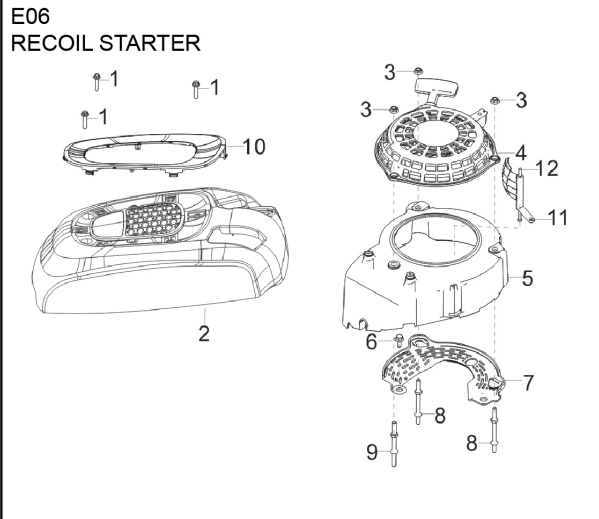
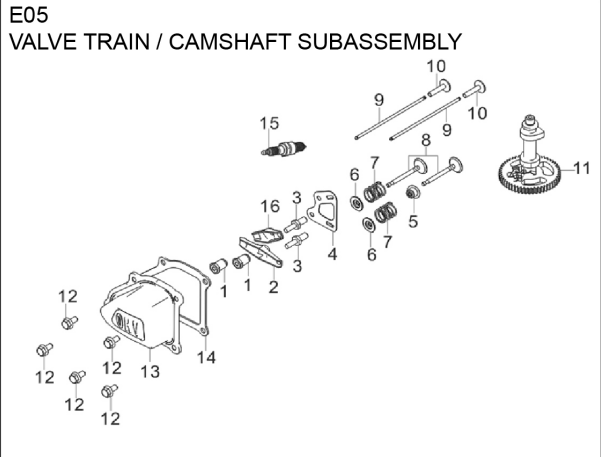
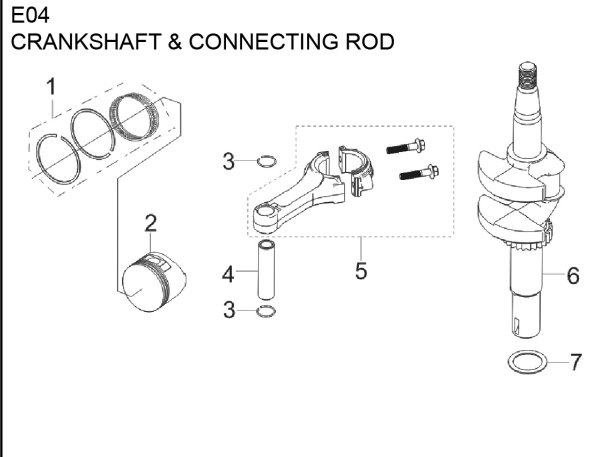
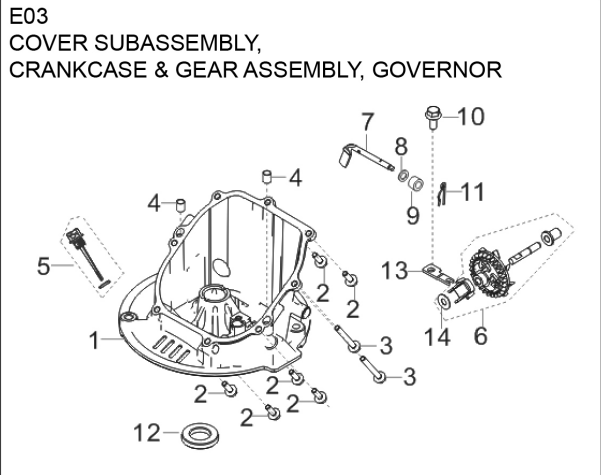
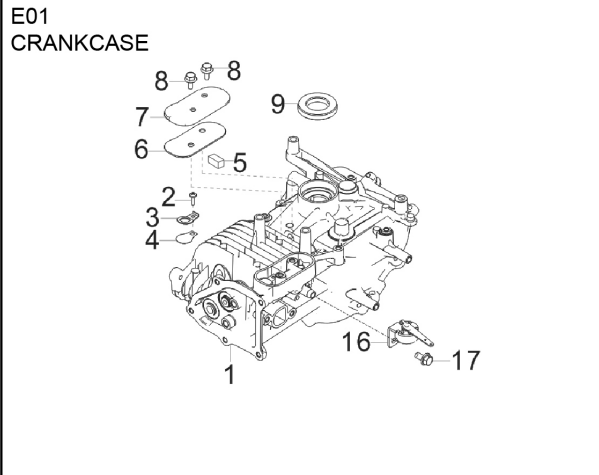




SPARE PARTS LIST

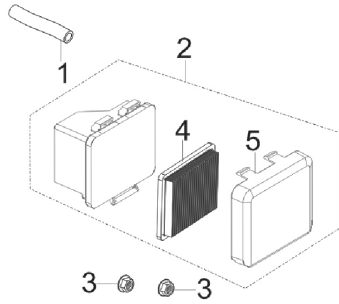
LAWN MOWERS: CONSUMER
WALK-BEHINDS

M53-174 WRE Classic, 96768280100,
2018-01

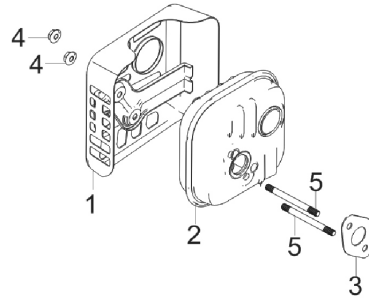


Ref	Part No	Description	Remark	QTY	KIT
	593 05 41-01	CRANKCASE	Crankcase	1	E01 - 1
	593 05 46-01	CRANKCASE KIT	Misc Crankcase Parts Kit	1	E01 - 2 to 9, 16, 17
	593 05 48-01	CRANKSHAFT SYSTEM	Crankcase Cover	1	E03 - 1
	593 05 58-01	GOVERNOR KIT	Govenor and Oil Seal Kit	1	E03 - 2, 3, 4, 6 to 14
	593 05 50-01	DIPSTICK	Dipstick	1	E03 - 5
	593 05 52-01	CRANKSHAFT KIT	Crankshaft Kit	1	E04 - 6, 7
	593 05 62-01	PISTON ASSY	Piston & Rod Kit	1	E04 - 1 to 5
	593 05 75-01	CAMSHAFT	Camshaft and Valve Train Kit	1	E05 - 1 to 16
	593 05 78-01	COVER KIT	Top Cover Kit	1	E06 - 1, 2, 10
	593 05 80-01	STARTER ASSY	Starter Kit	1	E06 - 3 to 9, 11, 12
	593 05 82-01	CARBURETTOR KIT	Carburetor Kit	1	E08 - 2 to 12

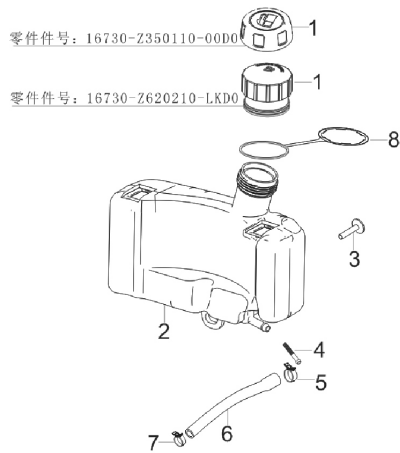
E09
AIR CLEANER



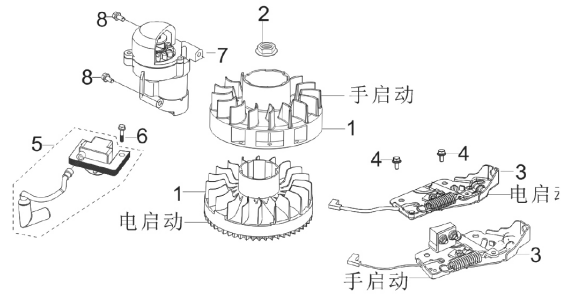
E10
MUFFLER



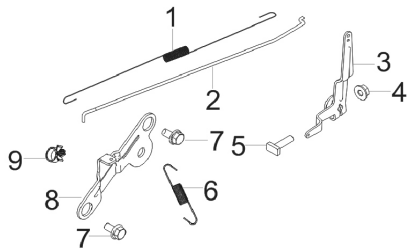
E11
FUEL TANK



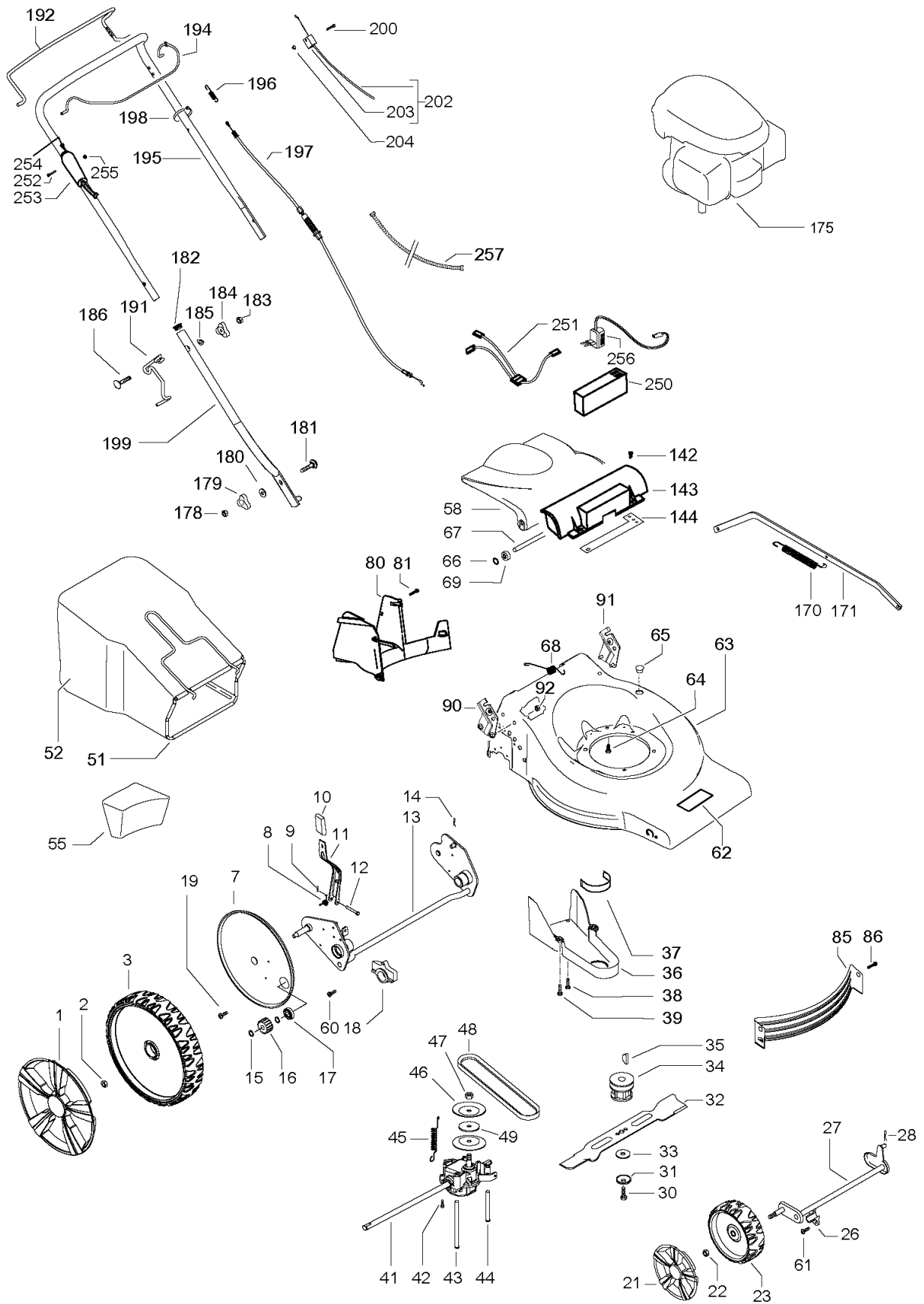
E12
FLYWHEEL, IMPELLER, STARTER PULLEY, IGNITION COIL



E13
THROTTLE CONTROL ASSEMBLY



Ref	Part No	Description	Remark	QTY	KIT
	593 05 84-01	AIR FILTER ASSY	Air Cleaner Kit	1	E09 - 1, 2, 3
	593 05 87-01	AIR CLEANER	Air Cleaner Element	1	E09 - 4
	593 05 89-01	MUFFLER KIT	Muffler Kit	1	E10 - 1 to 5
	593 05 92-01	FUEL TANK KIT	Fuel Tank Kit	1	E11 - 1 to 8
	593 05 95-01	FUEL CAP	Fuel Cap	1	E11 - 1
	593 05 97-01	FLYWHEEL ASSY	Flywheel Kit	1	E12 - 1, 2
	593 05 99-01	IGNITION KIT	Ignition Coil Kit	1	E12 - 5, 6
	593 06 01-01	BRAKE ASSY	Brake Kit	1	E12 - 3, 4
	593 06 02-01	ELECTRIC STARTER	Electric Starter Kit (only for electric start models)	1	E12 - 7, 8
	593 06 04-01	THROTTLE ASSY	Throttle Control Kit	1	E13 - 1 to 9



PRODUCT COMPLETE

M53-174 WRE Classic, 96768280100, 2018-01

Ref	Part No	Description	Remark	QTY KIT
1	574 39 66-01	HUB CAP	d.280	2
2	504 85 78-01	NUT	M8, self locking, flanged	2
3	574 41 53-04	WHEEL	d.280	2
7	504 53 99-01	HUB CAP	d.280	2
8	583 95 13-02	SPRING		1
9	531 20 74-08	PIN RETAINING SCREW		1
10	574 61 05-01	KNOB		1
11	582 75 93-01	LEVER ASSY		1
12	587 19 82-01	PEN		1
13	581 73 35-01	REAR AXLE		1
14	531 20 66-53	PIN		1
15	531 20 87-72	WASHER		4
16	582 70 17-01	PINION		2
17	531 20 87-78	BEARING		2
18	531 20 59-44	SUPPORT		2
19	531 20 78-56	SCREW	M5x10	4
21	574 39 64-01	HUB CAP	d.190	2
22	504 85 78-01	NUT	M8, self locking, flanged	2
23	574 41 50-04	WHEEL	d.190	2
26	577 38 42-01	SUPPORT		2
27	573 97 60-01	FRONT AXLE		1
28	531 20 66-53	PIN		1
30	531 20 80-08	SCREW	3/8"	1
31	531 20 72-37	WASHER		1
32	581 18 86-10	MOWER BLADE		1
33	531 20 72-43	WASHER		1
34	581 84 30-01	BLADE SUPPORT		1
35	505 29 09-01	KEY		1
36	502 09 37-01	BELT GUARD		1
37	501 18 90-02	BELT GUIDE		1
38	817 41 13-12	SCREW		1
39	531 20 78-56	SCREW	5x10	2
41	577 11 74-01	GEARBOX		1
42	510 03 75-01	SCREW	4x16, self threading	2
43	577 92 85-01	BELT GUIDE		1
44	544 93 43-01	BELT GUIDE		1
45	544 93 47-01	SPRING		1
46	504 54 79-01	PULLEY		2
47	504 54 80-01	NUT		1
48	531 21 31-31	BELT	Z31 10X775	1
49	538 23 52-87	WASHER		1
51	531 21 32-62	BAG FRAME		1
52	589 46 26-01	GRASSBAG		1
55	579 67 94-01	PLUG		1
58	544 25 55-01	HATCH		1
60	531 20 66-77	SCREW	4.8x19, self threading	2
61	525 43 31-01	SCREW	4x16, self threading	4
62	581 02 17-01	DECAL	McCulloch	1
63	589 46 22-02	CHASSIS		1
64	532 15 04-06	BOLT	3/8"	3
65	531 20 53-18	PLUG		1
66	584 81 69-03	LOCKWASHER		2
67	531 21 14-41	TIE ROD		1
68	531 20 59-99	SPRING		1
69	531 21 19-66	SPACER		1
80	502 09 42-01	INSERT		1
81	532 19 41-89	SCREW		6
85	502 09 33-01	BAFFLE		1
86	817 00 05-10	BOLT		2
90	582 75 11-02	HANDLE BRACKET	right	1
91	582 75 10-02	HANDLE BRACKET	left	1
92	582 75 89-01	HEXAGON NUT FLANGE	M8	4
142	576 04 74-01	SCREW CRPANT	M5x16	4
143	580 70 50-01	SEAL		1

PRODUCT COMPLETE

M53-174 WRE Classic, 96768280100, 2018-01

Ref	Part No	Description	Remark	QTY KIT
144	590 08 32-02	BRACKET		1
170	583 96 87-01	SPRING		1
171	581 59 07-01	ROD		1
175	591 44 06-05	ENGINE		1
178	531 20 79-82	NUT	M8	2
179	531 20 49-23	WING NUT		2
180	531 20 49-22	WASHER		2
181	531 20 49-21	SCREW	M8x25	2
182	531 20 89-50	PLUG		2
183	531 20 79-82	NUT	M8	2
184	531 20 49-23	WING NUT		2
185	531 20 70-90	WASHER		2
186	531 20 70-89	SCREW	M8x50	2
191	504 70 86-01	HOOK		1
192	504 70 84-01	HANDLE		1
194	504 70 83-04	HANDLE		1
195	504 70 80-01	HANDLE	upper half	1
196	580 76 19-01	SPRING		1
197	544 90 80-02	CABLE		1
198	531 20 55-81	CLIP		2
199	531 20 60-71	HANDLE	lower half	2
200	580 83 36-01	SCREW EHHM	M5x40	1
202	582 19 21-02	CABLE ASSY		1
203	531 21 26-89	CASING		1
204	581 55 12-01	HEXAGON LOCKING NUT		1
250	580 74 75-01	BATTERY		1
251	581 64 66-02	HARNESS ASSY	wires	1
252	544 21 84-40	SCREW ITXSCM		1
253	587 93 43-01	STARTER ASSY		1
254	580 91 52-03	BUTTON		1
255	732 21 16-01	NUT		1
256	581 82 65-01	CHARGER		1
257	587 93 45-01	WIRING HARNESS		1