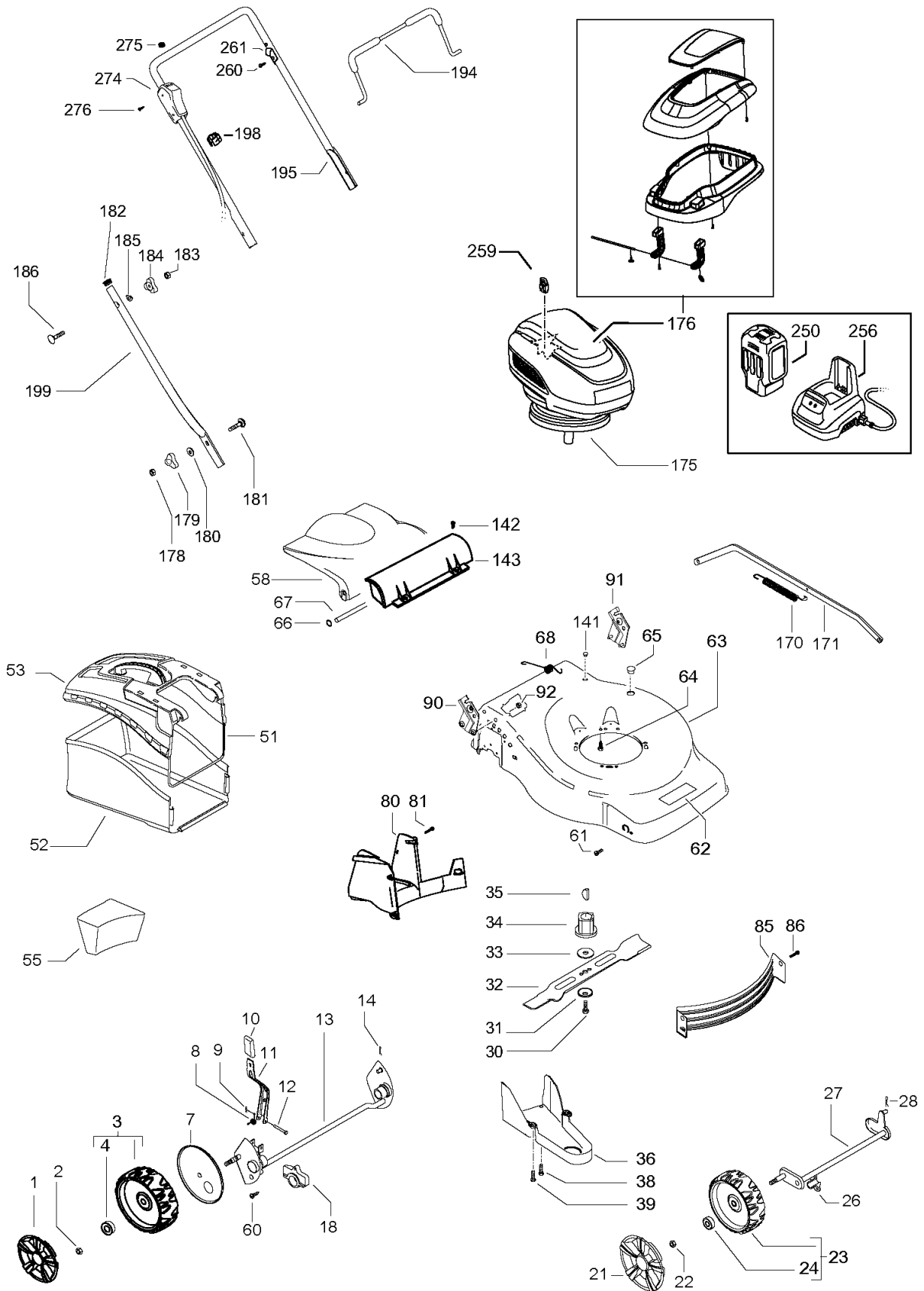




# SPARE PARTS LIST

LAWN MOWERS: CONSUMER  
WALK-BEHINDS

Li58-26 M46, 96791080100, 2019-02



PRODUCT COMPLETE

Li58-26 M46, 96791080100, 2019-02

Ref	Part No	Description	Remark	QTY	KIT
1	574 39 65-01	HUB CAP	d.210	2	
2	504 85 78-01	NUT	M8, self locking, flanged	2	
3	574 41 52-03	WHEEL	d.210	2	
4	531 20 87-78	BEARING		4	3
7	504 82 73-01	DUST COVER		2	
8	583 95 13-02	SPRING		1	
9	531 20 74-08	PIN RETAINING SCREW		1	
10	574 61 05-01	KNOB		1	
11	582 75 93-01	LEVER ASSY		1	
12	587 19 82-01	PIN		1	
13	596 81 62-01	REAR AXLE		1	
14	531 20 66-53	PIN		1	
18	531 20 59-44	SUPPORT		2	
21	574 39 64-01	HUB CAP	d.190	2	
22	504 85 78-01	NUT	M8, self locking, flanged	2	
23	574 45 09-02	WHEEL ASSY	d.190	2	
24	531 20 87-78	BEARING		4	23
26	577 38 42-01	SUPPORT		2	
27	504 85 65-01	FRONT AXLE ASSY		1	
28	531 20 66-53	PIN		1	
30	531 20 80-08	SCREW	3/8"	1	
31	531 20 72-37	WASHER		1	
32	581 18 89-10	MOWER BLADE		1	
33	531 20 72-43	WASHER		1	
34	531 20 72-42	ADAPTER		1	
35	505 29 09-01	KEY		1	
36	589 02 31-01	GUARD		1	
38	817 41 13-12	SCREW		1	
39	531 20 78-56	SCREW	5x10	2	
51	574 86 94-01	FRAME		1	
52	574 86 96-02	GRASSBAG		1	
53	574 61 03-01	GRASSBAG		1	
55	579 67 92-01	PLUG		1	
58	574 61 02-01	HATCH		1	
60	531 20 66-77	SCREW	4.8x19, self threading	2	
61	525 43 31-01	SCREW	4x16, self threading	4	
62	581 02 17-01	DECAL	McCulloch	1	
63	582 89 04-02	CHASSIS		1	
64	591 13 89-01	SCREW	3/8"	3	
65	597 01 75-01	PLUG		1	
66	584 81 69-03	LOCKWASHER		2	
67	531 20 50-60	SHAFT		1	
68	531 20 59-99	SPRING		1	
80	597 00 09-01	BAFFLE		1	
81	589 81 44-01	SCREW		5	
85	589 00 87-01	BAFFLE		1	
86	817 00 05-10	BOLT		2	
90	582 74 98-02	HANDLE BRACKET	right	1	
91	582 74 67-02	HANDLE BRACKET	left	1	
92	582 75 89-01	HEXAGON NUT FLANGE	M8	4	
141	531 20 51-53	PLUG		1	
142	576 13 60-06	SCREW	M5x8	2	
143	579 30 09-01	SEAL		1	
170	579 24 53-02	SPRING		1	
171	580 96 33-01	ROD		1	
175	590 91 75-12	MOTOR ASSY		1	
176	593915202	TBD	motor	1	175
178	531 20 79-82	NUT	M8	2	
179	531 20 49-23	WING NUT		2	
180	531 20 49-22	WASHER		2	
181	531 20 49-21	SCREW	M8x25	2	
182	531 20 89-50	PLUG		2	
183	531 20 79-82	NUT	M8	2	
184	531 20 49-23	WING NUT		2	

PRODUCT COMPLETE

Li58-26 M46, 96791080100, 2019-02

Ref	Part No	Description	Remark	QTY	KIT
185	531 20 70-90	WASHER		2	
186	531 20 70-89	SCREW	M8x50	2	
194	593 88 53-01	BAIL ARM ASSY		1	
195	594 08 44-02	HANDLE	upper half	1	
198	593 12 96-01	CABLE HOLDER		2	
199	531 20 60-71	HANDLE	lower half	2	
250	590 92 38-06	BATTERY		1	
256	590915118	TBD		1	
259	596 01 81-02	KEY		1	
260	532 17 88-48	SCREW		1	
261	532 12 51-62	PLATE		1	
274	593 85 21-02	SWITCHBOX ASSY	McCulloch switch	1	175
275	592 80 45-01	RING		1	274
276	593 01 34-01	SCREW		2	