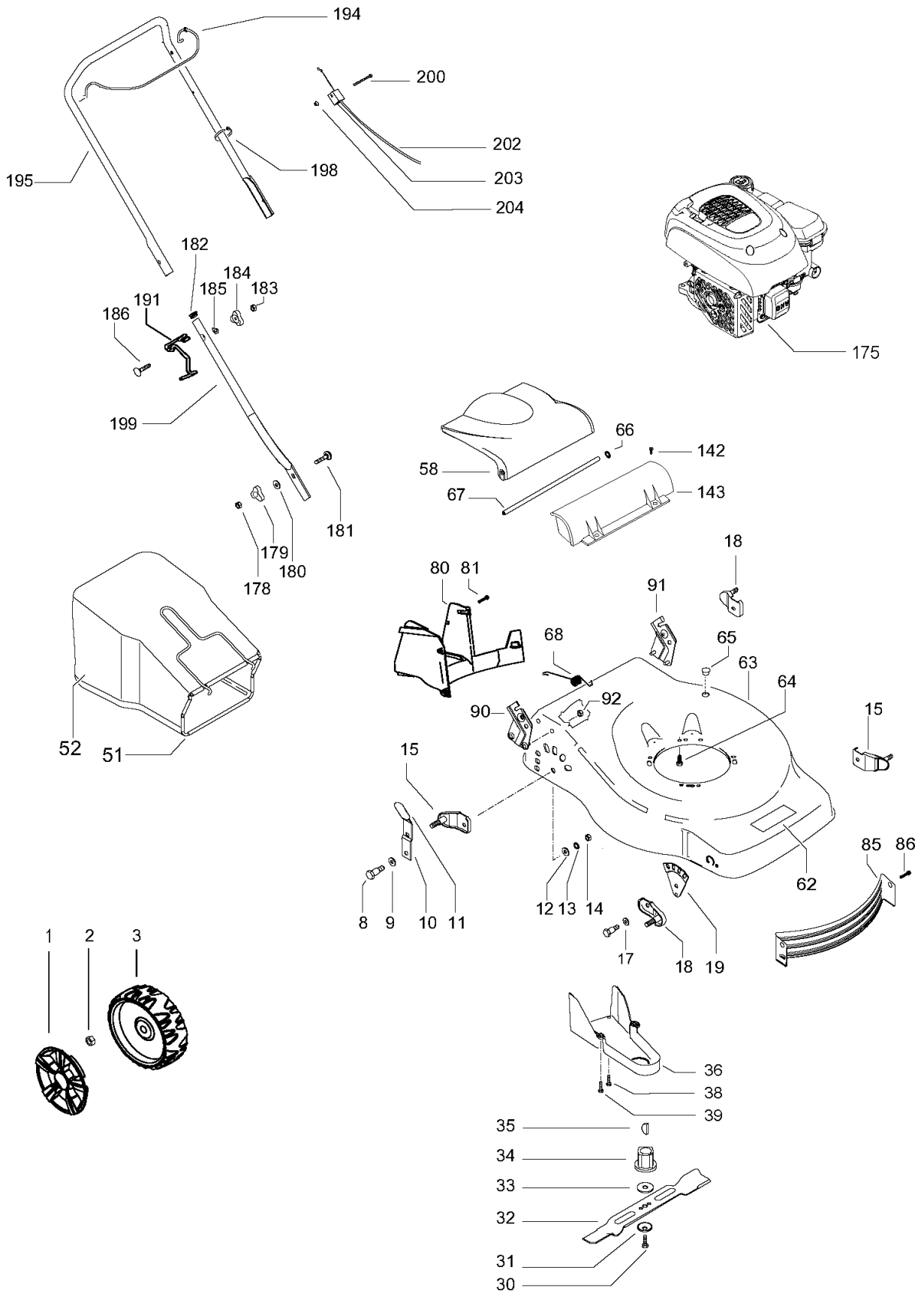




SPARE PARTS LIST

LAWN MOWERS: CONSUMER
WALK-BEHINDS

M46-120 Classic, 96779580101, 2019-02

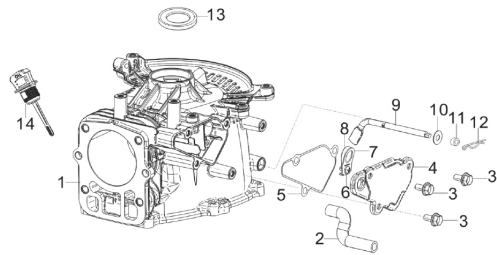


PRODUCT COMPLETE

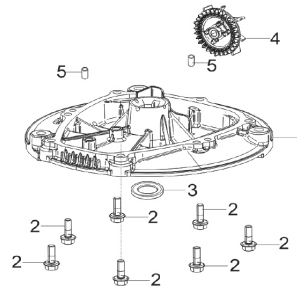
M46-120 Classic, 96779580101, 2019-02

| Ref | Part No | Description | Remark | QTY KIT |
|-----|--------------|---------------------|------------|---------|
| 1 | 574 39 63-01 | HUB CAP | d.170 | 4 |
| 2 | 504 85 78-01 | NUT | | 4 |
| 3 | 574 41 49-04 | WHEEL | d.170 | 4 |
| 8 | 531 20 49-12 | SCREW | M10x26.4 | 4 |
| 9 | 588 23 42-02 | WASHER | | 2 |
| 10 | 586 93 28-01 | LEVER | | 4 |
| 11 | 574 61 05-01 | KNOB | | 4 |
| 12 | 531 20 79-89 | WASHER | | 4 |
| 13 | 531 20 89-74 | WASHER | | 4 |
| 14 | 531 20 79-78 | NUT | M10x26.4 | 4 |
| 15 | 504 85 16-01 | SUPPORT WHEEL | | 2 |
| 17 | 588 23 42-01 | WASHER | | 2 |
| 18 | 504 85 15-01 | SUPPORT WHEEL | | 2 |
| 19 | 531 21 29-87 | TOOL | | 2 |
| 30 | 531 20 80-08 | SCREW | 3/8" | 1 |
| 31 | 531 20 72-37 | WASHER | | 1 |
| 32 | 581 18 89-10 | MOWER BLADE | | 1 |
| 33 | 531 20 72-43 | WASHER | | 1 |
| 34 | 531 20 72-42 | ADAPTER | | 1 |
| 35 | 505 29 09-01 | KEY | | 1 |
| 36 | 589 02 31-01 | GUARD | | 1 |
| 38 | 817 41 13-12 | SCREW | | 1 |
| 39 | 531 20 78-56 | SCREW | 5x10 | 2 |
| 51 | 582 51 82-01 | BAG FRAME | | 1 |
| 52 | 583 79 83-03 | GRASS BAG ASSY | | 1 |
| 58 | 574 61 02-01 | HATCH | | 1 |
| 62 | 581 02 17-01 | DECAL | McCulloch | 1 |
| 63 | 582 89 05-02 | CHASSIS | | 1 |
| 64 | 532 15 04-06 | BOLT | 3/8" | 3 |
| 65 | 597 01 75-01 | PLUG | | 1 |
| 66 | 584 81 69-03 | LOCKWASHER | | 2 |
| 67 | 531 20 50-60 | SHAFT | | 1 |
| 68 | 531 20 59-99 | SPRING | | 1 |
| 80 | 597 00 09-01 | BAFFLE | | 1 |
| 81 | 589 81 44-01 | SCREW | | 5 |
| 85 | 589 00 87-01 | BAFFLE | | 1 |
| 86 | 817 00 05-10 | BOLT | | 2 |
| 90 | 582 74 98-02 | HANDLE BRACKET | right | 1 |
| 91 | 582 74 67-02 | HANDLE BRACKET | left | 1 |
| 92 | 596 72 80-01 | NUT | M8 | 4 |
| 142 | 576 13 60-06 | SCREW | M5x8 | 2 |
| 143 | 579 30 09-01 | SEAL | | 1 |
| 175 | 591205509 | TBD | | 1 |
| 178 | 531 20 79-82 | NUT | M8 | 2 |
| 179 | 531 20 49-23 | WING NUT | | 2 |
| 180 | 531 20 49-22 | WASHER | | 2 |
| 181 | 531 20 49-21 | SCREW | M8x25 | 2 |
| 182 | 531 20 89-50 | PLUG | | 2 |
| 183 | 531 20 79-82 | NUT | M8 | 2 |
| 184 | 531 20 49-23 | WING NUT | | 2 |
| 185 | 531 20 70-90 | WASHER | | 2 |
| 186 | 531 20 70-89 | SCREW | M8x50 | 2 |
| 191 | 504 70 86-01 | HOOK | | 1 |
| 194 | 504 70 83-04 | HANDLE | | 1 |
| 195 | 504 70 80-01 | HANDLE | upper half | 1 |
| 198 | 531 20 55-81 | CLIP | | 2 |
| 199 | 531 20 60-71 | HANDLE | lower half | 2 |
| 200 | 580 83 36-01 | SCREW EHHM | | 1 |
| 202 | 582 19 21-02 | CABLE ASSY | | 1 |
| 203 | 531 20 80-43 | BRACKET | | 1 |
| 204 | 581 55 12-01 | HEXAGON LOCKING NUT | | 1 |

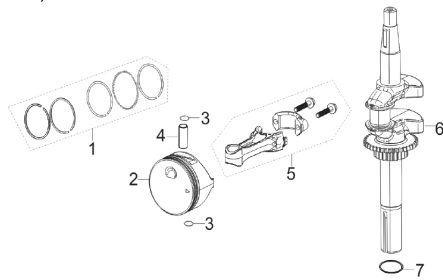
E01
CRANKCASE SUBASSEMBLY



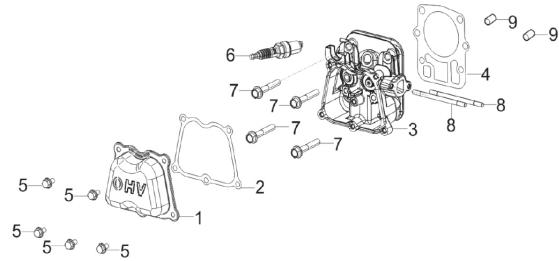
E02
CRANKCASE COVER SUBASSEMBLY



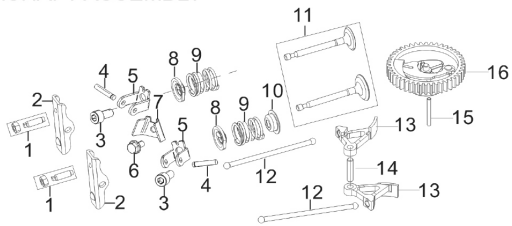
E03
PISTON, CONNECTING ROD & CRANKSHAFT



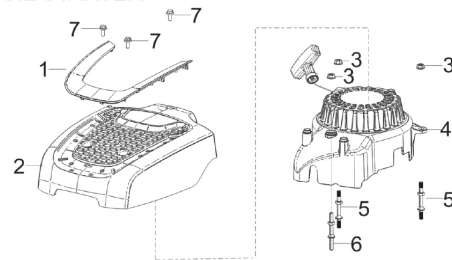
E04
CYLINDER HEAD SUBASSEMBLY & SPARK PLUG



E05
CAMSHAFT ASSEMBLY

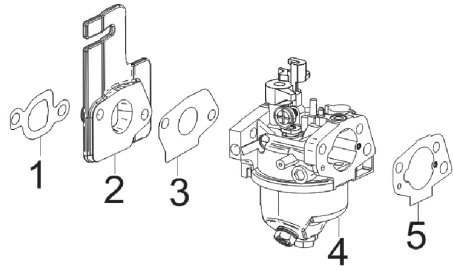


E06
RECOIL STARTER

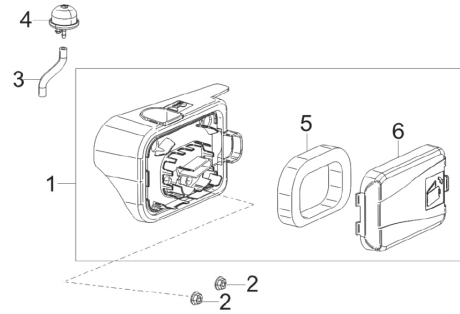


| Ref | Part No | Description | Remark | QTY | KIT |
|-----|--------------|-------------------|------------------------------|-----|------------------------------|
| | 593 05 40-01 | CRANKCASE | Crankcase | 1 | E01 - 1 |
| | 593 05 45-01 | CRANKCASE KIT | Misc Crankcase Parts Kit | 1 | E01 - 2-5 & 9-13 |
| | 593 05 49-01 | DIPSTICK | Dipstick | 1 | E01 - 14 |
| | 593 05 47-01 | CRANKSHAFT SYSTEM | Crankcase Cover | 1 | E02 - 1 |
| | 593 05 57-01 | GOVERNOR KIT | Govenor and Oil Seal Kit | 1 | E02 - 2-5 |
| | 594 98 51-01 | CRANKSHAFT ASSY | Crankshaft Kit | 1 | E03 - 6, 7 |
| | 593 05 61-01 | PISTON ASSY | Piston & Rod Kit | 1 | E03 - 1-5 |
| | 593 05 71-01 | PLUG | Spark Plug | 1 | E04 - 6 |
| | 593 05 73-01 | CYLINDER HEAD | Cylinder Head | 1 | E04 - 3 |
| | 593 05 74-01 | CAMSHAFT | Camshaft and Valve Train Kit | 1 | E04 - 1, 2, 4-9 & E05 - 1-16 |
| | 593 05 77-01 | COVER KIT | Top Cover Kit | 1 | E06 - 1, 2, 7 |
| | 593 05 79-01 | STARTER ASSY | Starter Kit | 1 | E06 - 3-6 |

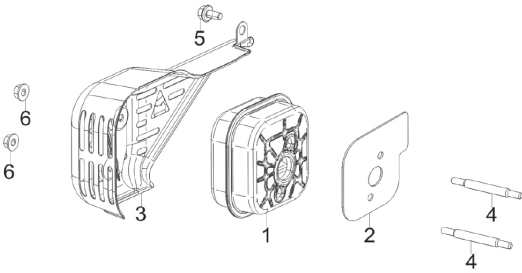
E07
CARBURETOR



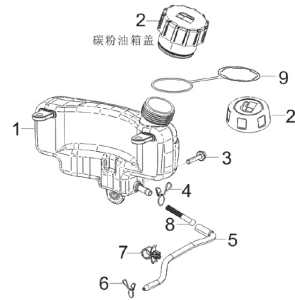
E08
AIR CLEANER



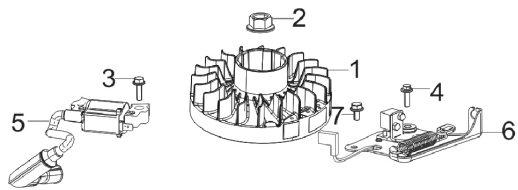
E09
MUFFLER



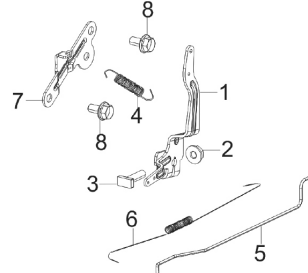
E10
FUEL TANK



E11
FLYWHEEL ASSEMBLY



E12
THROTTLE CONTROL ASSEMBLY



ENGINE RATO RVM120

M46-120 Classic, 96779580101, 2019-02

| Ref | Part No | Description | Remark | QTY | KIT |
|-----|--------------|-----------------|---|-----|-----|
| E07 | 594 98 38-01 | CARBURETTOR KIT | | 1 | 1-5 |
| E08 | 593 05 83-01 | AIR FILTER ASSY | #5 Air Cleaner Element 593058601 | 1 | 1-6 |
| E09 | 593 05 88-01 | MUFFLER KIT | | 1 | 1-6 |
| E10 | 594 98 44-01 | FUEL TANK | # 2 Fuel Cap US:594984801 EU:594984901 | 1 | 1-9 |
| E11 | 593 05 96-01 | FLYWHEEL ASSY | # 3,5 Ignition Coil Kit 593059801 # 4,6,7 Brake Kit 593060001 | 1 | 1-7 |
| E12 | 593 06 03-01 | THROTTLE ASSY | | 1 | 1-8 |